



US00D636775S

(12) **United States Design Patent**  
**Kuroda et al.**

(10) **Patent No.:** **US D636,775 S**  
(45) **Date of Patent:** **\*\* Apr. 26, 2011**

(54) **SCANNER**

(75) Inventors: **Satoshi Kuroda**, Kahoku (JP); **Hiroyuki Kuroda**, Kahoku (JP); **Minoru Sugitani**, Kahoku (JP); **Toshiki Satoji**, Milan (IT); **Alvise Gangarossa**, Milan (IT)

(73) Assignee: **PFU Limited**, Kahoku-shi (JP)

(\*\*) Term: **14 Years**

(21) Appl. No.: **29/364,502**

(22) Filed: **Jun. 24, 2010**

(30) **Foreign Application Priority Data**

Apr. 7, 2010 (JP) ..... 2010-008731

(51) **LOC (9) Cl.** ..... **14-02**

(52) **U.S. Cl.** ..... **D14/422; D14/453**

(58) **Field of Classification Search** ..... D14/420-425, D14/462-470, 389, 125, 399; D18/50, 54, D18/55, 53, 36-39, 14, 18-21, 49, 52, 51, D18/54.4; 358/400, 401, 448, 474, 486-488, 358/496; 382/312, 317, 321, 315; 400/613, 400/613.1-613.4, 690.1-690.4, 691-694, 400/88, 175; 399/107, 379, 380, 211, 212; 235/462.11, 462.41, 472.01, 470, 462.43; 361/680, 681

See application file for complete search history.

(56) **References Cited**

**U.S. PATENT DOCUMENTS**

D35,254 S	11/1901	Faber
D195,010 S	4/1963	Reick
D201,300 S	6/1965	Seely, Jr.
D208,294 S	8/1967	Dallaire
D248,243 S	6/1978	South
D272,429 S	1/1984	Trombley et al.
D284,565 S	7/1986	Trombley et al.
D289,780 S	5/1987	Kenney

D289,891 S	5/1987	Bielby	
D292,990 S	12/1987	Eliasson	
D297,465 S	8/1988	Nally et al.	
D300,918 S	5/1989	Turner	
D308,506 S	6/1990	Nozel et al.	
D308,696 S	6/1990	Tanizawa et al.	
D310,539 S	9/1990	Komada et al.	
D311,756 S	10/1990	Growth et al.	
D314,212 S	1/1991	Komada et al.	
D316,869 S *	5/1991	Sugawara et al.	D18/54
D361,402 S	8/1995	Herst et al.	
D362,014 S	9/1995	Ishibashi et al.	
D366,900 S *	2/1996	Pangburn et al.	D18/50
D373,595 S *	9/1996	Askren et al.	D18/50
D375,119 S *	10/1996	Pangburn	D18/50
D378,525 S	3/1997	Ito	
D378,829 S	4/1997	Aoyama et al.	
D382,256 S *	8/1997	Lin	D14/422
D388,182 S	12/1997	Payton et al.	
D401,617 S	11/1998	Miyazawa	
D401,965 S *	12/1998	Pangburn	D18/55
D402,686 S	12/1998	Miyazawa	
5,878,306 A	3/1999	Michlin	
D414,508 S *	9/1999	Pangburn	D18/55

(Continued)

*Primary Examiner* — Susan Moon Lee

(74) *Attorney, Agent, or Firm* — RatnerPrestia

(57) **CLAIM**

The ornamental design for a scanner, as shown and described.

**DESCRIPTION**

FIG. 1 is a front perspective view of a scanner showing our new design;

FIG. 2 is a front view thereof;

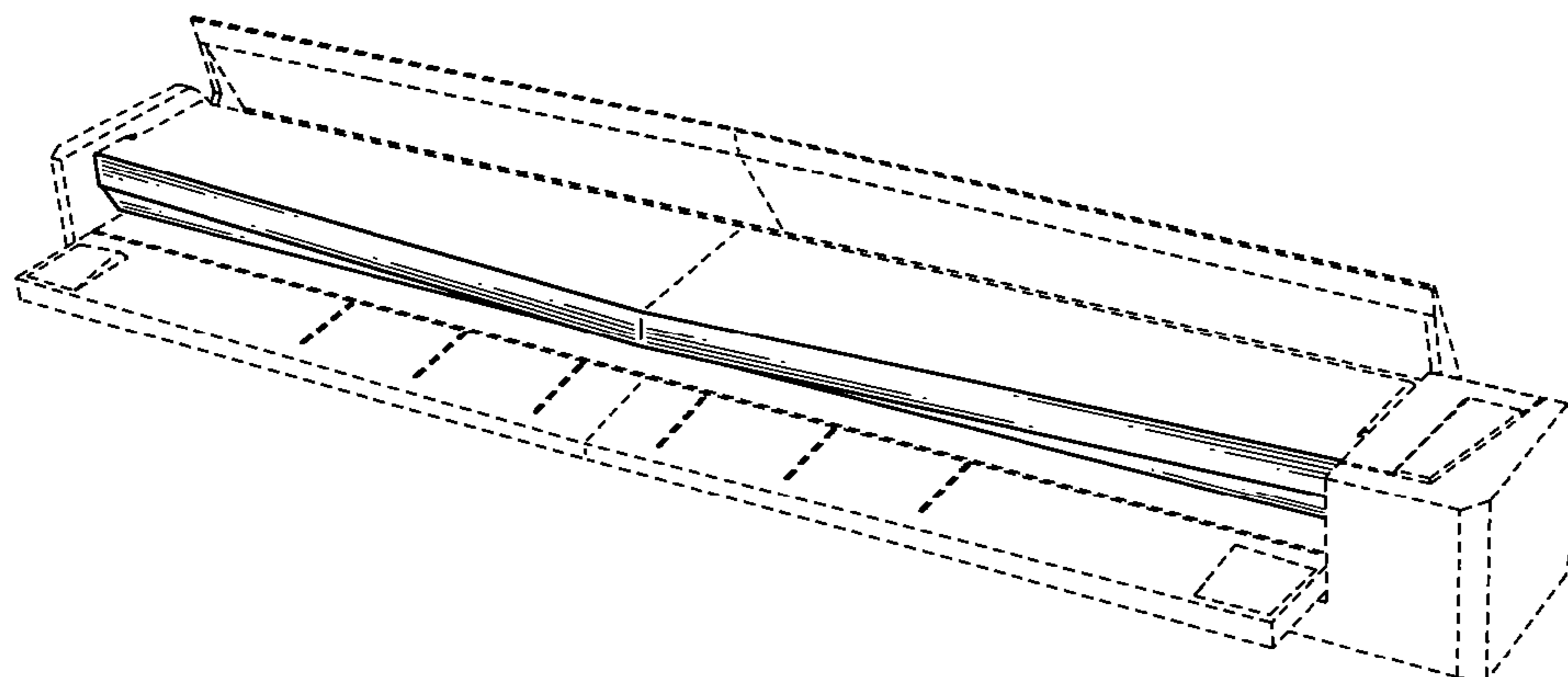
FIG. 3 is a top plan view thereof;

FIG. 4 is an enlarged fragmentary front perspective view thereof; and,

FIG. 5 is another enlarged fragmentary front perspective view thereof.

The broken lines in the drawings are for illustrative purposes only and form no part of the claimed design.

**1 Claim, 2 Drawing Sheets**



# US D636,775 S

Page 2

## U.S. PATENT DOCUMENTS

D420,663	S *	2/2000	Goldenberg et al. ..	D14/138 AB			
D421,768	S *	3/2000	Blair et al. ....	D18/50			
D422,570	S *	4/2000	Kobayashi .....	D14/509			
D423,563	S *	4/2000	Collins et al. ....	D18/55			
D424,099	S *	5/2000	Pangburn .....	D18/50			
D424,608	S	5/2000	Yorifuji et al.				
D432,565	S *	10/2000	Gassett et al. ....	D18/55			
D433,443	S *	11/2000	Ito et al. ....	D18/55			
D435,266	S *	12/2000	Sekine et al. ....	D18/55			
D435,267	S *	12/2000	Beck et al. ....	D18/55			
D438,891	S	3/2001	Hoshino et al.				
D438,895	S *	3/2001	Pangburn .....	D18/55			
D439,183	S	3/2001	Diller, Jr.				
D439,607	S *	3/2001	Inoue et al. ....	D18/54			
6,231,043	B1 *	5/2001	James et al. ....	271/209			
D447,511	S	9/2001	Kimura et al.				
D452,706	S *	1/2002	Senshiki .....	D18/55			
D454,583	S *	3/2002	Whitby et al. ....	D18/50			
D463,485	S *	9/2002	Yoshida et al. ....	D18/50			
D465,515	S *	11/2002	Hwang et al. ....	D18/55			
D466,552	S *	12/2002	Hwang et al. ....	D18/55			
D466,920	S *	12/2002	Kawahara et al. ....	D18/50			
D467,265	S	12/2002	Suzuki et al.				
D468,333	S	1/2003	Fenton				
D469,551	S	1/2003	Mobius				
D470,172	S *	2/2003	Tatara et al. ....	D18/55			
D471,583	S	3/2003	Okabe et al.				
6,540,219	B1 *	4/2003	Naruse et al. ....	271/37			
D474,770	S *	5/2003	Chujou et al. ....	D14/425			
6,557,992	B1 *	5/2003	Dwyer et al. ....	347/108			
6,568,674	B2 *	5/2003	Matsuda .....	271/274			
D478,119	S *	8/2003	Hwang et al. ....	D18/55			
D480,752	S *	10/2003	Tatara et al. ....	D18/55			
D483,059	S *	12/2003	Goh et al. ....	D18/50			
D483,060	S *	12/2003	Wong et al. ....	D18/50			
D483,061	S *	12/2003	Wong .....	D18/55			
6,676,318	B2 *	1/2004	Hwang et al. ....	400/693			
D486,178	S *	2/2004	Wong et al. ....	D18/55			
6,707,584	B1 *	3/2004	Morita .....	358/498			
D489,401	S *	5/2004	Senshiki et al. ....	D18/54			
D492,958	S	7/2004	Karakama et al.				
D492,960	S *	7/2004	Takizawa .....	D18/54			
D493,245	S	7/2004	Delson				
D496,395	S	9/2004	Miyagawa				
6,786,665	B2 *	9/2004	Hwang et al. ....	400/693			
D497,940	S *	11/2004	Hwang et al. ....	D18/50			
6,848,685	B2 *	2/2005	Katsuyama .....	271/162			
6,899,422	B2 *	5/2005	Strowe et al. ....	347/108			
6,899,474	B2 *	5/2005	Uchida et al. ....	400/27			
6,962,412	B2 *	11/2005	Koike et al. ....	347/108			
D514,161	S *	1/2006	Wong et al. ....	D18/55			
6,991,331	B2 *	1/2006	Kagami et al. ....	347/108			
7,029,113	B2 *	4/2006	Hwang .....	347/108			
D521,545	S	5/2006	Ishii et al.				
D523,469	S *	6/2006	Hwang et al. ....	D18/50			
D523,894	S	6/2006	Ishii et al.				
D524,851	S *	7/2006	Wong et al. ....	D18/55			
D532,544	S	11/2006	Woertler				
D533,897	S *	12/2006	Workman et al. ....	D18/34.3			
D534,204	S *	12/2006	Workman et al. ....	D18/34.3			
D536,731	S *	2/2007	Tate et al. ....	D18/50			
D543,583	S *	5/2007	Workman et al. ....	D18/34.3			
D545,891	S *	7/2007	Ramos et al. ....	D18/49			
D549,705	S *	8/2007	Sugitani et al. ....	D14/422			
7,265,869	B2 *	9/2007	Silverbrook et al. ....	358/1.3			
7,290,952	B2 *	11/2007	Kagami .....	400/693			
D559,893	S	1/2008	Kouroku et al.				
D563,413	S *	3/2008	Kuroda et al. ....	D14/422			
D564,519	S *	3/2008	Genatossio et al. ....	D14/422			
D571,934	S	6/2008	Stokes et al.				
7,431,447	B2 *	10/2008	Jensen .....	347/108			
D601,754	S	10/2009	Keene				
D605,103	S	12/2009	Schuephaus et al.				
D629,128	S	12/2010	Lim et al.				
2003/0030712	A1 *	2/2003	Kawaguchi et al. ....	347/104			
2003/0206762	A1 *	11/2003	Hwang et al. ....	400/693			
2004/0004642	A1 *	1/2004	Koike et al. ....	347/5			
2004/0207144	A1 *	10/2004	Kanome et al. ....	271/9.01			

\* cited by examiner

Fig. 1

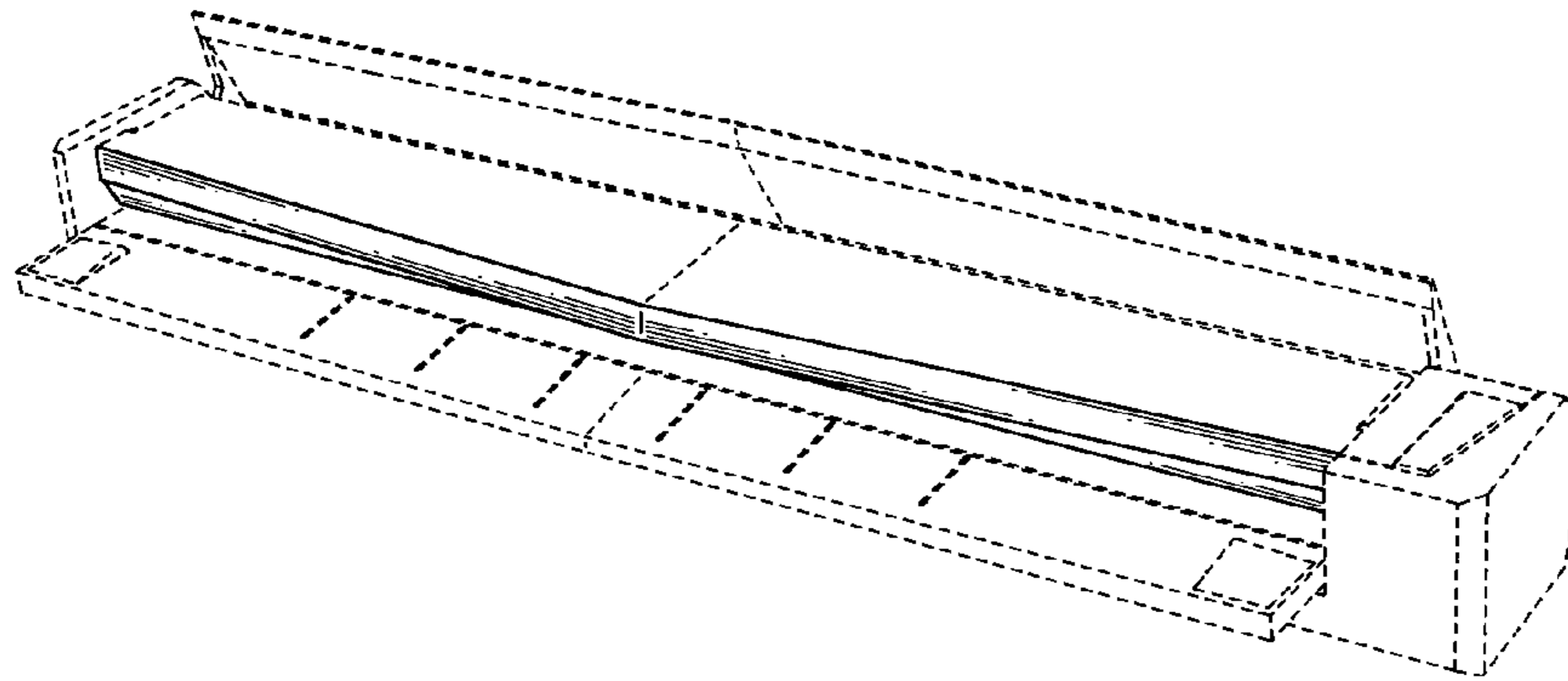


Fig. 2

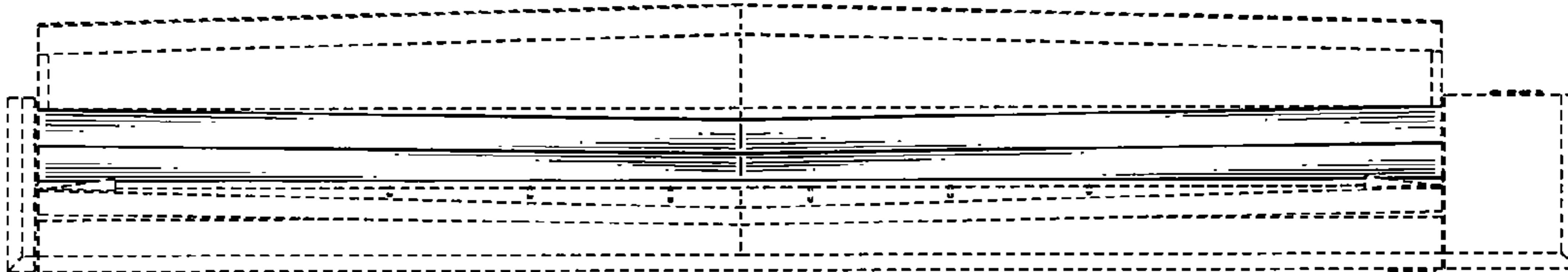


Fig. 3

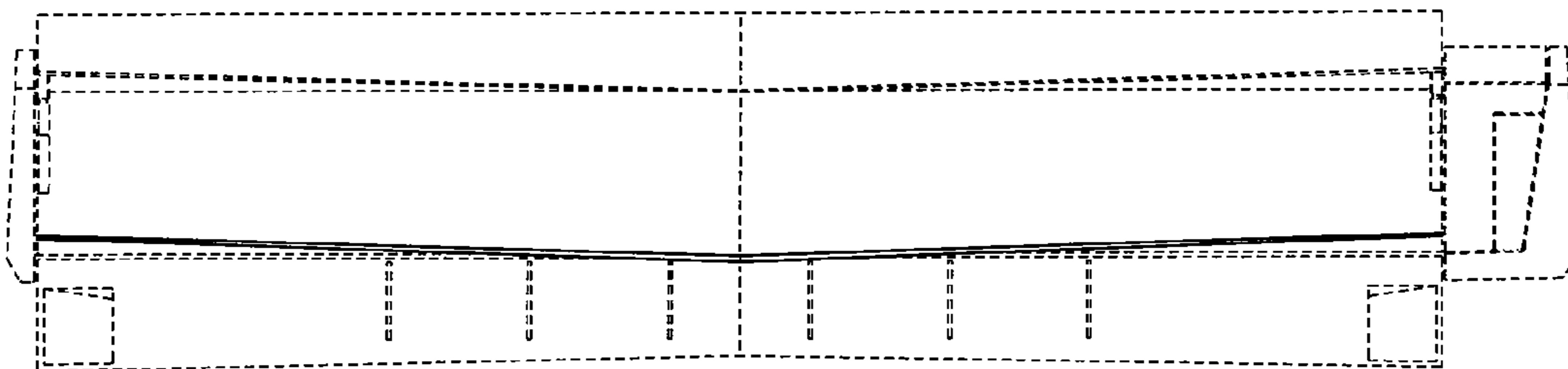




Fig.4

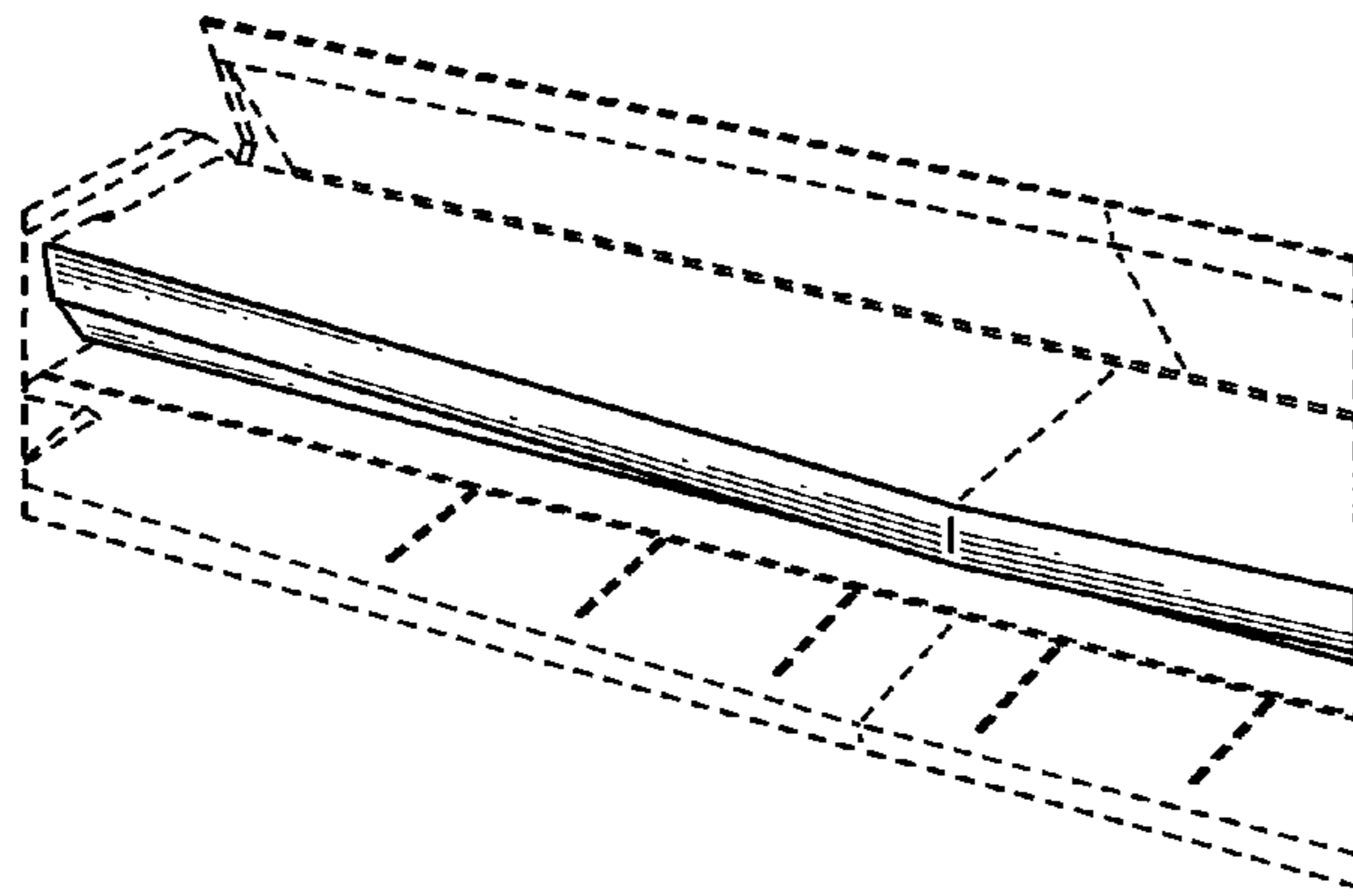


Fig.5

