



US00D636771S

(12) **United States Design Patent**
Green

(10) **Patent No.:** **US D636,771 S**

(45) **Date of Patent:** **** Apr. 26, 2011**

(54) **CONTROL PAD FOR AN ELECTRONIC DEVICE**

(75) **Inventor:** **Chris Green**, San Francisco, CA (US)

(73) **Assignee:** **Amazon Technologies, Inc.**, Reno, NV (US)

(**) **Term:** **14 Years**

(21) **Appl. No.:** **29/331,528**

(22) **Filed:** **Jan. 27, 2009**

(51) **LOC (9) Cl.** **14-02**

(52) **U.S. Cl.** **D14/388**; D14/455; D14/247

(58) **Field of Classification Search** D14/338-340, D14/346, 347, 356-369, 383-401, 412-417, D14/432-439, 447, 454-457, 496, 511, 203.1, D14/203.3, 217, 218, 238.1, 247, 251, 253, D14/257, 240, 299, 902, 402-411; D13/123, D13/133, 149, 154, 156, 158, 162-164, 168, D13/169, 171, 173, 174, 146; D18/6, 7, D18/12, 12.2; 340/825, 825.19, 825.2, 825.21-825.29
See application file for complete search history.

(56) **References Cited**

U.S. PATENT DOCUMENTS

D354,769	S	1/1995	Mehler et al.	
D366,432	S	1/1996	Wrisley et al.	
5,566,098	A	10/1996	Lucente et al.	
5,663,748	A	9/1997	Huffman et al.	
D392,643	S *	3/1998	Hartman	D14/226
5,847,698	A	12/1998	Reavey et al.	
5,892,900	A	4/1999	Ginter et al.	
D419,534	S	1/2000	Kemp	
6,047,189	A	4/2000	Yun et al.	
D432,560	S	10/2000	Endrulat	
6,331,867	B1	12/2001	Eberhard et al.	
6,351,750	B1	2/2002	Duga et al.	
6,385,596	B1	5/2002	Wiser et al.	
6,606,762	B1	8/2003	Levine et al.	

6,642,947	B2	11/2003	Feierbach
D486,149	S	2/2004	Kawami et al.
D488,469	S	4/2004	Batsikas
6,724,403	B1	4/2004	Santoro et al.
D494,967	S	8/2004	Tomaka

(Continued)

FOREIGN PATENT DOCUMENTS

EP 001076368-0001 7/2009

(Continued)

OTHER PUBLICATIONS

U.S. Appl. No. 11/537,484, filed Sep. 29, 2006, Thomas Ryan, "Expedited Acquisition of a Digital Item Following a Sample Presentation of the Item."

(Continued)

Primary Examiner — Cathron C Brooks

Assistant Examiner — Deanna Fluegeman

(74) *Attorney, Agent, or Firm* — Lee & Hayes, PLLC

(57) **CLAIM**

The ornamental design for a control pad for an electronic device, as shown and described.

DESCRIPTION

FIG. 1 is a perspective view of a control pad for an electronic device;

FIG. 2 is a front plan view of the control pad of FIG. 1;

FIG. 3 is a back plan view of the control pad of FIG. 1;

FIG. 4 is a top elevation view of the control pad of FIG. 1;

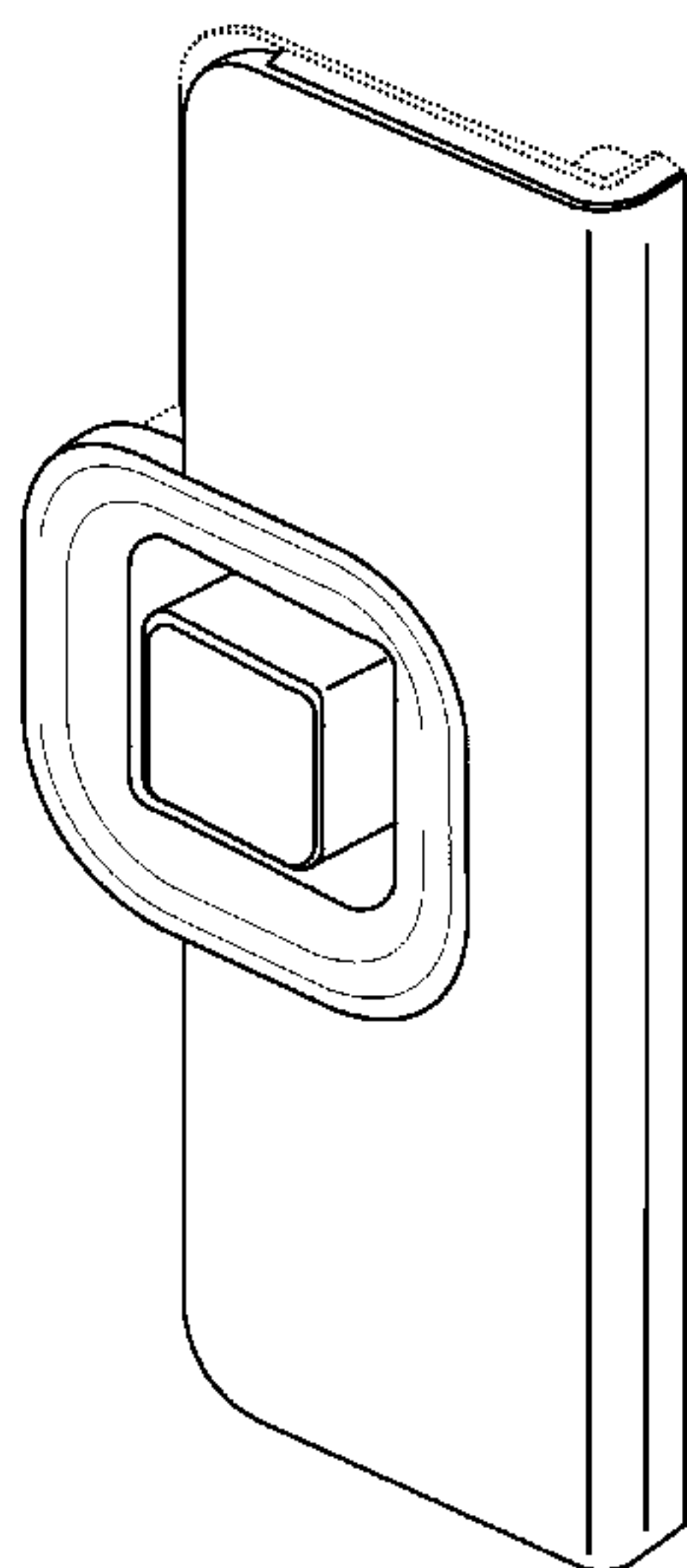
FIG. 5 is a bottom elevation view of the control pad of FIG. 1;

FIG. 6 is a left side elevation view of the control pad of FIG. 1; and,

FIG. 7 is a right side elevation view of the control pad of FIG. 1.

The broken lines shown in the drawings illustrate environment and form no part of the claimed design.

1 Claim, 7 Drawing Sheets



U.S. PATENT DOCUMENTS

D500,309 S * 12/2004 Borsboom D14/218
 6,847,966 B1 1/2005 Sommer et al.
 D502,944 S 3/2005 Kawami et al.
 6,904,449 B1 6/2005 Quinones
 6,933,928 B1 8/2005 Lilienthal
 D511,162 S 11/2005 Majumder
 D513,267 S 12/2005 Chen
 D513,749 S 1/2006 Schlieffers et al.
 6,985,932 B1 1/2006 Glaser et al.
 D516,083 S 2/2006 Kataoka
 7,009,596 B2 3/2006 Seet et al.
 D525,621 S 7/2006 Hirota
 D543,183 S 5/2007 Cho et al.
 D548,710 S * 8/2007 Lee et al. D14/138 AD
 D549,699 S * 8/2007 Bower D14/247
 D550,661 S * 9/2007 Fahlgren D14/247
 D550,678 S * 9/2007 O'Neil D14/455
 7,286,116 B2 10/2007 Chou et al.
 7,298,851 B1 11/2007 Hendricks et al.
 7,304,635 B2 12/2007 Seet et al.
 D565,042 S * 3/2008 Scales et al. D14/248
 D570,816 S * 6/2008 Lee et al. D14/138 AD
 D572,244 S * 7/2008 Rihu et al. D14/247
 D575,776 S * 8/2008 Chauhan et al. D14/247
 D577,716 S * 9/2008 Hering et al. D14/247
 D580,902 S * 11/2008 Bolton et al. D14/138 AA
 D581,407 S * 11/2008 Burns D14/247
 D582,404 S * 12/2008 Salmi D14/247
 D582,406 S 12/2008 Montes
 D583,812 S 12/2008 Asibey
 D584,302 S 1/2009 Sogabe
 D586,803 S 2/2009 Whitehorn et al.
 D588,121 S * 3/2009 Dhondt D14/247
 D591,741 S 5/2009 Whitehorn et al.
 D592,199 S * 5/2009 Bolton et al. D14/247
 D593,553 S 6/2009 Okamoto et al.
 D594,003 S * 6/2009 Dhondt D14/247
 D598,907 S * 8/2009 Montin et al. D14/247
 D599,336 S * 9/2009 Hakamaki et al. D14/247
 D601,135 S * 9/2009 Stone D14/247
 D601,552 S * 10/2009 Christiansen et al. D14/247
 D601,559 S 10/2009 Green et al.
 D601,560 S 10/2009 Matsumoto et al.
 D602,488 S 10/2009 Jiang et al.
 D602,491 S 10/2009 Jiang et al.
 D602,927 S * 10/2009 Bower D14/247
 D603,387 S * 11/2009 Ruohonen et al. D14/247
 D605,175 S * 12/2009 Maruska et al. D14/218
 D605,194 S 12/2009 Hakoda
 D607,883 S 1/2010 Fujita et al.
 7,656,317 B2 2/2010 Salman et al.
 D613,286 S 4/2010 Lee et al.
 D616,436 S 5/2010 Busri
 2002/0010759 A1 1/2002 Hitson et al.
 2002/0035697 A1 3/2002 McCurdy et al.
 2002/0092031 A1 7/2002 Dudkiewicz et al.
 2002/0138291 A1 9/2002 Vaidyanathan et al.
 2002/0147724 A1 10/2002 Fries et al.
 2003/0040970 A1 2/2003 Miller
 2003/0046233 A1 3/2003 Ara et al.
 2003/0110503 A1 6/2003 Perkes
 2003/0164844 A1 9/2003 Kravitz et al.
 2003/0182551 A1 9/2003 Frantz et al.
 2004/0003398 A1 1/2004 Donian et al.
 2004/0044723 A1 3/2004 Bell et al.
 2004/0117189 A1 6/2004 Bennett
 2004/0139400 A1 7/2004 Allam et al.
 2004/0267552 A1 12/2004 Gilliam et al.
 2005/0088410 A1 4/2005 Chaudhri
 2005/0176438 A1 8/2005 Li
 2005/0193330 A1 9/2005 Peters
 2006/0020469 A1 1/2006 Rast
 2006/0071754 A1 4/2006 Tofts et al.
 2006/0075205 A1 4/2006 Martin et al.
 2006/0098900 A1 5/2006 King et al.
 2006/0211454 A1 * 9/2006 Park et al. 455/566
 2006/0256083 A1 11/2006 Rosenberg
 2006/0281058 A1 12/2006 Manguoela

2007/0050346 A1 3/2007 Goel et al.
 2007/0061335 A1 3/2007 Ramer et al.
 2007/0247424 A1 10/2007 Jacob
 2008/0163039 A1 7/2008 Ryan et al.
 2008/0168073 A1 7/2008 Siegel et al.
 2008/0243788 A1 10/2008 Reztlaff, II et al.
 2008/0243828 A1 10/2008 Reztlaff, II et al.
 2008/0293450 A1 11/2008 Ryan et al.
 2008/0294674 A1 11/2008 Reztlaff, II et al.
 2008/0295039 A1 11/2008 Nguyen et al.

FOREIGN PATENT DOCUMENTS

EP 001150064-0001 10/2009
 WO WO9720274 6/1997
 WO WO0045588 8/2000
 WO WO0239206 5/2002

OTHER PUBLICATIONS

U.S. Appl. No. 11/537,518, filed Sep. 29, 2006, John Lattyak, "Acquisition of an Item based on a Catalog Presentation of Items."
 U.S. Appl. No. 11/693,685, filed Mar. 29, 2007, John Lattyak; John Kim; Steven Moy; Laurent An Minh Nguyen, "Relative Progress and Event Indicators."
 U.S. Appl. No. 11/763,314, filed Jun. 14, 2007, John Lattyak; Craig Griffin; Steven Weiss, "Display Dependent Markup Language."
 U.S. Appl. No. 11/763,339, filed Jun. 14, 2007, David Isbister; Marshall Williams; Nicholas Vaccaro, "Power Management Techniques for a User Device."
 U.S. Appl. No. 11/763,357, filed Jun. 14, 2007, James Reztlaff II; John Lattyak, "Obtaining and Verifying Search Indices."
 U.S. Appl. No. 11/763,363, filed Jun. 14, 2007, James Reztlaff II; Thomas Ryan, "Search Results Generation and Sorting."
 U.S. Appl. No. 11/763,375, filed Jun. 14, 2007, John Lattyak, Girish Bansil Bajaj, Kevin R. Cheung, Thomas Fruchterman, Robert L. Goodwin, Kenneth P. Kiraly, Richard Moore, Subram Narasimhan, Thomas A. Ryan, Michael V. Rykov, Jon Saxton, James C. Slezak, Beryl Tomay, Aviram Zagorie, Gregg Elliott Zehr, "Delivery of Items for Consumption by a User Device."
 U.S. Appl. No. 11/763,376, filed Jun. 14, 2007, Kenneth Kiraly; Thomas Ryan; Gregg Zehr; John Lattyak; Michael Rykov; Girish Bansil Bajaj; James Slezak; Aviram Zagorie; Richard Moore; Kevin Cheung; Thomas Fruchterman; Robert Goodwin, "Notification of a User Device to Perform an Action."
 U.S. Appl. No. 11/763,378, filed Jun. 14, 2007, John Lattyak; Thomas Ryan; Gregg Zehr; Kenneth Kiraly; Michael Rykov; Girish Bansil Bajaj; James Slezak; Aviram Zagorie; Richard Moore; Kevin Cheung; Thomas Fruchterman; Robert Goodwin; Xiaotian Guo, "Transfer of Instructions to a User Device."
 U.S. Appl. No. 11/763,381, filed Jun. 14, 2007, Michael Rykov; Girish Bansil Bajaj; James Slezak; Aviram Zagorie; Richard Moore; Kevin Cheung; Thomas Fruchterman; Robert Goodwin, "Selecting and Providing Items in a Media Consumption System."
 U.S. Appl. No. 11/763,386, filed Jun. 14, 2007, Thomas Ryan; Gregg Zehr; Kenneth Kiraly; John Lattyak; Michael Rykov; Girish Bansil Bajaj; James Slezak; Aviram Zagorie; Richard Moore; Kevin Cheung; Thomas Fruchterman; Robert Goodwin, "Handling of Subscription-Related Issues in a Media Consumption System."
 U.S. Appl. No. 11/763,390, filed Jun. 14, 2007, Girish Bansil Bajaj; Michael Rykov; James Slezak; Aviram Zagorie; Richard Moore; Kevin Cheung; Thomas Fruchterman; Robert Goodwin, "Providing User-Supplied Items to a User Device."
 U.S. Appl. No. 11/763,392, filed Jun. 14, 2007, Thomas Ryan; Gregg Zehr; Kenneth Kiraly; John Lattyak; Subram Narasimhan; Michael Rykov; Girish Bansil Bajaj; James Slezak; Aviram Zagorie; Richard Moore; Kevin Cheung; Thomas Fruchterman; Robert Goodwin, "Administrative Tasks in a Media Consumption System."
 U.S. Appl. No. 11/763,393, filed Jun. 14, 2007, John Lattyak; Michael Rykov; Girish Bansil Bajaj; James Slezak; Aviram Zagorie; Richard Moore; Kevin Cheung; Thomas Fruchterman; Robert Goodwin, "Incremental Updates of Items."
 U.S. Appl. No. 11/763,395, filed Jun. 14, 2007, Thomas Ryan; Gregg Zehr; Kenneth Kiraly; John Lattyak; Michael Rykov; Girish Bansil Bajaj; James Slezak; Aviram Zagorie; Richard Moore; Kevin

Cheung; Thomas Fruchterman; Robert Goodwin; James Reztlaff II, "Providing Supplemental Information Based on Hints in a Media Consumption System."

U.S. Appl. No. 11/963,618, filed Dec. 21, 2007, Michael Rykov; Laurent An Minh Nguyen; Steven Moy, "Dissemination of Periodical Samples."

U.S. Appl. No. 12/333,215, filed Dec. 11, 2008, Aviram Zagorie; Craig Griffin; John Lattyak; Michael Rykov, "Device-Specific Presentation Control for Electronic Book Reader Devices."

U.S. Appl. No. 12/351,629, filed Jan. 9, 2009, John Johnston; Weiping Dou; Steven Chase, "Antenna Placement on Portable Device."

U.S. Appl. No. 12/351,663, filed Jan. 9, 2009, Chris Li; Steven Chase, "Surface Mount Clip for Routing and Grounding Cables."

U.S. Appl. No. 12/360,089, filed Jan. 26, 2009, Thomas Dimson, Janna Hamaker, Eugene Kalenkovich, Tom Killalea, "Aggregation of Highlights."

U.S. Appl. No. 12/360,744, filed Jan. 27, 2009, Rajiv Kotesch Ghanta; Marcos Frid; Joseph J. Hebenstreit; John T. Kim, "Electronic Device With Haptic Feedback."

U.S. Appl. No. 12/366,941, filed Feb. 6, 2009, Scott Dixon; Eriel Thomas, "Bundled Digital Content."

U.S. Appl. No. 12/414,914, filed Mar. 31, 2009, Amit Agarwal; Zaur Kamarov; Tom Killalea, "Questions on Highlighted Passages."

Cleveland, Jr. et al., "Questions and Answers about Biological Effects and Potential Hazards of Radiofrequency Electromagnetic Fields" OET Bulletin 56, Fourth Edition, Aug. 1999, 38 pages.

Cleveland, Jr., et al., "Evaluating Compliance with FCC Guidelines for Human Exposure to Radiofrequency Electromagnetic Fields" OET Bulletin 65, Edition 97-01, Aug. 1997, 84 pages.

Means, et al., "Evaluating Compliance with FCC Guidelines for Human Exposure to Radiofrequency Electromagnetic Fields", OET Bulletin 65 Edition 97-01, Jun. 2001, 57 pages.

OQO "A Full PC That Fits in Your Pocket" Retrieved on Sep. 22, 2008 at <<<http://www.oqo.com/support/documentation.html>>>.

PCT Search Report for International Application No. PCT/US 07/89105, mailed Aug. 18, 2008 (4 pages).

PCT Search Report for International Application No. PCT/US 08/57829, mailed Aug. 15, 2008 (2 pages).

PCT Search Report and Written Opinion for International Application No. PCT/US 08/64387, mailed Sep. 9, 2008 (14 pages).

PCT Search Report for International Application No. PCT/US 08/64368, mailed Sep. 22, 2008 (2 pages).

PCT Search Report and Written Opinion for International Application No. PCT/US 08/64389, mailed Jan. 28, 2009 (7 pages).

PCT Search Report and Written Opinion for International Application No. PCT/US 08/57848, mailed Jul. 7, 2008 (9 pages).

* cited by examiner

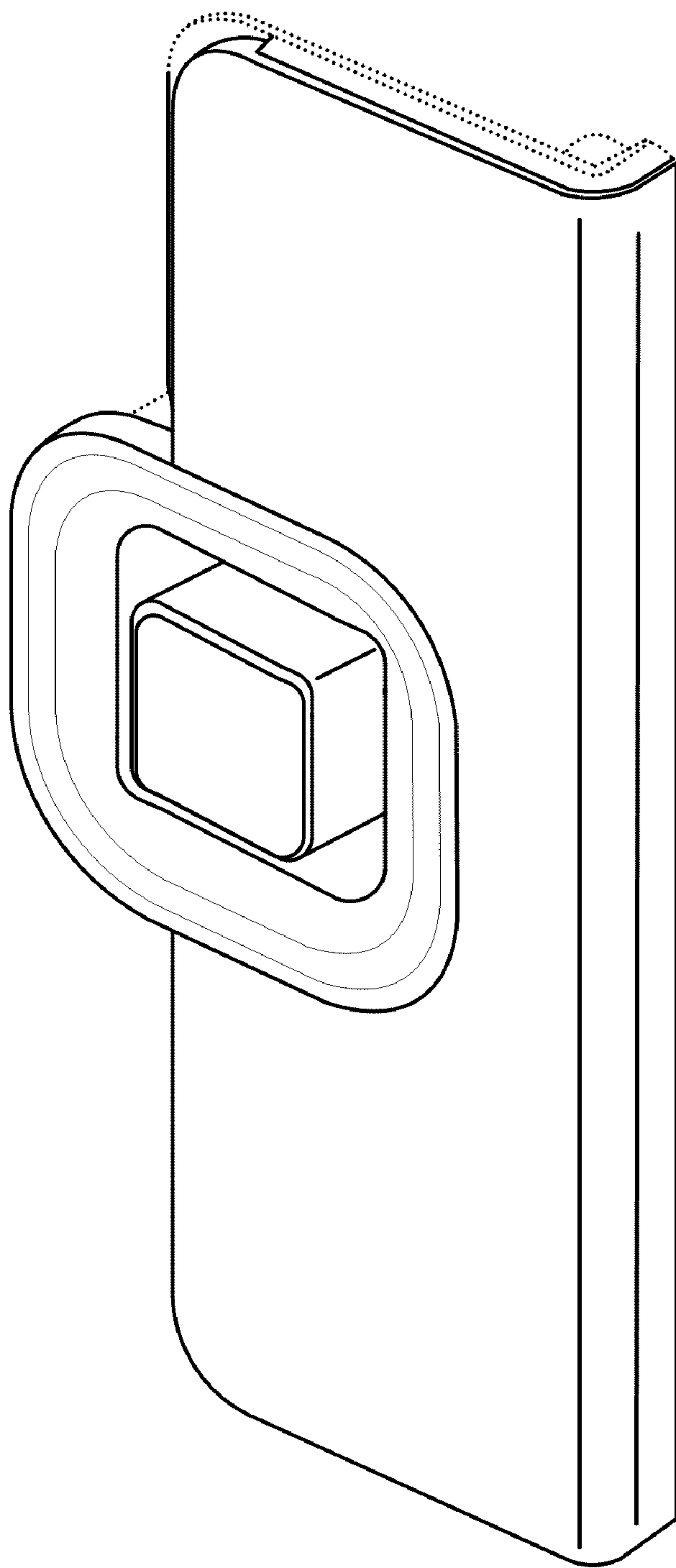


FIG. 1

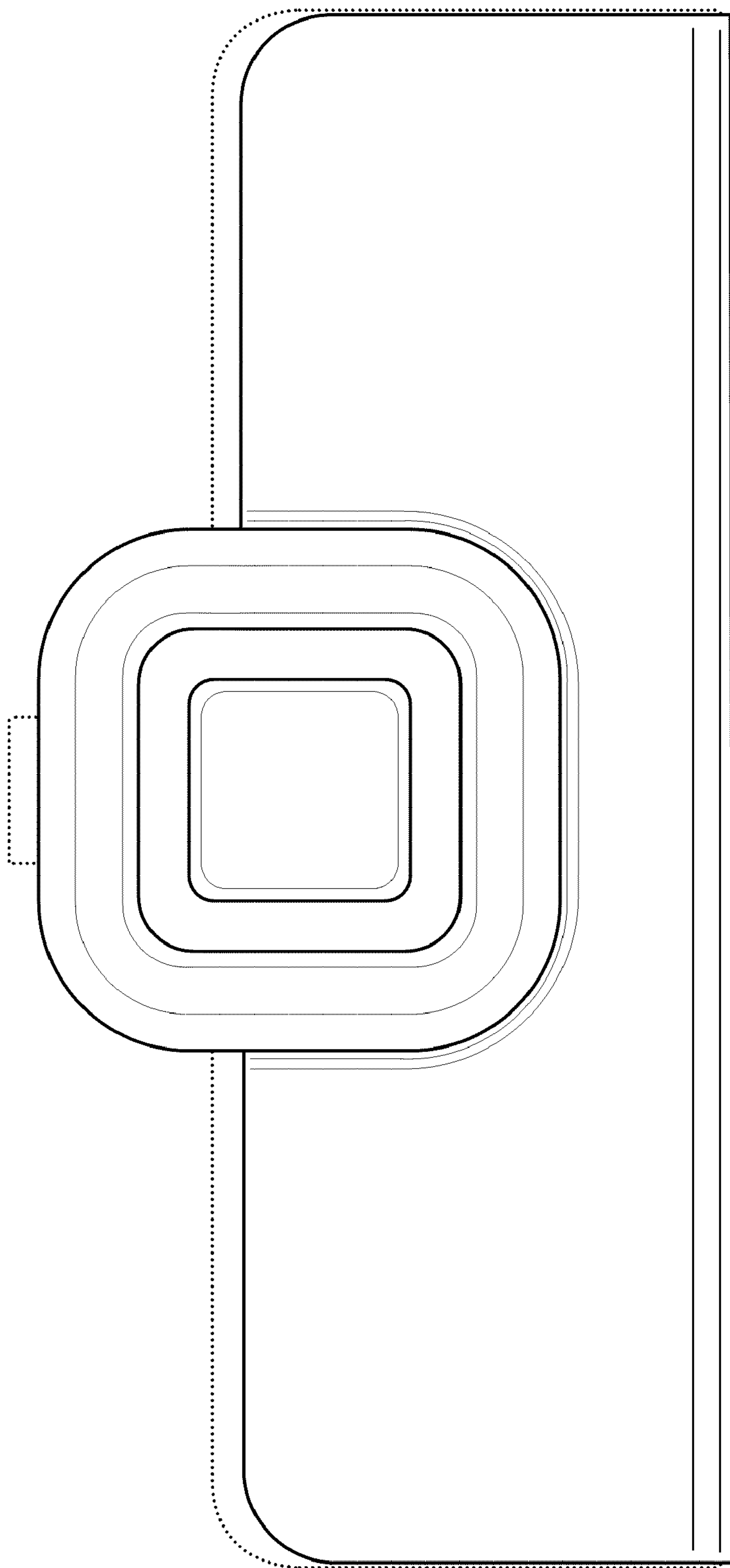


FIG. 2

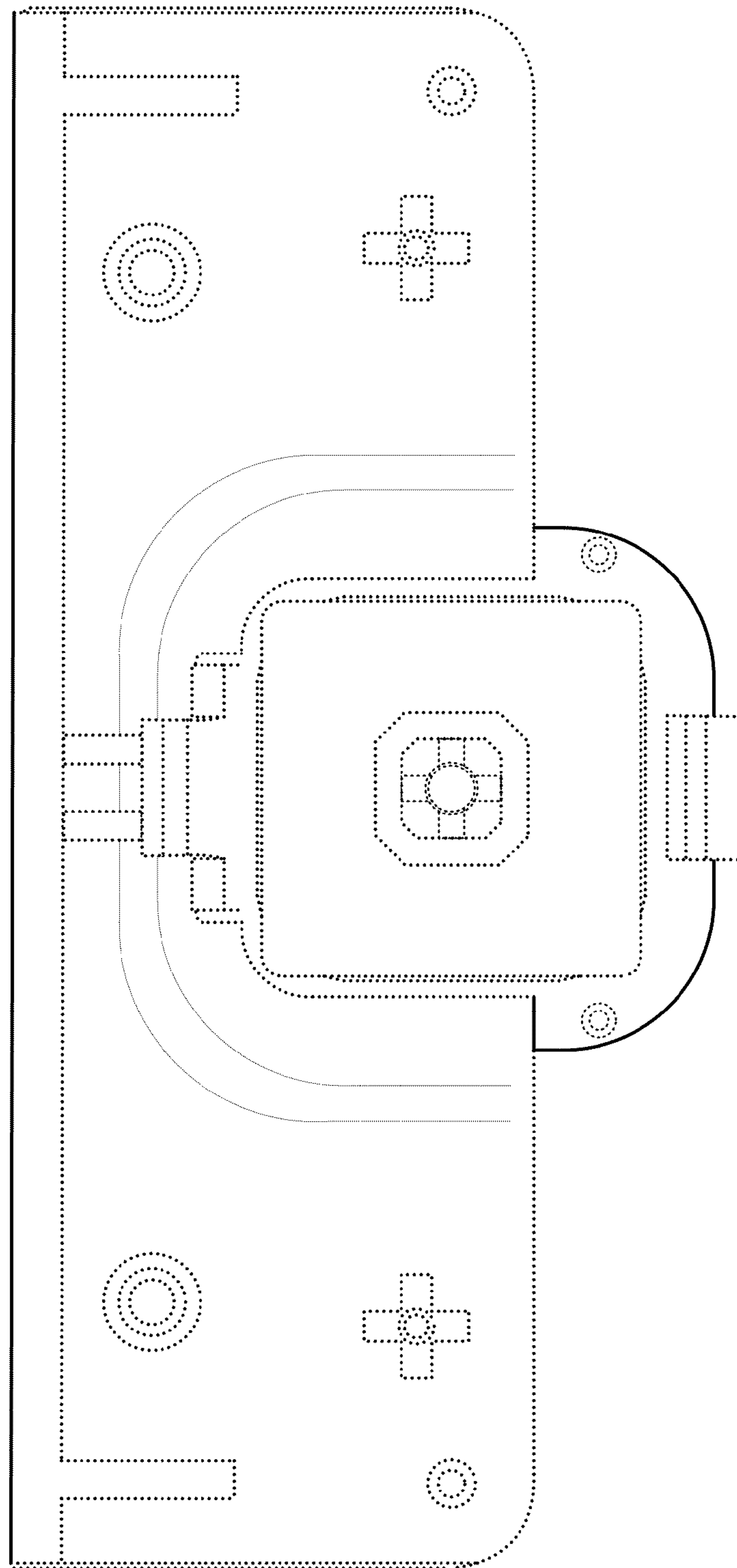


FIG. 3

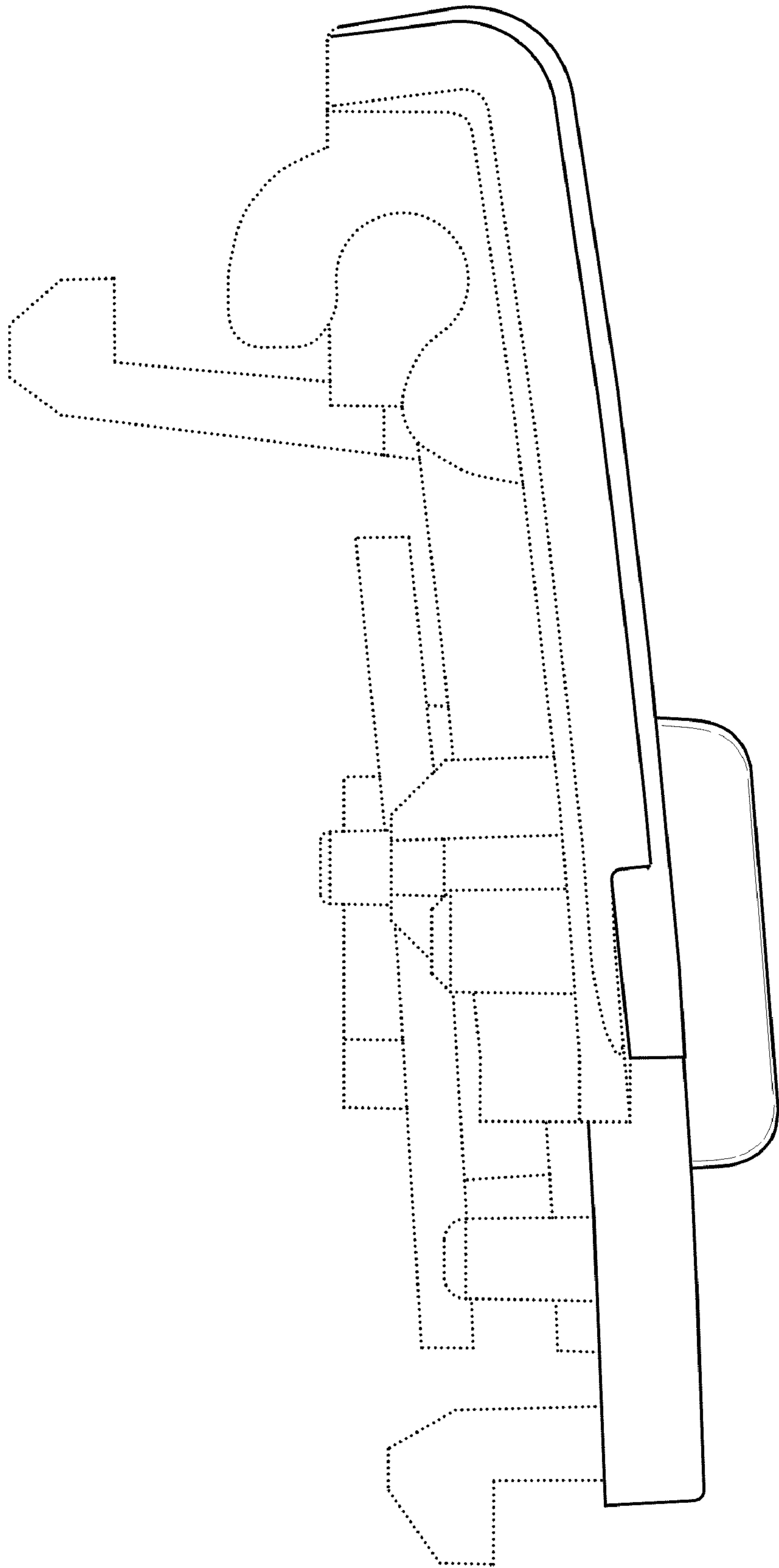


FIG. 4

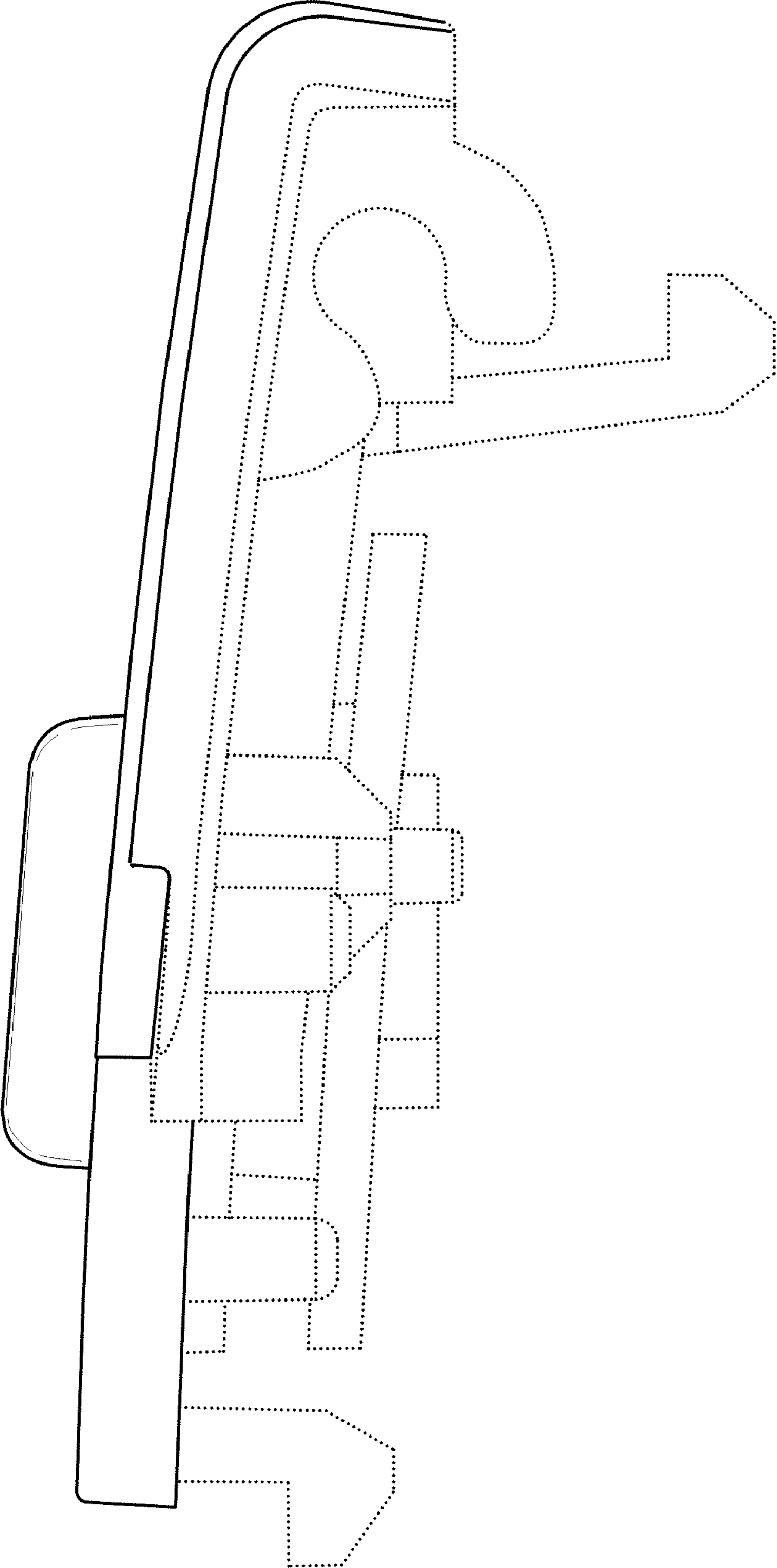


FIG. 5

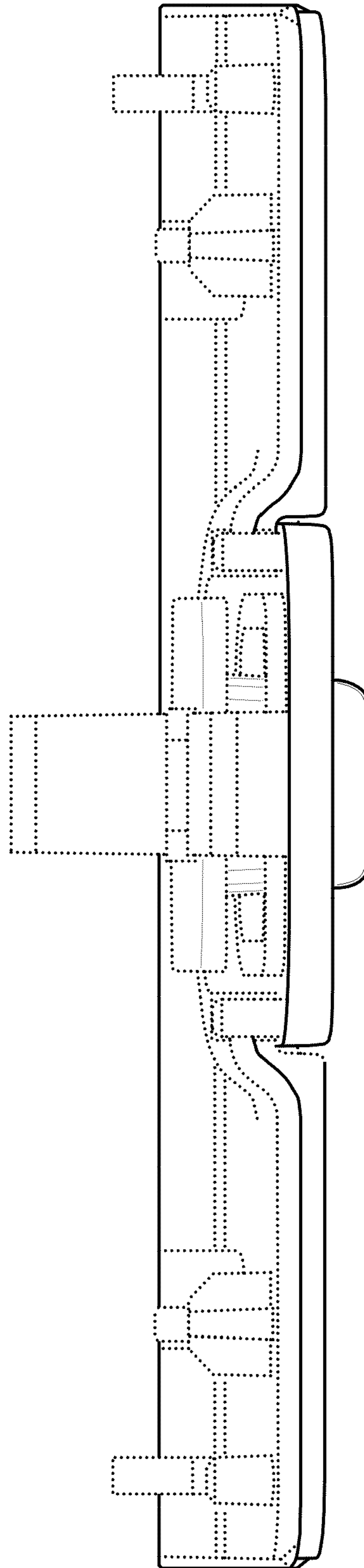


FIG. 6

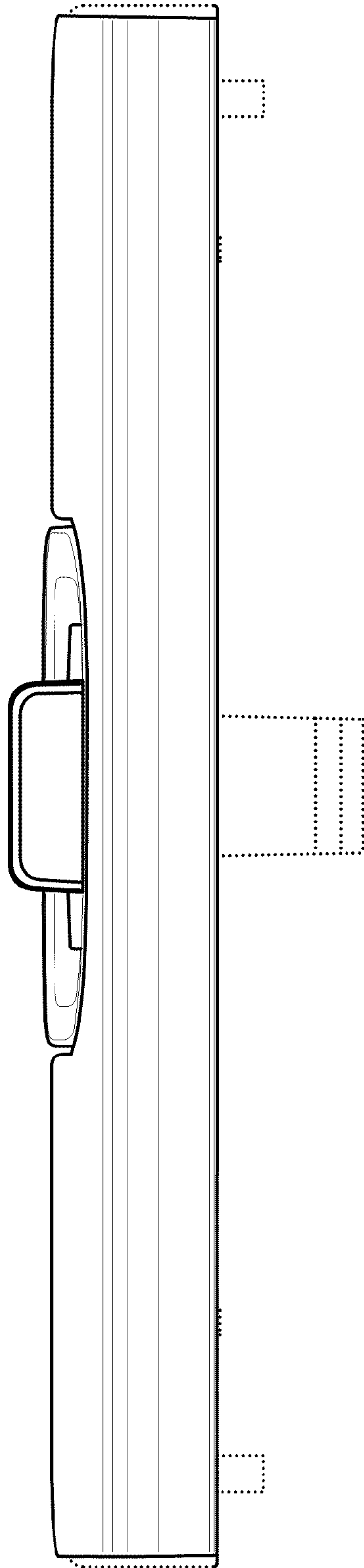


FIG. 7