



US00D636769S

(12) **United States Design Patent**
Wood et al.

(10) **Patent No.:** **US D636,769 S**
(45) **Date of Patent:** **** Apr. 26, 2011**

(54) **PORTABLE ELECTRONIC DEVICE**

(75) Inventors: **Todd Andrew Wood**, Geulph (CA);
Dustin Jonathan Smith, Waterloo (CA);
Brian Dennis Paschke, Toronto (CA);
Anders Fahrendorff, Ottawa (CA)

(73) Assignee: **Research In Motion Limited**, Waterloo,
Ontario (CA)

(**) Term: **14 Years**

(21) Appl. No.: **29/367,673**

(22) Filed: **Aug. 11, 2010**

(51) **LOC (9) Cl.** **14-02**

(52) **U.S. Cl.** **D14/341**

(58) **Field of Classification Search** D14/341-347,
D14/137, 138, 138.1, 138 AA, 138 R, 138 AB,
D14/138 G, 138 A, 496, 426, 429, 129, 130,
D14/420, 439-441, 448, 125, 147, 156, 218,
D14/250, 336, 203.1, 203.3, 203.4, 203.7,
D14/315, 388-390; D21/324, 329, 330;
D10/65, 104; D18/6-7; 345/169, 901, 905,
345/156, 157, 168, 173; 361/680, 686, 679.27,
361/679.3; 379/433.04, 433.07, 433.11,
379/916, 433.01, 433.06

See application file for complete search history.

(56) **References Cited**

U.S. PATENT DOCUMENTS

D333,574 S * 3/1993 Ackeret D6/300
D337,569 S * 7/1993 Kando D14/341
D504,889 S * 5/2005 Andre et al. D14/341
D515,082 S * 2/2006 Moskaluk et al. D14/341
D532,791 S * 11/2006 Kim D14/203.7
D558,460 S * 1/2008 Yu et al. D6/308

D569,629 S * 5/2008 Yu et al. D6/308
D577,353 S * 9/2008 Kim et al. D14/138 AD
D577,703 S * 9/2008 Lee et al. D14/138 G
D579,930 S * 11/2008 Maskatia D14/341
D583,342 S * 12/2008 Kim et al. D14/138 G
D584,738 S * 1/2009 Kim et al. D14/496
D585,399 S * 1/2009 Hwang D14/130
D593,059 S * 5/2009 Kim et al. D14/138 G
D595,712 S * 7/2009 Guery et al. D14/341
D601,353 S * 10/2009 Sadler et al. D6/308
D602,487 S * 10/2009 Maskatia D14/341
D605,626 S * 12/2009 Park D14/203.7
D611,500 S * 3/2010 Byle et al. D14/496
D613,951 S * 4/2010 Tang et al. D6/308
D617,793 S * 6/2010 Chiang et al. D14/341
D622,240 S * 8/2010 Liu et al. D14/126
2005/0156902 A1 * 7/2005 McPherson et al. 345/173

* cited by examiner

Primary Examiner — Cathron C Brooks

Assistant Examiner — Barbara Fox

(57) **CLAIM**

We claim the ornamental design for a portable electronic device, as shown and described.

DESCRIPTION

FIG. 1 is a front perspective view of a portable electronic device;

FIG. 2 is a back perspective view of the portable electronic device;

FIG. 3 is a front elevational view thereof;

FIG. 4 is a back elevational view thereof;

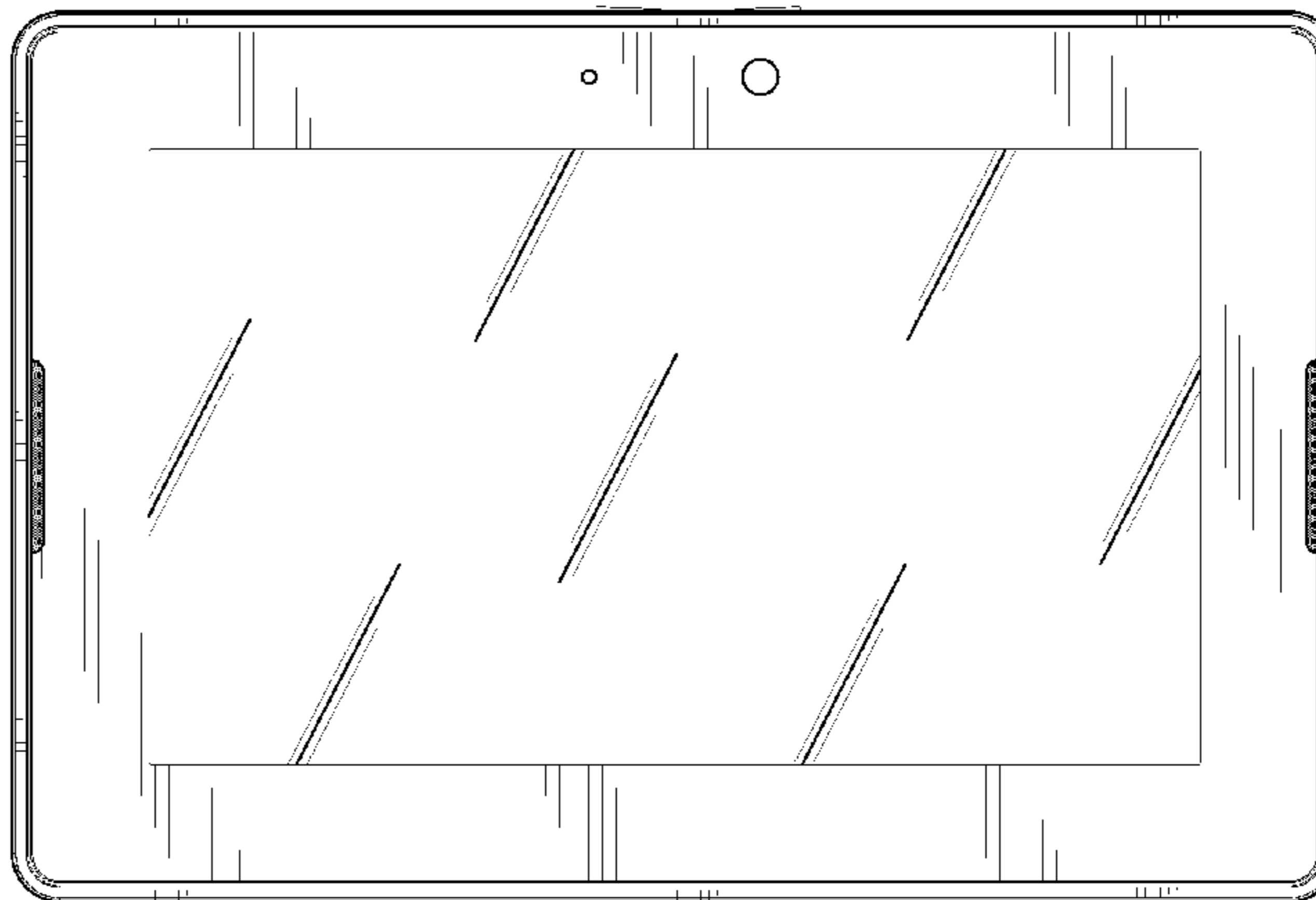
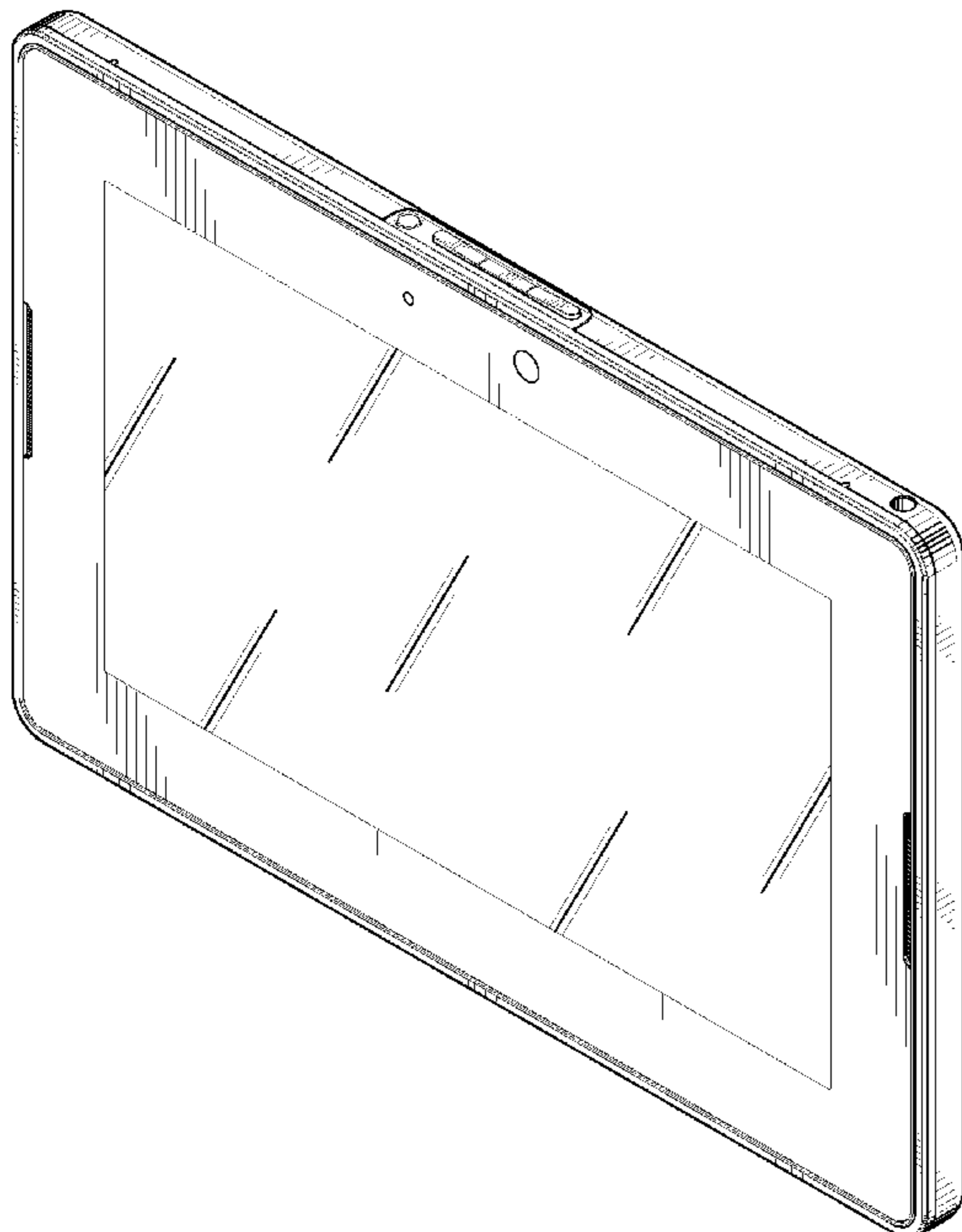
FIG. 5 is a left elevational view thereof;

FIG. 6 is a right elevational view thereof;

FIG. 7 is a top plan view thereof; and,

FIG. 8 is a bottom plan view thereof.

1 Claim, 6 Drawing Sheets



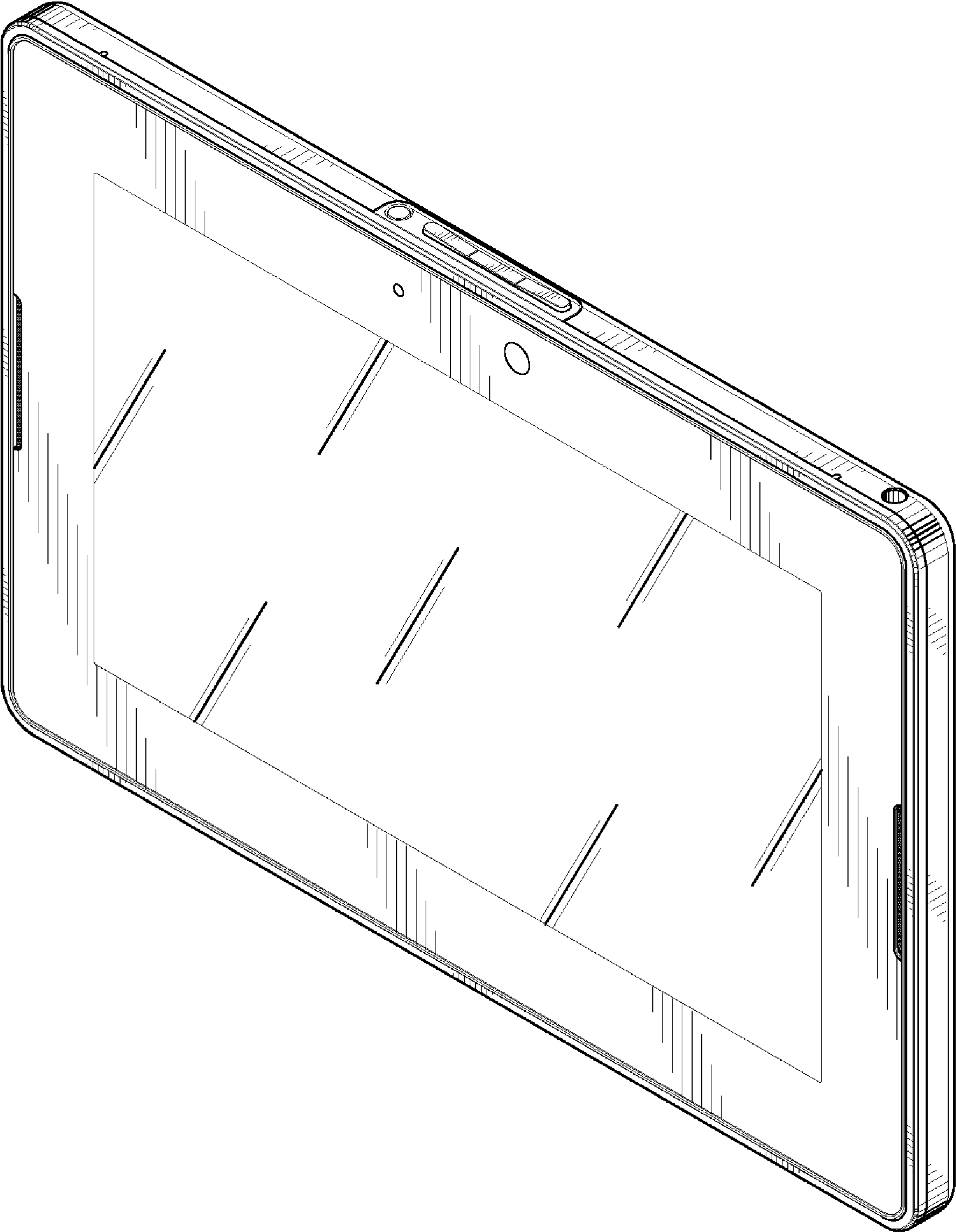


FIG.1

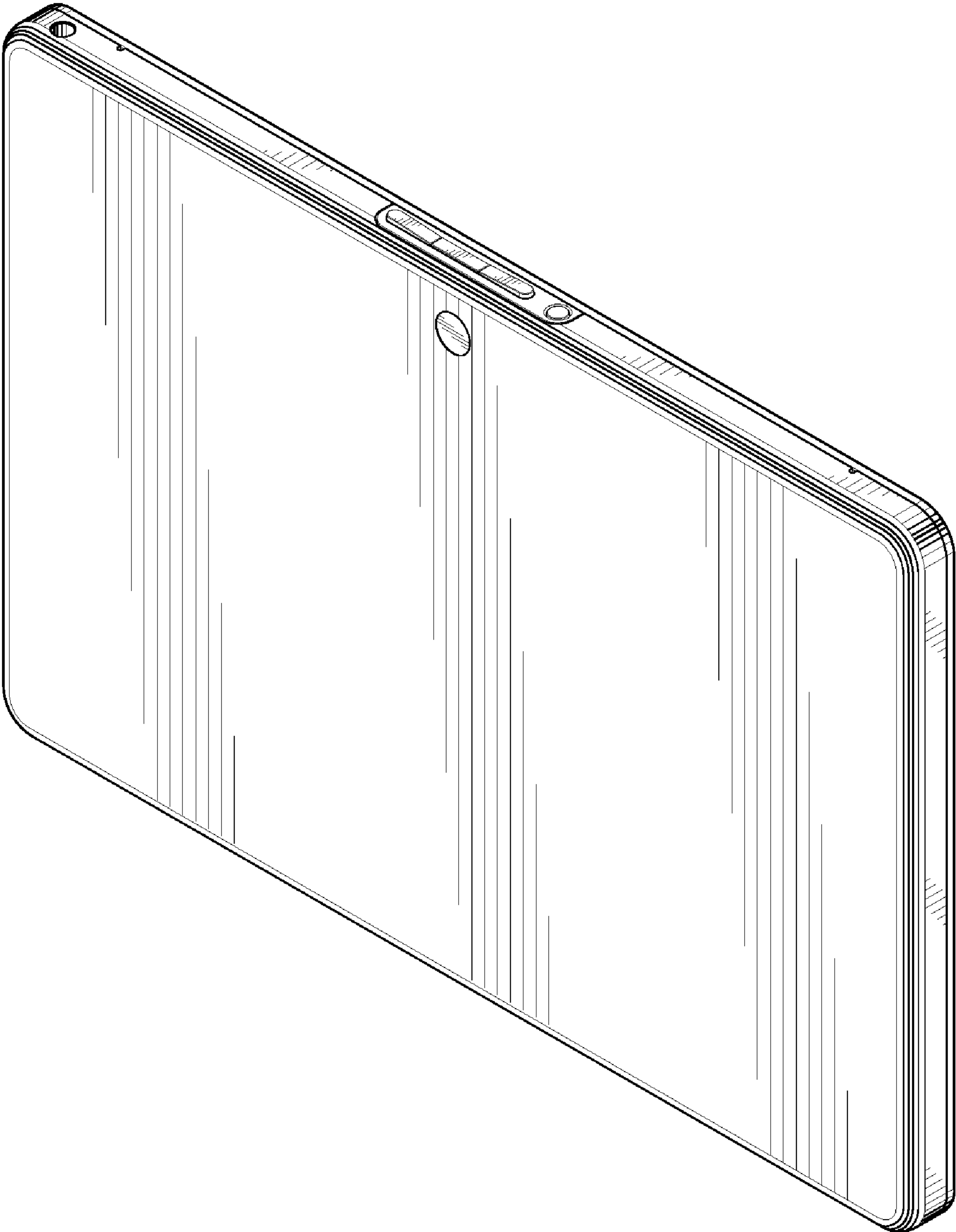


FIG.2

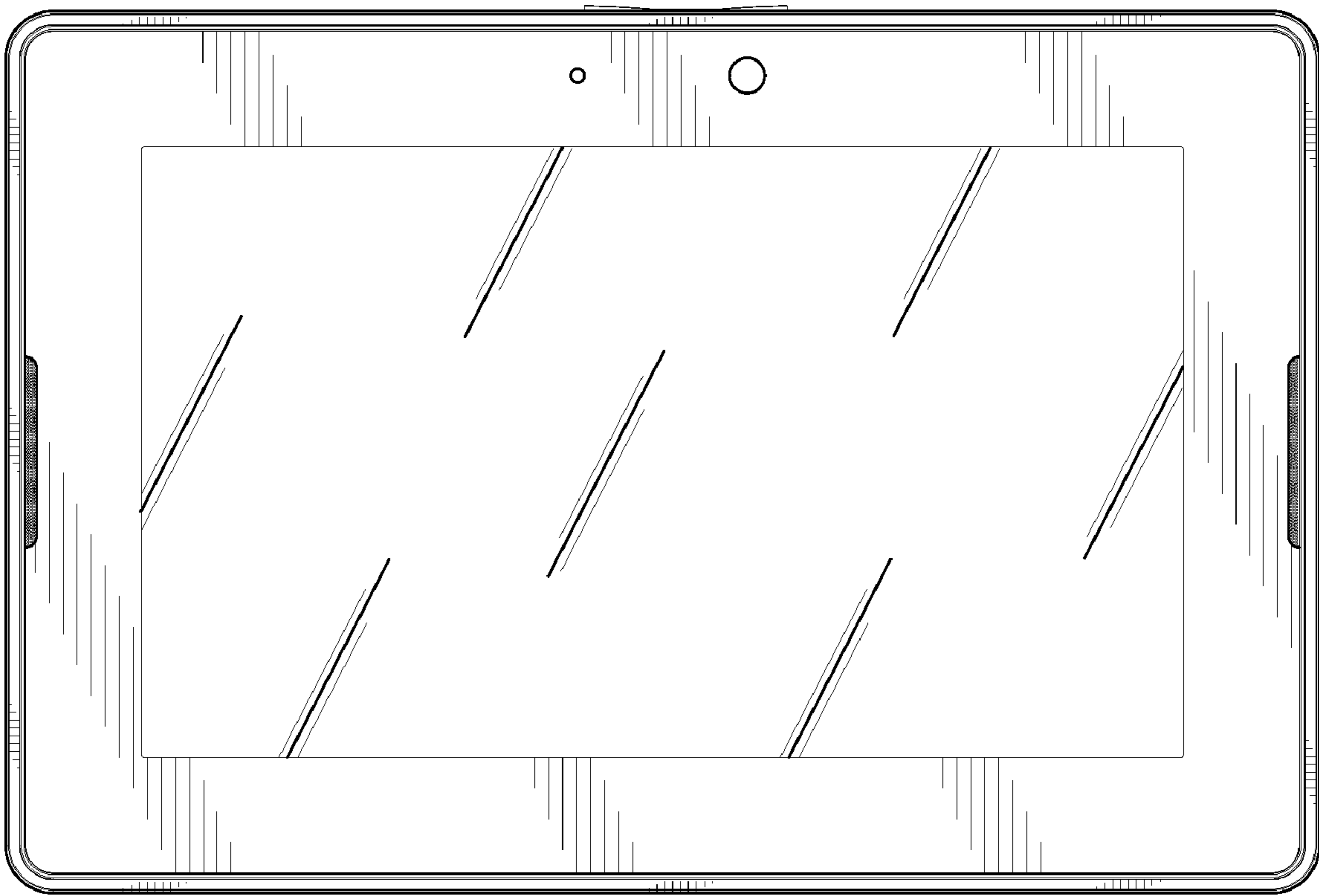


FIG.3

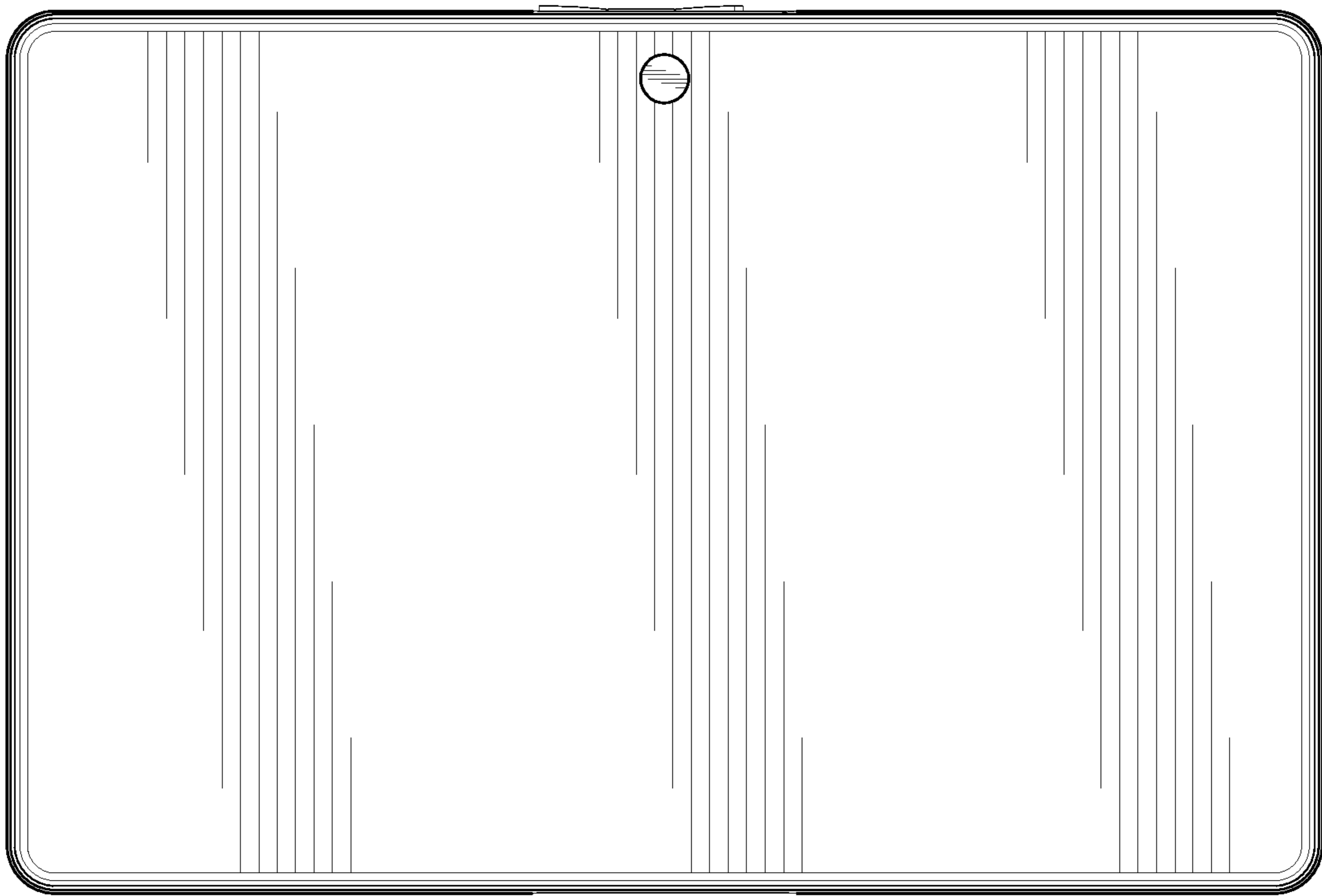


FIG.4

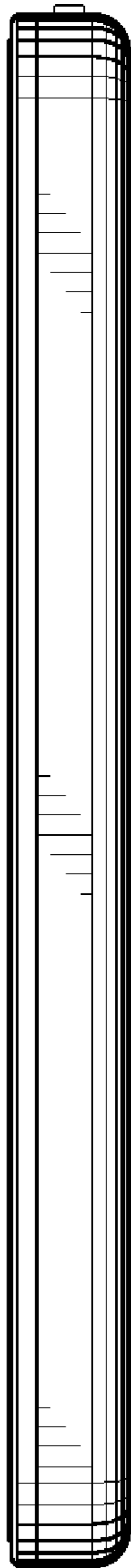


FIG. 5

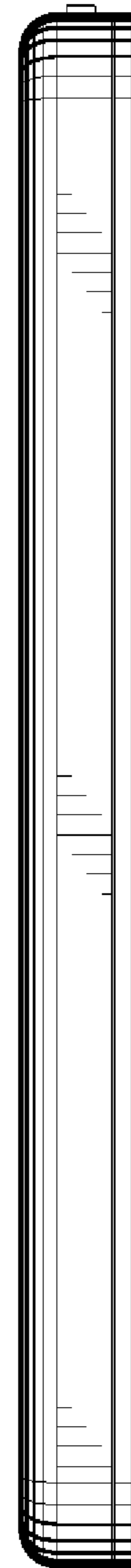


FIG. 6



FIG.7

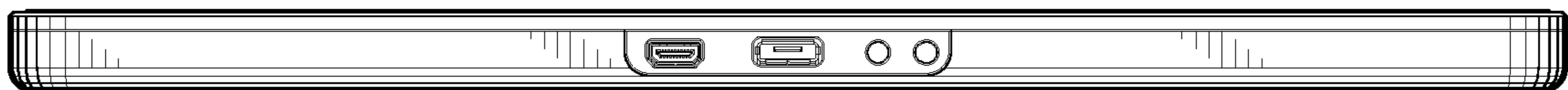


FIG.8