



US00D636766S

(12) **United States Design Patent**
Page

(10) **Patent No.:** **US D636,766 S**
(45) **Date of Patent:** **** Apr. 26, 2011**

(54) **MOBILE TELEPHONE BUTTON**
(75) Inventor: **Michael James Page**, Coral Gables, FL (US)
(73) Assignee: **NII Holdings, Inc.**, Reston, VA (US)

(**) Term: **14 Years**

(21) Appl. No.: **29/376,718**

(22) Filed: **Oct. 11, 2010**

(51) **LOC (9) Cl.** **14-03**

(52) **U.S. Cl.** **D14/247**

(58) **Field of Classification Search** D14/247-248, D14/138 R, 138 AC, 138 C, 138 AA, 138 AB, D14/138 AD, 138 G, 144, 244, 432, 439, D14/455, 456, 137, 147, 218, 341-347, 191, D14/203.1-203.8, 318, 396, 496; D13/168; D18/7; D10/65, 78, 104; 455/566, 575.1, 455/575.3; 345/169

See application file for complete search history.

(56) **References Cited**

U.S. PATENT DOCUMENTS

D415,149 S * 10/1999 Vuolteenaho et al. D14/138 AA
D417,454 S * 12/1999 Vuolteenaho D14/247
D430,861 S * 9/2000 Lytel D14/147
D480,375 S * 10/2003 Cebe et al. D14/147

D524,281 S * 7/2006 Franck et al. D14/147
D531,586 S * 11/2006 Poulet D13/168
D556,067 S * 11/2007 Fugman et al. D10/78
D585,047 S * 1/2009 Chen D14/143
D621,399 S * 8/2010 Ahlstrom D14/344
D627,328 S * 11/2010 Harden et al. D14/147

* cited by examiner

Primary Examiner — Bridget L Eland

(74) *Attorney, Agent, or Firm* — Posz Law Group, PLC

(57) **CLAIM**

The ornamental design for a mobile telephone button, as shown and described.

DESCRIPTION

FIG. 1 is a perspective view of a mobile telephone button showing my new design;

FIG. 2 is a top view thereof;

FIG. 3 is a front view thereof, the back view being symmetrical thereof; and,

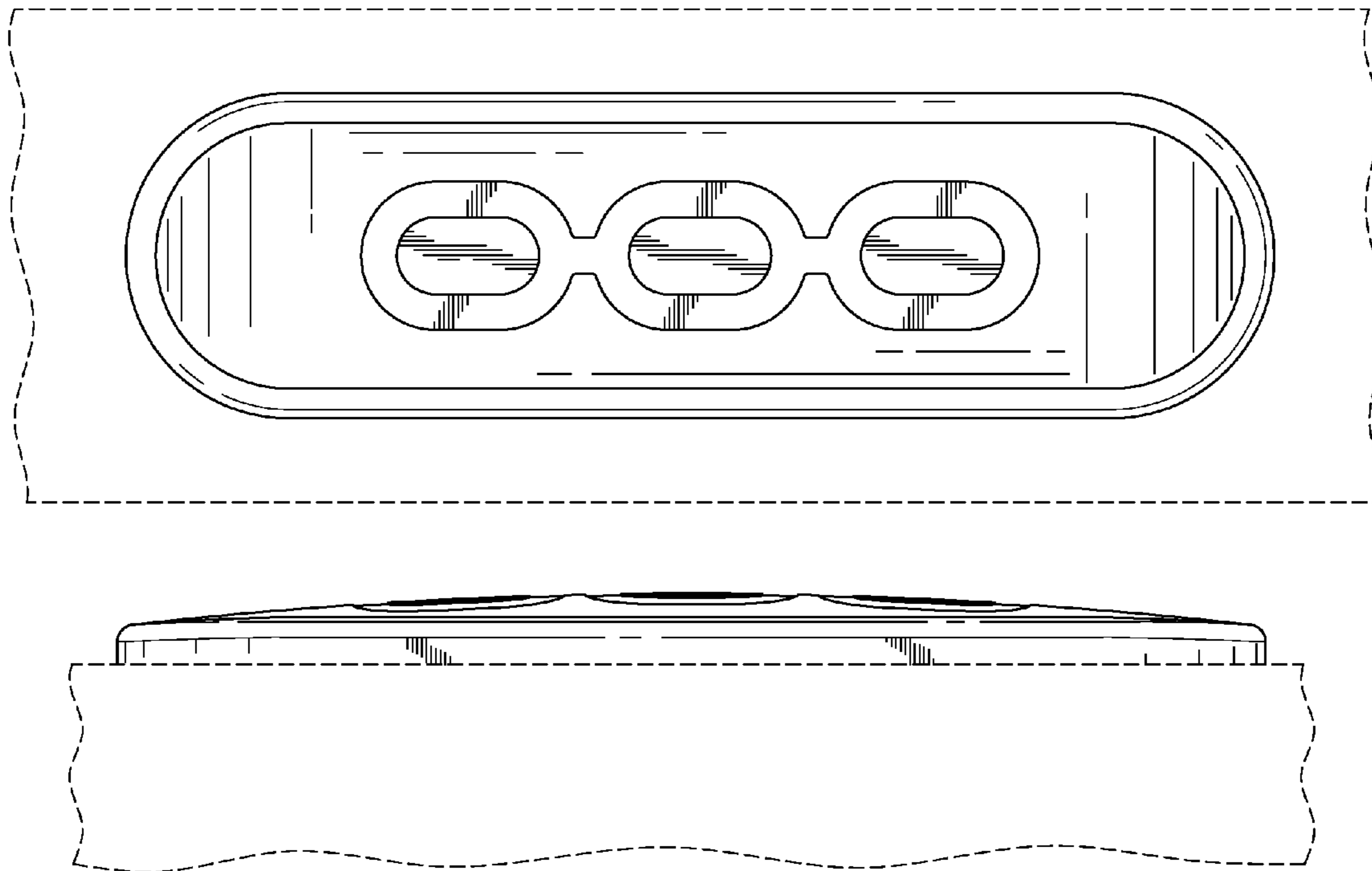
FIG. 4 is a right side view thereof, the left side being symmetrical thereof.

The broken lines in the figures represent unclaimed environmental structure.

The bottom of the button is unornamented.

The front and back views are symmetrical; and the right side and left side views are symmetrical.

1 Claim, 2 Drawing Sheets



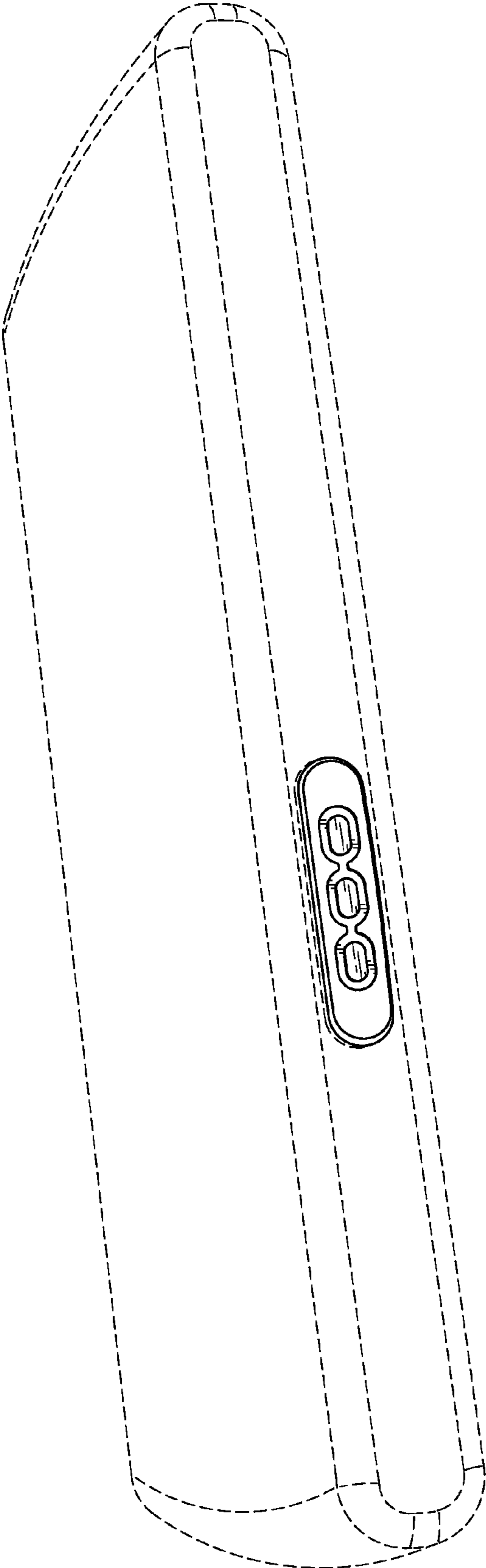


FIG. 1

FIG. 2

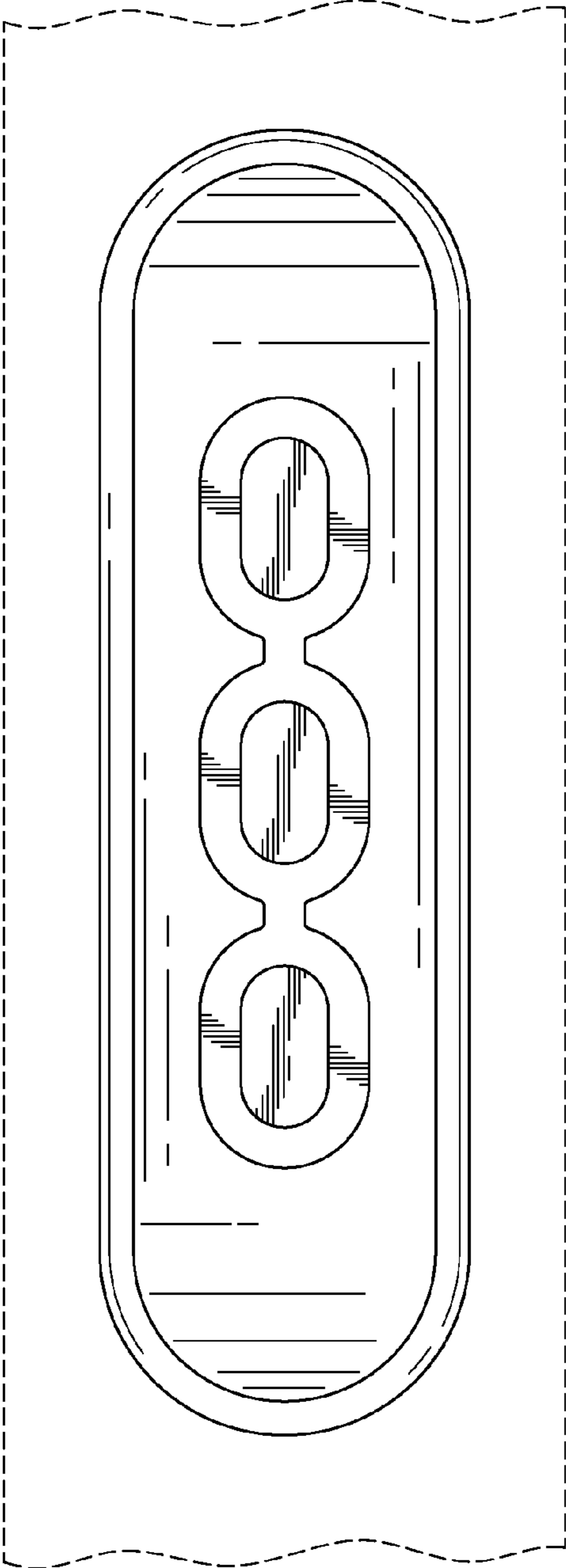


FIG. 3

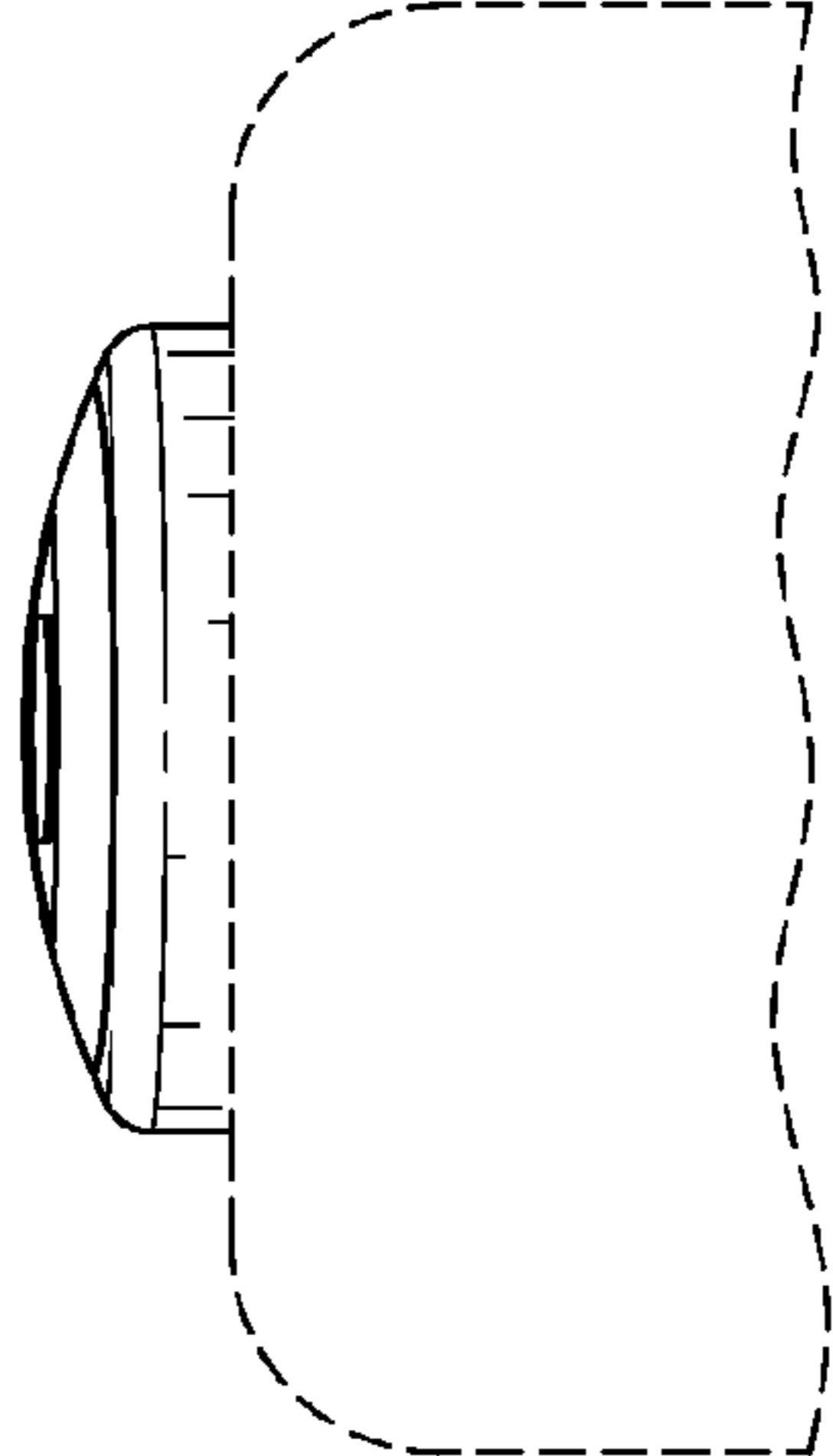


FIG. 4

