



US00D636764S

(12) **United States Design Patent**
Mi et al.

(10) **Patent No.:** **US D636,764 S**
(45) **Date of Patent:** **** Apr. 26, 2011**

(54) **ANTENNA**

(75) Inventors: **Shih-Yuan Mi**, Tu-Cheng (TW);
Jia-Hung Su, Tu-Cheng (TW); **Yi-Feng Huang**, Tu-Cheng (TW); **Kai Shih**, Tu-Cheng (TW)

(73) Assignee: **Cheng Uei Precision Industry Co., Ltd.**, Tu-Cheng, Taipei Hsien (TW)

(**) Term: **14 Years**

(21) Appl. No.: **29/379,404**

(22) Filed: **Nov. 18, 2010**

(51) **LOC (9) Cl.** **14-03**

(52) **U.S. Cl.** **D14/230**

(58) **Field of Classification Search** D14/138,
D14/230-238, 299, 358; D12/42, 43; 343/700 MS,
343/700 R-705, 711-713, 741, 748, 767,
343/795, 819, 840, 846, 866, 871-908; 455/90.2,
455/90.3, 91, 128, 269, 344, 347, 562.1;
333/193, 195

See application file for complete search history.

(56) **References Cited**

U.S. PATENT DOCUMENTS

6,864,845 B2 * 3/2005 Kuo et al. 343/702
D554,111 S * 10/2007 Su et al. D14/230
7,333,067 B2 * 2/2008 Hung et al. 343/770
7,477,195 B2 * 1/2009 Vance 343/700 MS

D588,115 S * 3/2009 Yoshioka D14/230
7,589,679 B2 * 9/2009 Shih 343/702
D603,850 S * 11/2009 Wu et al. D14/230
7,667,664 B2 * 2/2010 Tao 343/873
D618,223 S * 6/2010 Tsai et al. D14/230
2005/0073462 A1 * 4/2005 Lin et al. 343/702
2006/0197705 A1 * 9/2006 Chen et al. 343/700 MS
2009/0243935 A1 * 10/2009 Huang et al. 343/700 MS
2010/0026592 A1 * 2/2010 Chen et al. 343/702
2010/0149041 A1 * 6/2010 Asraff et al. 343/700 MS
2010/0171664 A1 * 7/2010 Yang et al. 343/700 MS
2010/0253582 A1 * 10/2010 Nozawa 343/702

* cited by examiner

Primary Examiner — Celia A Murphy

Assistant Examiner — John Windmuller

(74) *Attorney, Agent, or Firm* — Cheng-Ju Chiang

(57) **CLAIM**

The ornamental design for an antenna, as shown and described.

DESCRIPTION

FIG. 1 is a perspective view of an antenna showing our new design;

FIG. 2 is a front elevational view thereof;

FIG. 3 is a rear elevational view thereof;

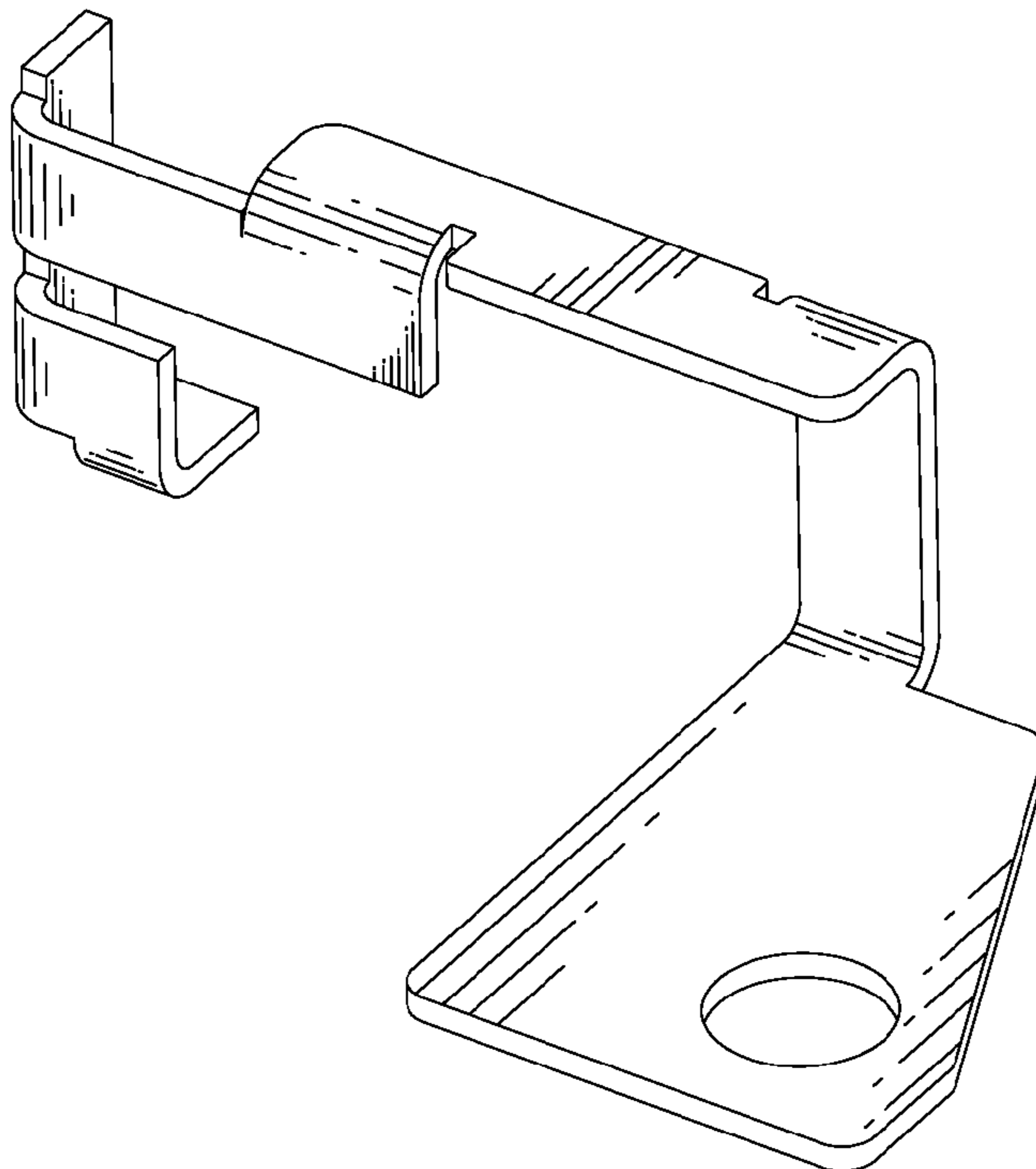
FIG. 4 is a left side elevational view thereof;

FIG. 5 is a right side elevational view thereof;

FIG. 6 is a top plan view thereof; and,

FIG. 7 is a bottom plan view thereof.

1 Claim, 7 Drawing Sheets



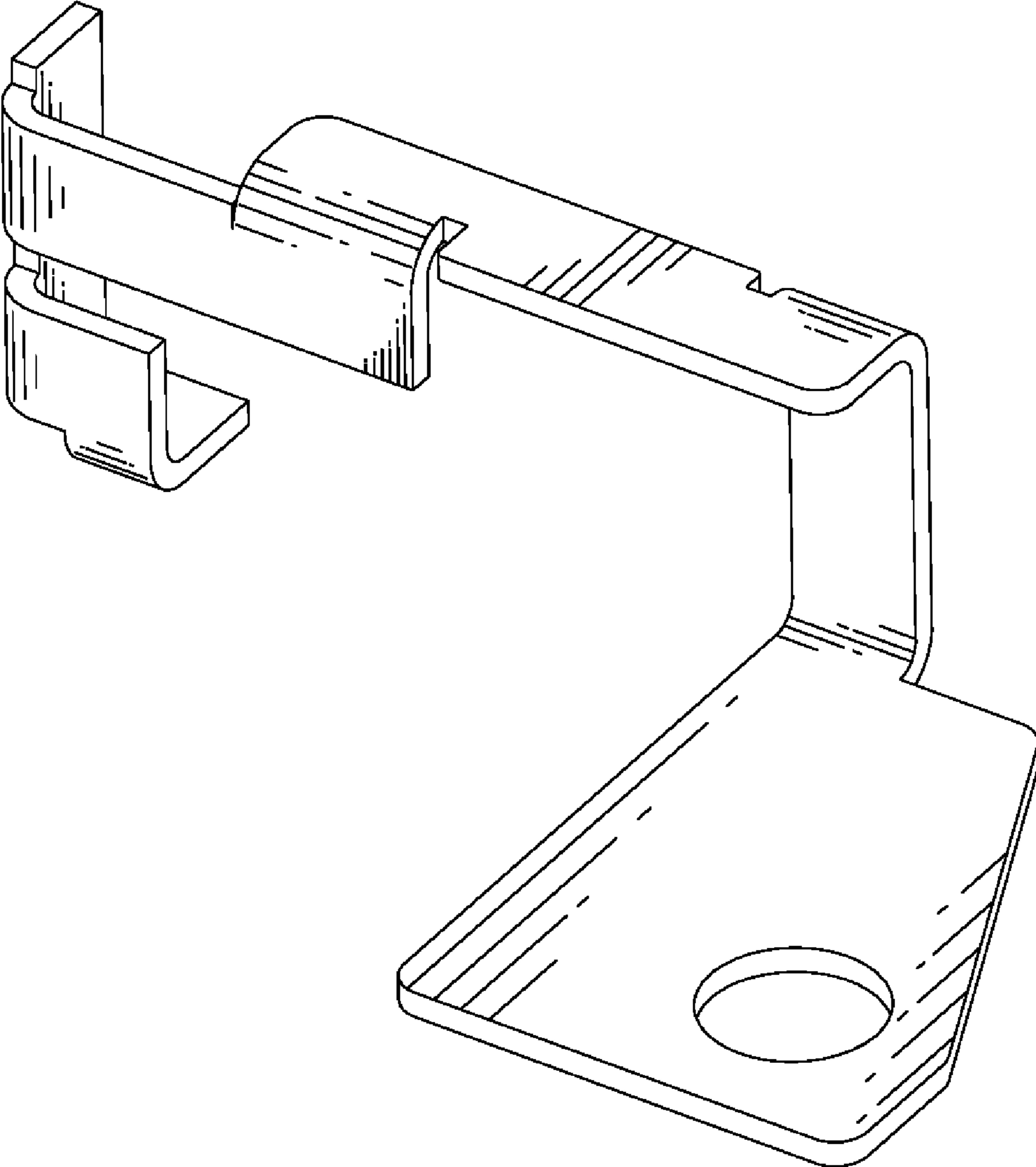


FIG. 1

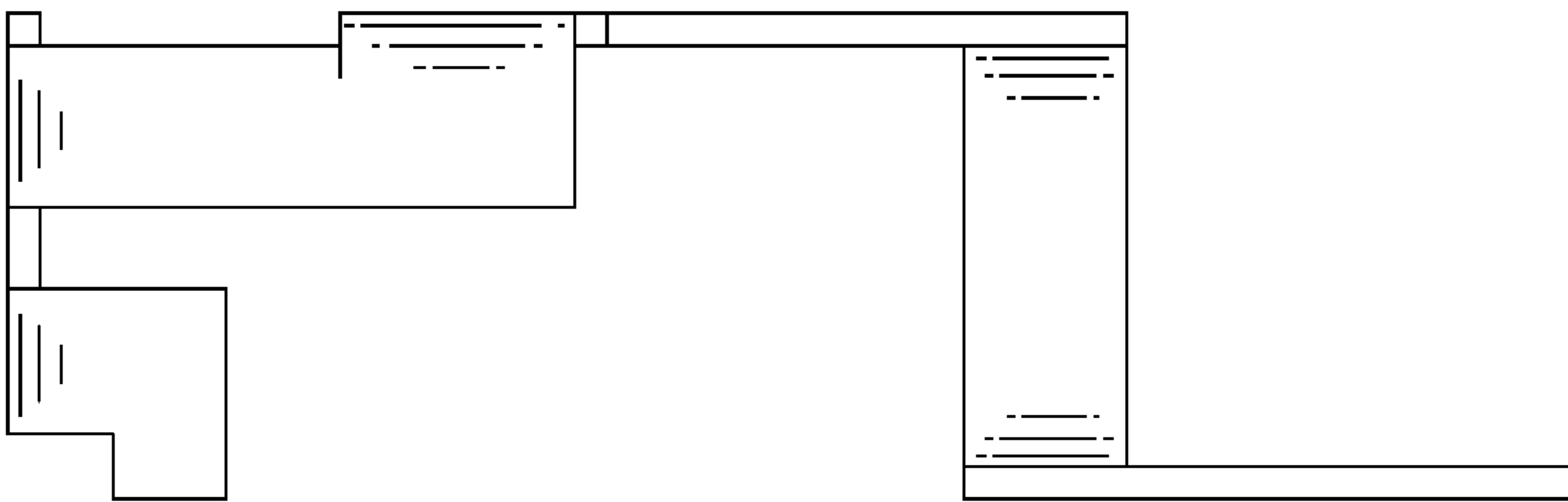


FIG. 2

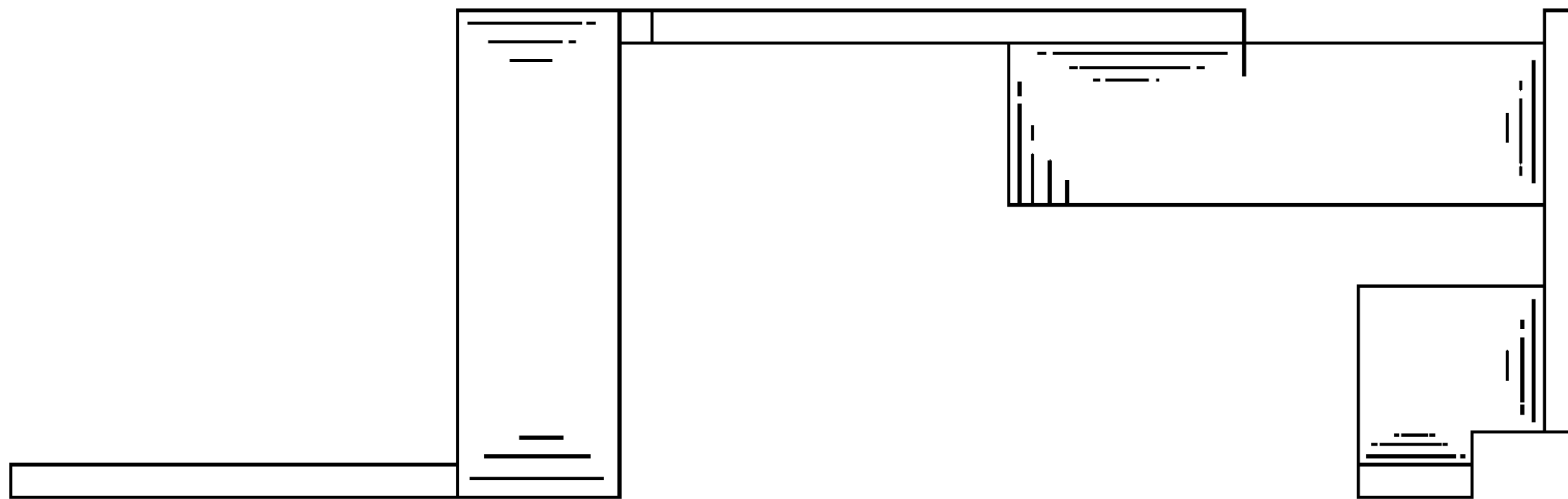


FIG. 3

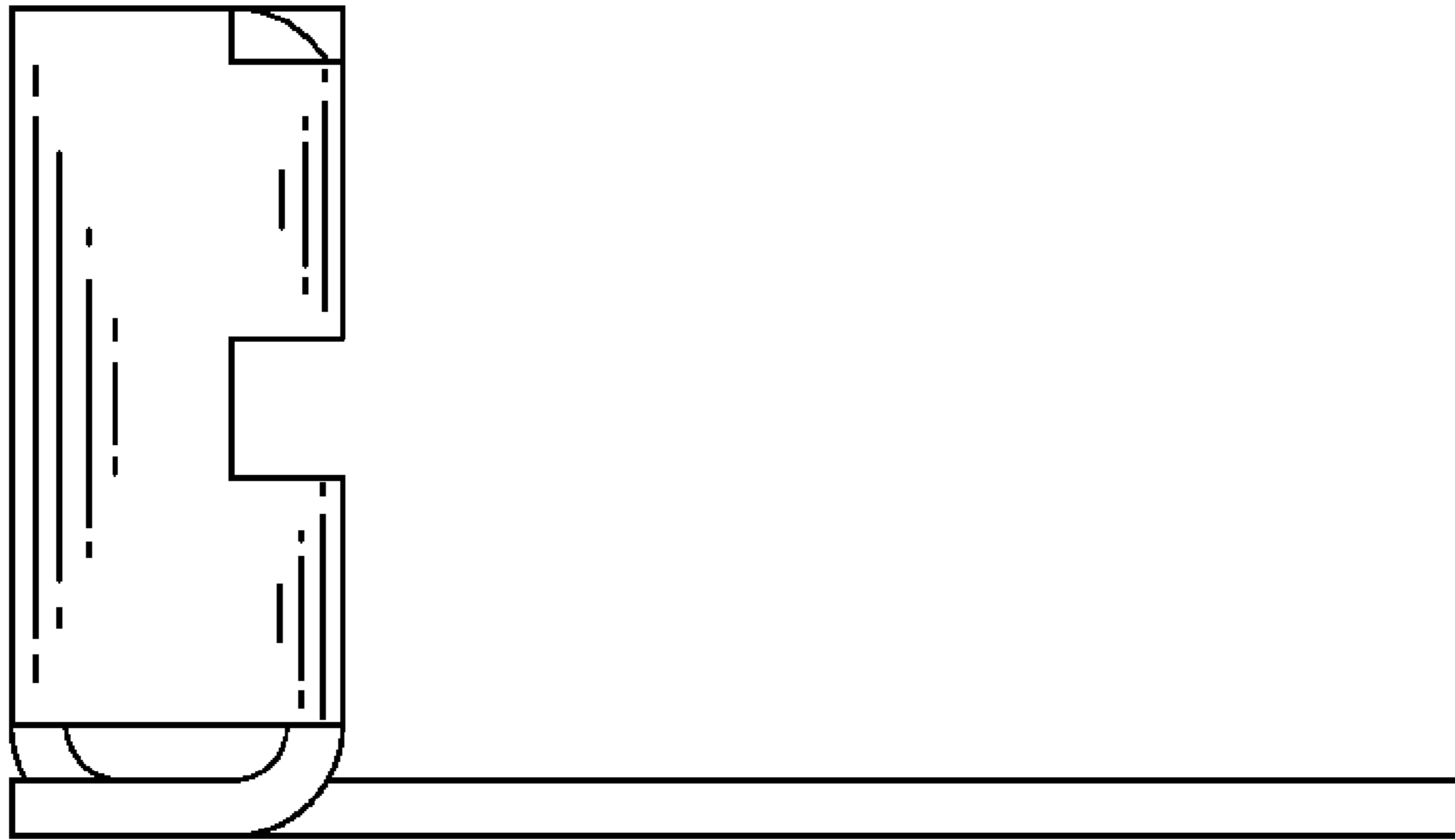


FIG. 4

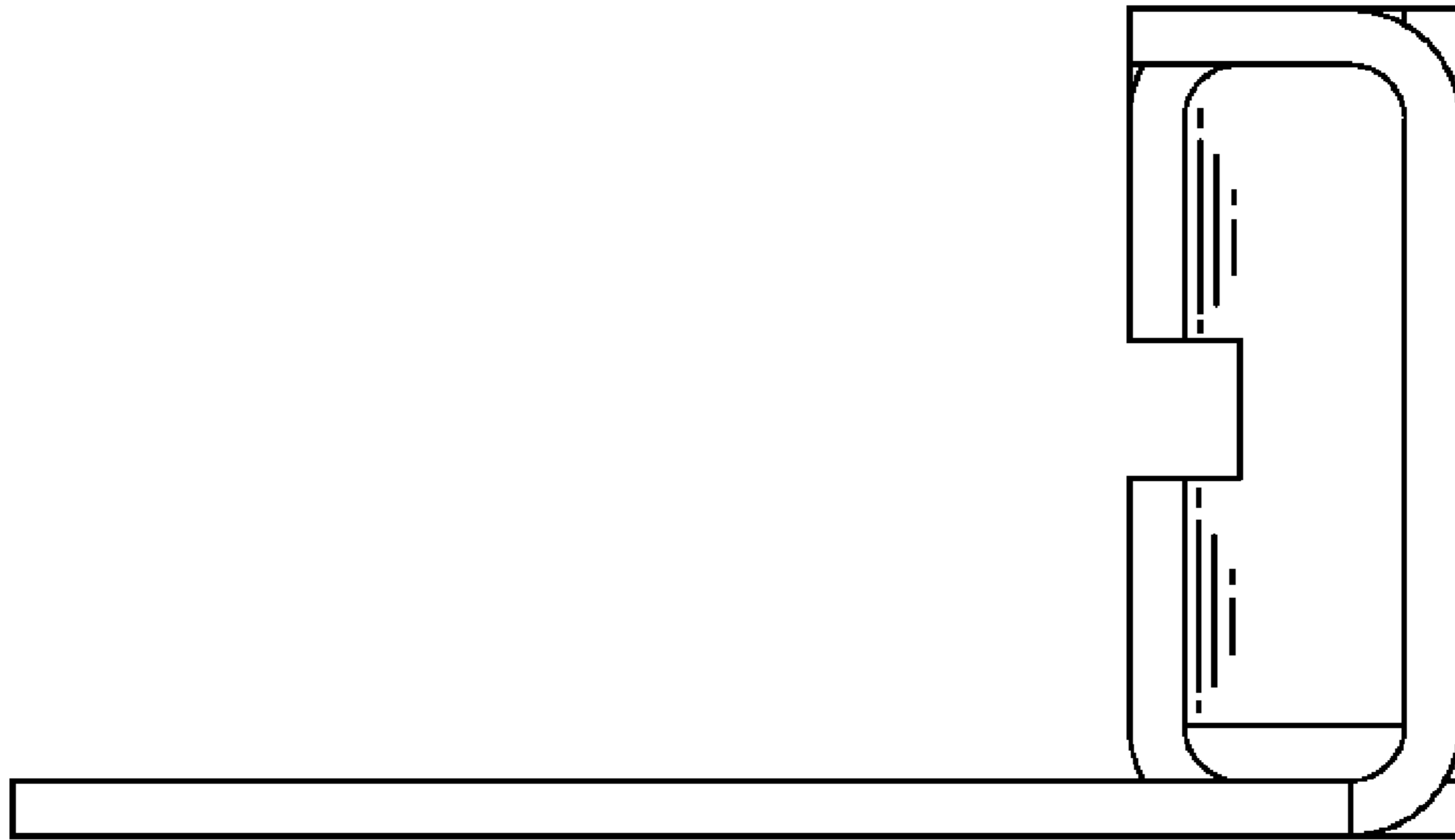


FIG. 5

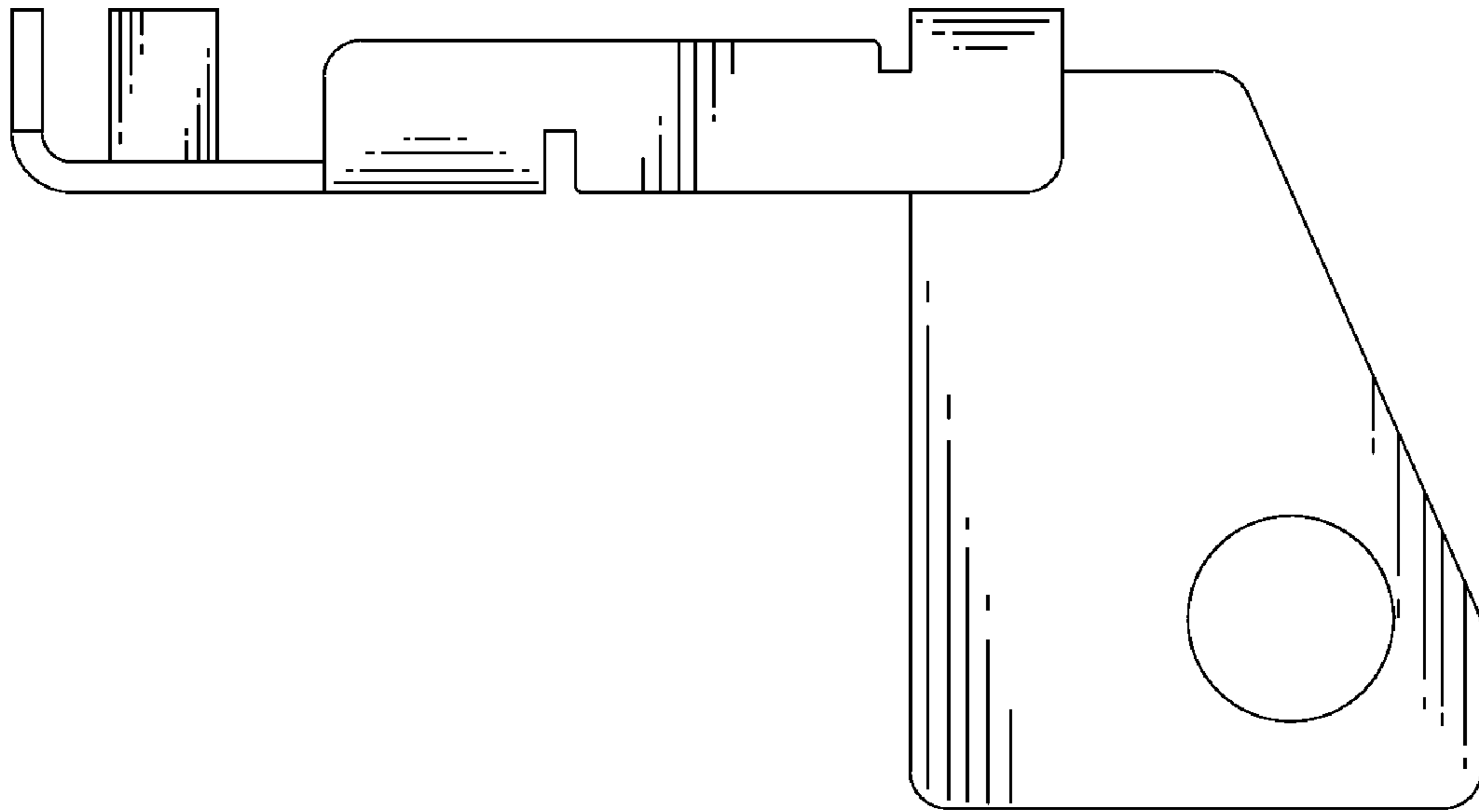


FIG. 6

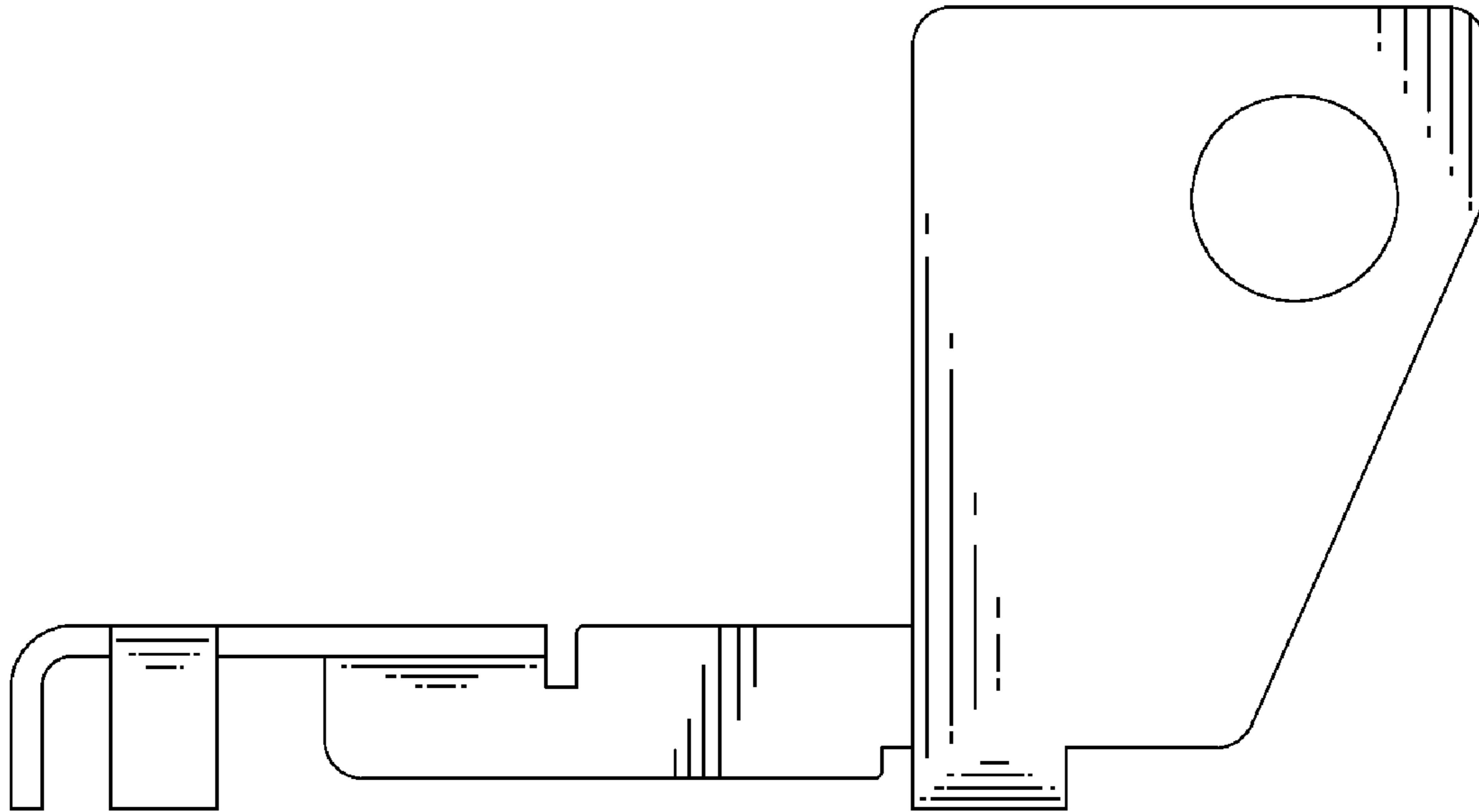


FIG. 7