



US00D636760S

(12) **United States Design Patent**
Cheng

(10) **Patent No.:** **US D636,760 S**

(45) **Date of Patent:** **** Apr. 26, 2011**

(54) **PORTABLE SPEAKER**

(75) Inventor: **Jung-Ching Cheng**, Taipei (TW)

(73) Assignee: **Cheng Uei Precision Indsutry Co., Ltd.**, Taipei (TW)

(**) Term: **14 Years**

(21) Appl. No.: **29/364,482**

(22) Filed: **Jun. 24, 2010**

(51) **LOC (9) Cl.** **14-01**

(52) **U.S. Cl.** **D14/216**

(58) **Field of Classification Search** D14/204,
D14/209.1, 210–216, 172; 181/143–144,
181/147–148, 150–153, 157, 198–199;
381/300–303, 306, 332–333, 336, 345, 361–364,
381/386–388

See application file for complete search history.

(56) **References Cited**

U.S. PATENT DOCUMENTS

D315,562 S * 3/1991 Brown D14/213
5,319,164 A * 6/1994 Shen 181/150

D362,442 S * 9/1995 Goldfarb D14/216
D415,159 S * 10/1999 Nakano D14/215
D521,982 S * 5/2006 Schafernak et al. D14/216
D596,159 S * 7/2009 Yamaji et al. D14/216

* cited by examiner

Primary Examiner — Nanda Bondade

(74) *Attorney, Agent, or Firm* — WPAT, P.C.; Anthony King

(57) **CLAIM**

The ornamental design for a portable speaker, as shown and described.

DESCRIPTION

FIG. 1 is a perspective view of a portable speaker showing my new design;

FIG. 2 is a front elevational view thereof;

FIG. 3 is a rear elevational view thereof;

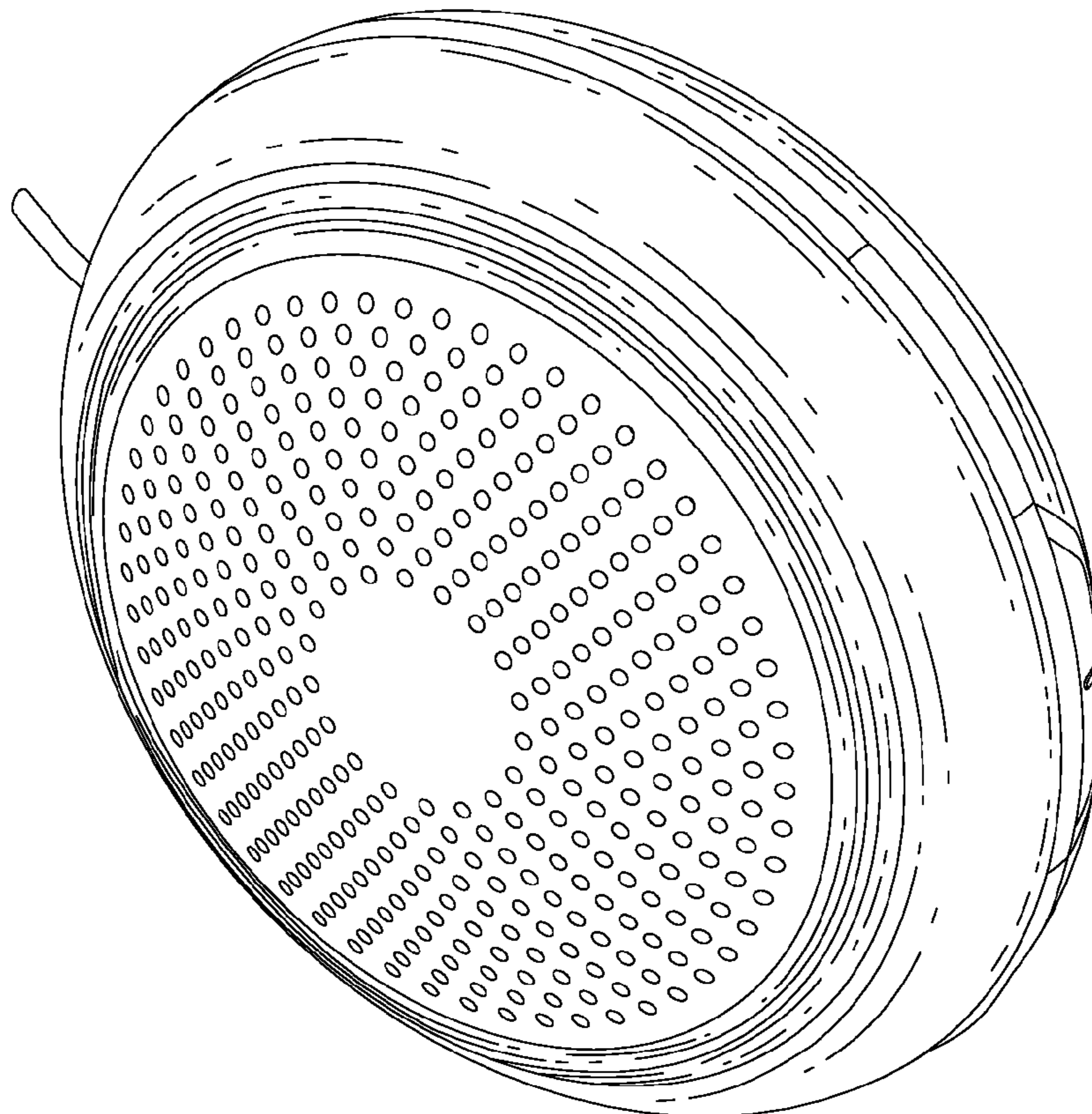
FIG. 4 is a left side elevational view thereof;

FIG. 5 is a right side elevational view thereof;

FIG. 6 is a top plan view thereof; and,

FIG. 7 is a bottom plan view thereof.

1 Claim, 7 Drawing Sheets



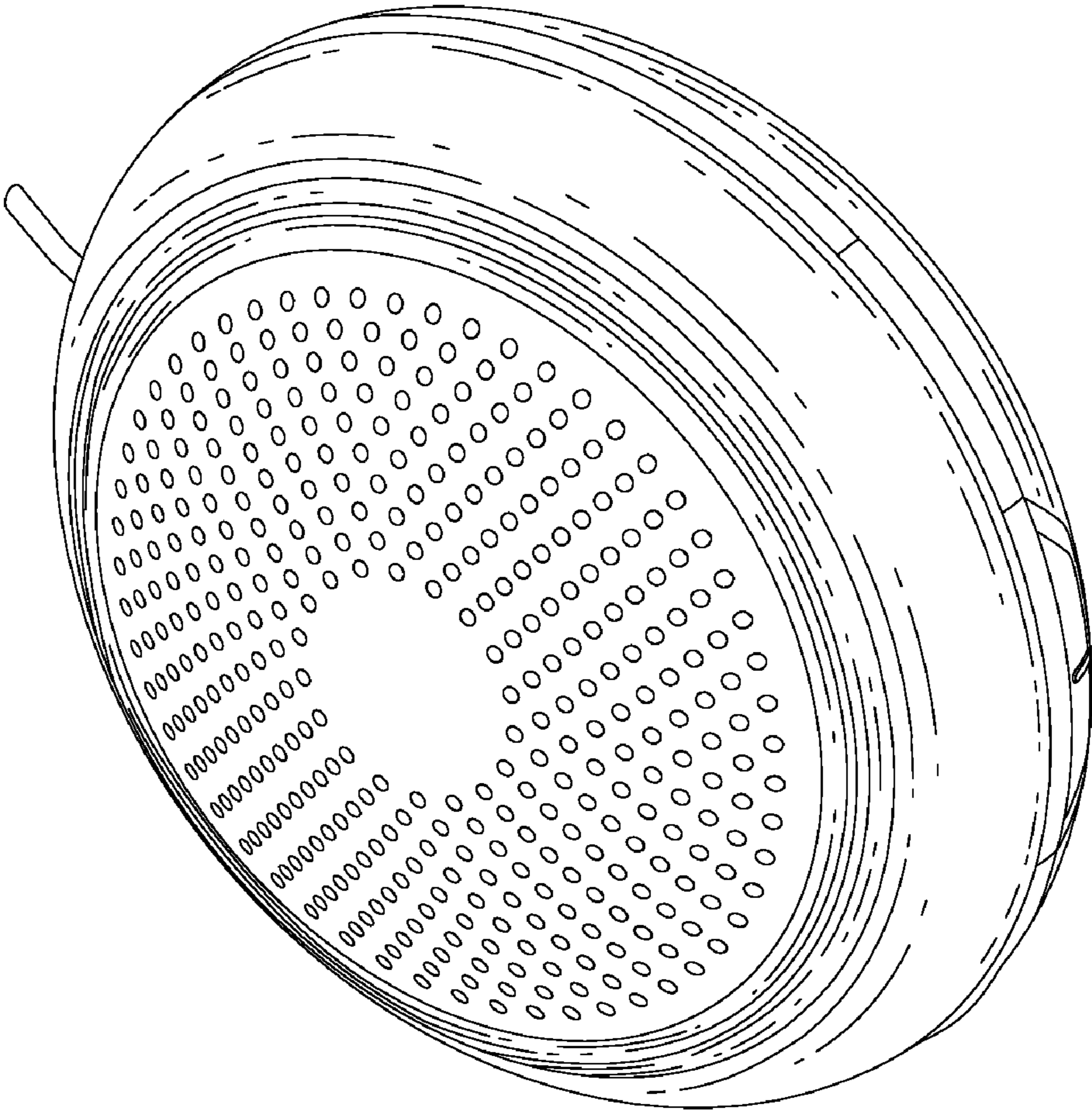


FIG. 1

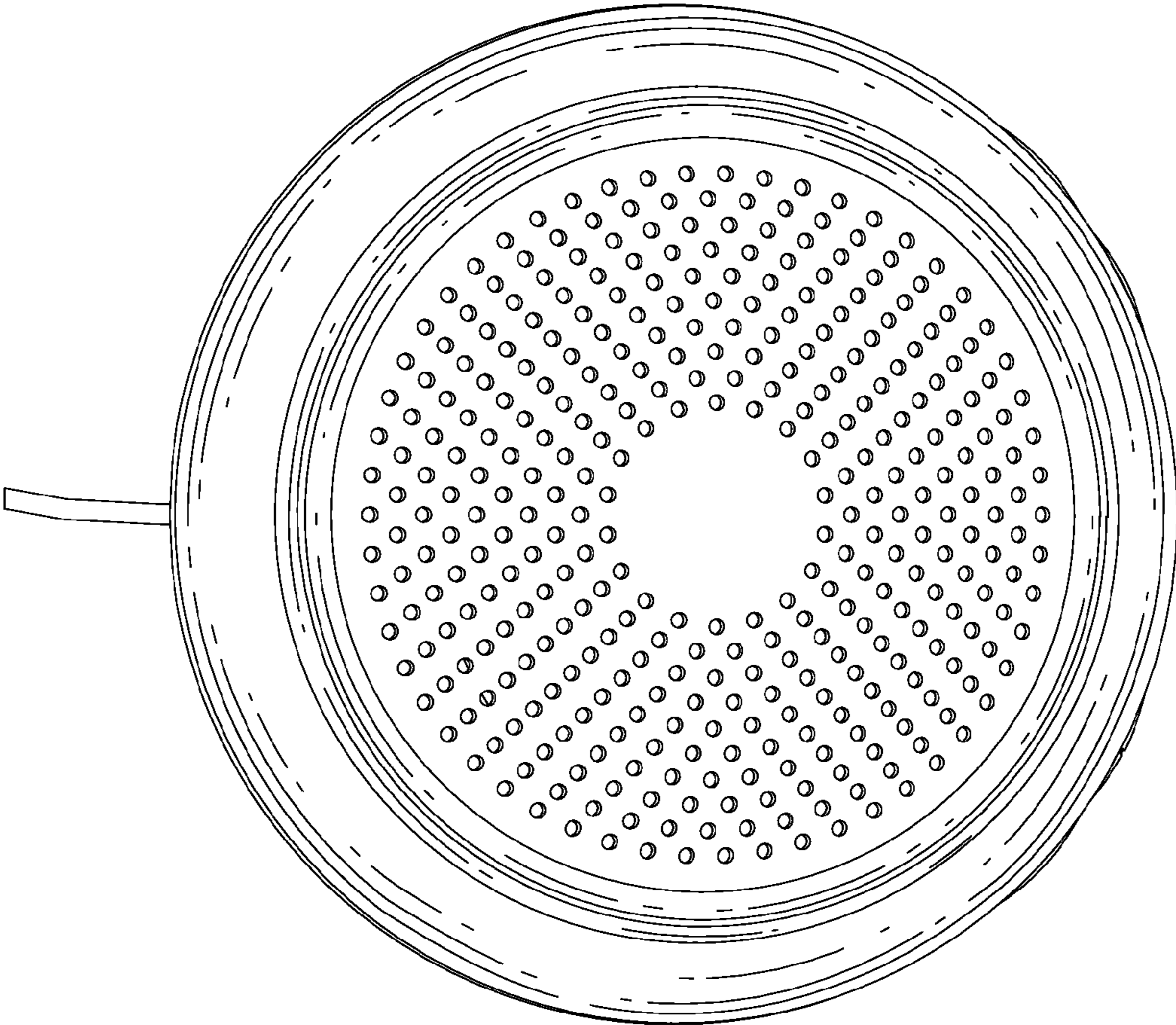


FIG. 2

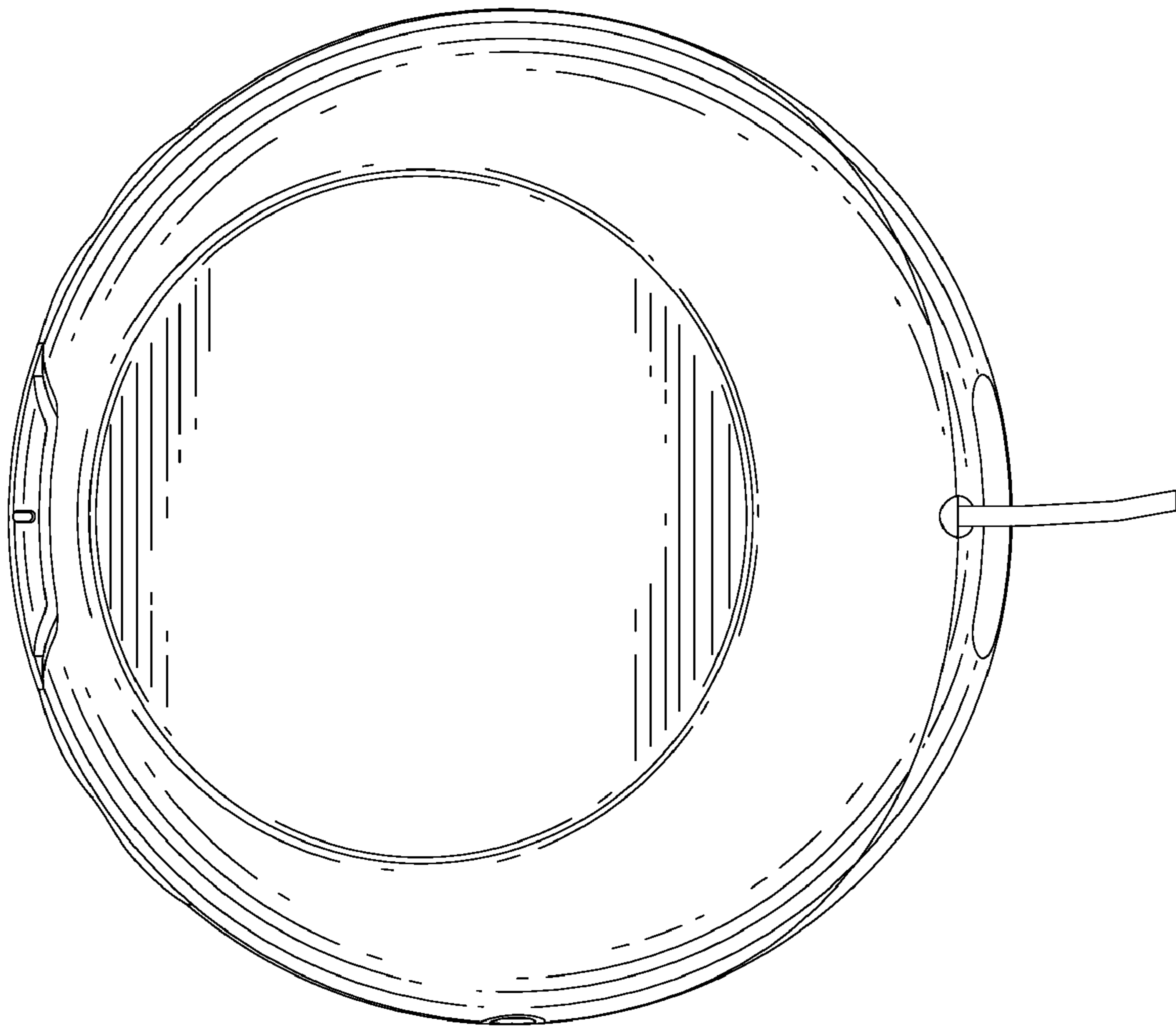


FIG. 3

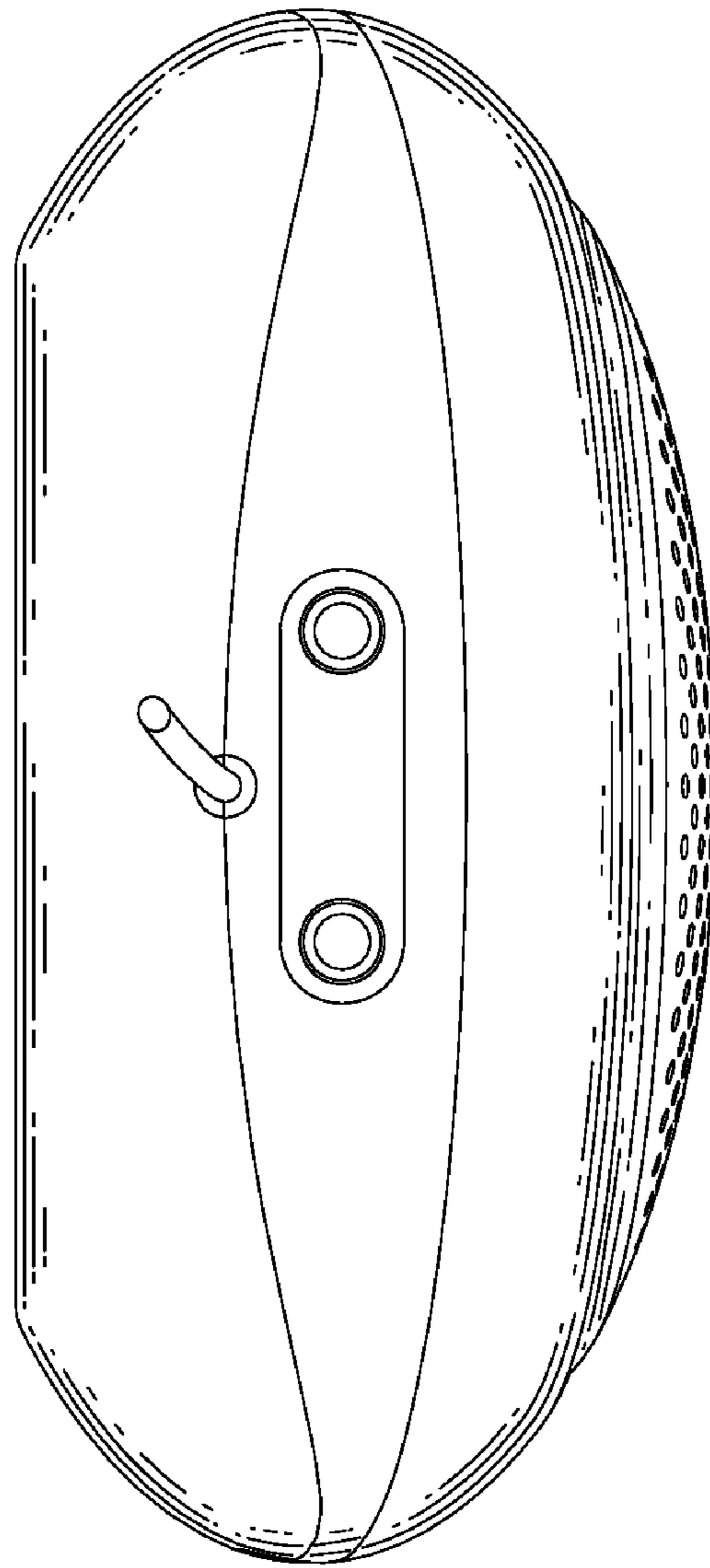


FIG. 4

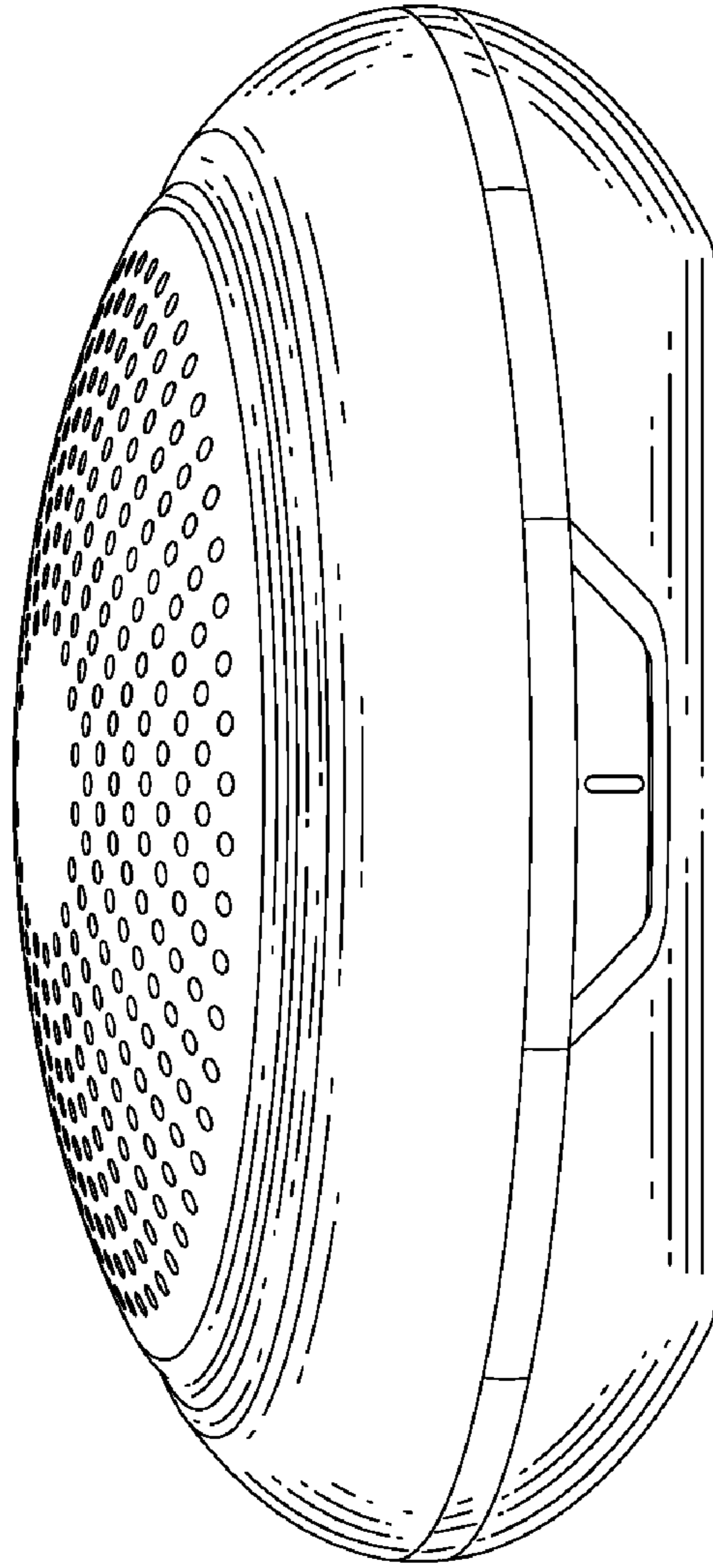


FIG. 5

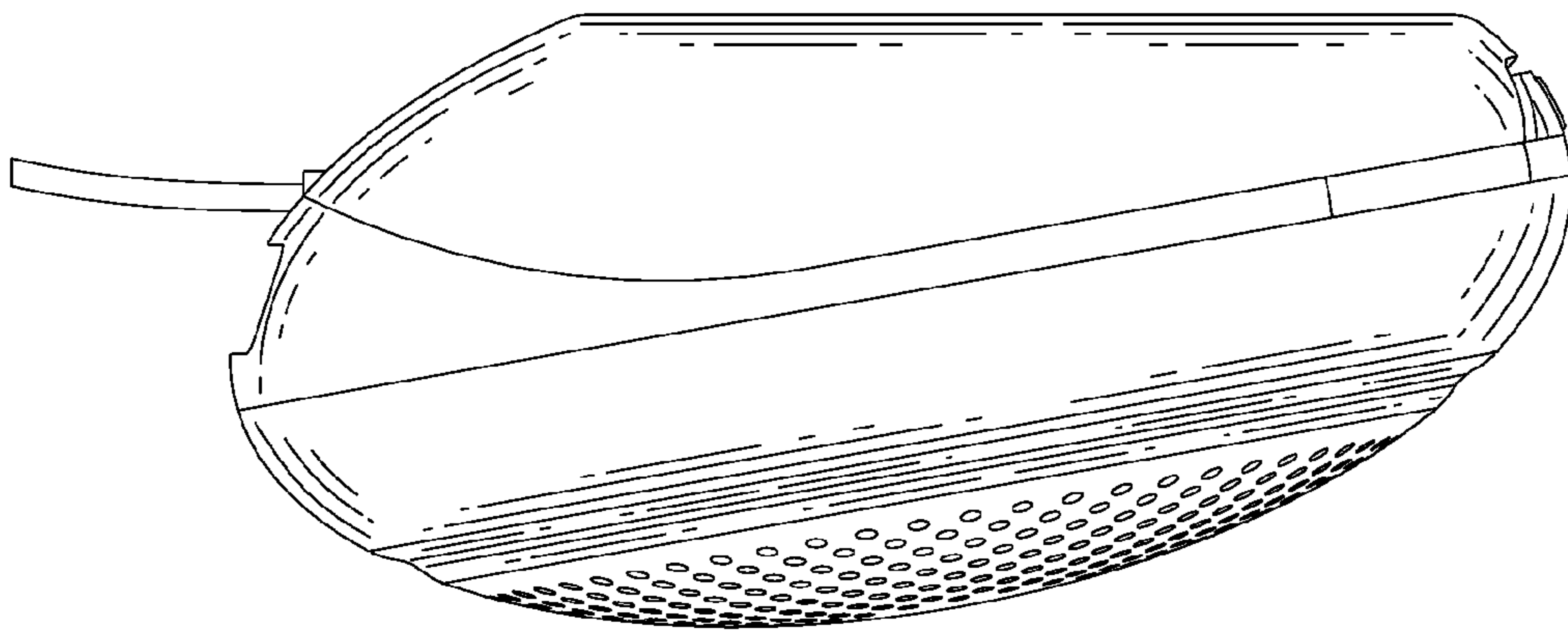


FIG. 6

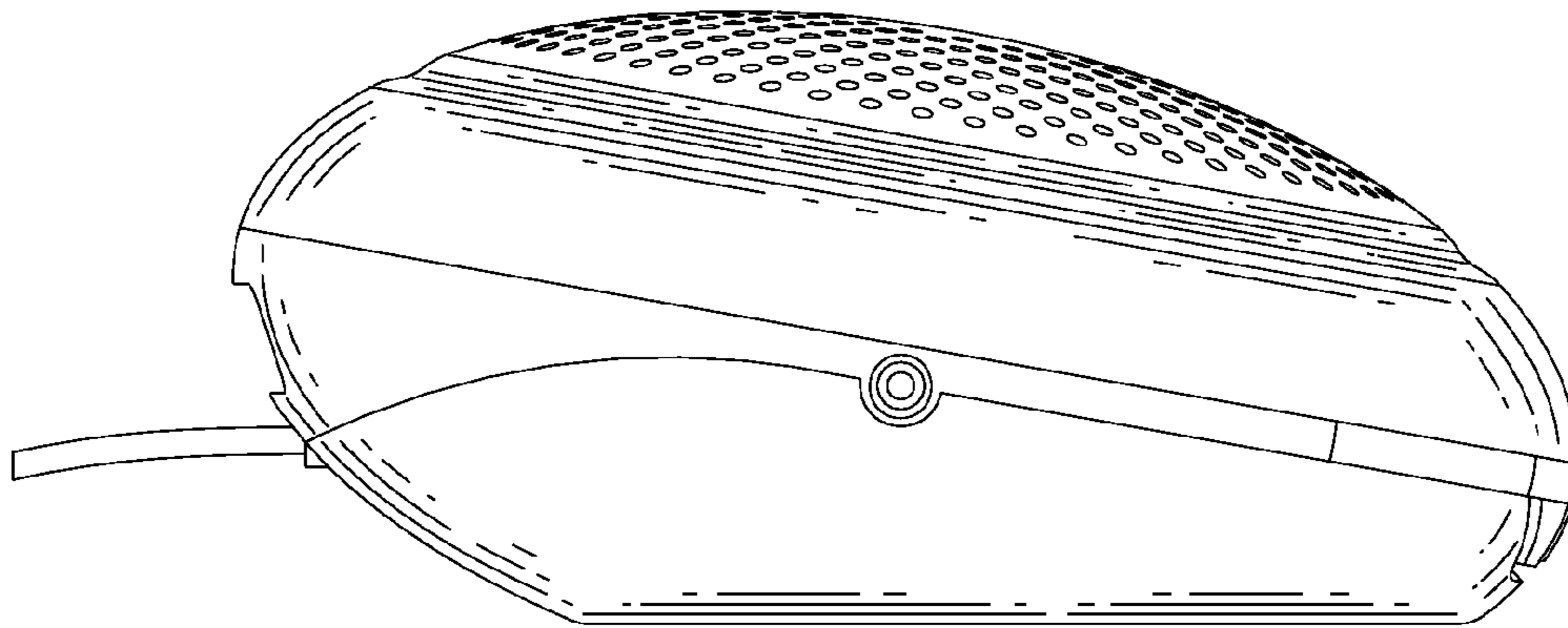


FIG. 7