



US00D636757S

(12) **United States Design Patent**  
**Yoshiizumi**

(10) **Patent No.:** **US D636,757 S**

(45) **Date of Patent:** **\*\* Apr. 26, 2011**

(54) **SPEAKER**

(75) Inventor: **Satoshi Yoshiizumi**, Hamamatsu (JP)

(73) Assignee: **Yamaha Corporation**, Shizuoka (JP)

(\*\*) Term: **14 Years**

(21) Appl. No.: **29/359,533**

(22) Filed: **Apr. 13, 2010**

(30) **Foreign Application Priority Data**

Oct. 14, 2009 (JP) ..... D2009-024005

(51) **LOC (9) Cl.** ..... **14-01**

(52) **U.S. Cl.** ..... **D14/214**

(58) **Field of Classification Search** ..... D14/204,  
D14/210–216, 172; 181/143–144, 147–148,  
181/150–153, 157, 198–199; 381/300–303,  
381/306, 332–333, 336, 345, 361–364, 386–388;  
D6/513, 552, 553

See application file for complete search history.

(56) **References Cited**

U.S. PATENT DOCUMENTS

D212,162 S \* 9/1968 Davis ..... D14/214  
D345,665 S \* 4/1994 Luther ..... D6/552  
D562,801 S \* 2/2008 Kim et al. .... D14/211

\* cited by examiner

*Primary Examiner* — Nanda Bondade

(74) *Attorney, Agent, or Firm* — Sughrue Mion, PLLC

(57) **CLAIM**

The ornamental design for a speaker, as shown and described.

**DESCRIPTION**

FIG. 1 is a perspective view of top, front and right side of a speaker showing my new design;  
FIG. 2 is a front view thereof;  
FIG. 3 is a top plan view thereof;  
FIG. 4 is a bottom view thereof;  
FIG. 5 is a right side view thereof; and,  
FIG. 6 is a perspective reference view thereof.  
The portions of the article in broken lines are shown for illustrative purposes only and form no part of the claimed design.

**1 Claim, 4 Drawing Sheets**

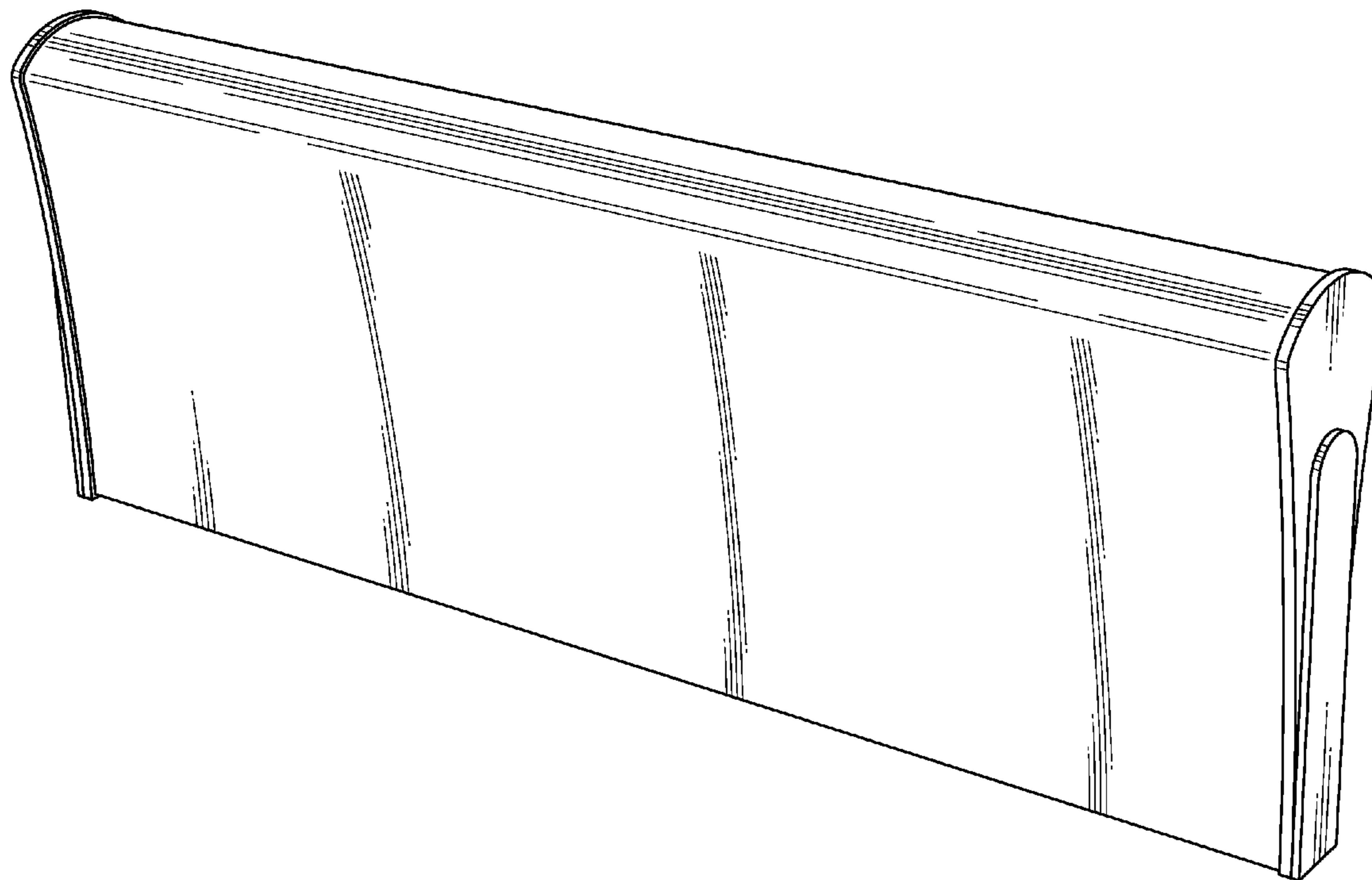


FIG.1

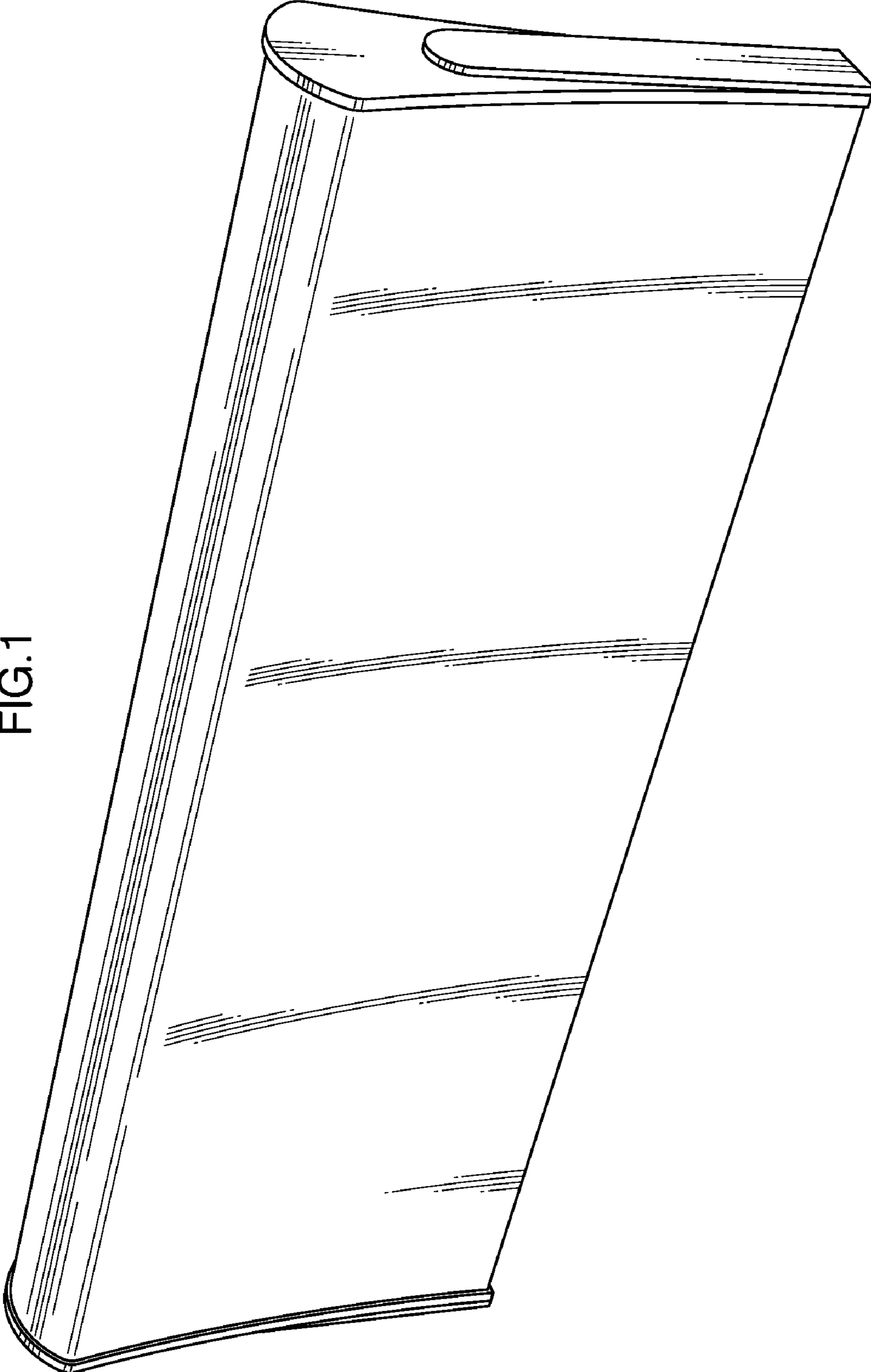


FIG.2



FIG.3

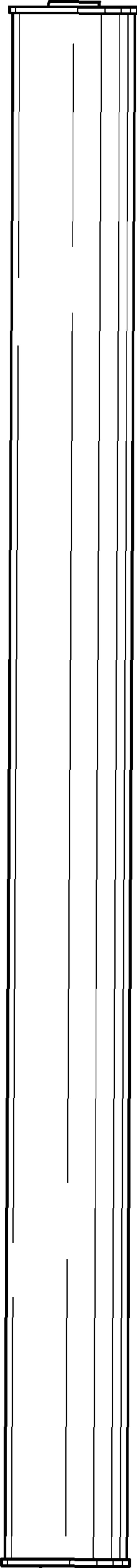


FIG.4

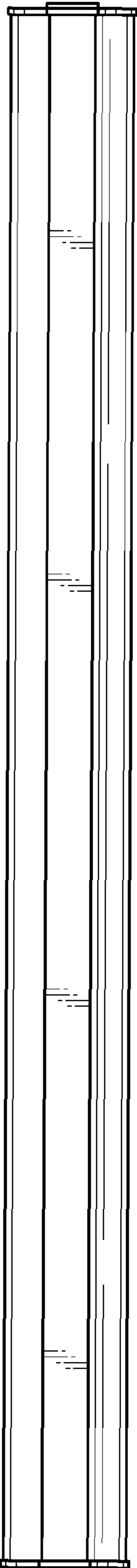


FIG.5

