



US00D636745S

(12) **United States Design Patent**
Yokota et al.

(10) **Patent No.:** **US D636,745 S**
(45) **Date of Patent:** **** Apr. 26, 2011**

- (54) **TELEVISION RECEIVER**
- (75) Inventors: **Hiroaki Yokota**, Tokyo (JP); **Yusuke Otani**, Tokyo (JP)
- (73) Assignee: **Sony Corporation**, Tokyo (JP)
- (**) Term: **14 Years**
- (21) Appl. No.: **29/309,664**
- (22) Filed: **Sep. 24, 2008**

Related U.S. Application Data

- (63) Continuation-in-part of application No. 29/290,474, filed on Dec. 10, 2007, now Pat. No. Des. 580,918, and a continuation-in-part of application No. 29/290,481, filed on Dec. 10, 2007, now Pat. No. Des. 578,087.

(30) **Foreign Application Priority Data**

Mar. 31, 2008 (JP) D2008-008225
 Mar. 31, 2008 (JP) D2008-008226

(51) **LOC (9) Cl.** **14-03**

(52) **U.S. Cl.** **D14/126**

(58) **Field of Classification Search** D14/125-134,
 D14/239, 371, 136, 374-377; 312/7.2; 348/836,
 348/838, 180, 184, 325, 739; 341/12; 248/917-924,
 248/465, 123.11; 345/104, 133, 156, 168,
 345/87, 173, 169; 349/1, 2, 11, 62; 720/605,
 720/669, 600, 655, 99, 197; 455/344-347;
 369/99, 197

See application file for complete search history.

(56) **References Cited**

U.S. PATENT DOCUMENTS

D217,225 S 4/1970 Fitsimmons
 4,278,225 A 7/1981 Phelps
 D312,205 S 11/1990 de Rooij et al.
 D317,910 S 7/1991 Hawkins et al.
 D344,933 S 3/1994 Wiseman et al.
 D349,489 S 8/1994 Wang et al.
 D383,739 S 9/1997 Gilgen et al.
 D400,781 S 11/1998 Wilkening et al.
 D410,447 S 6/1999 Chang et al.

6,015,120 A 1/2000 Sweere et al.
 D421,383 S 3/2000 Walker et al.
 D447,047 S 8/2001 Clifford
 D453,022 S 1/2002 Oba et al.
 D462,359 S 9/2002 Scharer et al.
 6,657,853 B2 12/2003 Oba et al.
 6,873,521 B2 3/2005 Landry et al.
 D510,088 S 9/2005 Jobs et al.
 D512,424 S 12/2005 Kim et al.
 D521,996 S 5/2006 Kim et al.
 D526,291 S 8/2006 Anzures
 D537,323 S 2/2007 Saez
 7,177,144 B2 2/2007 Ha et al.
 D539,273 S 3/2007 Fujii et al.
 D545,313 S 6/2007 Kim et al.
 D545,315 S 6/2007 Kim et al.
 7,258,311 B2 8/2007 Yen et al.
 D554,639 S 11/2007 Kim et al.
 D556,756 S 12/2007 Kataoka et al.
 D569,815 S 5/2008 Otani et al.
 D578,087 S 10/2008 Yokota et al.
 D580,918 S 11/2008 Yokota et al.
 D580,919 S 11/2008 Yokota et al.
 D581,405 S 11/2008 Yokota et al.
 D618,187 S * 6/2010 Suzuki D14/126
 7,819,368 B2 * 10/2010 Jung et al. 248/133
 D627,348 S * 11/2010 Wang D14/374
 D627,349 S * 11/2010 Wang D14/374
 D627,350 S * 11/2010 Li D14/374

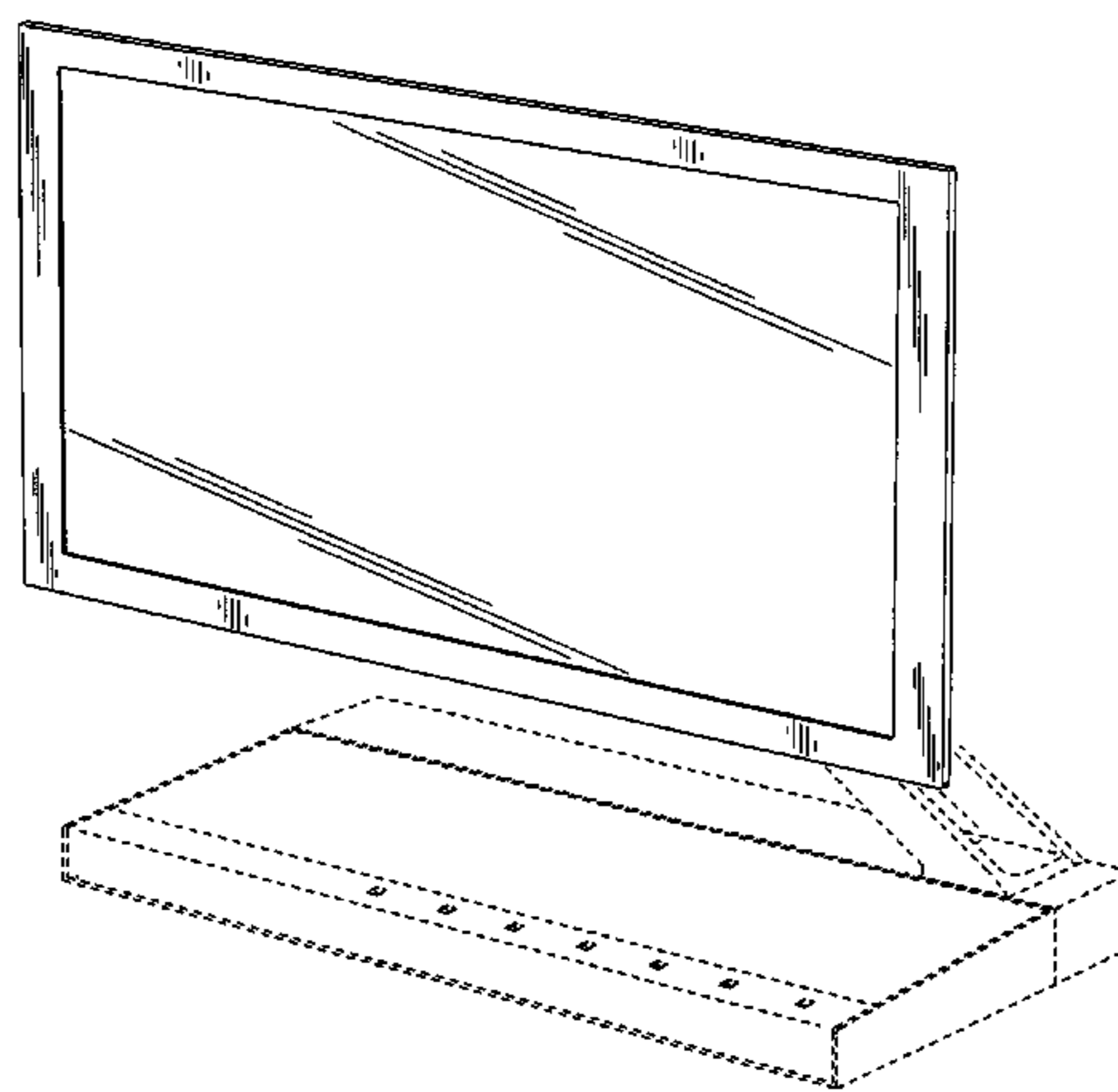
FOREIGN PATENT DOCUMENTS

JP D755193 S 2/1989
 JP D1155176 S 10/2002
 JP D1176244 S 6/2003
 JP D1193591 S 1/2004
 JP D1193724 S 1/2004
 JP D1194787 S 1/2004
 JP D1221477 S 11/2004
 JP D1259917 S 1/2006
 JP D1261298 S 1/2006
 JP D1292362 S 1/2007
 JP D1327465 S 4/2008
 JP D1327998 S 4/2008
 KR D30-0334382 S 10/2003

OTHER PUBLICATIONS

Decision of Appeal, Japanese Design Application No. 2007-015723
 mailed on Jul. 3, 2009 (Japan).

* cited by examiner



Primary Examiner — Raphael Barkai

Assistant Examiner — Randall Gholson

(74) *Attorney, Agent, or Firm* — Rader, Fishman & Grauer
PLLC

(57)

CLAIM

The ornamental design for a television receiver, as shown and described.

DESCRIPTION

FIG. 1 is a front right top perspective view of a first embodiment of a television receiver showing our new design;

FIG. 2 is a front side elevational view thereof;

FIG. 3 is a rear side elevational view thereof;

FIG. 4 is a left side elevational view thereof;

FIG. 5 is a right side elevational view thereof;

FIG. 6 is a top plan view thereof;

FIG. 7 is a cross sectional bottom plan view thereof, taken along a line 7—7 of FIG. 2; and

FIG. 8 is a rear left top perspective view thereof.

FIG. 9 is a front right top perspective view of a second embodiment of a television receiver showing our new design;

FIG. 10 is a front side elevational view thereof;

FIG. 11 is a rear side elevational view thereof;

FIG. 12 is a left side elevational view thereof;

FIG. 13 is a right side elevational view thereof;

FIG. 14 is a top plan view thereof;

FIG. 15 is a cross sectional bottom plan view thereof, taken along a line 15—15 of FIG. 10; and

FIG. 16 is a rear left top perspective view thereof.

FIG. 17 is a front right top perspective view of a third embodiment of a television receiver showing our new design;

FIG. 18 is a rear left top perspective view thereof;

FIG. 19 is a front side elevational view thereof;

FIG. 20 is a rear side elevational view thereof;

FIG. 21 is a right side elevational view thereof, a left side elevational view thereof being a mirror image of the right side elevational view thereof;

FIG. 22 is a top plan view thereof; and

FIG. 23 is a cross sectional bottom plan view thereof, taken along the line 23—23 of FIG. 19;

FIG. 24 is a front right top perspective view of a fourth embodiment of a television receiver showing our new design;

FIG. 25 is a rear left top perspective view thereof;

FIG. 26 is a front side elevational view thereof;

FIG. 27 is a rear side elevational view thereof;

FIG. 28 is a right side elevational view thereof, a left side elevational view thereof being a mirror image of the right side elevational view thereof;

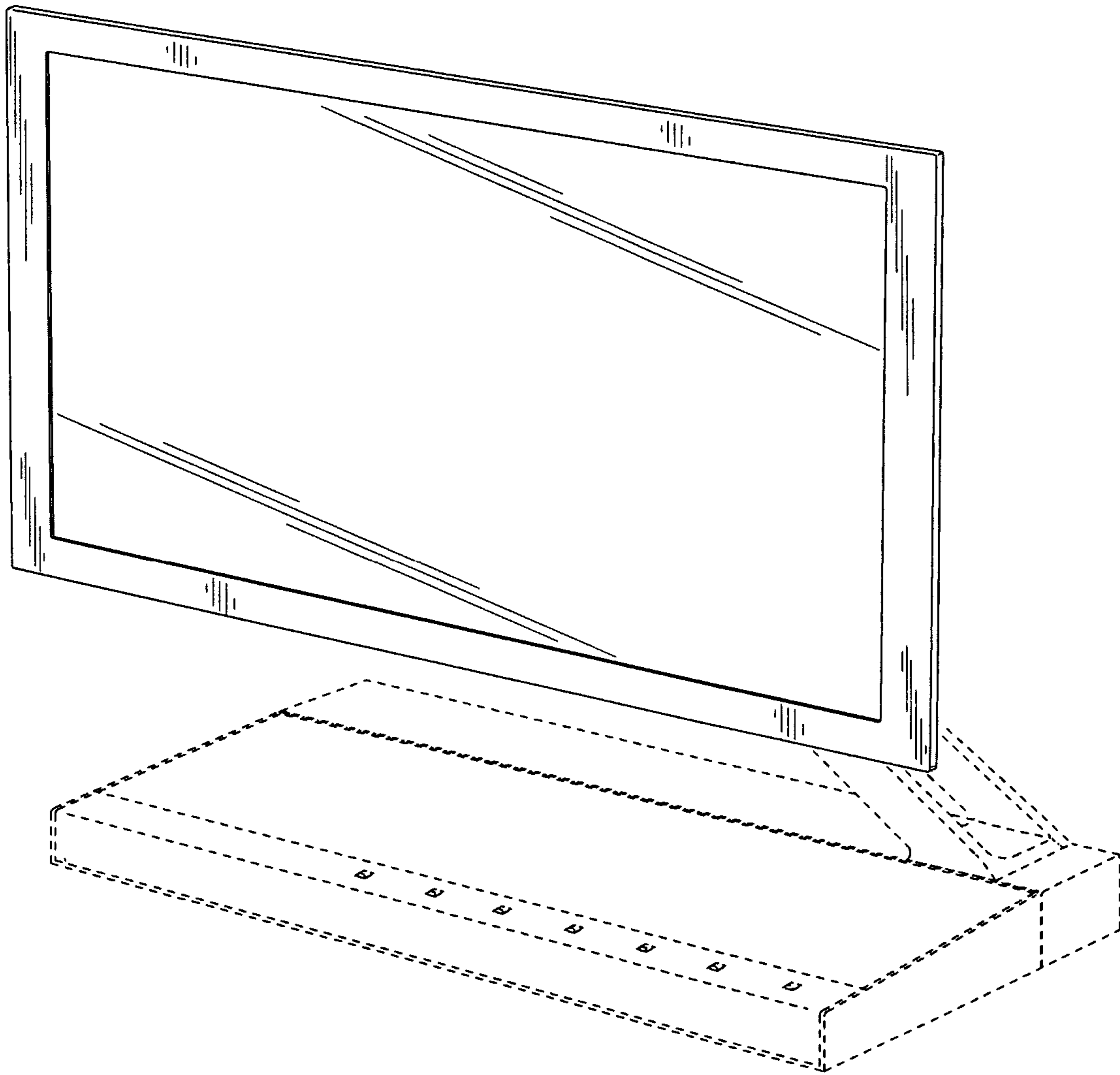
FIG. 29 is a top plan view thereof; and,

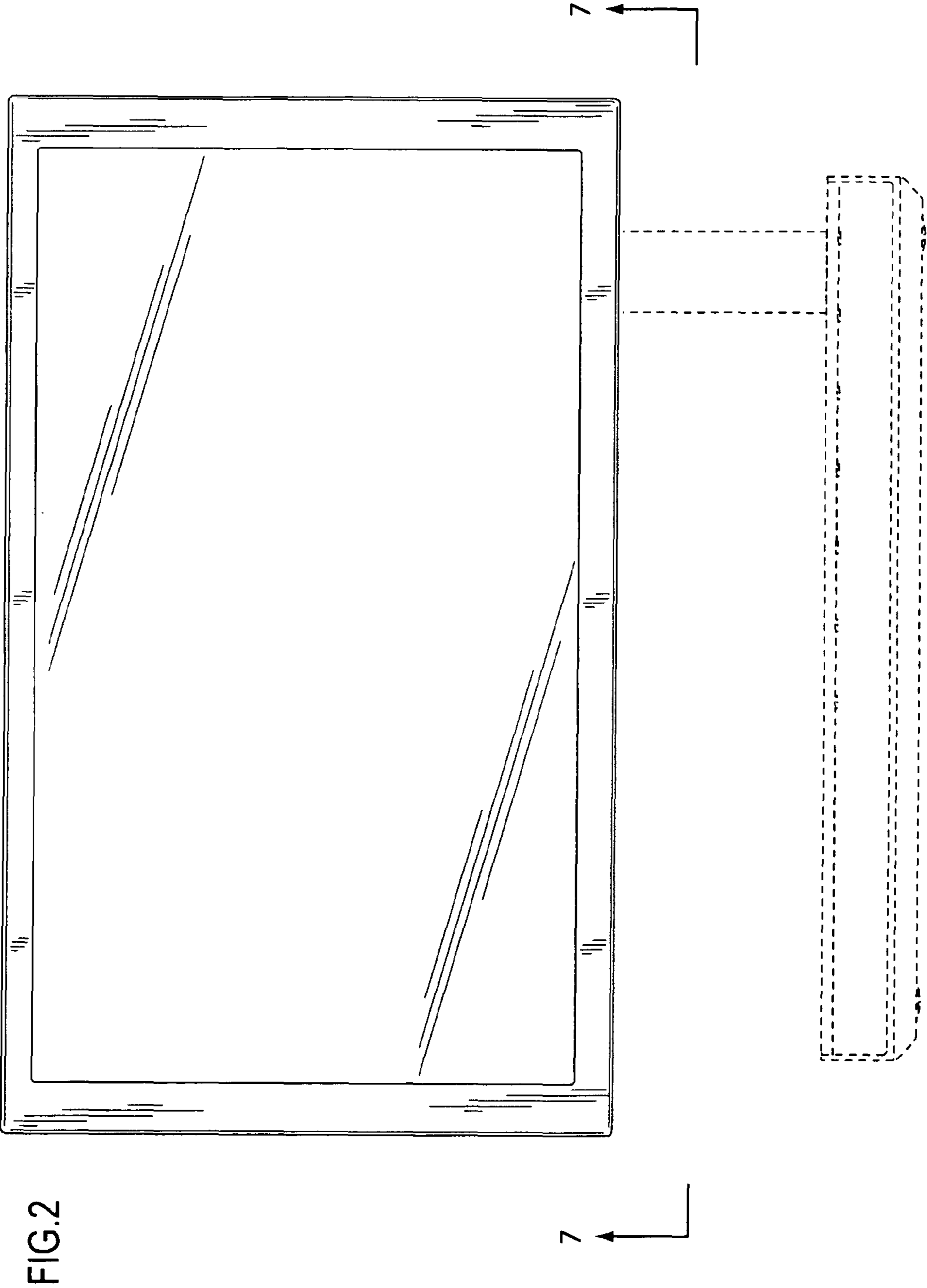
FIG. 30 is a cross sectional bottom plan view thereof, taken along the line 30—30 of FIG. 26.

Portions that are shown in even broken lines are illustrative purpose only and form no part of the claimed design. Dot-dash broken lines shown in the FIGS. 23 and 30 define, but are not included in, the boundaries of the claimed design.

1 Claim, 30 Drawing Sheets

FIG.1





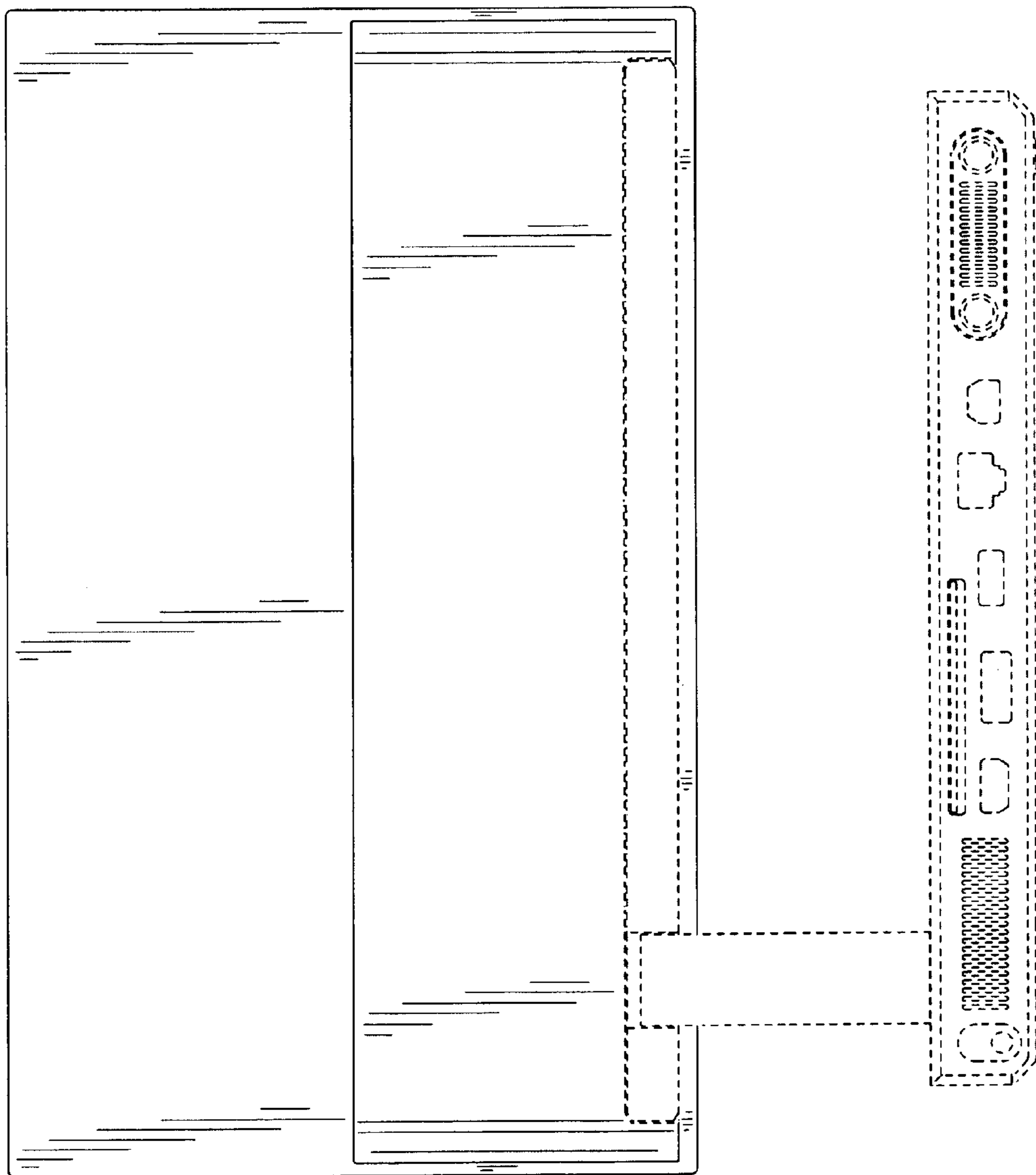


FIG.3

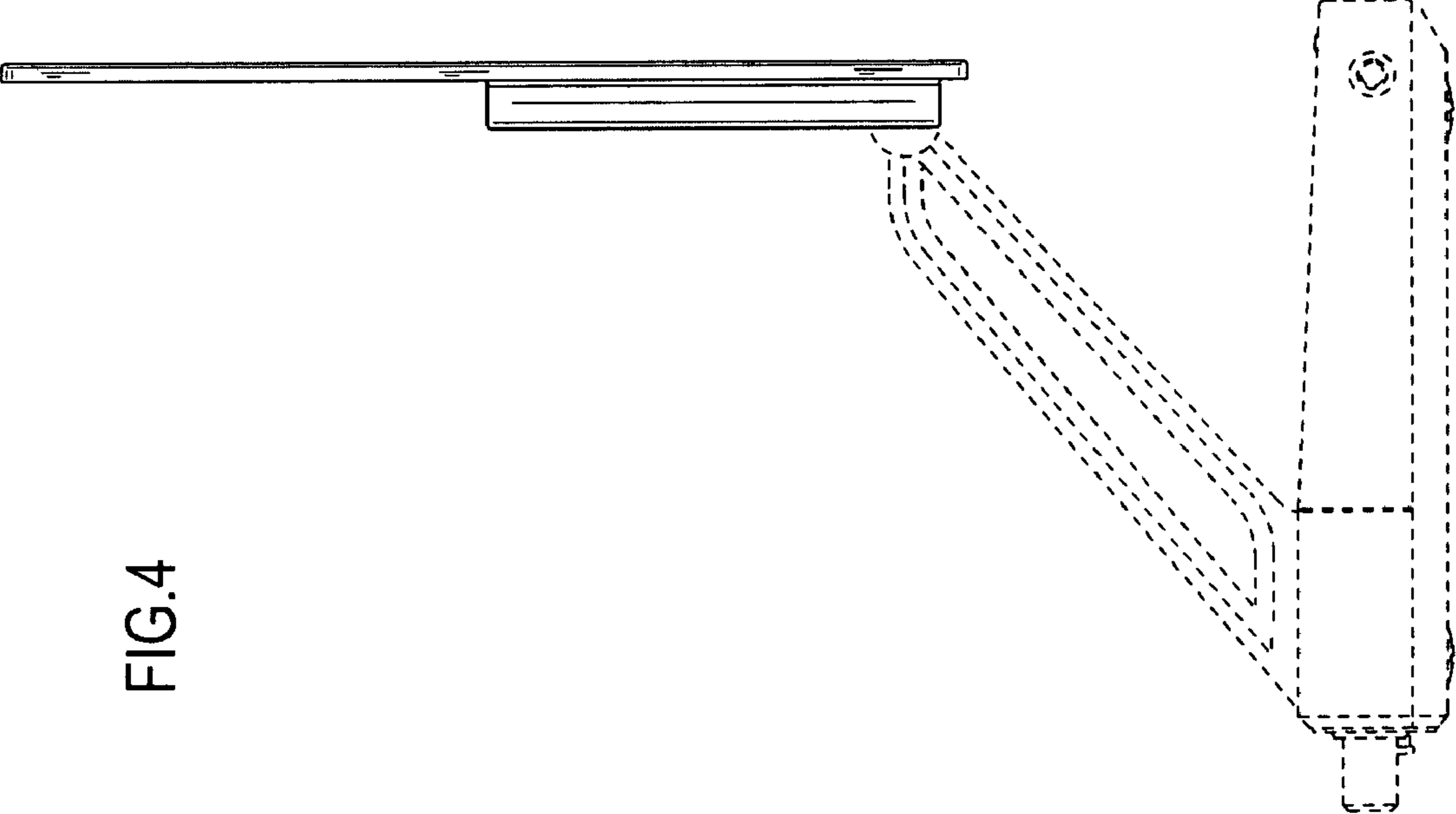


FIG.4

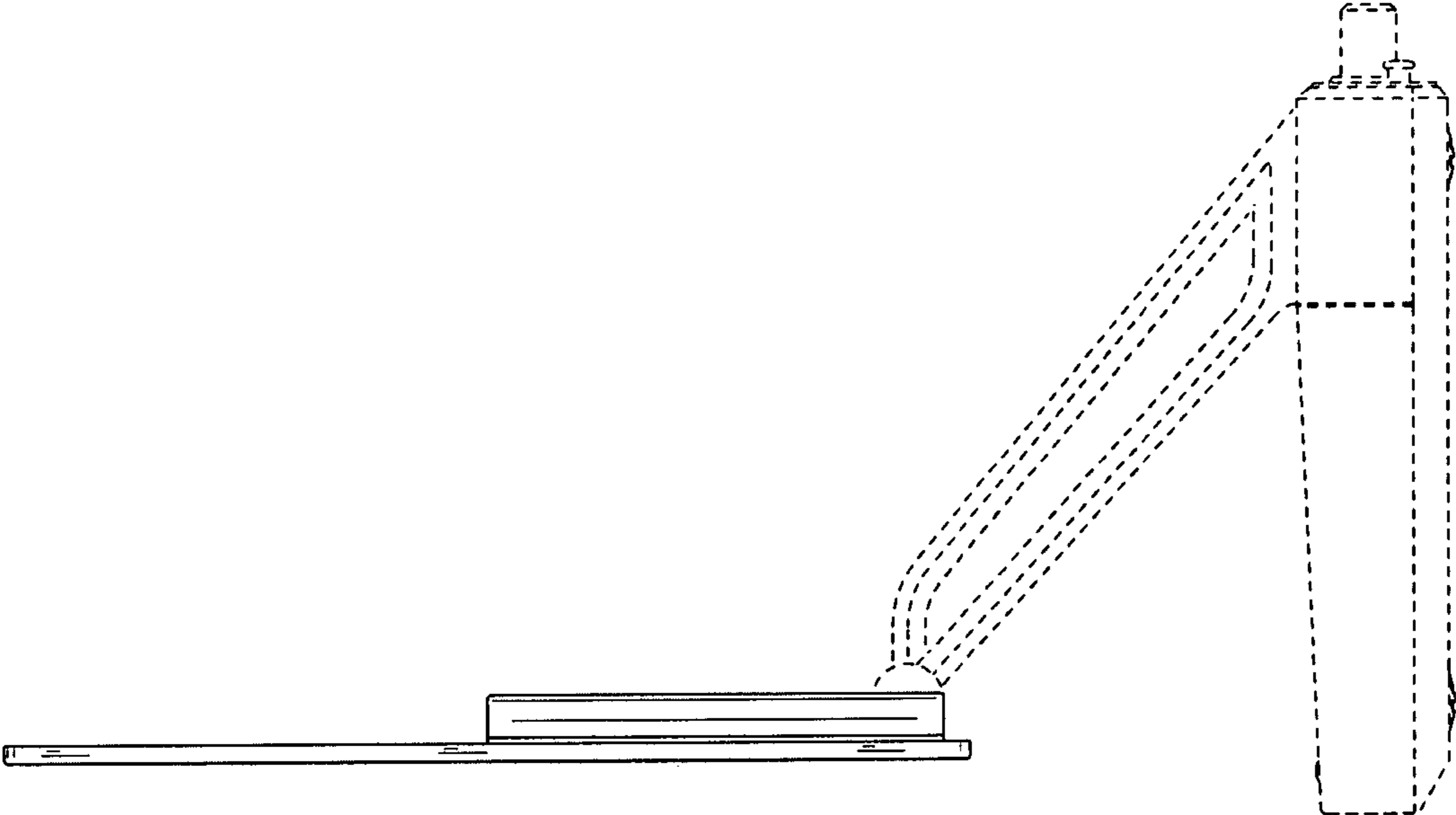


FIG.5

FIG.6

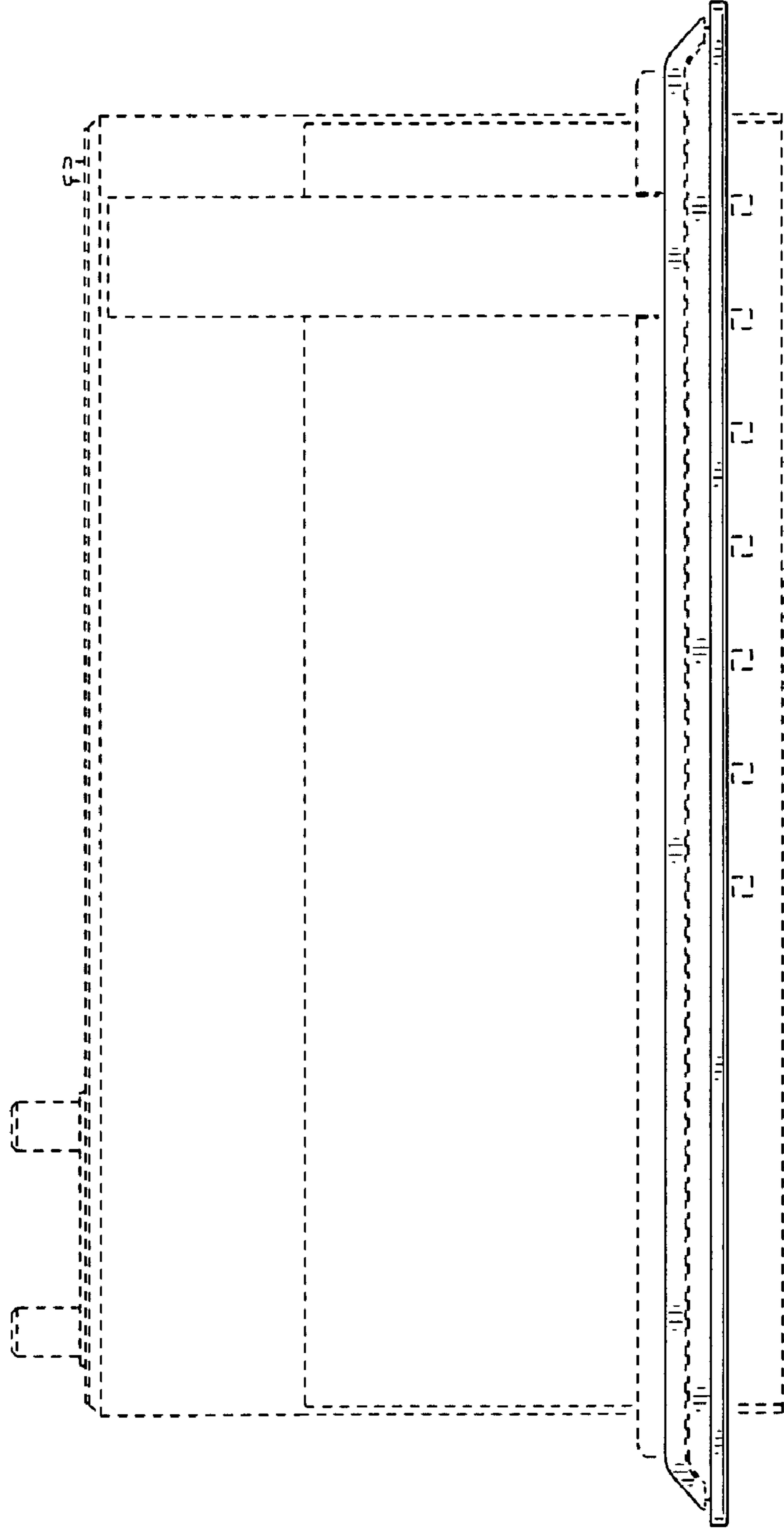
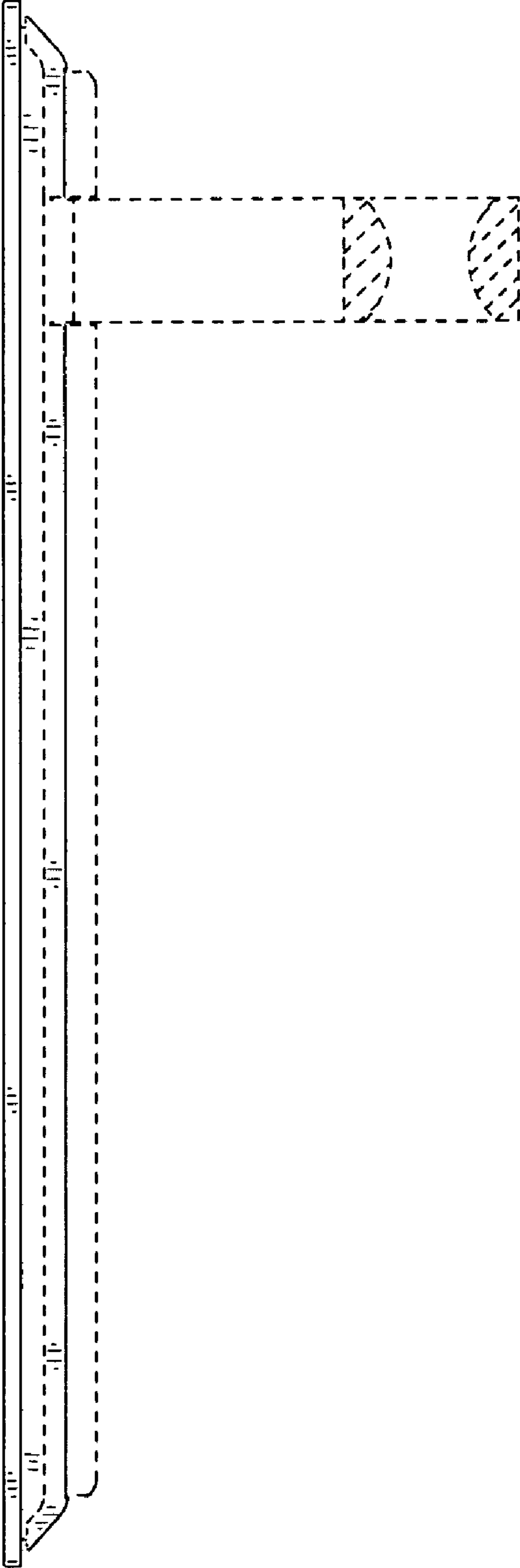
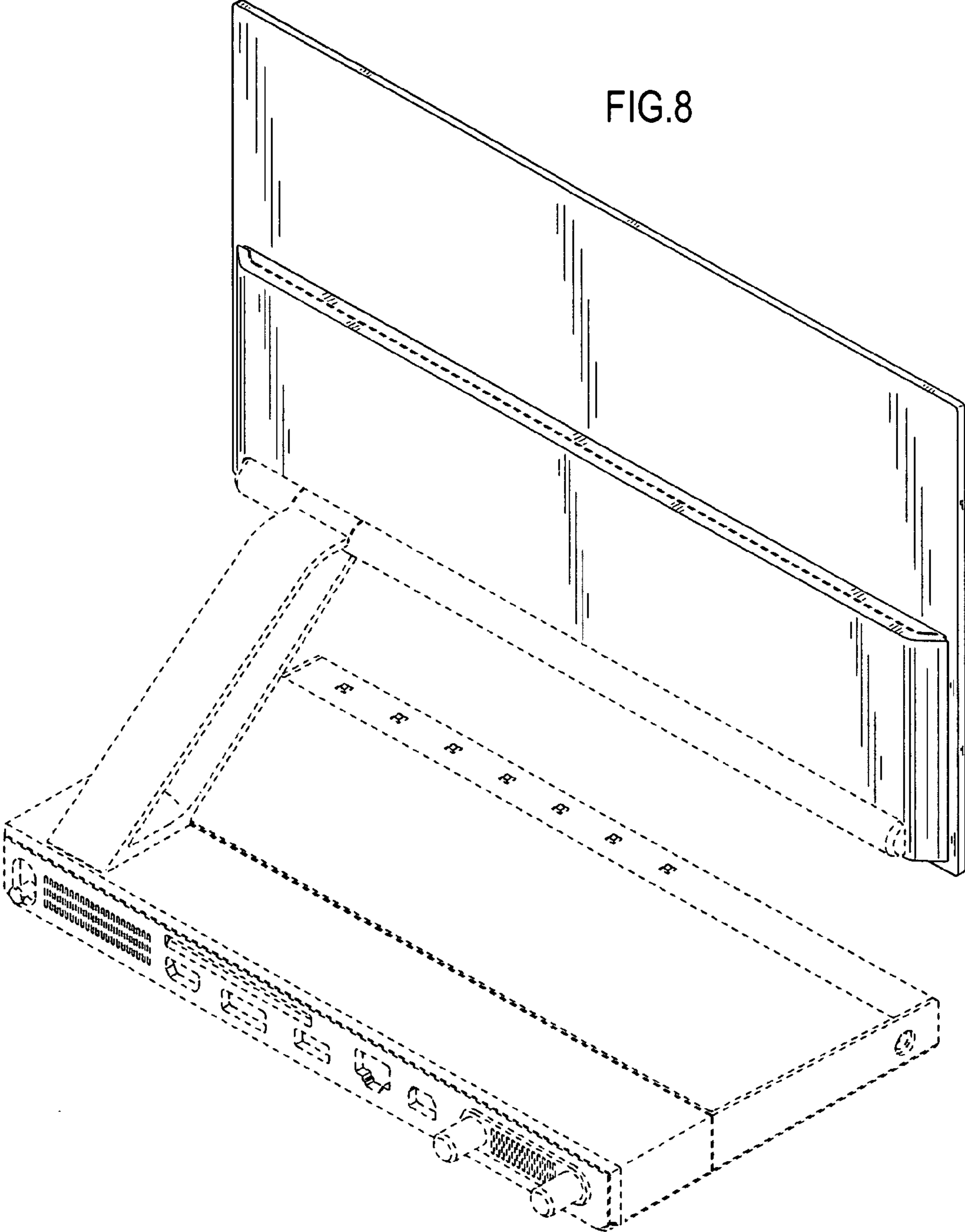
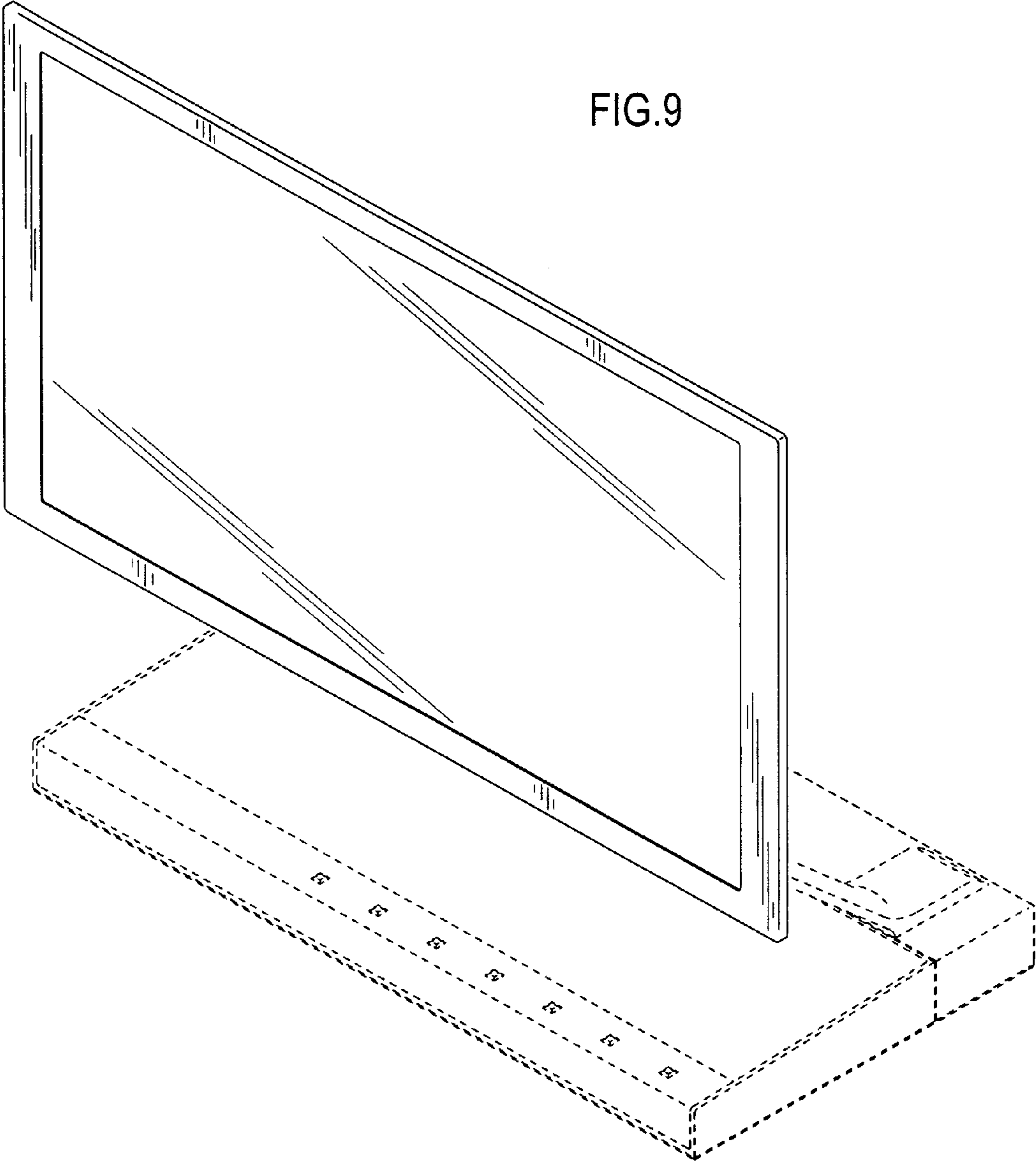


FIG. 7







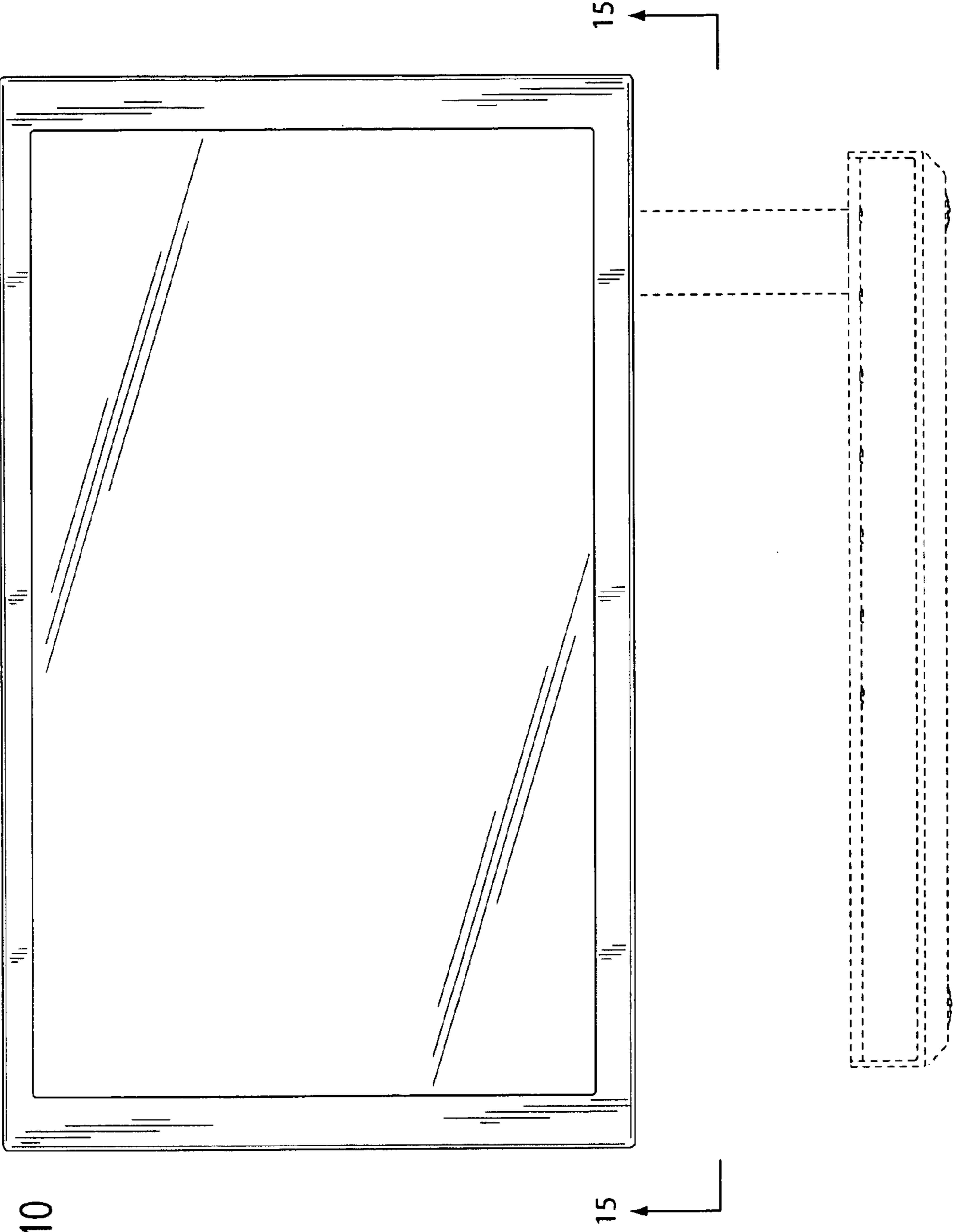


FIG.10

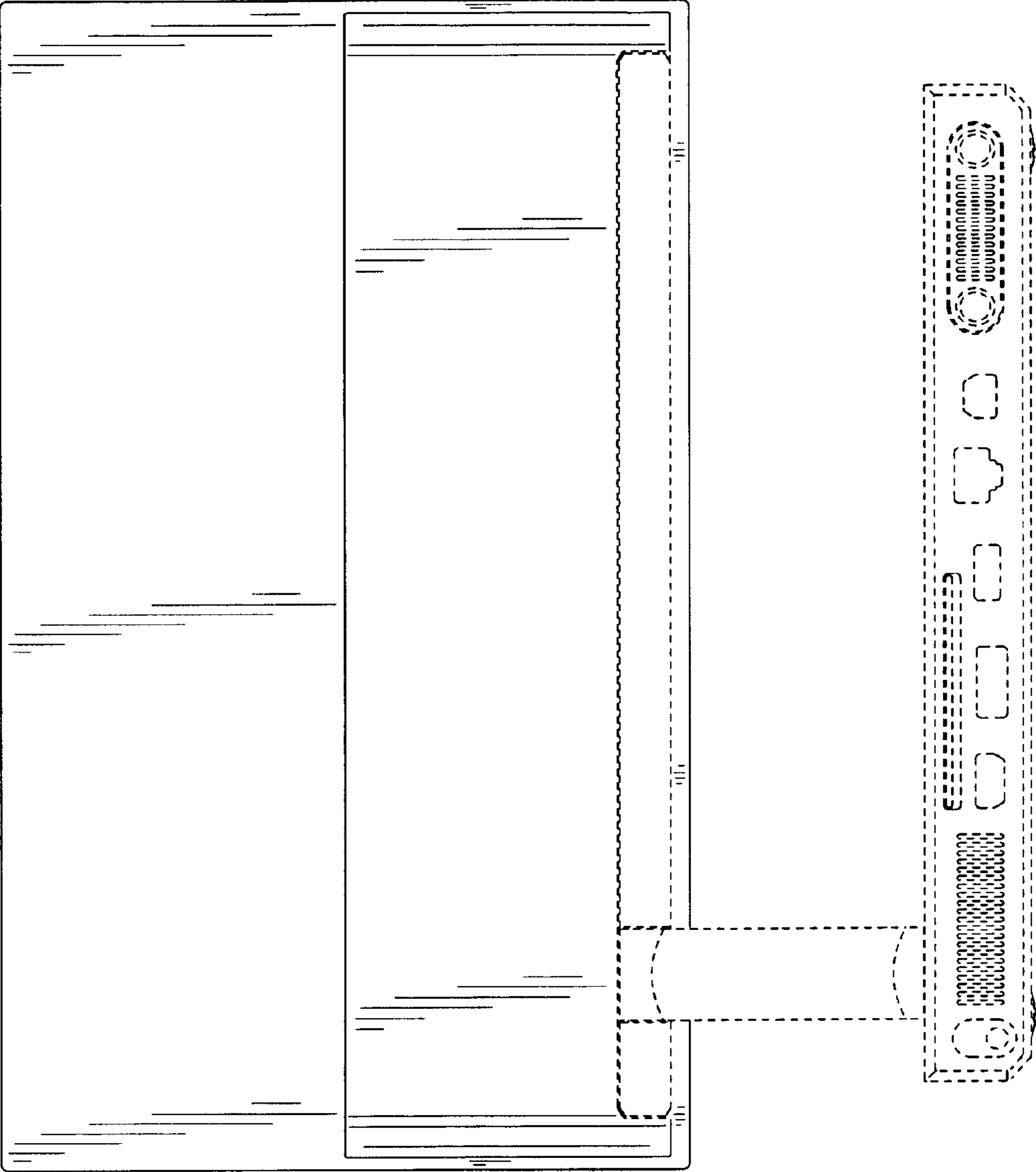


FIG.11

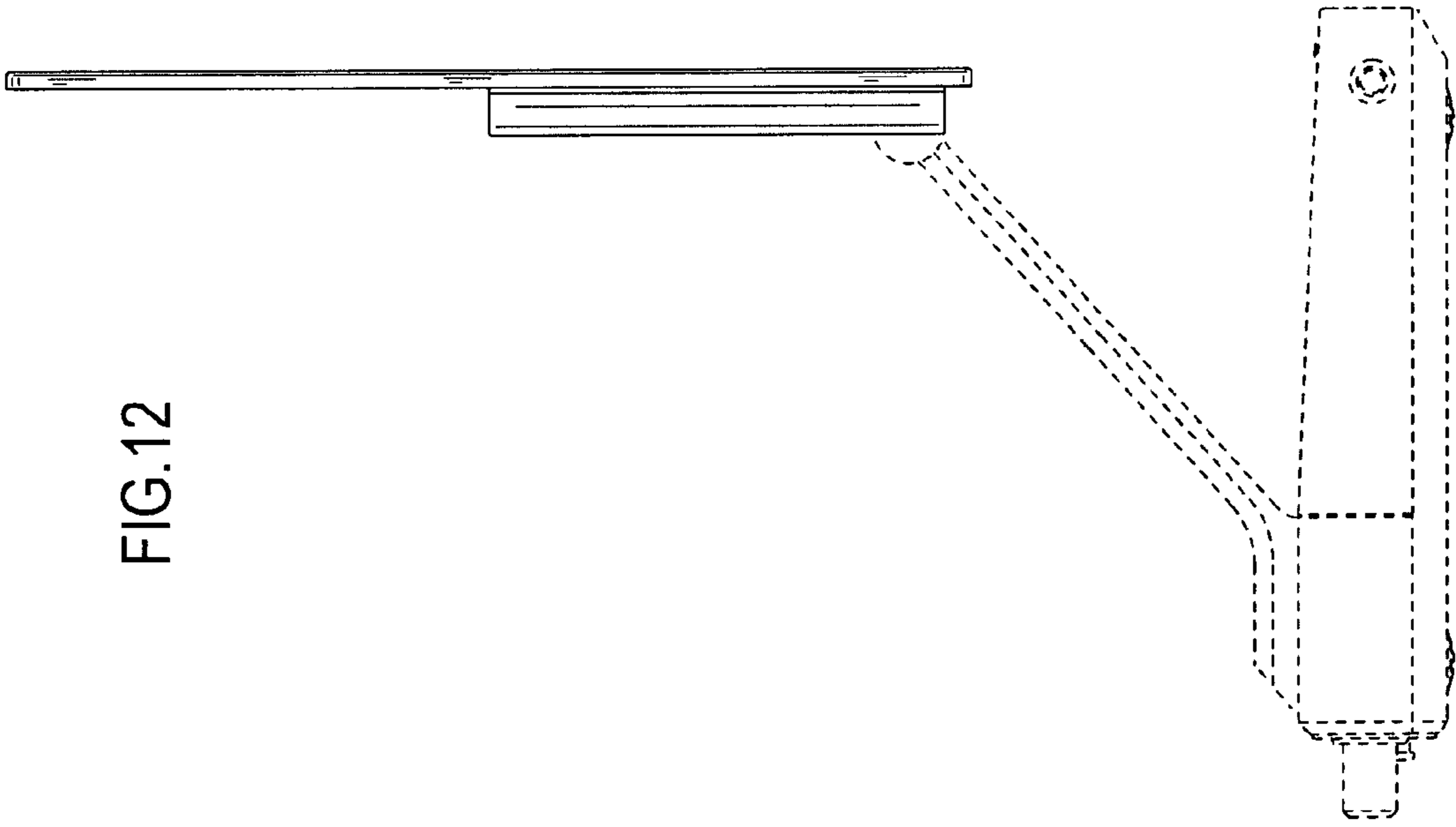


FIG.12

FIG.13

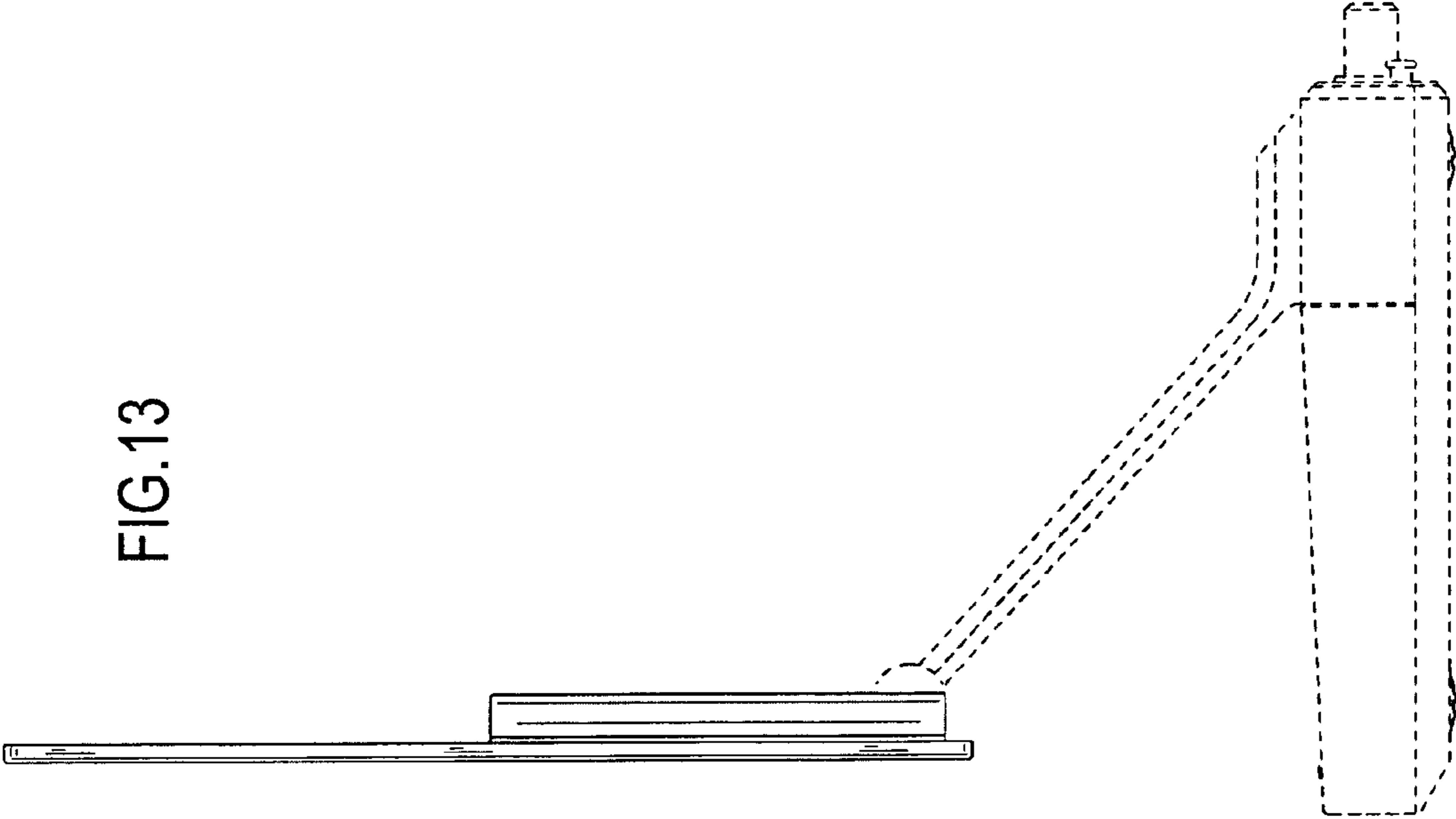


FIG.14

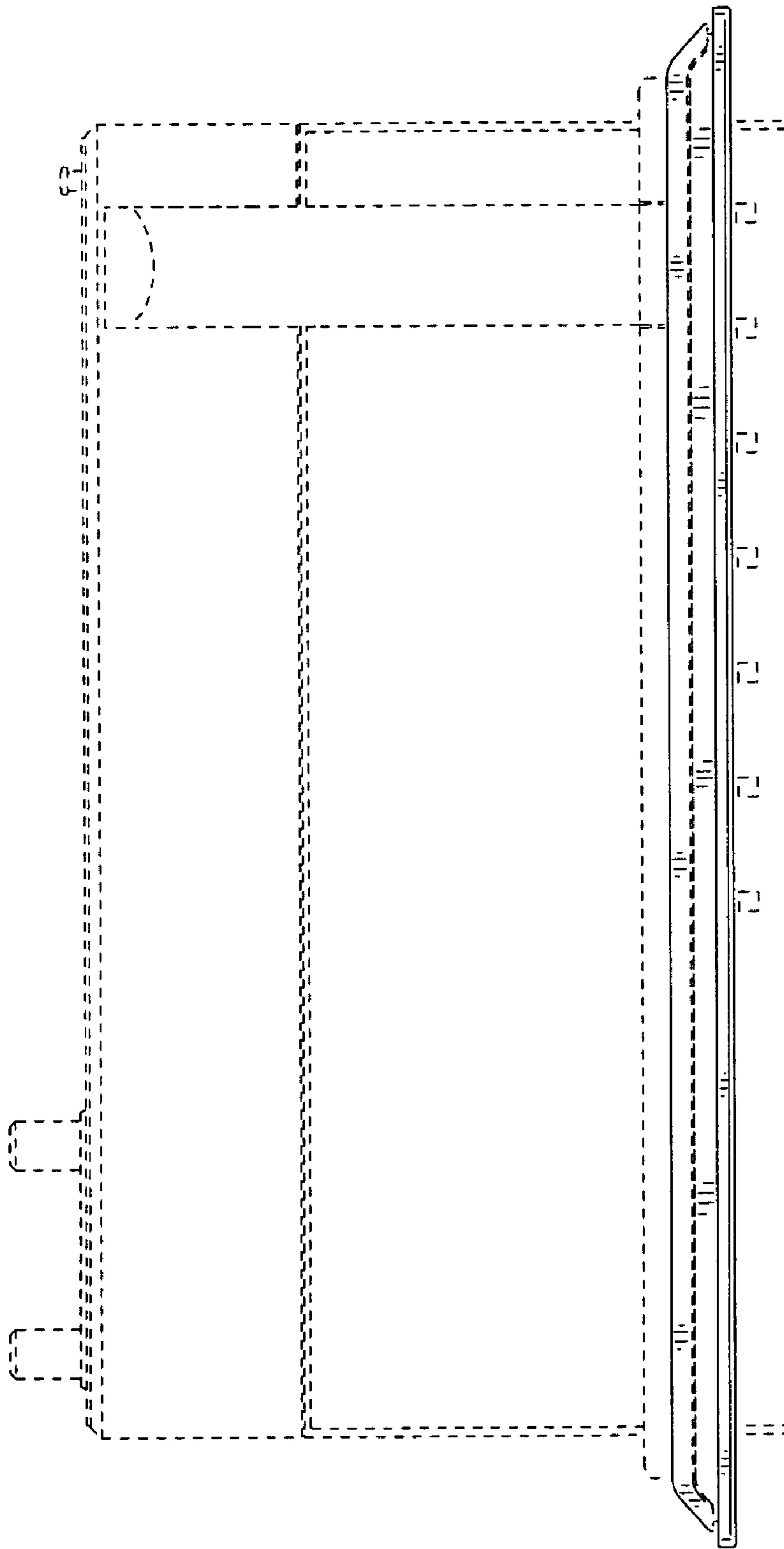
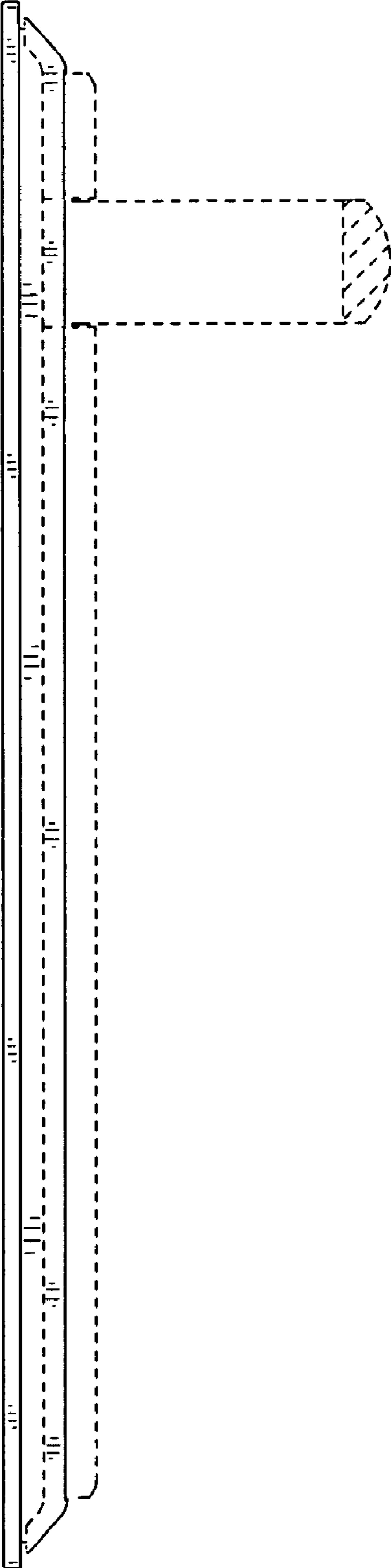
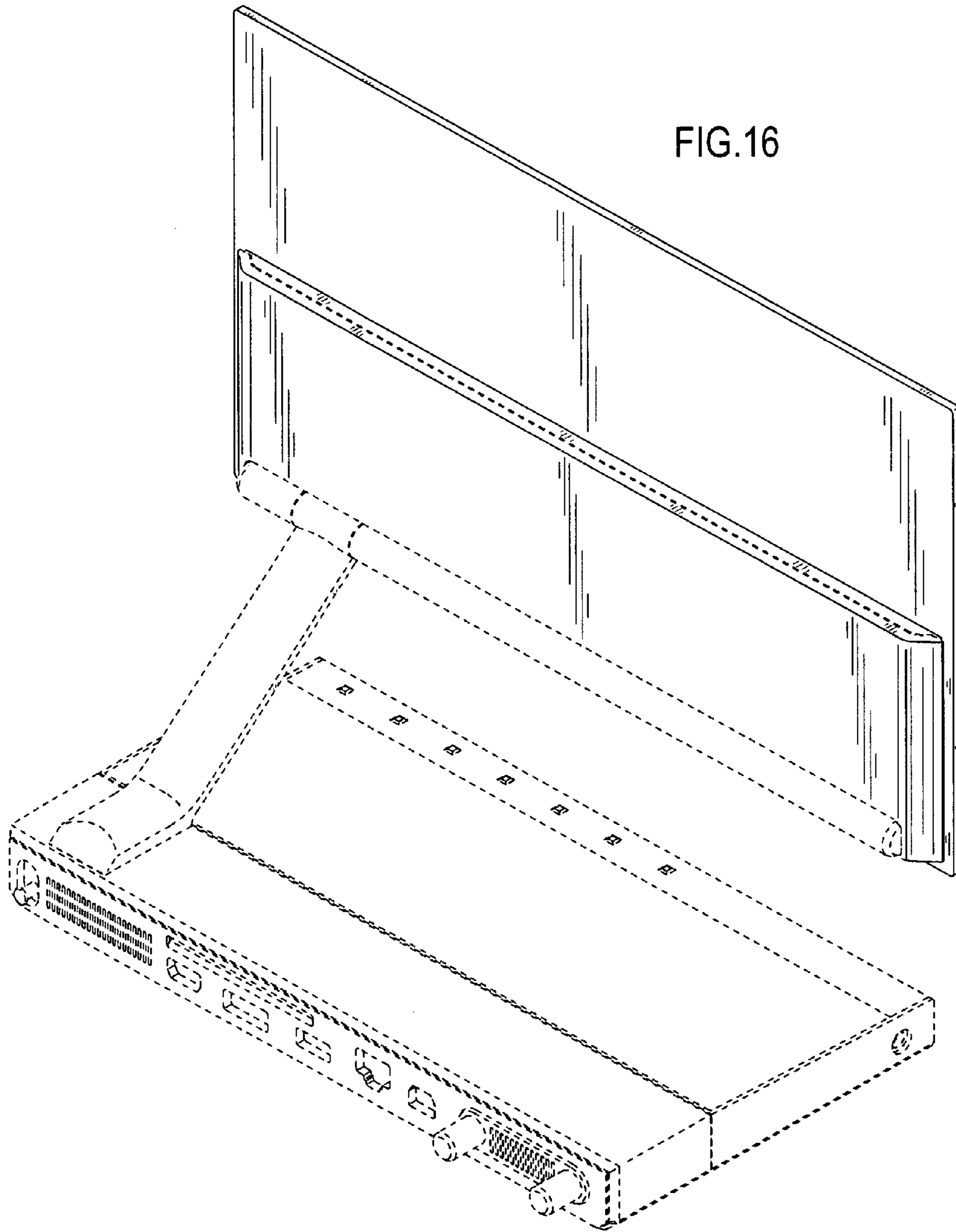
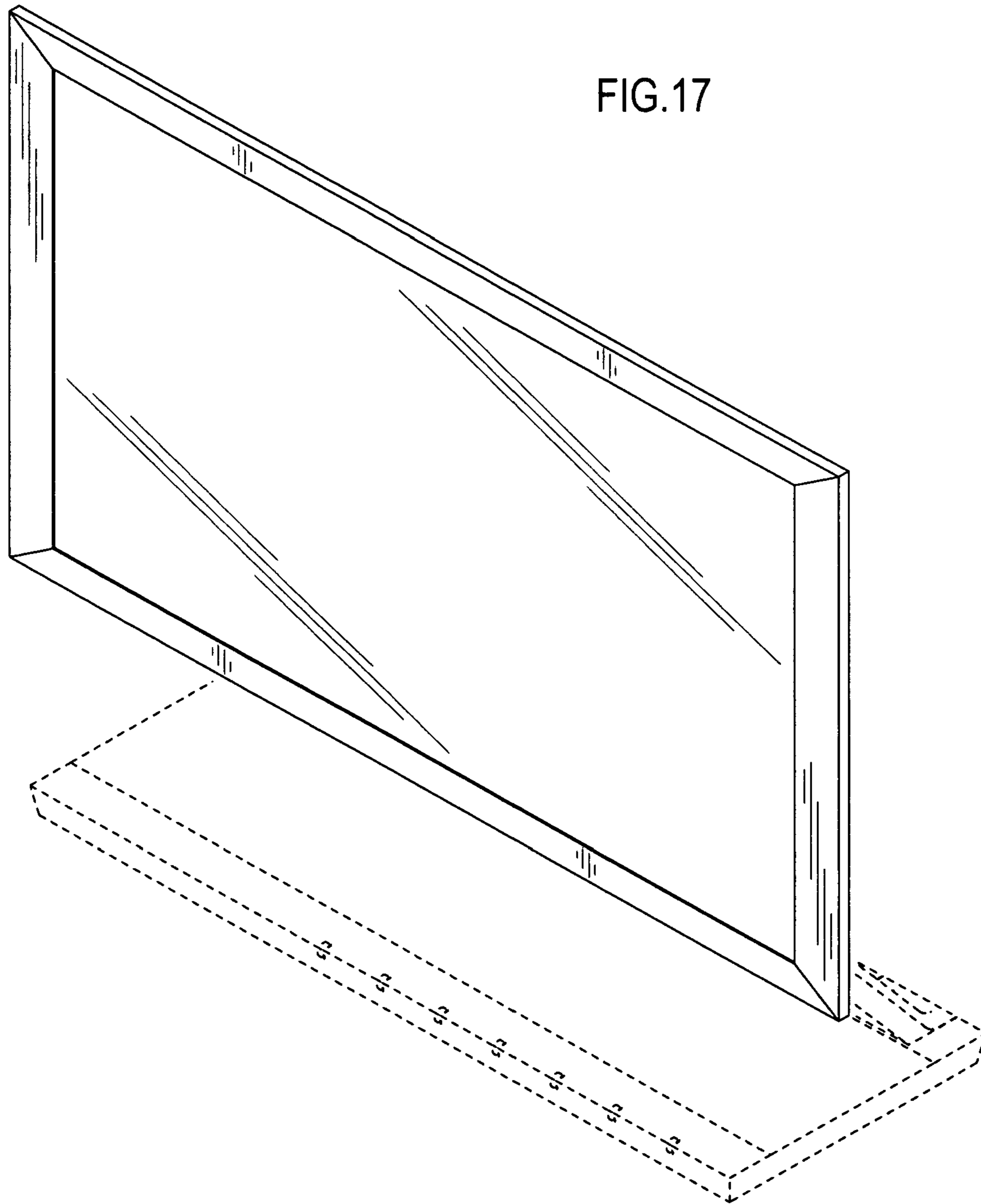
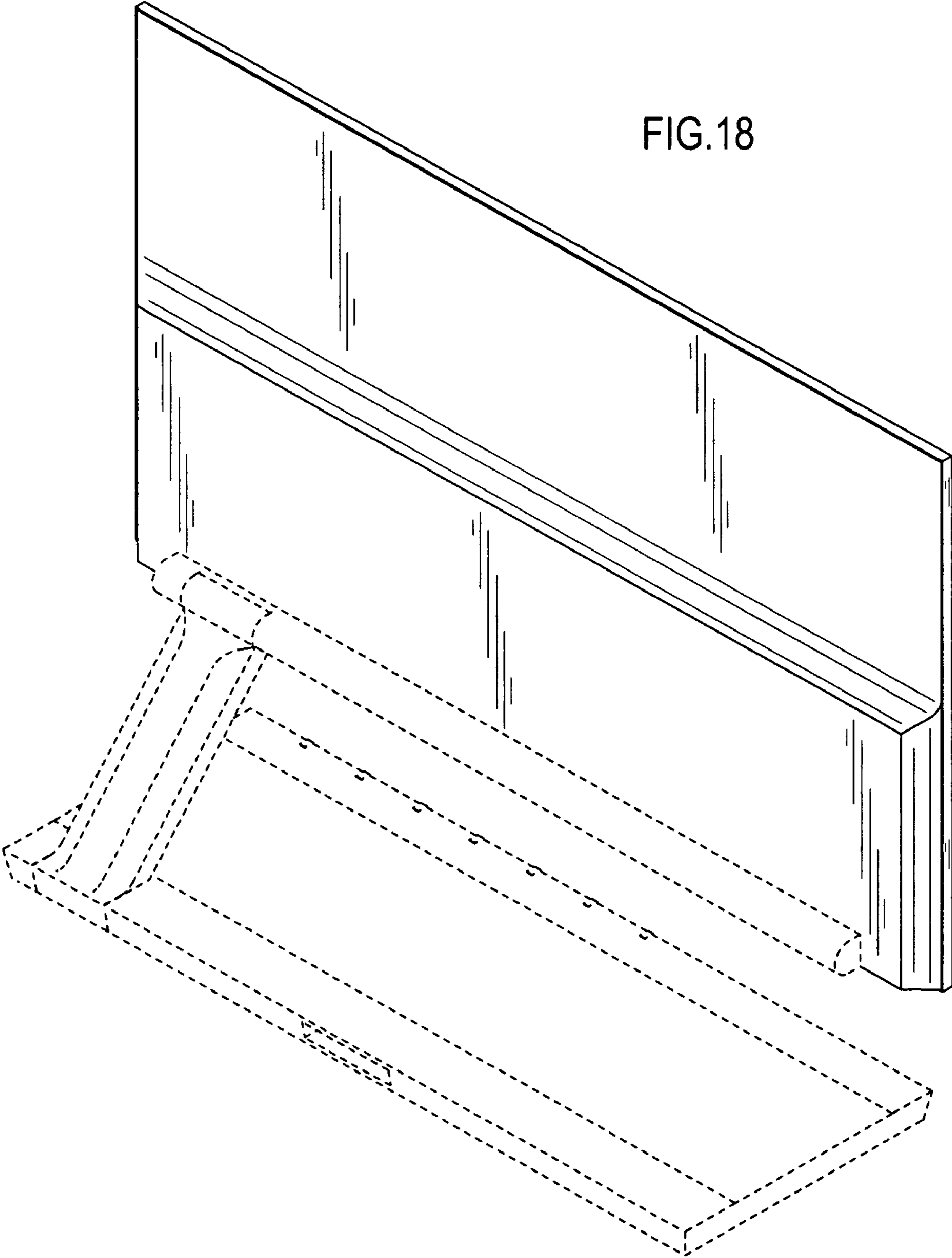


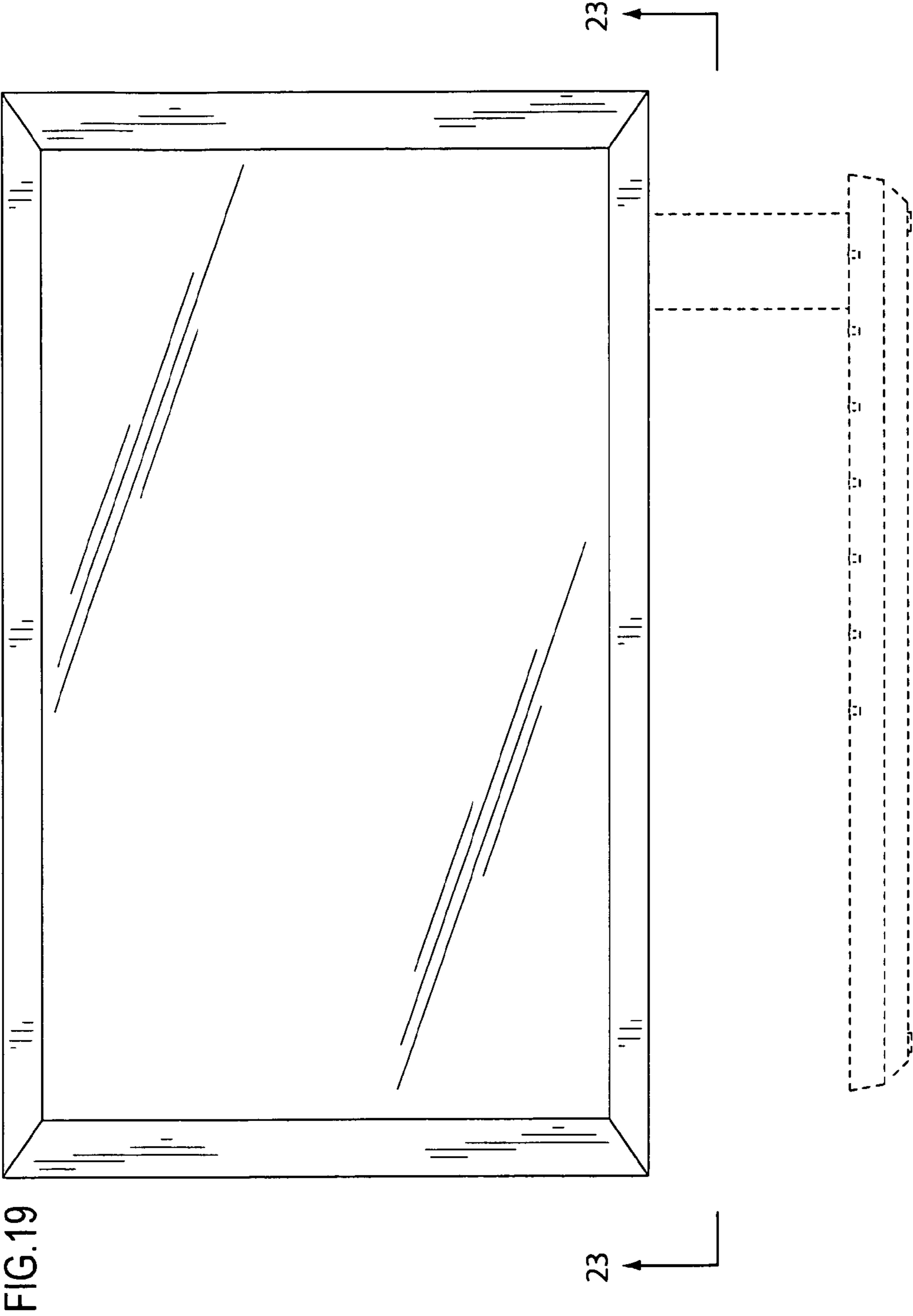
FIG.15











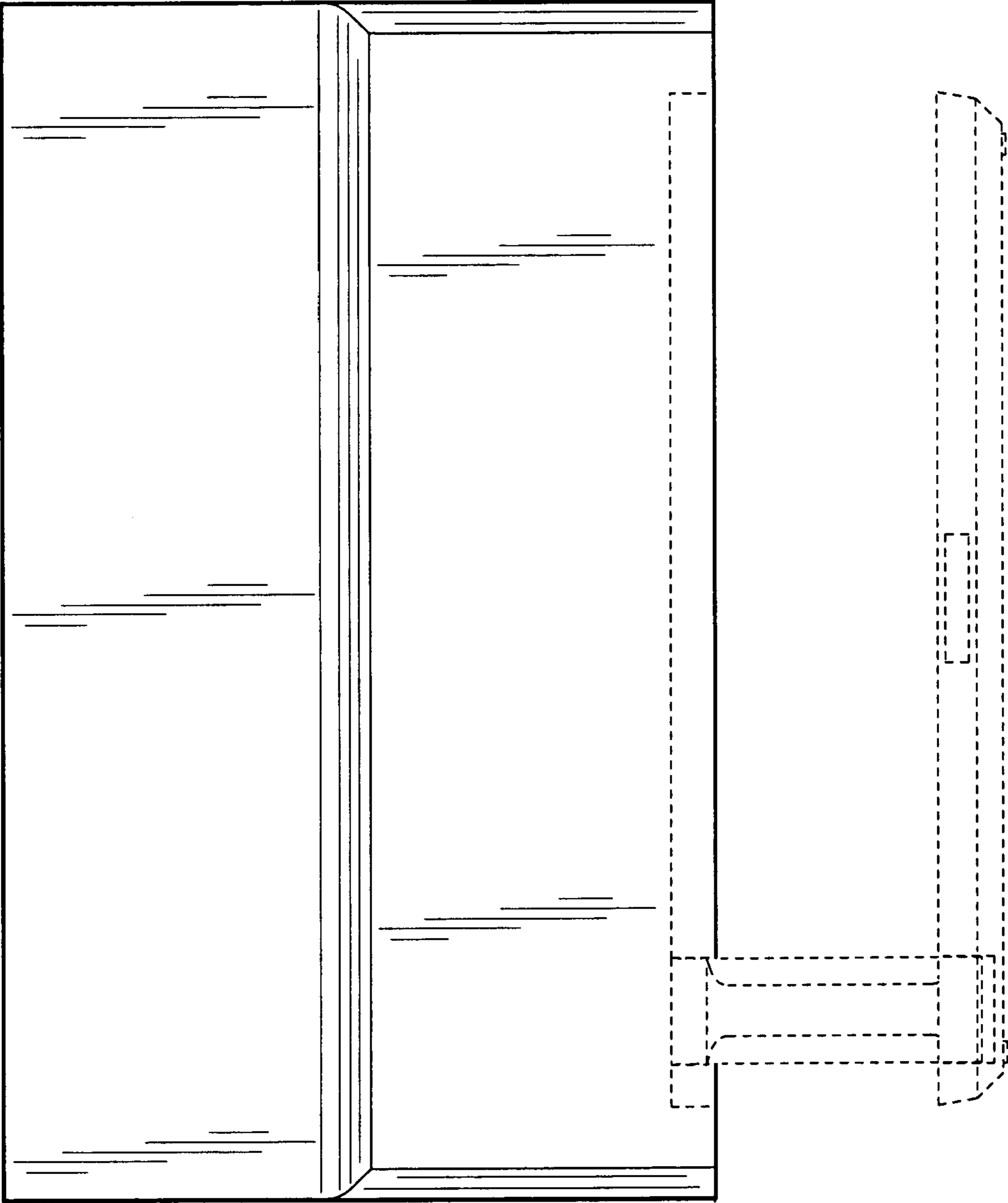


FIG.20

FIG.21

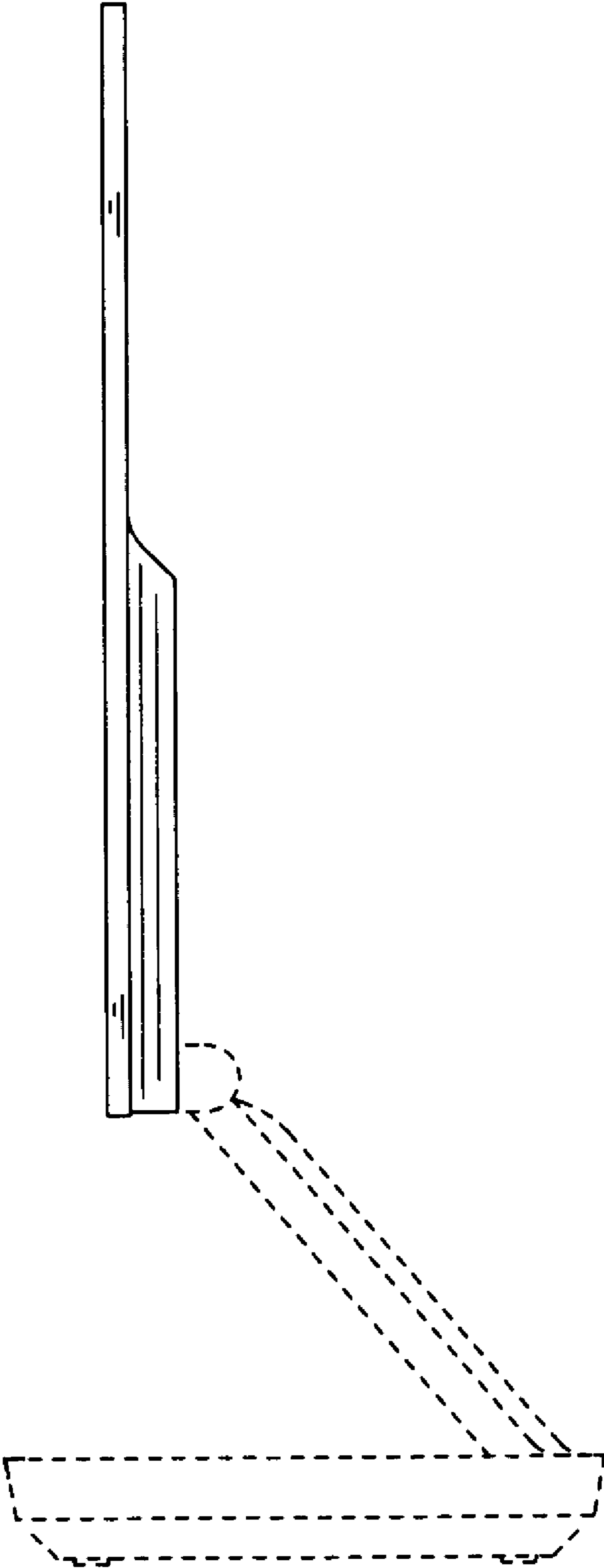


FIG.22

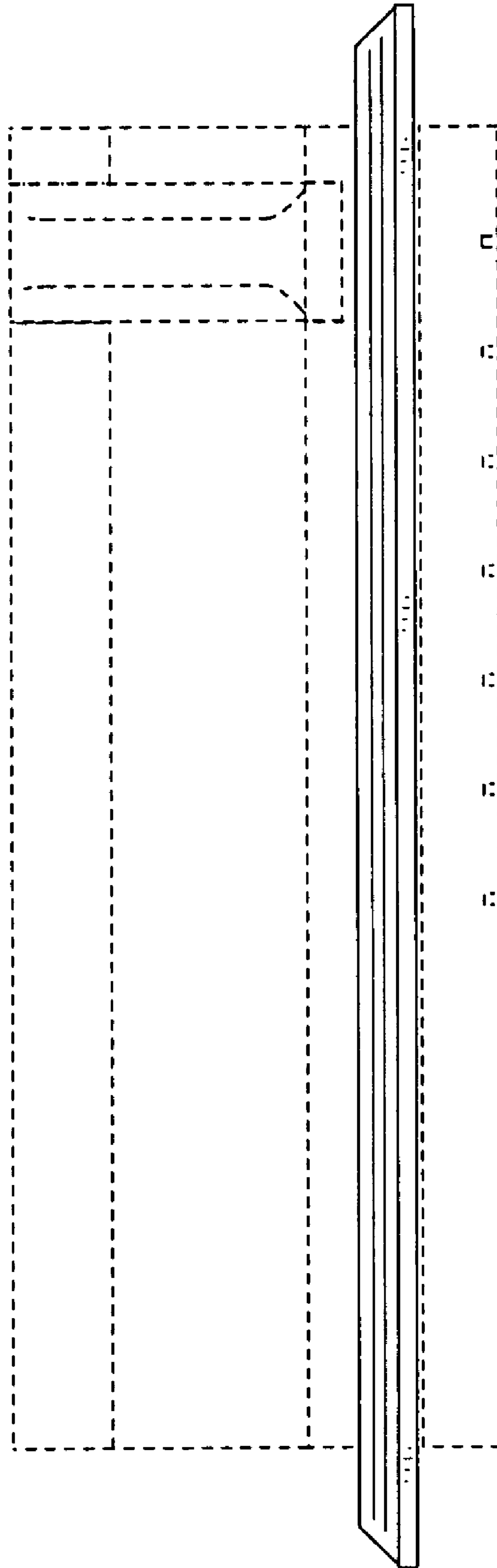
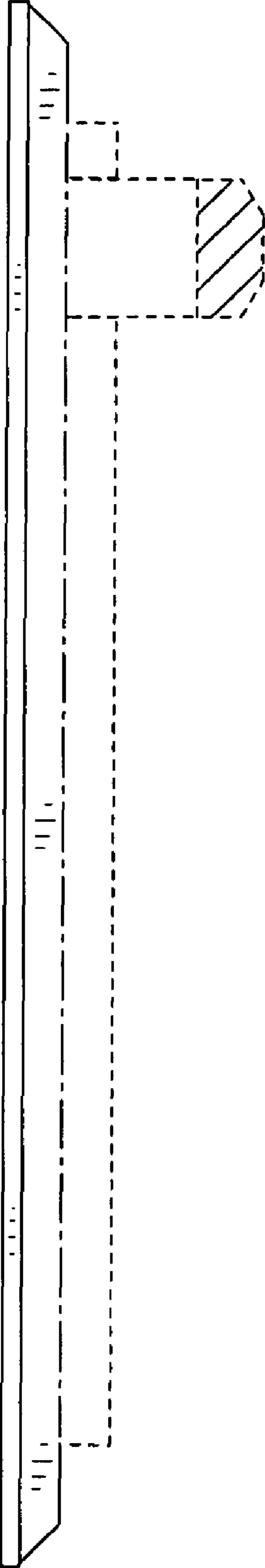
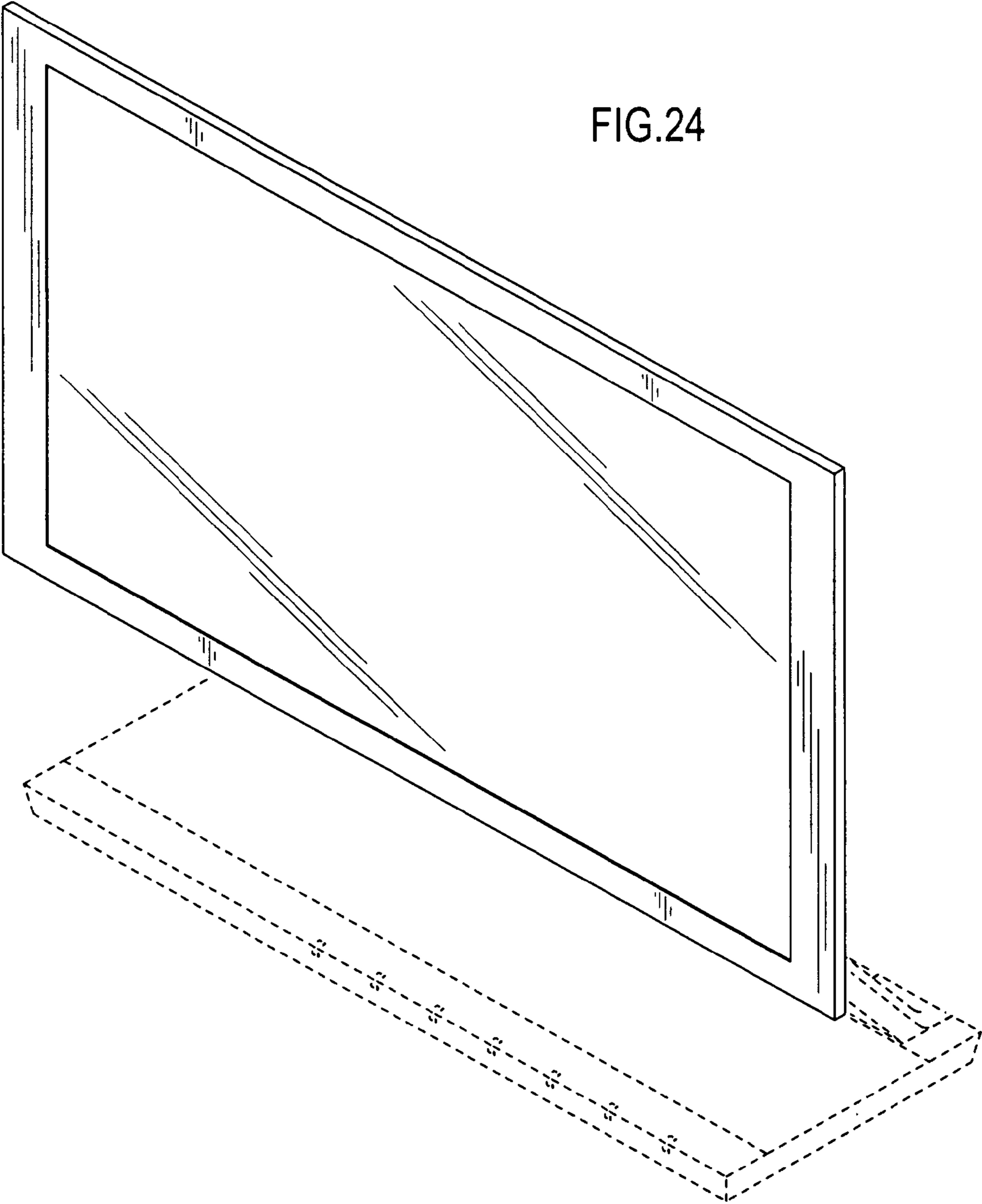
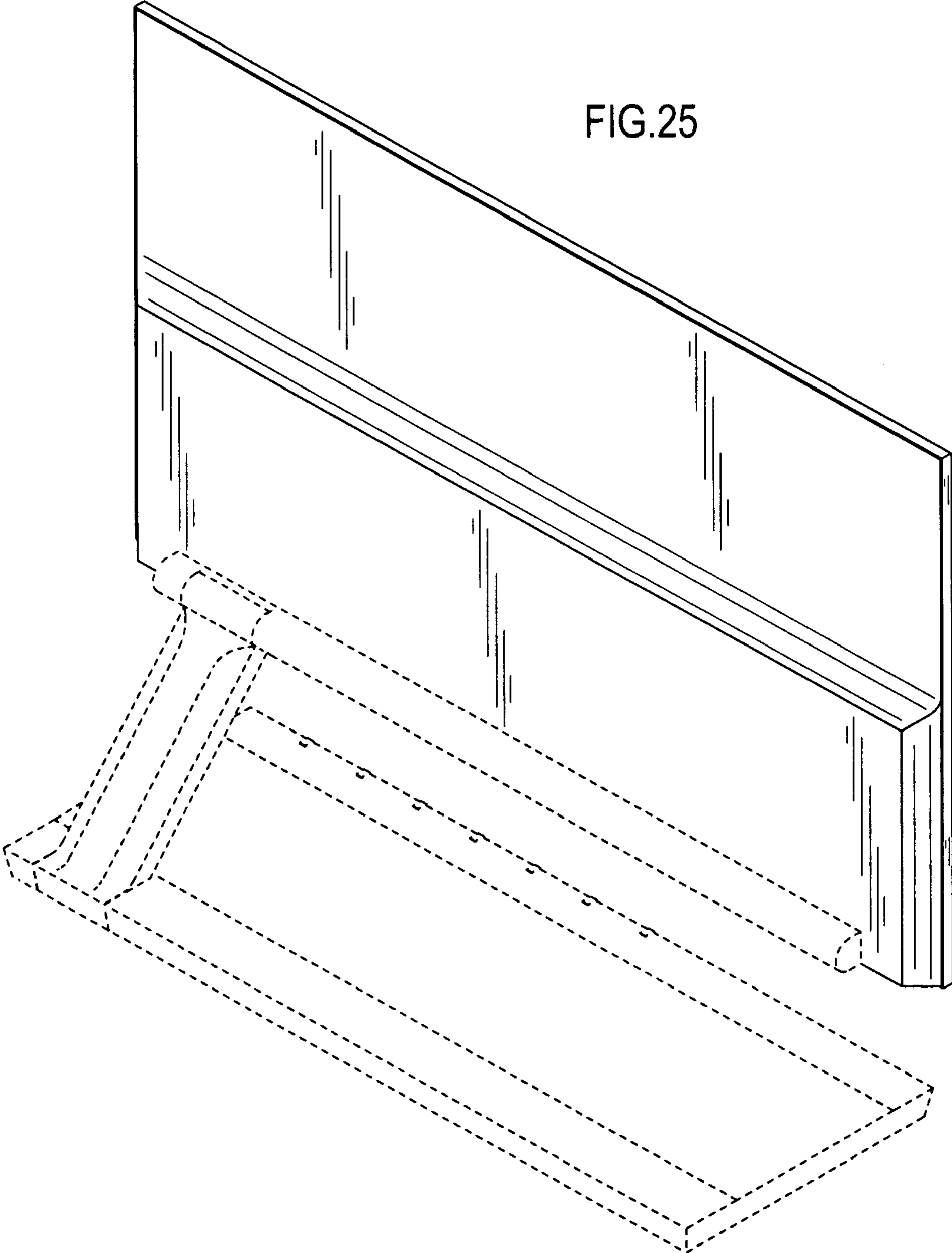
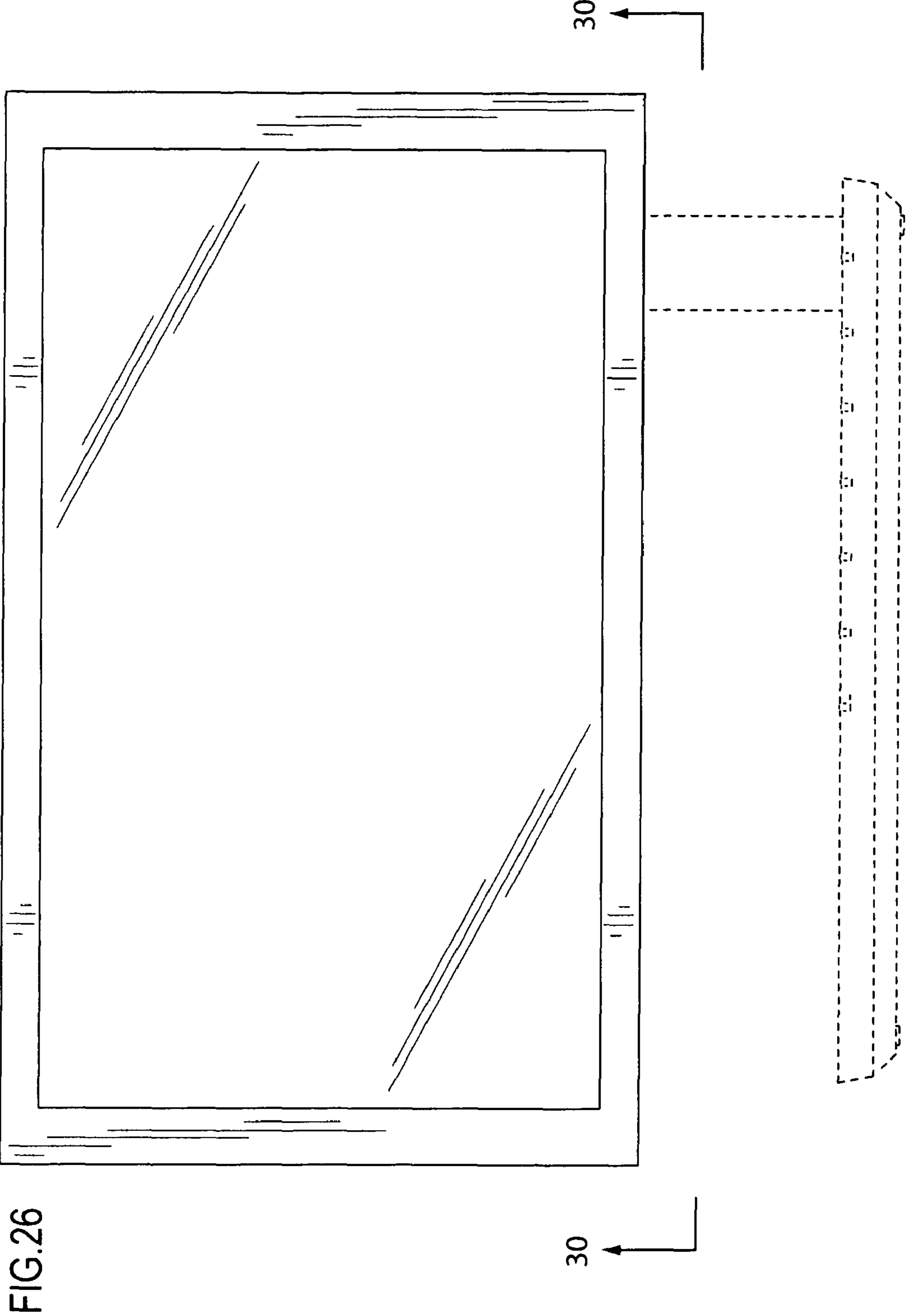


FIG.23









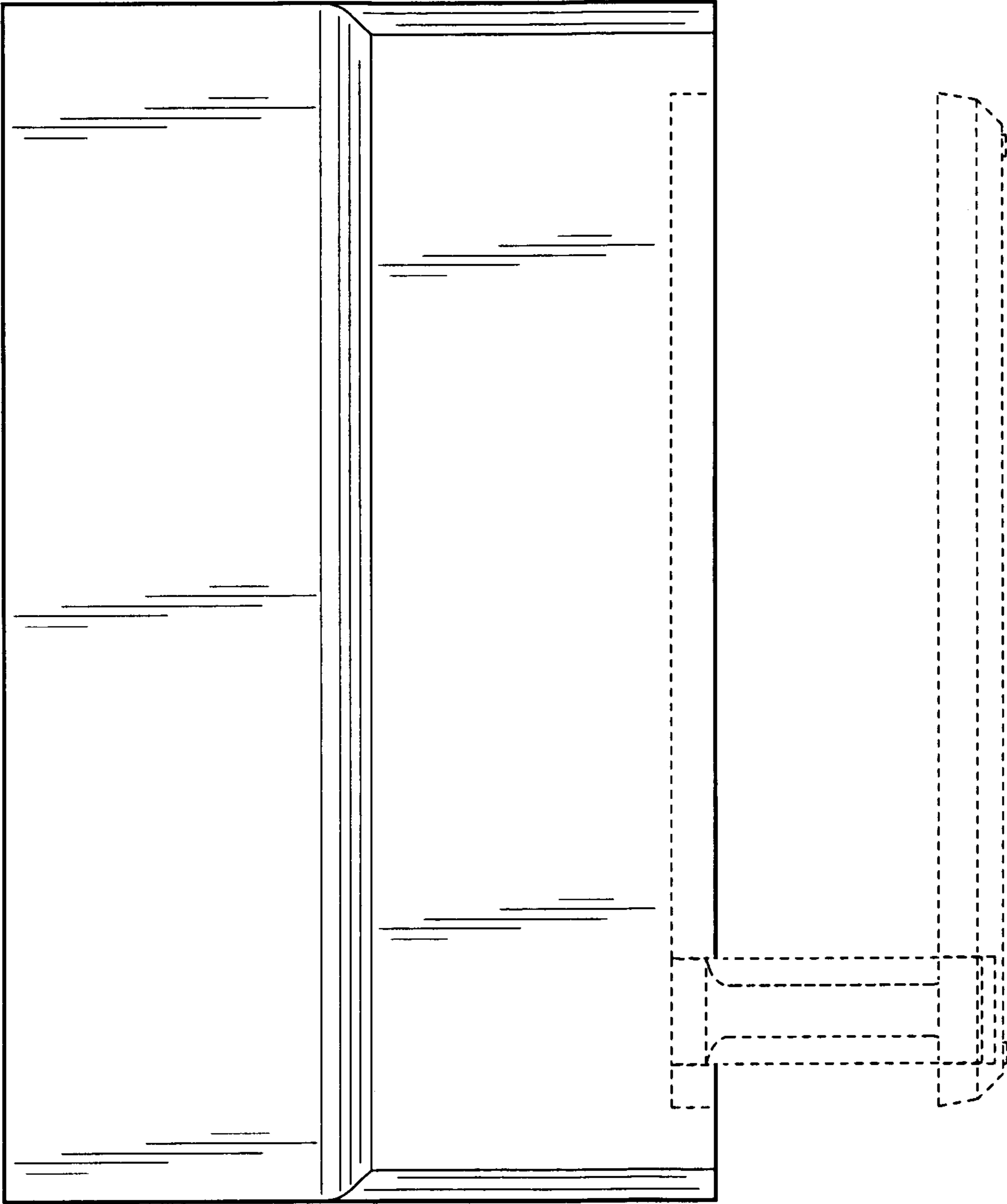


FIG.27

FIG.28

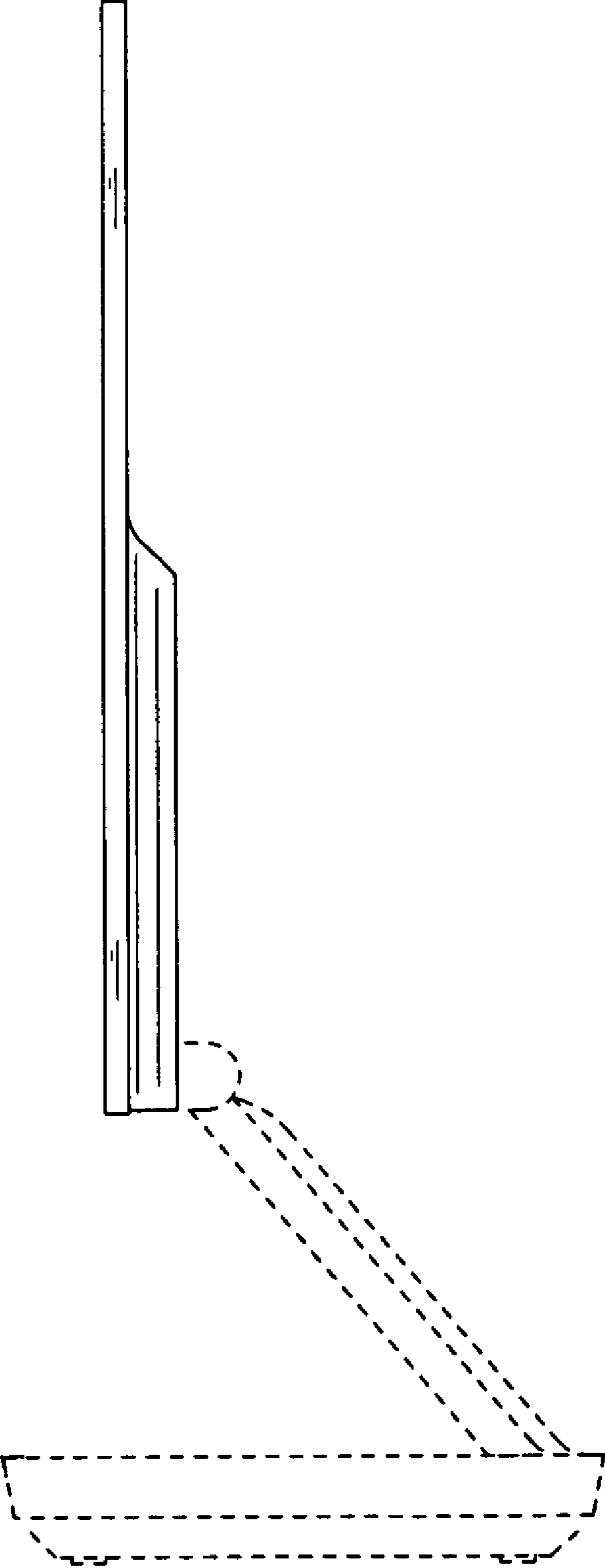


FIG.29

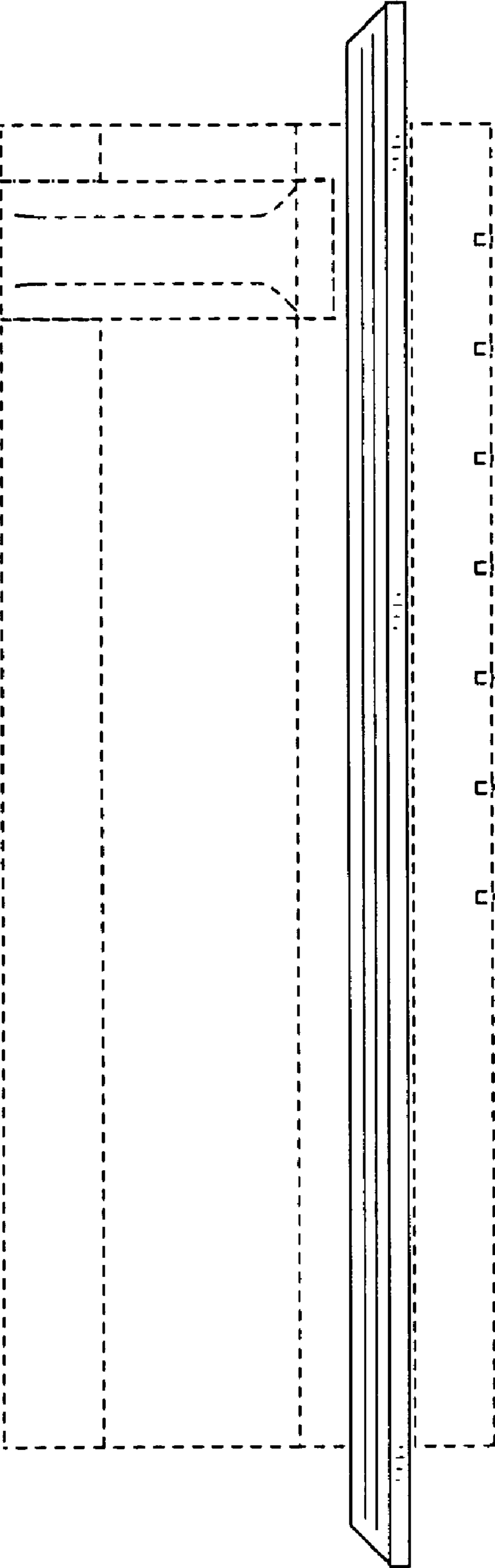


FIG.30

