



US00D636743S

(12) **United States Design Patent**
Kuwaharada et al.

(10) **Patent No.:** **US D636,743 S**

(45) **Date of Patent:** **** *Apr. 26, 2011**

(54) **LIGHT-EMITTING DIODE**

(75) Inventors: **Takashi Kuwaharada**, Kagoshima (JP);
Tooru Aoyagi, Kagoshima (JP);
Tomoyuki Kusano, Kagoshima (JP)

(73) Assignee: **Panasonic Corporation**, Osaka (JP)

(*) Notice: This patent is subject to a terminal disclaimer.

(**) Term: **14 Years**

(21) Appl. No.: **29/363,955**

(22) Filed: **Jun. 16, 2010**

(30) **Foreign Application Priority Data**

Dec. 22, 2009 (JP) 2009-029832

(51) **LOC (9) Cl.** **13-03**

(52) **U.S. Cl.** **D13/180**

(58) **Field of Classification Search** D13/180;
D26/2, 120; 257/79, 80, 81, 88, 89, 95, 98,
257/99, 100, E33.058; 313/483, 498, 500;
362/555, 800

See application file for complete search history.

(56) **References Cited**

U.S. PATENT DOCUMENTS

5,722,760 A * 3/1998 Chien 362/84
7,211,835 B2 * 5/2007 Ono 257/99
7,352,011 B2 * 4/2008 Smits et al. 257/99
D571,316 S 6/2008 Lee et al.
D572,210 S 7/2008 Lee
D573,550 S 7/2008 Lee
D573,551 S 7/2008 Lee
D575,244 S 8/2008 Lee
D578,671 S 10/2008 Kanayama et al.
D581,884 S 12/2008 Yen
D584,699 S * 1/2009 Bando D13/180
D591,696 S 5/2009 Okada et al.
D594,827 S 6/2009 Loh et al.
D598,871 S 8/2009 Eberle et al.

7,602,559 B2 * 10/2009 Jang et al. 359/726
7,703,942 B2 * 4/2010 Narendran et al. 362/231
D615,504 S * 5/2010 Keller et al. D13/180
7,709,853 B2 * 5/2010 Medendorp, Jr. 257/99
D618,636 S * 6/2010 Hsieh D13/180
7,748,873 B2 * 7/2010 Kim et al. 362/328

(Continued)

FOREIGN PATENT DOCUMENTS

JP D1298732 4/2007

(Continued)

OTHER PUBLICATIONS

U.S. Appl. No. 29/363,947, entitled "Light-emitting diode", filed Jun. 16, 2010.

(Continued)

Primary Examiner — Selina Sikder

(74) *Attorney, Agent, or Firm* — Brinks Hofer Gilson & Lione

(57) **CLAIM**

We claim the ornamental design for a light-emitting diode, as shown and described.

DESCRIPTION

FIG. 1 is a top perspective view of a light-emitting diode of the present invention;

FIG. 2 is a front view thereof;

FIG. 3 is a rear view thereof;

FIG. 4 is a first side view thereof;

FIG. 5 is a second side view thereof;

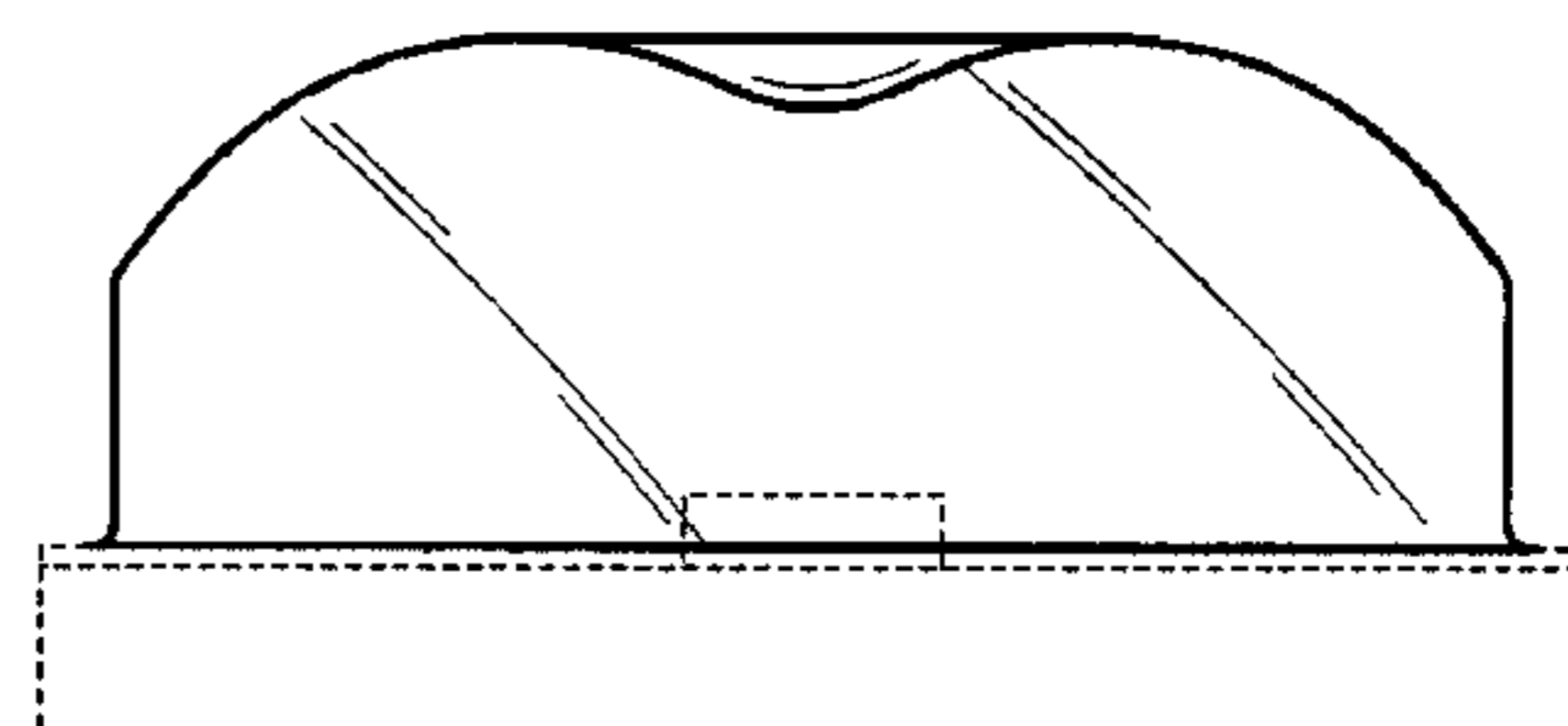
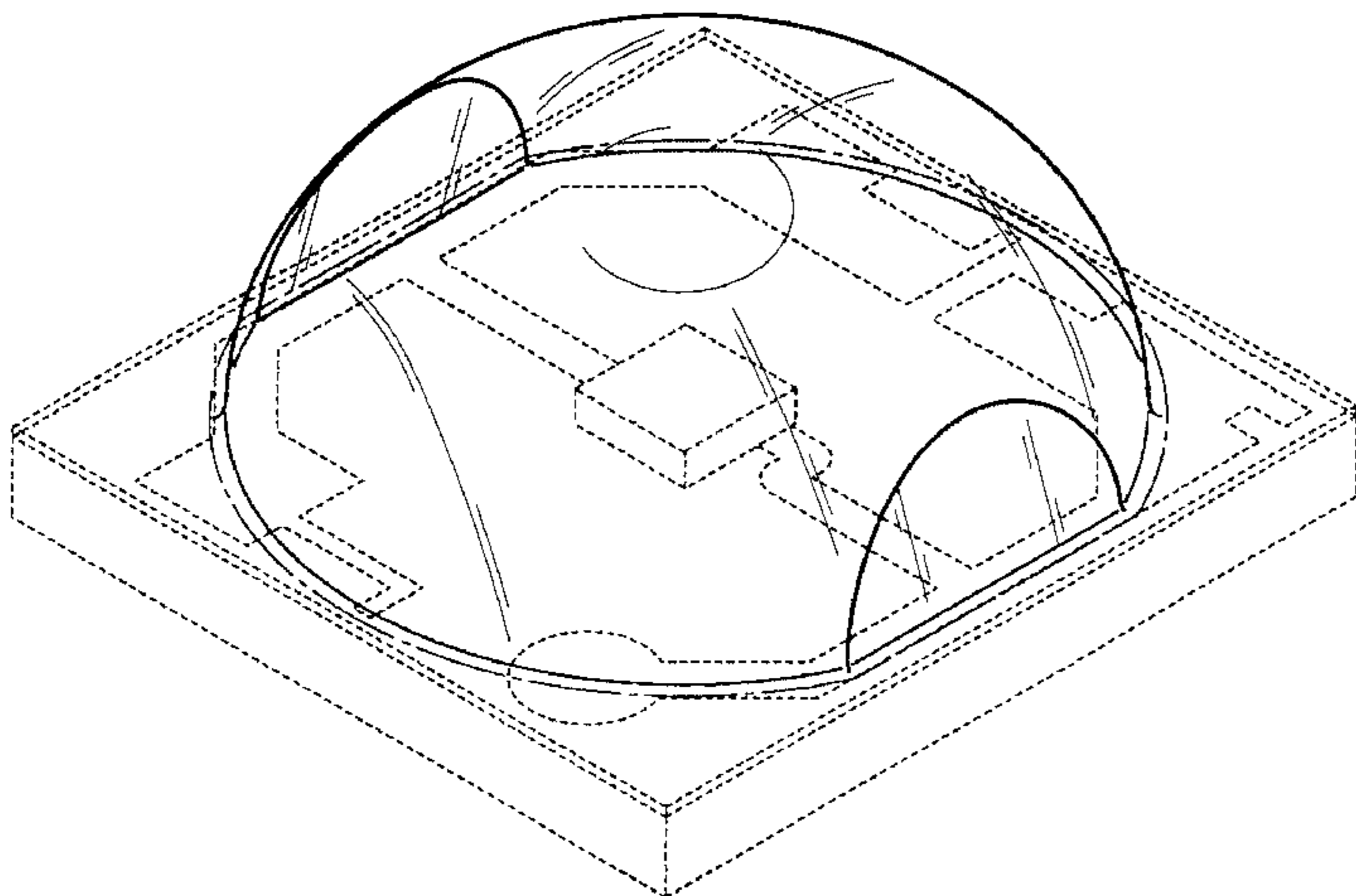
FIG. 6 is a top view thereof; and,

FIG. 7 is a bottom view thereof.

The broken line showing of light-emitting diode is included for the purpose of illustrating environment and forms no part of the claimed design. Additionally, the unevenly broken lines in the drawings define the limits of the claimed design.

The transparent dome is formed with a substantially conical recess at its top portion.

1 Claim, 7 Drawing Sheets



US D636,743 S

Page 2

U.S. PATENT DOCUMENTS

7,762,692 B2 * 7/2010 Lai et al. 362/311.02
D623,610 S 9/2010 Mallory et al.
7,798,678 B2 * 9/2010 Destain 362/311.02
7,821,023 B2 * 10/2010 Yuan et al. 257/98
D626,523 S 11/2010 Mallory et al.
2004/0136197 A1 * 7/2004 Ishida 362/487
2004/0180459 A1 * 9/2004 Hsu 438/26
2004/0196663 A1 * 10/2004 Ishida et al. 362/539
2004/0227149 A1 * 11/2004 Ibbetson et al. 257/100
2005/0263785 A1 * 12/2005 Kim et al. 257/100
2006/0034097 A1 * 2/2006 Hahm et al. 362/555
2006/0081863 A1 * 4/2006 Kim et al. 257/98
2006/0273338 A1 * 12/2006 Lee et al. 257/99
2007/0029563 A1 * 2/2007 Amano et al. 257/98
2008/0002412 A1 * 1/2008 Tanaka et al. 362/307
2008/0007966 A1 * 1/2008 Ohkawa 362/608
2008/0013322 A1 * 1/2008 Ohkawa 362/311
2008/0054280 A1 * 3/2008 Reginelli et al. 257/98
2008/0087907 A1 * 4/2008 Park et al. 257/98
2008/0297020 A1 * 12/2008 Wanninger et al. 313/110
2009/0242914 A1 * 10/2009 Ku 257/98

FOREIGN PATENT DOCUMENTS

JP D1298733 4/2007
JP D1298938 4/2007
JP D1308765 8/2007
JP D1349724 1/2009
JP D1349725 1/2009
JP D1355076 4/2009
JP D1363307 6/2009
JP D1363679 6/2009
JP D1363680 6/2009

JP D1394065 8/2010
JP D1394066 8/2010
JP D1394067 8/2010
JP D1394494 8/2010
JP D1394495 8/2010
JP D1394496 8/2010
JP D1398521 10/2010

OTHER PUBLICATIONS

U.S. Appl. No. 29/363,949, entitled "Light-emitting diode", filed Jun. 16, 2010.
U.S. Appl. No. 29/363,954, entitled "Light-emitting diode", filed Jun. 16, 2010.
U.S. Appl. No. 29/363,957, entitled "Light-emitting diode", filed Jun. 16, 2010.
U.S. Appl. No. 29/363,959, entitled "Light-emitting diode", filed Jun. 16, 2010.
U.S. Appl. No. 29/381,096, entitled "Light emitting diode", filed Dec. 15, 2010.
U.S. Appl. No. 29/381,098, entitled "Light emitting diode", filed Dec. 15, 2010.
U.S. Appl. No. 29/381,101, entitled "Light emitting diode", filed Dec. 15, 2010.
U.S. Appl. No. 29/381,102, entitled "Light emitting diode", filed Dec. 15, 2010.
U.S. Appl. No. 29/381,103, entitled "Light emitting diode", filed Dec. 15, 2010.
U.S. Appl. No. 29/381,107, entitled "Light emitting diode", filed Dec. 15, 2010.

* cited by examiner

FIG.1

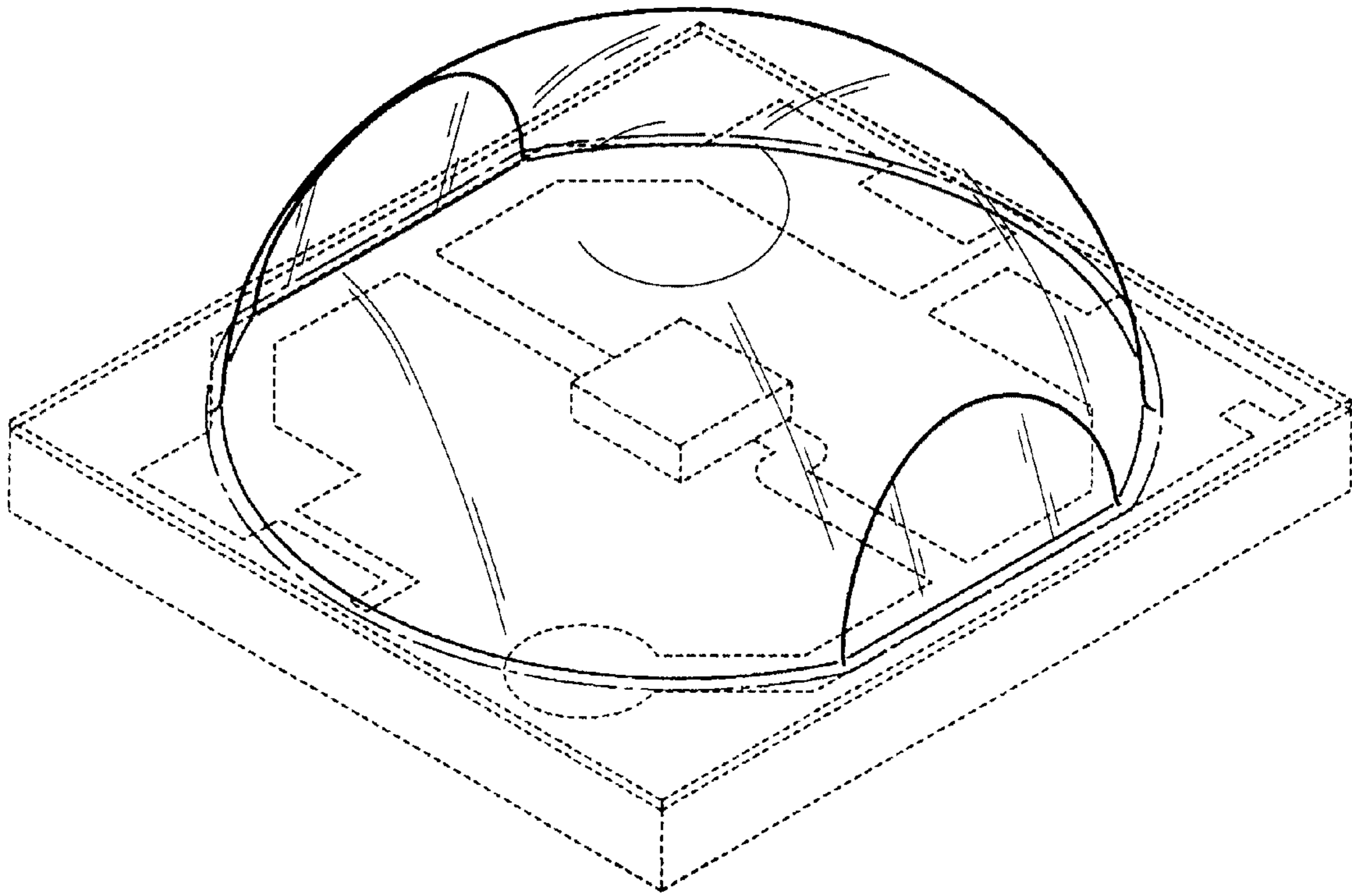


FIG.2

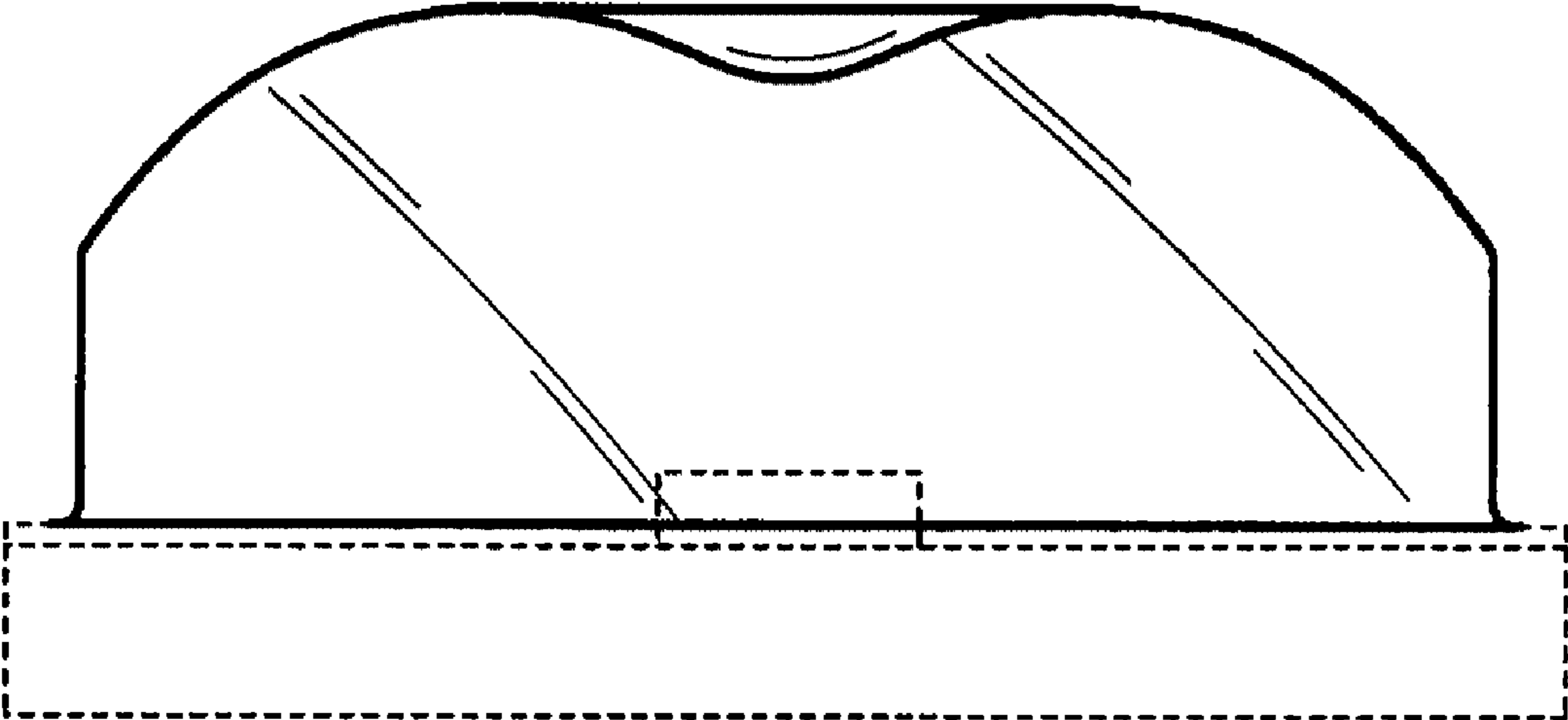


FIG.3

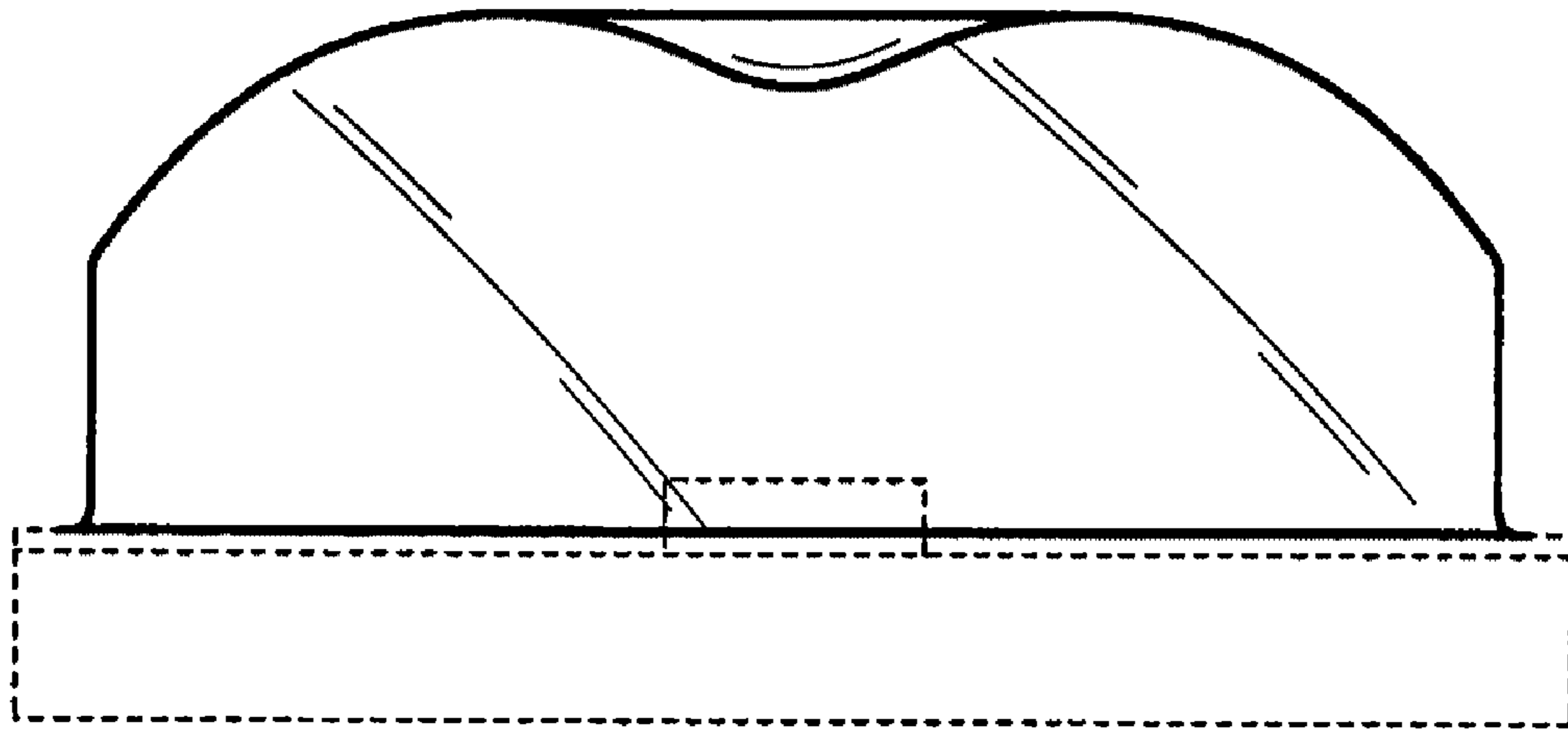


FIG.4

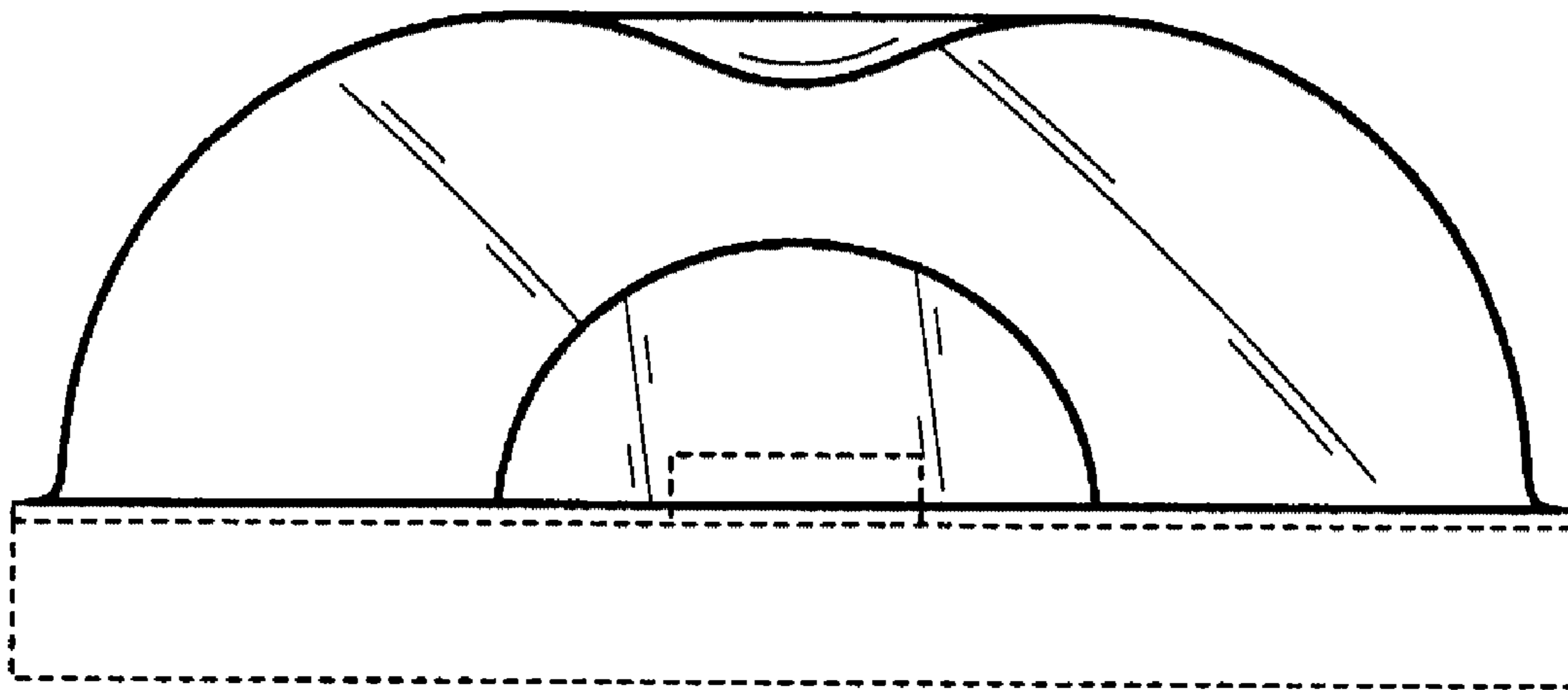


FIG.5

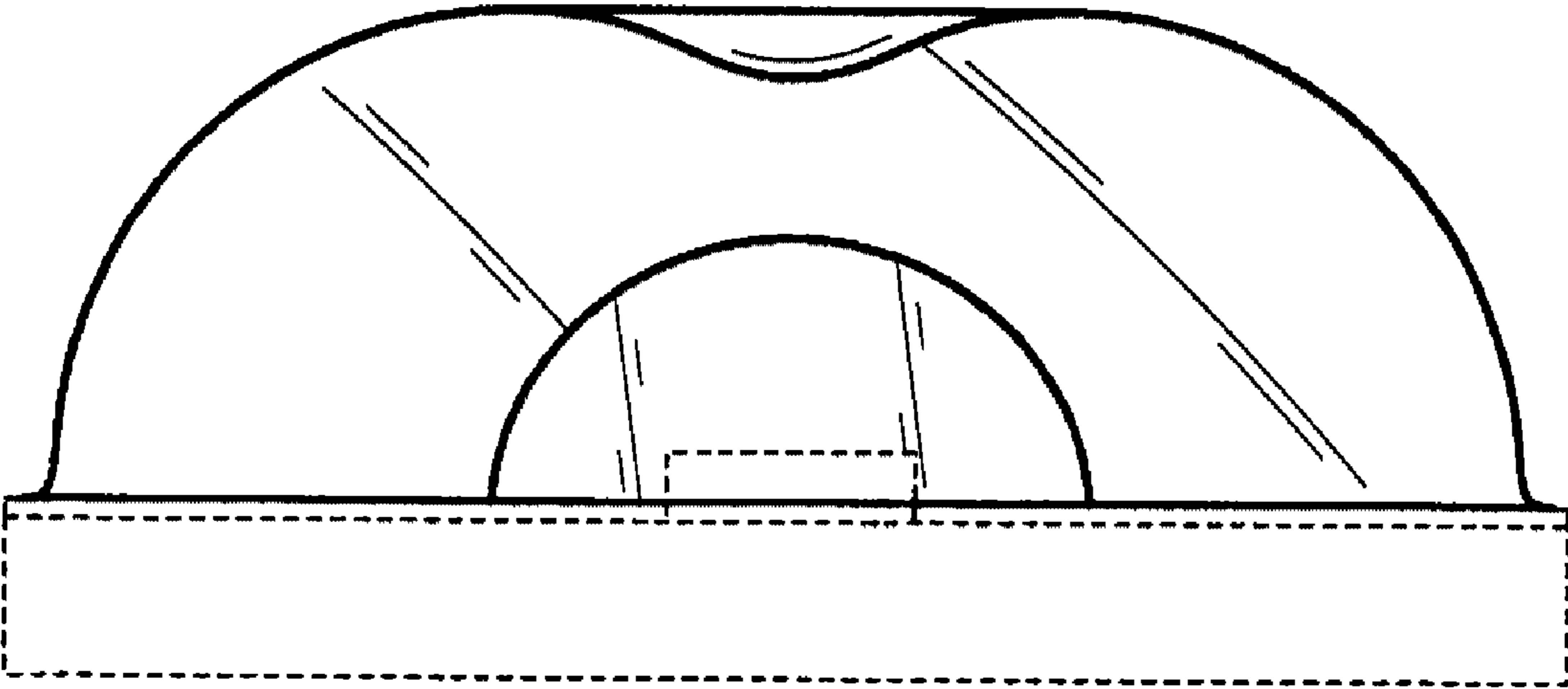


FIG.6

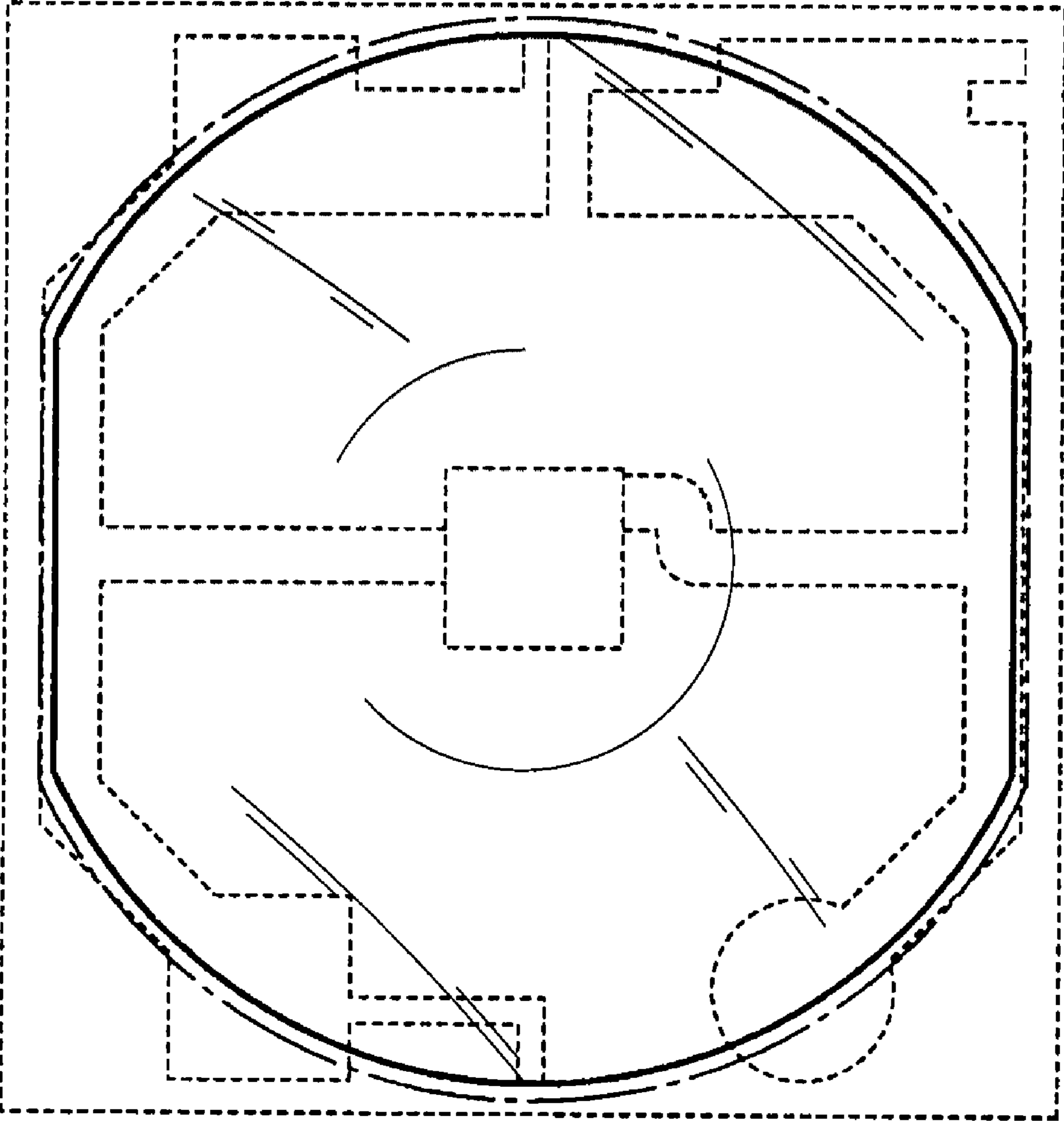


FIG.7

