



US00D636740S

(12) **United States Design Patent**  
**Lin**

(10) **Patent No.:** **US D636,740 S**  
(45) **Date of Patent:** **\*\* Apr. 26, 2011**

(54) **LIGHT EMITTING DIODE**

(75) Inventor: **Jung-Chiuan Lin**, Tucheng (TW)

(73) Assignee: **Everlight Electronics Co., Ltd.**,  
Tucheng, Taipei County (TW)

(\*\*) Term: **14 Years**

(21) Appl. No.: **29/363,412**

(22) Filed: **Jun. 9, 2010**

(51) **LOC (9) Cl.** ..... **13-03**

(52) **U.S. Cl.** ..... **D13/180**

(58) **Field of Classification Search** ..... D26/1-4;  
257/79-81, 88-89, 95, 98, 99, 100; 313/483,  
313/498, 500; 362/555, 800

See application file for complete search history.

(56) **References Cited**

**U.S. PATENT DOCUMENTS**

D489,692 S	5/2004	Ishida	
D490,062 S	5/2004	Ishida	
D490,386 S	5/2004	Ishida	
D493,429 S	7/2004	Ishida	
D500,294 S *	12/2004	Ishida	D13/180
D504,873 S	5/2005	Ishida	
D508,468 S *	8/2005	Ishida	D13/180
D509,487 S	9/2005	Ishida	
6,953,952 B2	10/2005	Asakawa	
D512,693 S *	12/2005	Kim et al.	D13/180
D528,998 S *	9/2006	Song et al.	D13/180
D529,452 S *	10/2006	Kim et al.	D13/180
D533,517 S *	12/2006	Kim et al.	D13/180
D546,783 S *	7/2007	Yoon et al.	D13/180
D558,156 S	12/2007	Yoon et al.	
D599,305 S	9/2009	Kim et al.	
D608,739 S	1/2010	Hussell	
D624,883 S *	10/2010	Lin	D13/180

**FOREIGN PATENT DOCUMENTS**

EM	001718677-0001	6/2010
KR	30-0353996	6/2004
KR	30-0356299	7/2004
KR	30-0431306	11/2006
KR	30-0464476	9/2007
KR	30-0464944	10/2007
KR	30-0505417	9/2008

\* cited by examiner

*Primary Examiner* — Marcus A Jackson

(74) *Attorney, Agent, or Firm* — Thomas, Kayden,  
Horstemeyer & Risley, LLP

(57) **CLAIM**

The ornamental design for a lighting emitting diode, as shown and described.

**DESCRIPTION**

FIG. 1 is a perspective view of a light emitting diode showing the claimed design;

FIG. 2 is another perspective view thereof;

FIG. 3 is a front elevational view thereof;

FIG. 4 is a rear elevational view thereof;

FIG. 5 is a left side elevational view thereof; the right side elevational view being a mirror image of the left side elevational view;

FIG. 6 is a top plan view thereof;

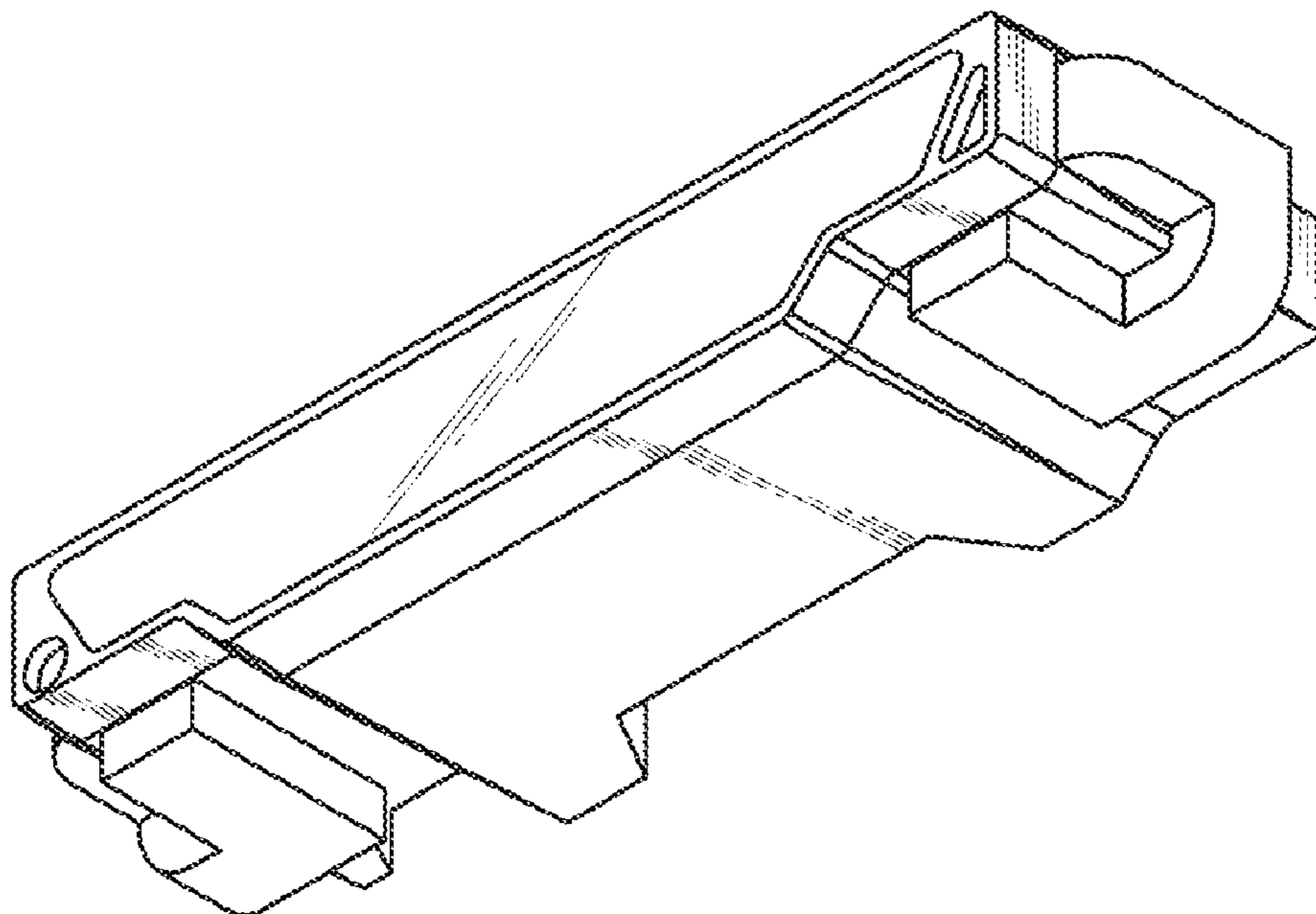
FIG. 7 is a bottom plan view thereof;

FIG. 8 is a reference view showing the visible inner structure through the window portion; and,

FIG. 9 is a cross-sectional reference view along the 9—9 line in FIG. 8.

The window portion of the design may be a light transmissible material. The broken lines are directed to environment and are for illustrative purpose only; the broken lines form no part of the claimed design.

**1 Claim, 6 Drawing Sheets**



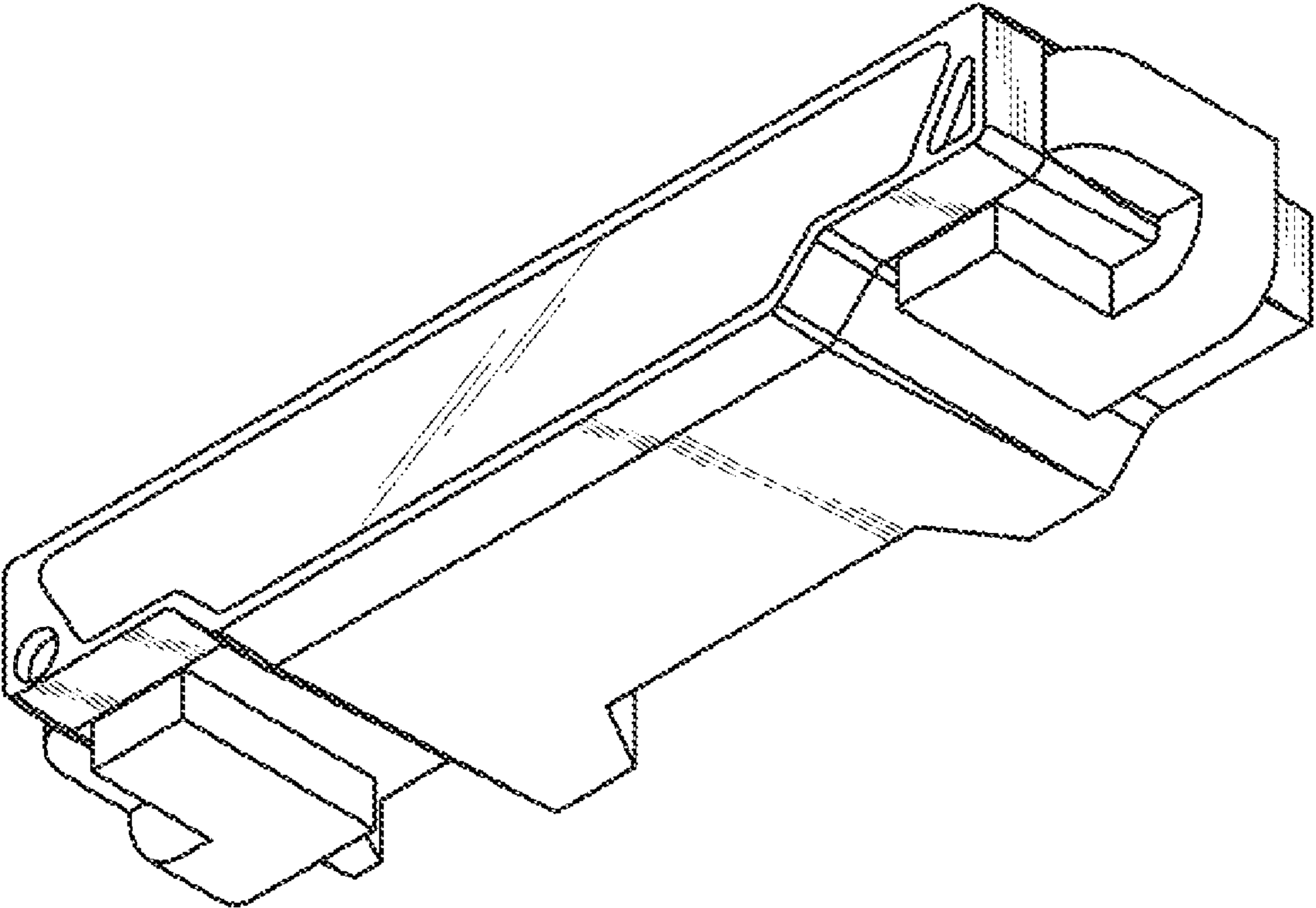


FIG. 1

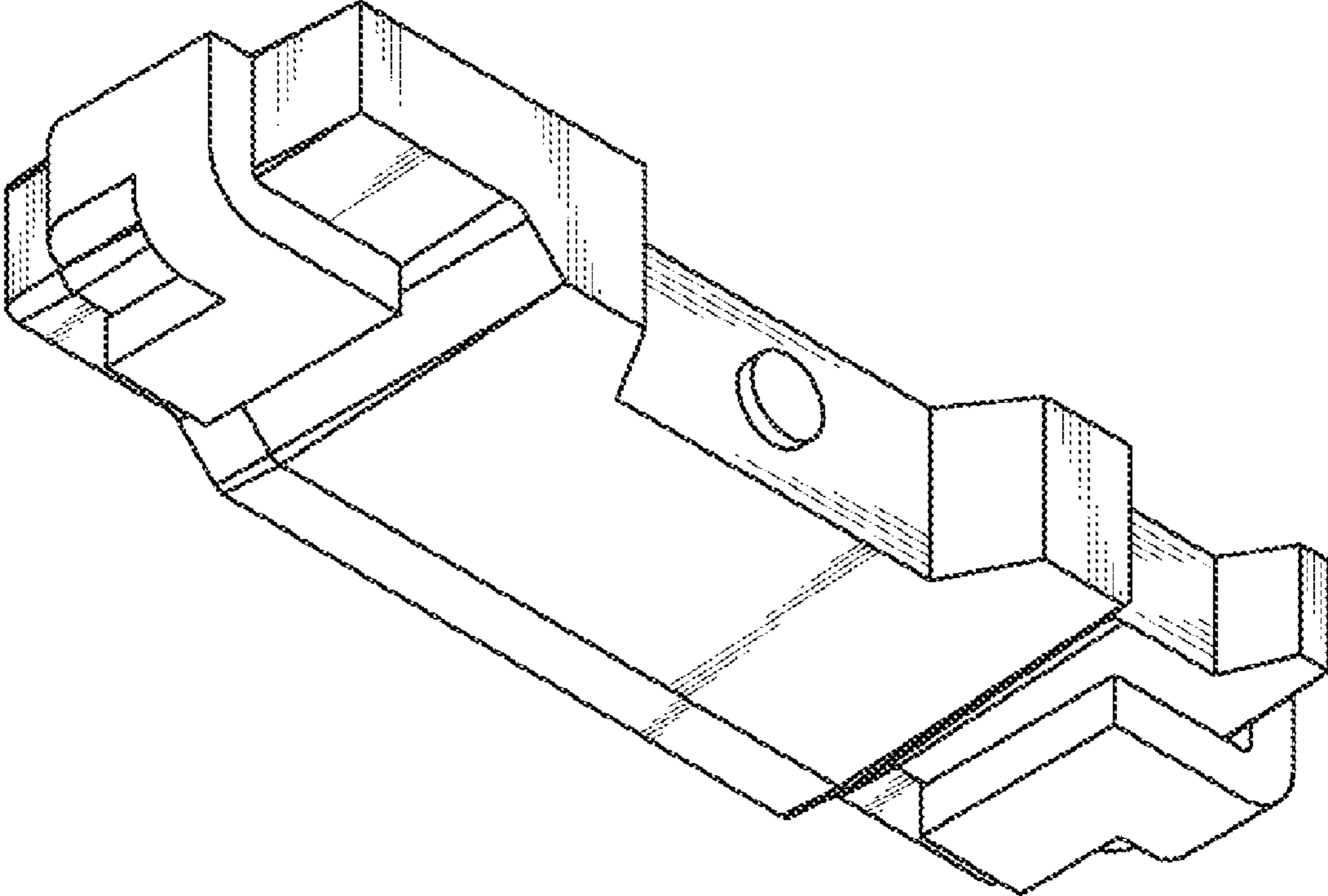


FIG.2

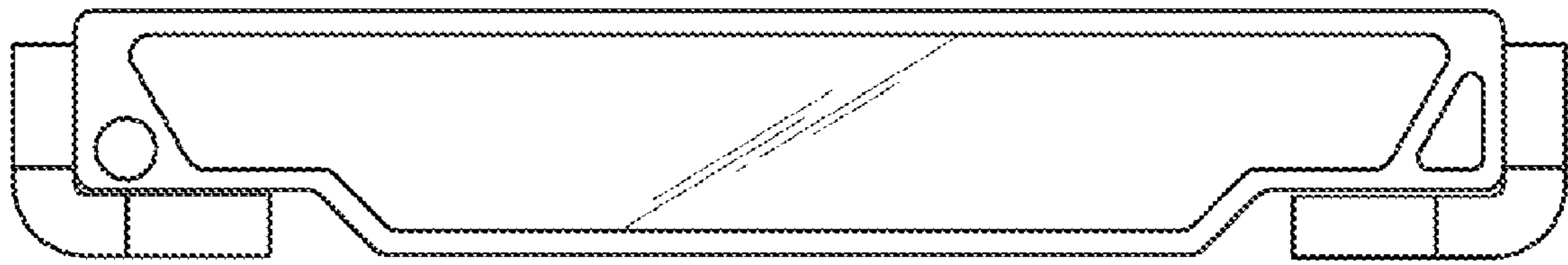


FIG.3

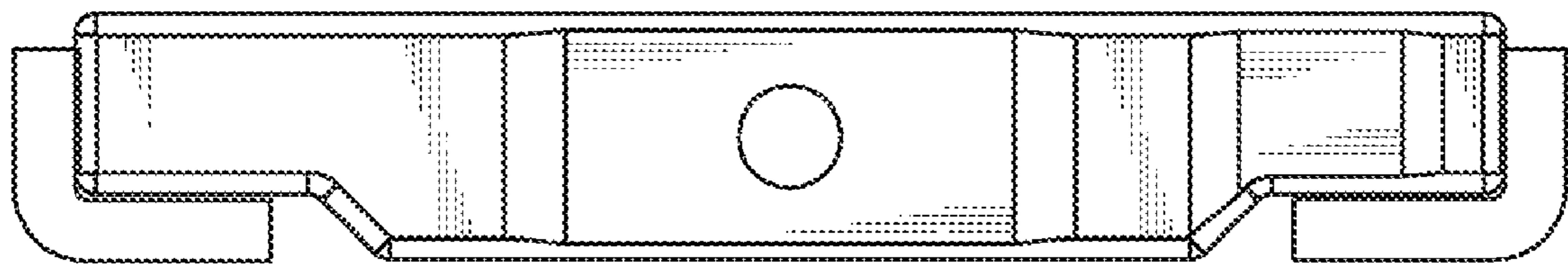


FIG.4

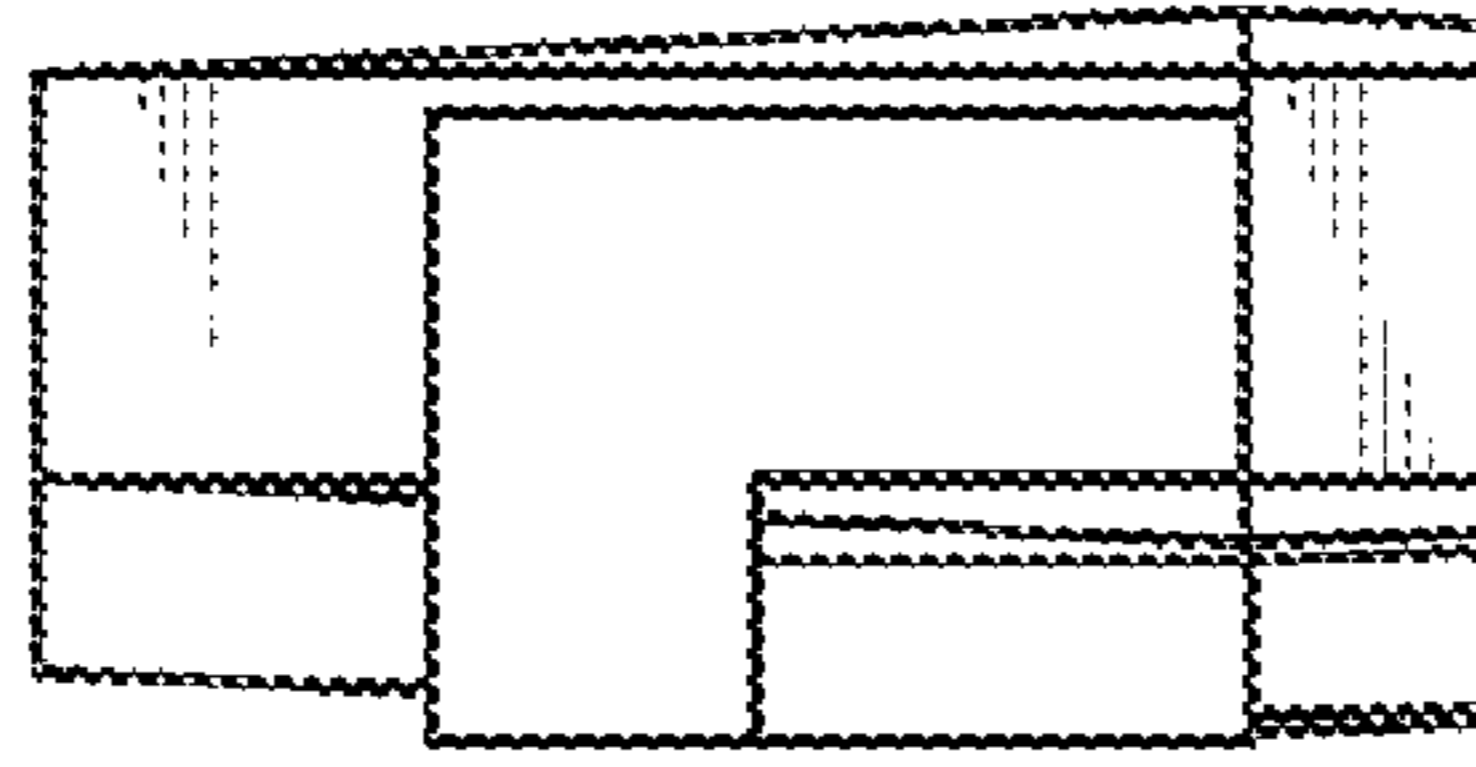


FIG. 5

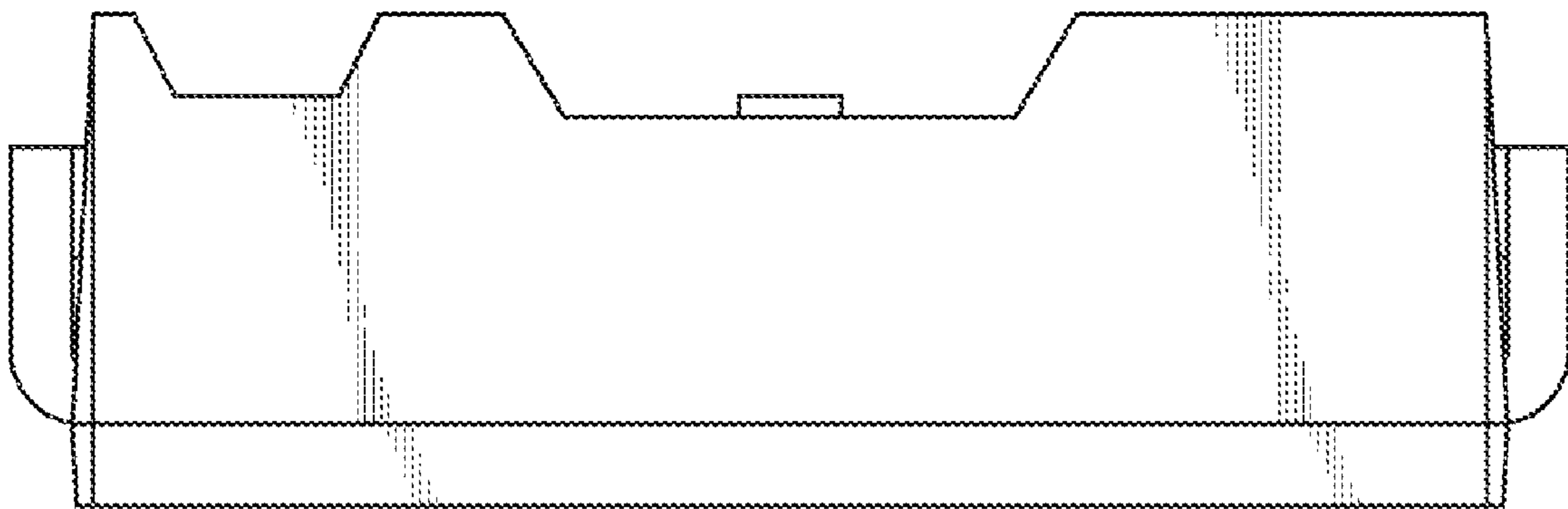


FIG. 6

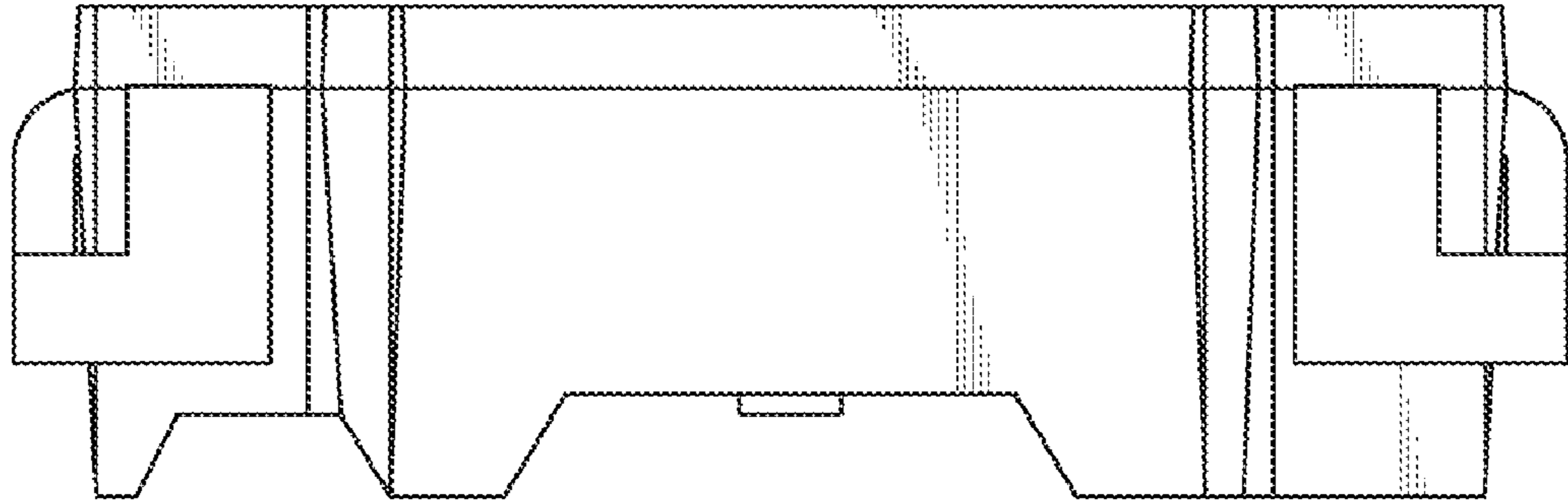


FIG. 7

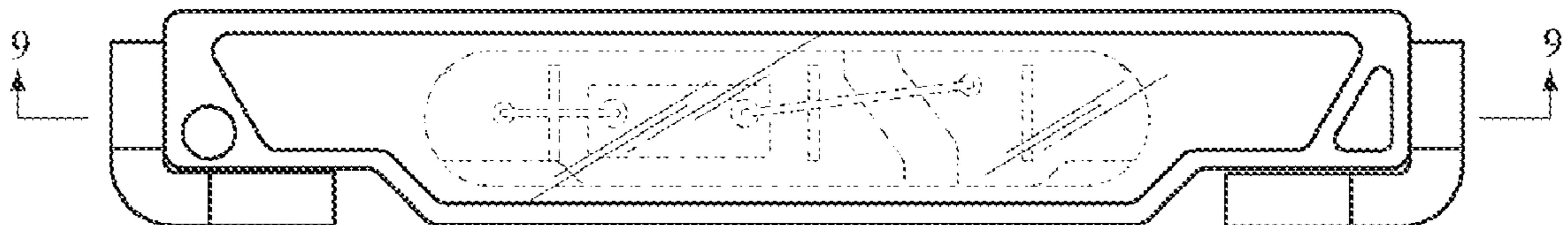


FIG. 8

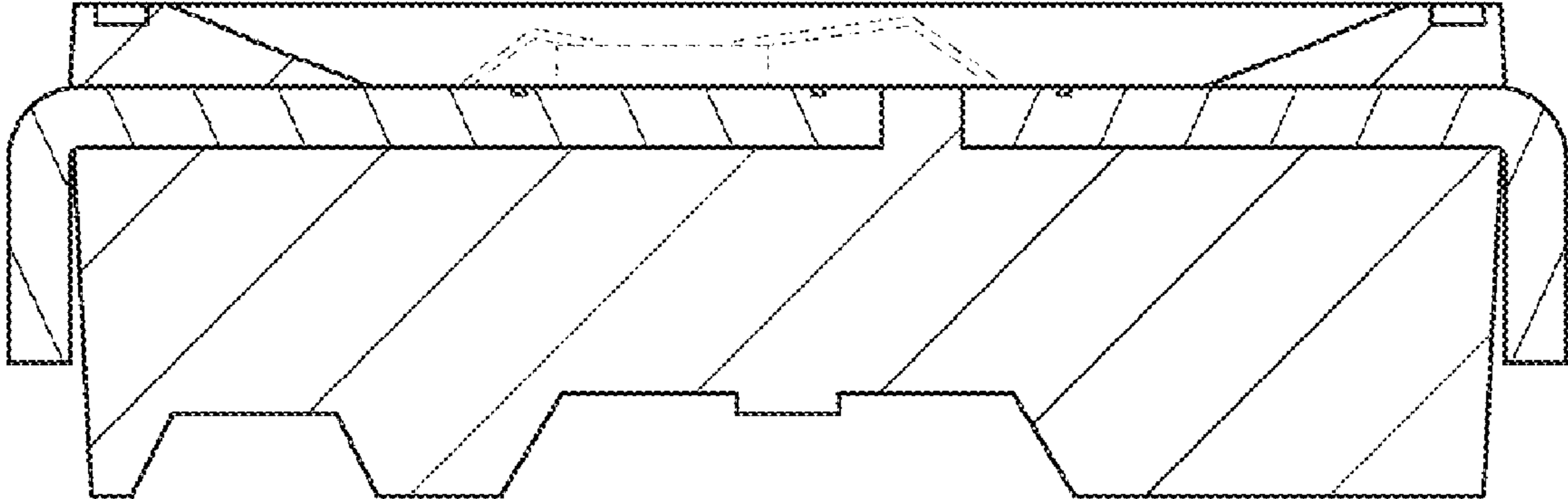


FIG. 9