



US00D636738S

(12) **United States Design Patent**  
**Feldstein et al.**

(10) **Patent No.:** **US D636,738 S**

(45) **Date of Patent:** **\*\* Apr. 26, 2011**

(54) **WALL MOUNTED BUTTON PANEL WITH SPLIT BUTTONS**

(75) Inventors: **George Feldstein**, Cresskill, NJ (US);  
**Stan Wisniewski**, Pompton Plains, NJ (US)

(73) Assignee: **Crestron Electronics Inc.**, Rockleigh, NJ (US)

(\*\*) Term: **14 Years**

(21) Appl. No.: **29/356,069**

(22) Filed: **Feb. 19, 2010**

(51) **LOC (9) Cl.** ..... **13-03**

(52) **U.S. Cl.** ..... **D13/164**

(58) **Field of Classification Search** ..... D13/158,  
D13/162, 164, 168, 171, 173, 174, 177, 184,  
D13/199; 200/5 R, 5 A, 1 B, 42.01, 229,  
200/237, 293, 296, 308, 310, 313-314, 329,  
200/331, 341, 406, 513, 520, 530, 302.1,  
200/302.2, 315, 344; 174/48, 52.1, 66;  
D8/350-353; 361/620, 627; 220/241; 307/125,  
307/139; 315/291-296; 338/68, 152, 163,  
338/184, 198-200, 226; D10/108, 116, 118  
See application file for complete search history.

(56) **References Cited**

**U.S. PATENT DOCUMENTS**

D353,798 S \* 12/1994 Bryde et al. .... D13/169  
D422,567 S \* 4/2000 Mayo et al. .... D13/162

D453,742 S 2/2002 Butler  
D465,460 S 11/2002 Mayo  
D466,090 S 11/2002 Bennett  
D466,091 S 11/2002 Bennett  
D466,484 S 12/2002 Bennett  
D475,024 S 5/2003 Bennett  
D475,025 S 5/2003 Bennett  
D490,061 S 5/2004 Bennett  
D588,072 S \* 3/2009 Hollner et al. .... D13/164  
D625,273 S \* 10/2010 Felegy et al. .... D13/168  
D625,274 S \* 10/2010 Felegy et al. .... D13/168  
D626,092 S \* 10/2010 Clymer et al. .... D13/168

\* cited by examiner

*Primary Examiner* — Thomas J Johannes

(74) *Attorney, Agent, or Firm* — Philip Kirkpatrick; John DiSeala

(57) **CLAIM**

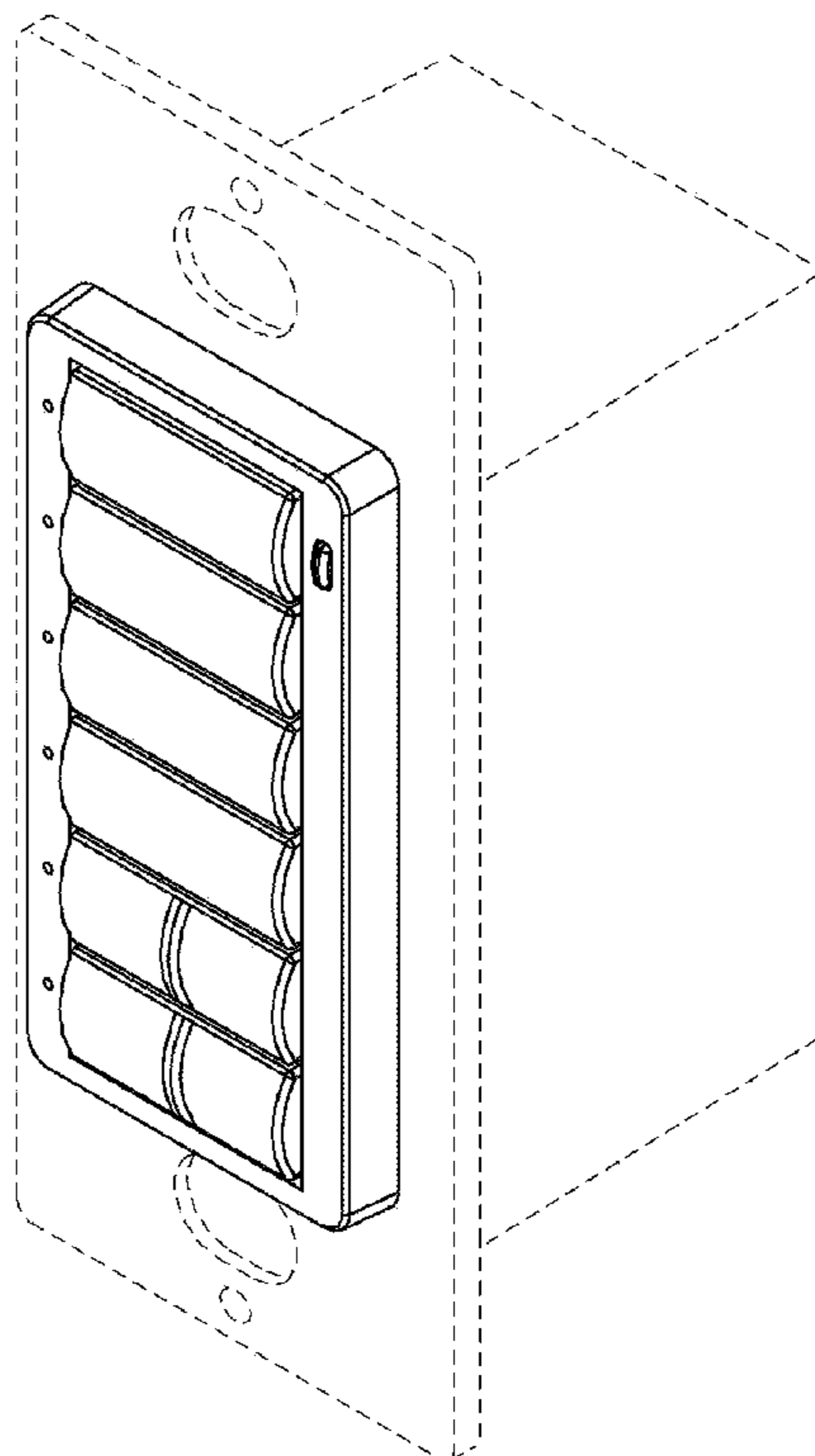
The ornamental design for a wall mounted button panel with split buttons, as shown and described.

**DESCRIPTION**

FIG. 1 is a front elevation view of a wall mounted button panel with split buttons, showing our new design;  
FIG. 2 is an isometric projection thereof;  
FIG. 3 is a left side elevation view thereof;  
FIG. 4 is a right side elevation view thereof;  
FIG. 5 is a top plan view thereof; and,  
FIG. 6 is a bottom plan view thereof.

The broken line portion of the figure drawings is included to show unclaimed subject matter only and forms no part of the claimed design.

**1 Claim, 4 Drawing Sheets**



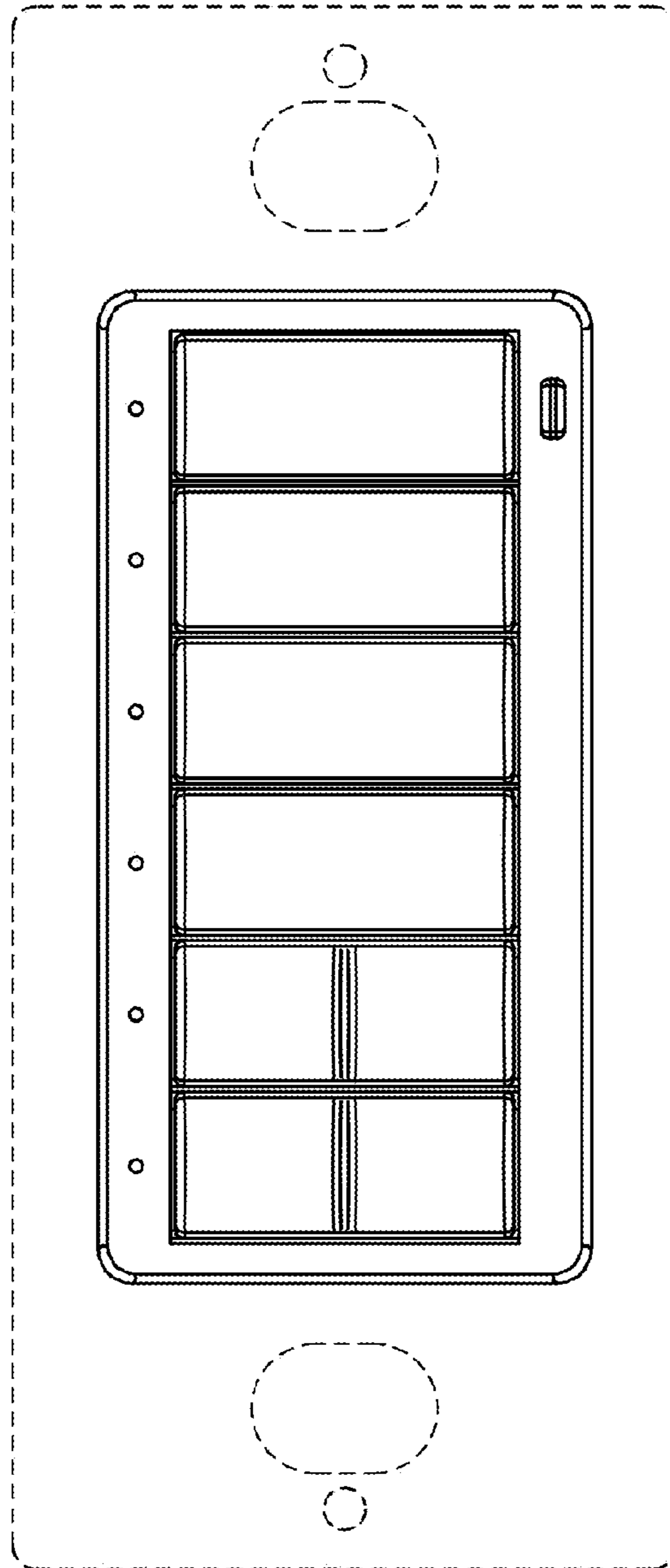


FIG. 1

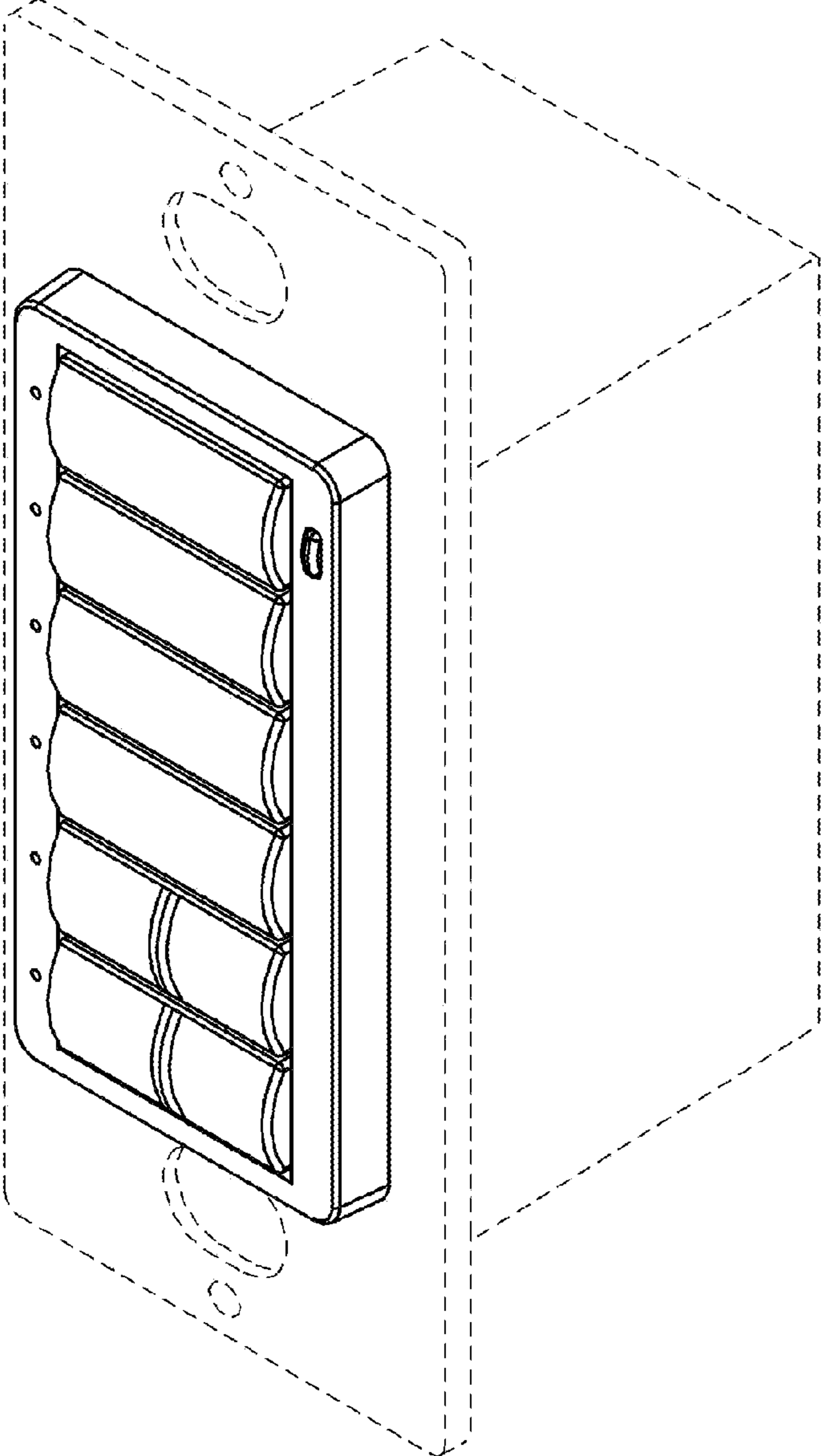


FIG. 2

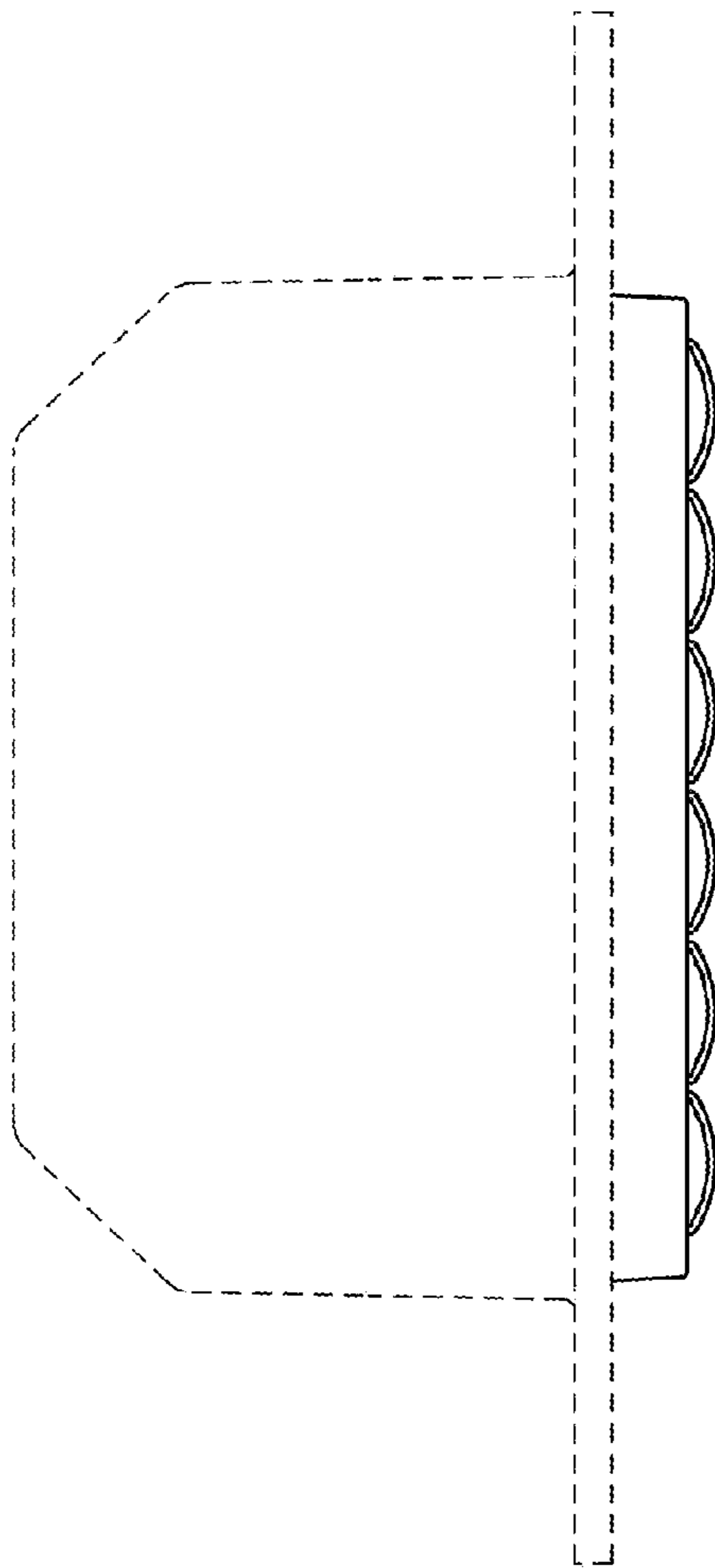


FIG. 3

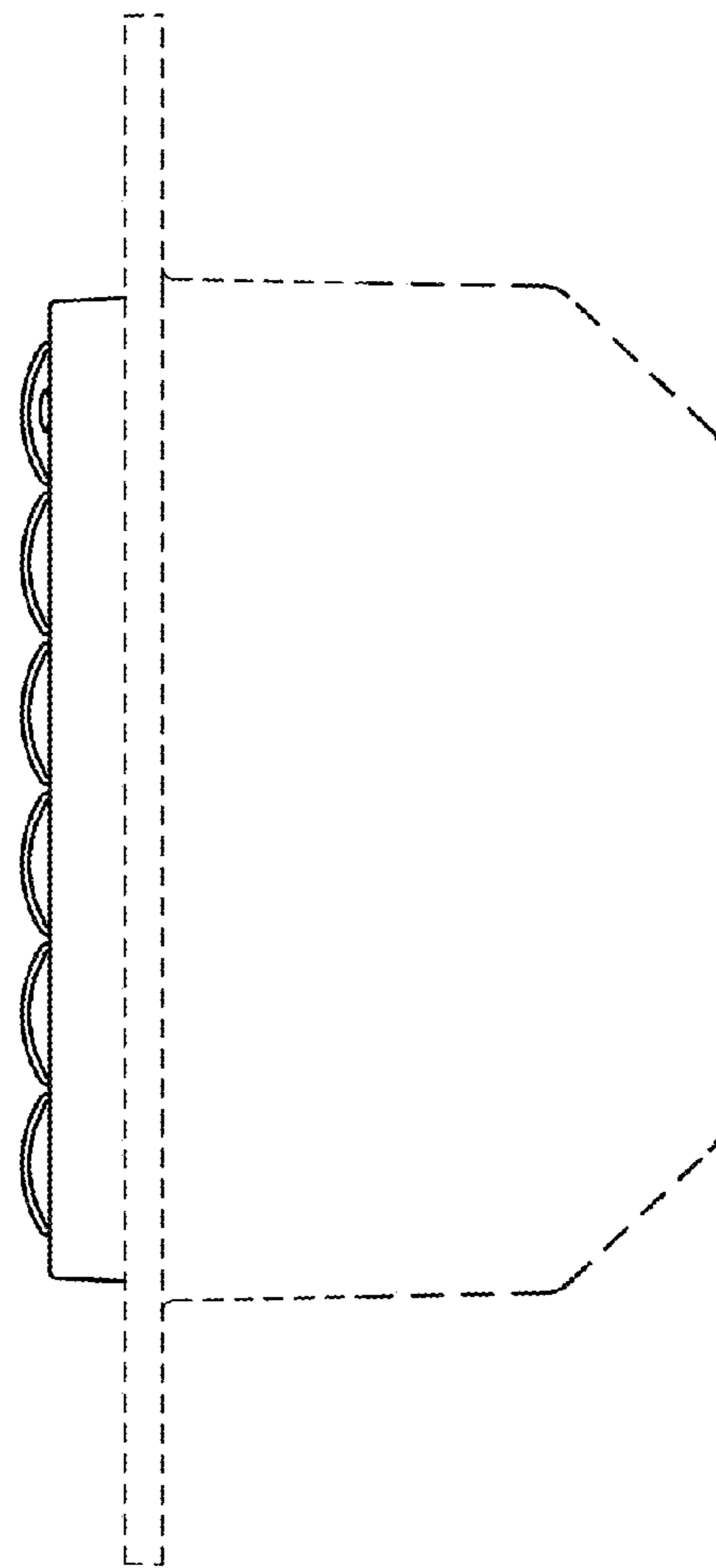


FIG. 4

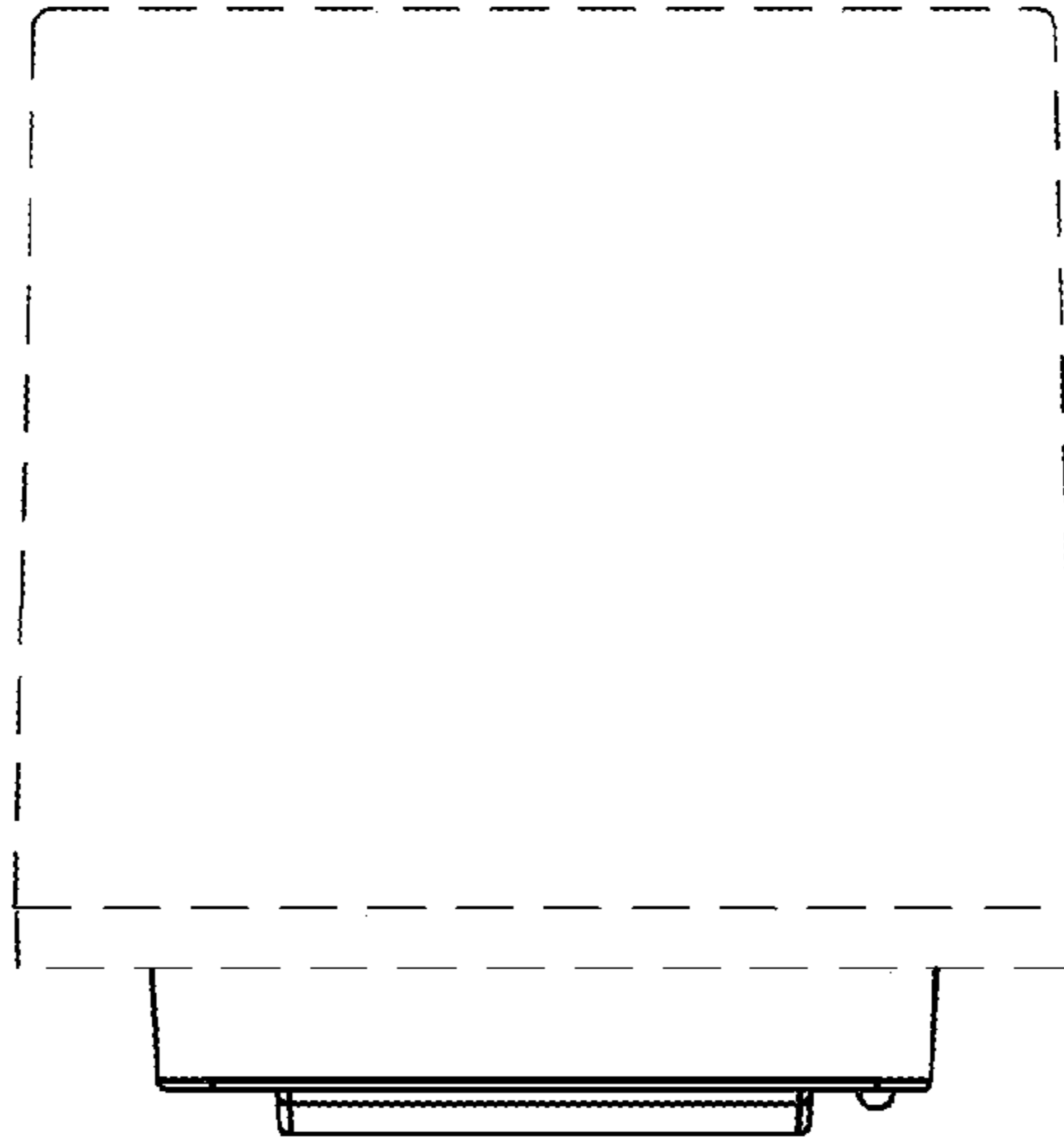


FIG. 5

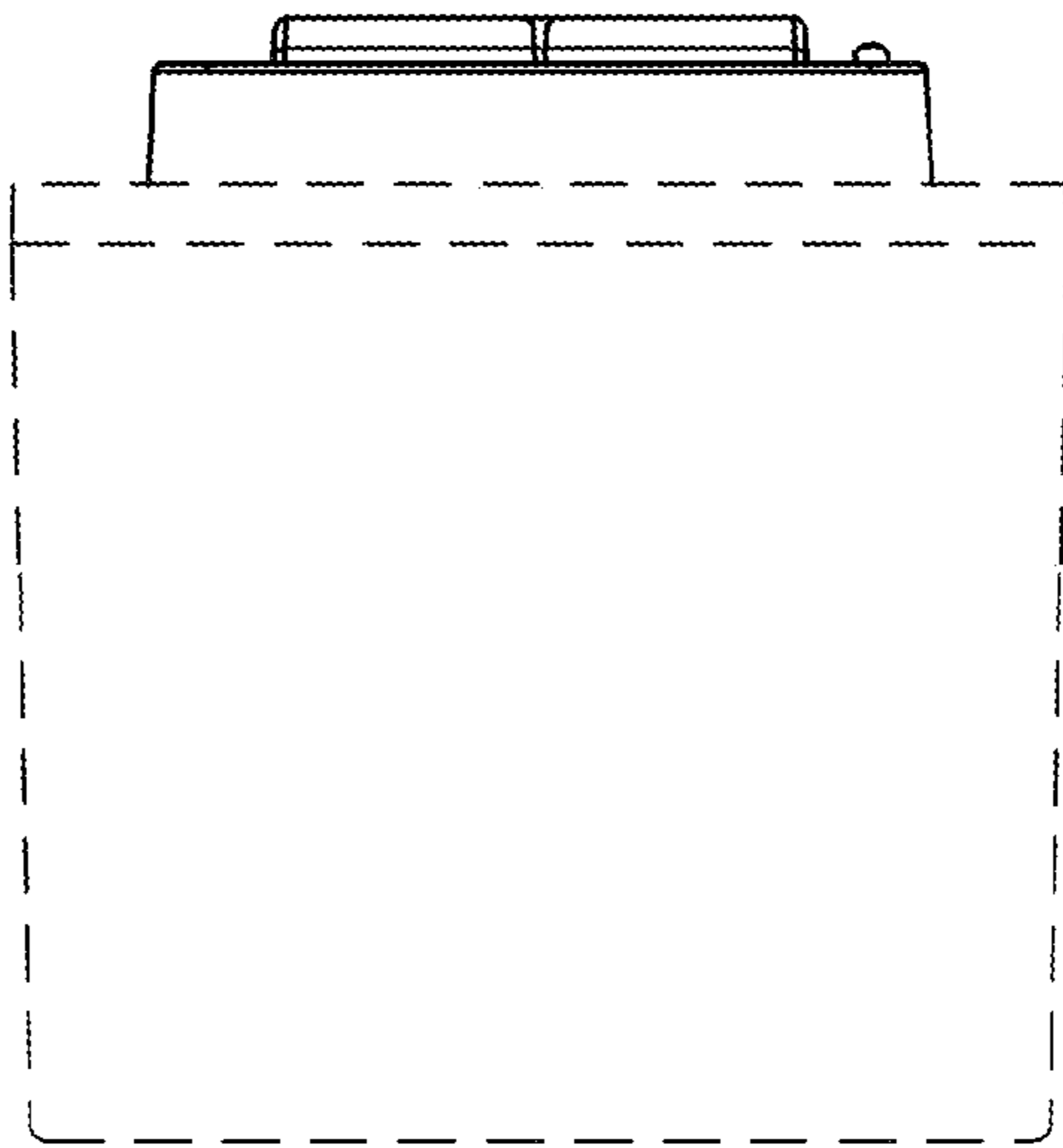


FIG. 6