



US00D636737S

(12) **United States Design Patent**
Ngo et al.

(10) **Patent No.:** **US D636,737 S**
(45) **Date of Patent:** **** Apr. 26, 2011**

(54) **ELECTRICAL CONNECTOR**

(75) Inventors: **Hung Viet Ngo**, Harrisburg, PA (US);
John David Dodds, Harrisburg, PA (US)

(73) Assignee: **FCI Americas Technology LLC**,
Carson City, NV (US)

(**) Term: **14 Years**

(21) Appl. No.: **29/375,748**

(22) Filed: **Sep. 27, 2010**

Related U.S. Application Data

(63) Continuation of application No. 29/331,710, filed on
Jan. 30, 2009, now Pat. No. Des. 626,074.

(51) **LOC (9) Cl.** **13-03**

(52) **U.S. Cl.** **D13/154; D13/147**

(58) **Field of Classification Search** D13/133,
D13/146-147, 154, 184; 439/108, 607-610,
439/540.1, 541.5

See application file for complete search history.

(56) **References Cited**

U.S. PATENT DOCUMENTS

5,059,142	A	10/1991	Ohta et al.
D418,817	S	1/2000	Wu
6,126,475	A	10/2000	Matsuura et al.
6,431,886	B1	8/2002	Ramey et al.
D465,204	S	11/2002	Shi et al.
D465,765	S	11/2002	Zhang et al.
D465,769	S	11/2002	Zhang et al.
D466,084	S	11/2002	Zhang et al.
6,716,045	B2	4/2004	Meredith
D499,381	S	12/2004	Hu et al.
D517,487	S	3/2006	Riku
D517,992	S	3/2006	Riku

OTHER PUBLICATIONS

AMP-HDI Hybrid Connectors, Product Line Information for AMP-HDI Hybrid Connectors and Contacts, Tyco Electronics, 2006, 3 pages.

Drawing of Electrical Connector With Dimensional Information Redacted, dated 2004: sheets 1-2.

Drawing of Electrical Connector With Dimensional Information Redacted, dated 2004: sheets 1-4.

Engineer Drawings, 7.2 Guide Module, Right Angle, Aug. 3, 2004, 2 pages.

Guidance Hardware and Applications, Product Line Information for Accessories (AMP-HDI and TBC), Tyco Electronics, 2006, 2 pages.

Keying Hardware and Applications, Product Line Information for Accessories (AMP-HDI and TBC), Tyco Electronics, 2006, 1 page.

Power Hardware and Applications (for Three and Four-Row Connectors Only), Product Line Information for Accessories (AMP-HDI and TBC), Tyco Electronics, 2006, 2 pages.

Redacted Inspection Prints SK10045368, Low Profile Guide Pin, 2004, 2 pages.

Redacted Inspection Prints SK10045588, Right Angle Guide Pin, 2004, 4 pages.

Universal Power Module, Product Line Information for Universal Power Module (for use with Z-Pack 2mm HM, Z-Pack HS3, Z-Pack HM Zd and Multi GIG RT2J), 2006, 2 pages.

Primary Examiner — Daniel D Bui

(74) *Attorney, Agent, or Firm* — Woodcock Washburn LLP

(57) **CLAIM**

The ornamental design for an electrical connector, as shown and described.

DESCRIPTION

This application is related by subject matter to U.S. Design patent No. D616,827 issued Jun. 1, 2010.

FIG. 1 is a top, right, front perspective view of an electrical connector according to our design;

FIG. 2 is a top plan view thereof;

FIG. 3 is a bottom plan view thereof;

FIG. 4 is a right side elevation view thereof;

FIG. 5 is a left side elevation view thereof;

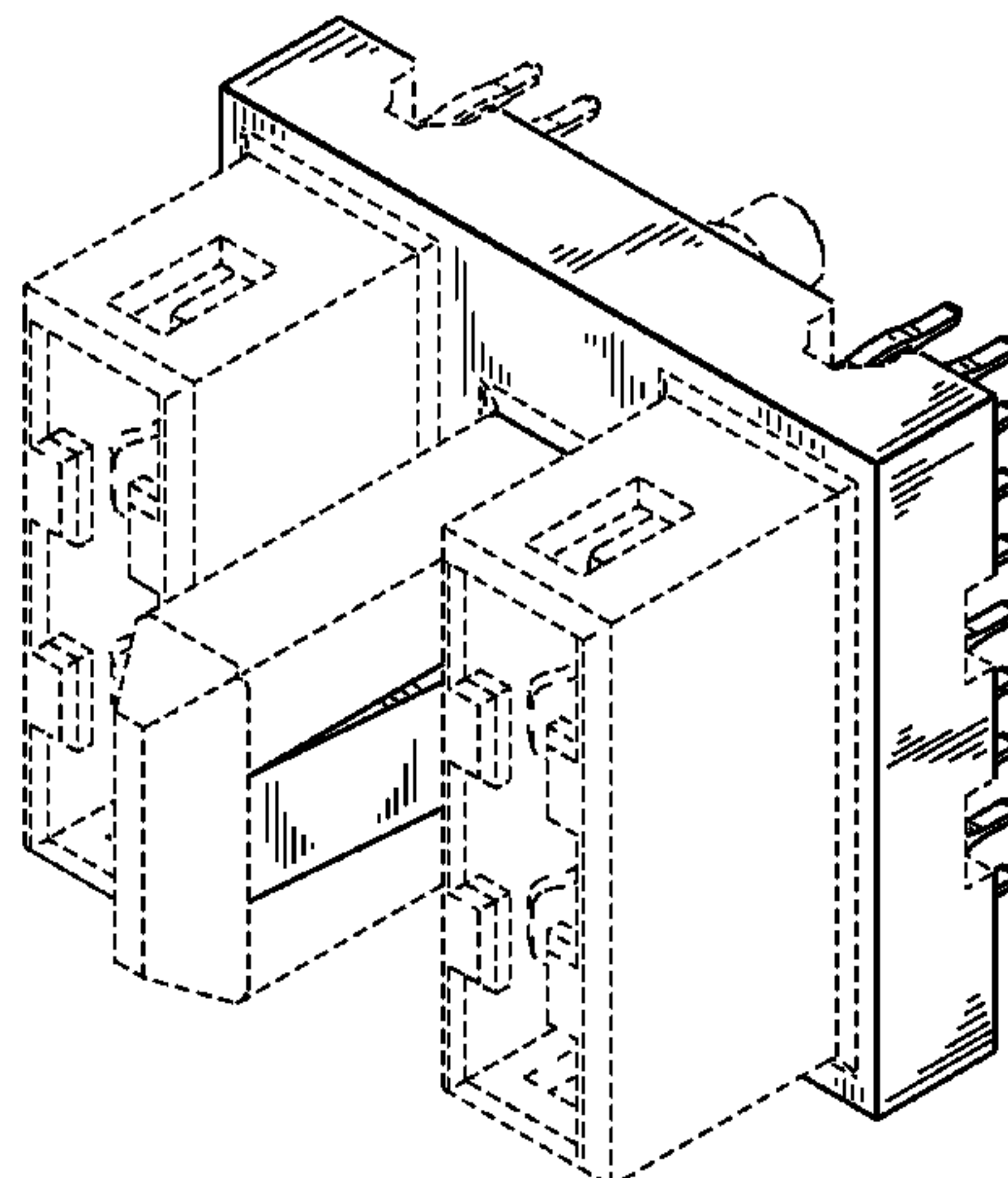
FIG. 6 is a front elevation view thereof; and,

FIG. 7 is a rear elevation view thereof.

The broken line portion of the figure drawings is included to show unclaimed subject matter only and forms no part of the claimed design.

In a preferred embodiment, the nature of this product is an electrical connector in the form of an electrical connector housing configured for retaining a plurality of electrical contacts.

1 Claim, 4 Drawing Sheets



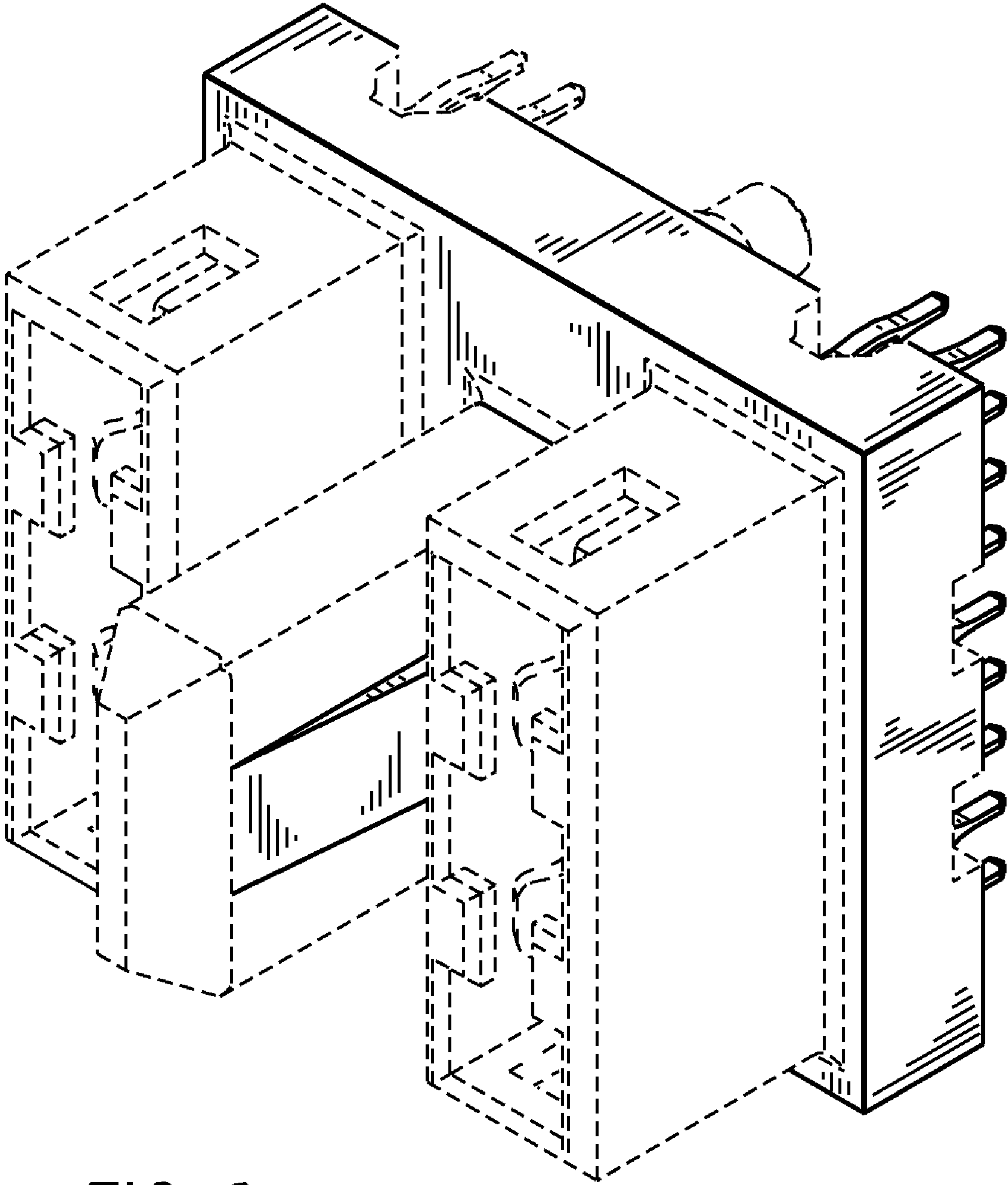


FIG. 1

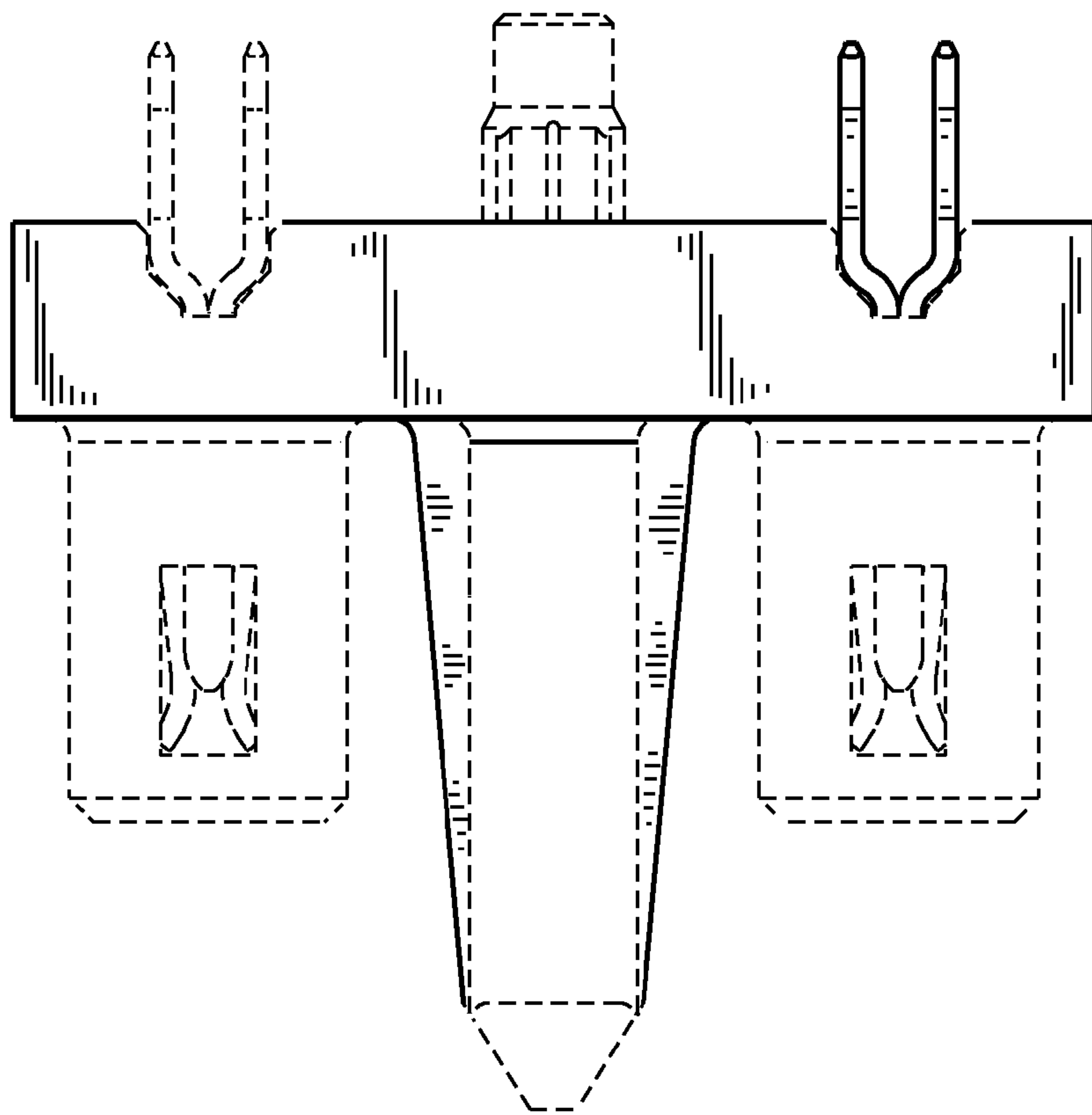


FIG. 2

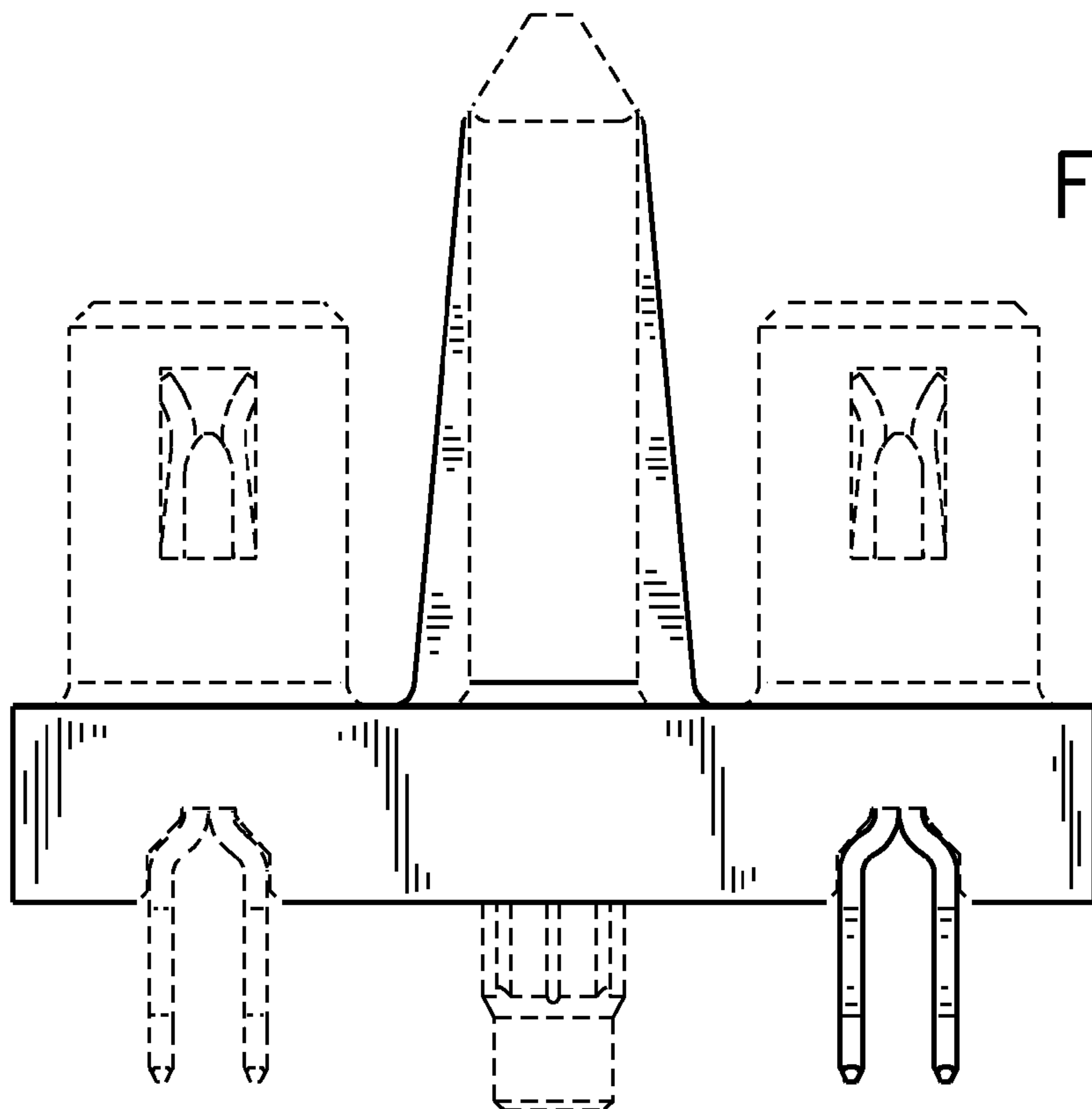


FIG. 3

FIG. 4

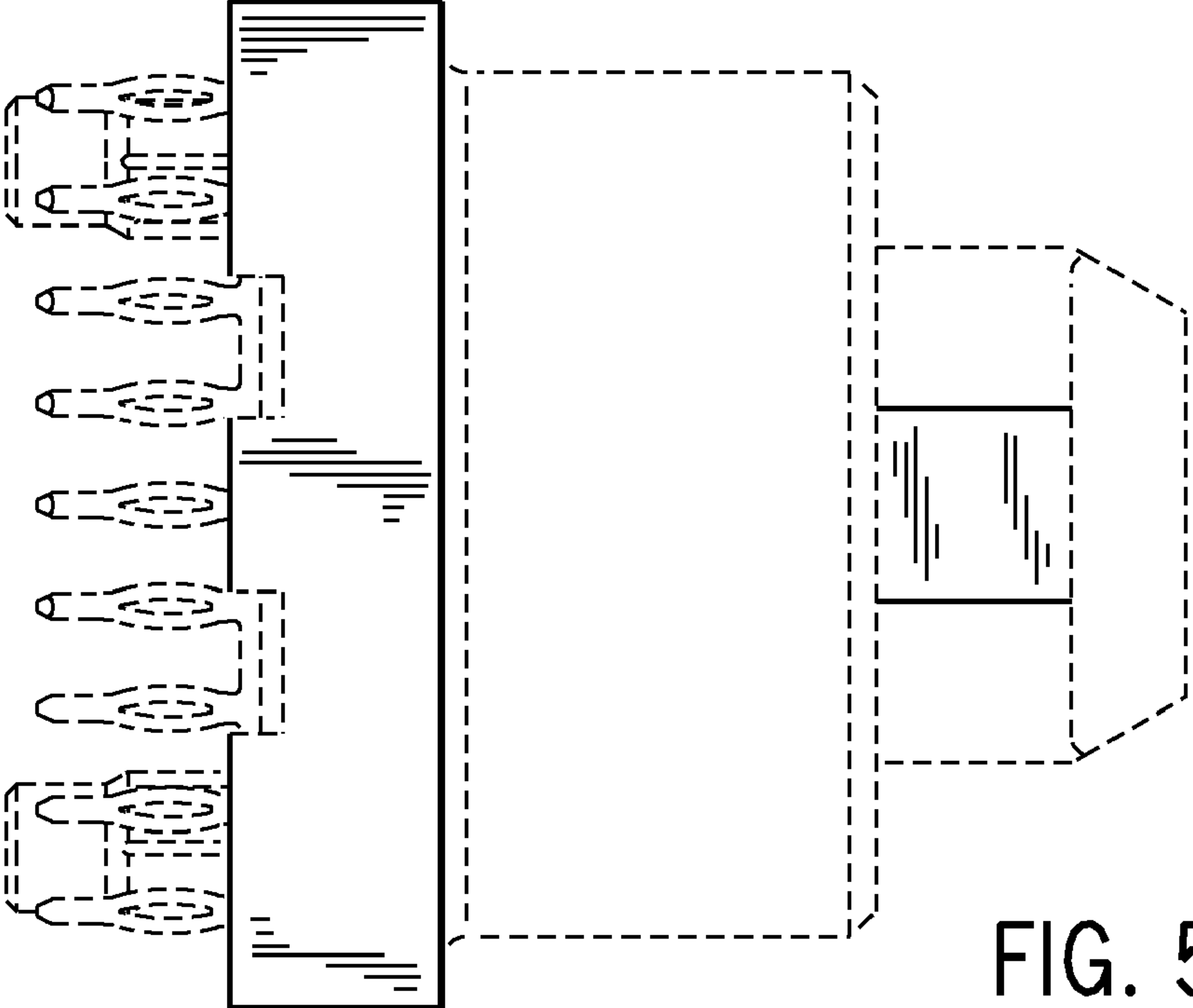
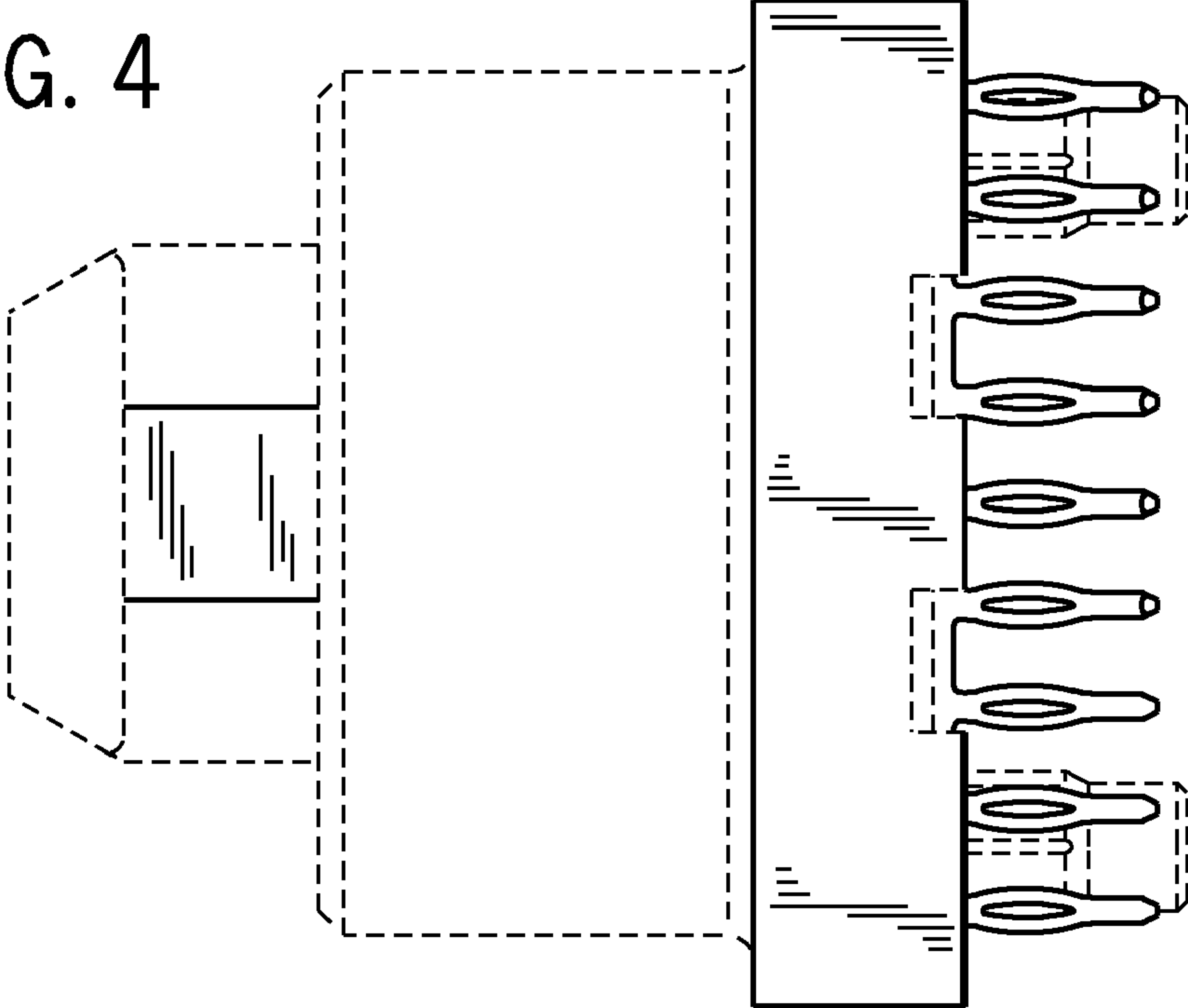


FIG. 5

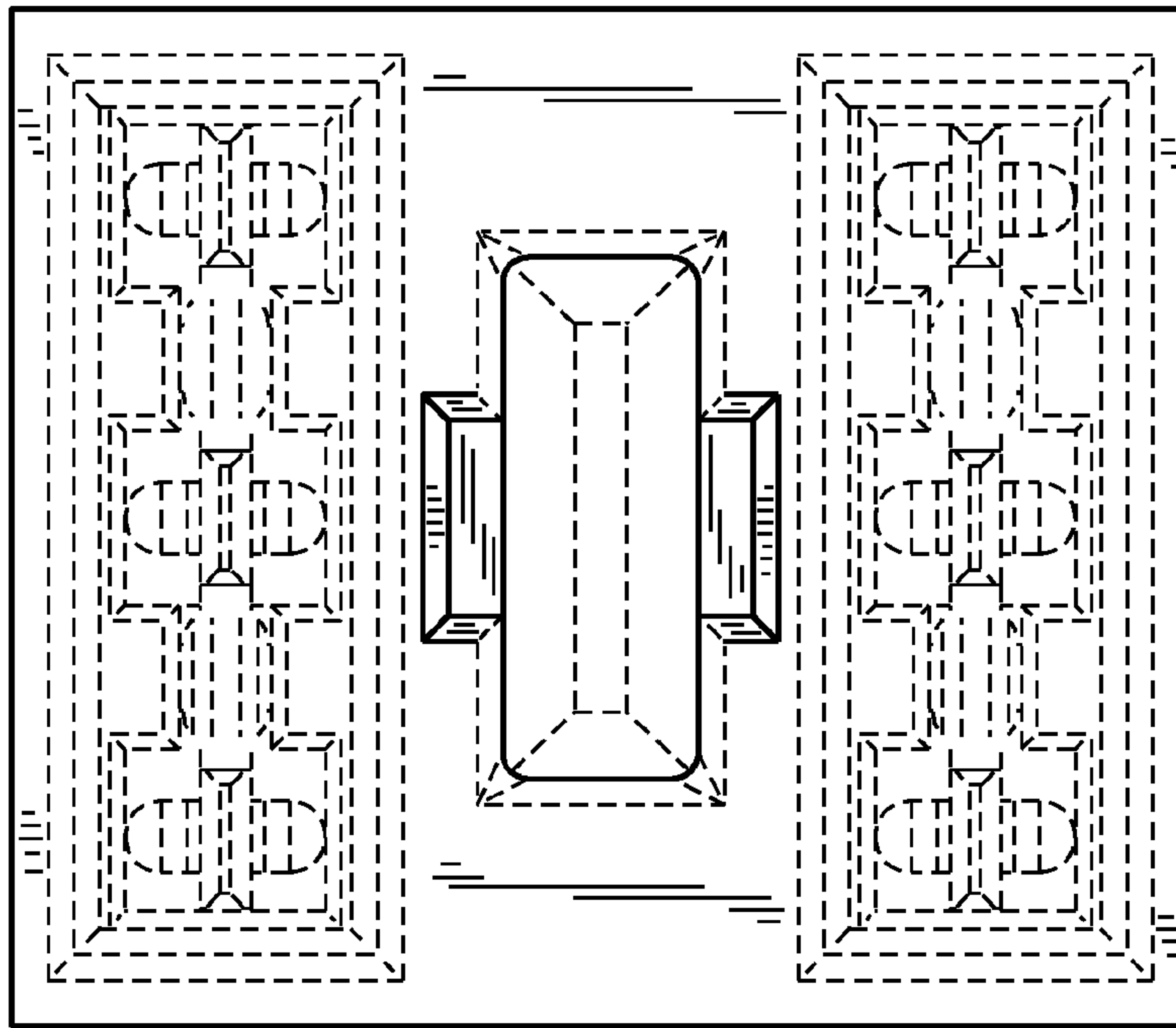


FIG. 6

FIG. 7

