



US00D636735S

(12) **United States Design Patent**
Svelnis et al.

(10) **Patent No.:** **US D636,735 S**
(45) **Date of Patent:** **** Apr. 26, 2011**

(54) **PANEL RECEPTACLE FOR HI POWER CONNECTOR**

(75) Inventors: **Christine M Svelnis**, Boylston, MA (US); **Craig H Baker**, Shrewsbury, MA (US); **Jeffrey S Burkhardt**, Brookline, NH (US)

(73) Assignee: **Anderson Power Products, Inc.**, Sterling, MA (US)

(**) Term: **14 Years**

(21) Appl. No.: **29/368,432**

(22) Filed: **Aug. 24, 2010**

(51) **LOC (9) Cl.** **13-03**

(52) **U.S. Cl.** **D13/154**

(58) **Field of Classification Search** D13/133, D13/146, 147, 154, 156, 184, 199; 439/304, 439/310, 325, 338, 344, 345, 347, 350, 367, 439/370, 374, 527, 533, 607.53, 894, 901, 439/903

See application file for complete search history.

(56) **References Cited**

U.S. PATENT DOCUMENTS

D311,733 S * 10/1990 Kuzuno et al. D13/133
5,127,848 A * 7/1992 Taguchi 439/489

5,651,689 A * 7/1997 Plyler et al. 439/352
D415,999 S * 11/1999 Esposito D13/162
6,171,136 B1 * 1/2001 Liu et al. 439/466
D503,150 S * 3/2005 Yamawaki et al. D13/147
D522,459 S * 6/2006 Chen et al. D13/147
D544,843 S * 6/2007 Sugita et al. D13/148
D599,297 S * 9/2009 Chen D13/147

* cited by examiner

Primary Examiner — Daniel Bui

(74) *Attorney, Agent, or Firm* — Vern Maine & Associates

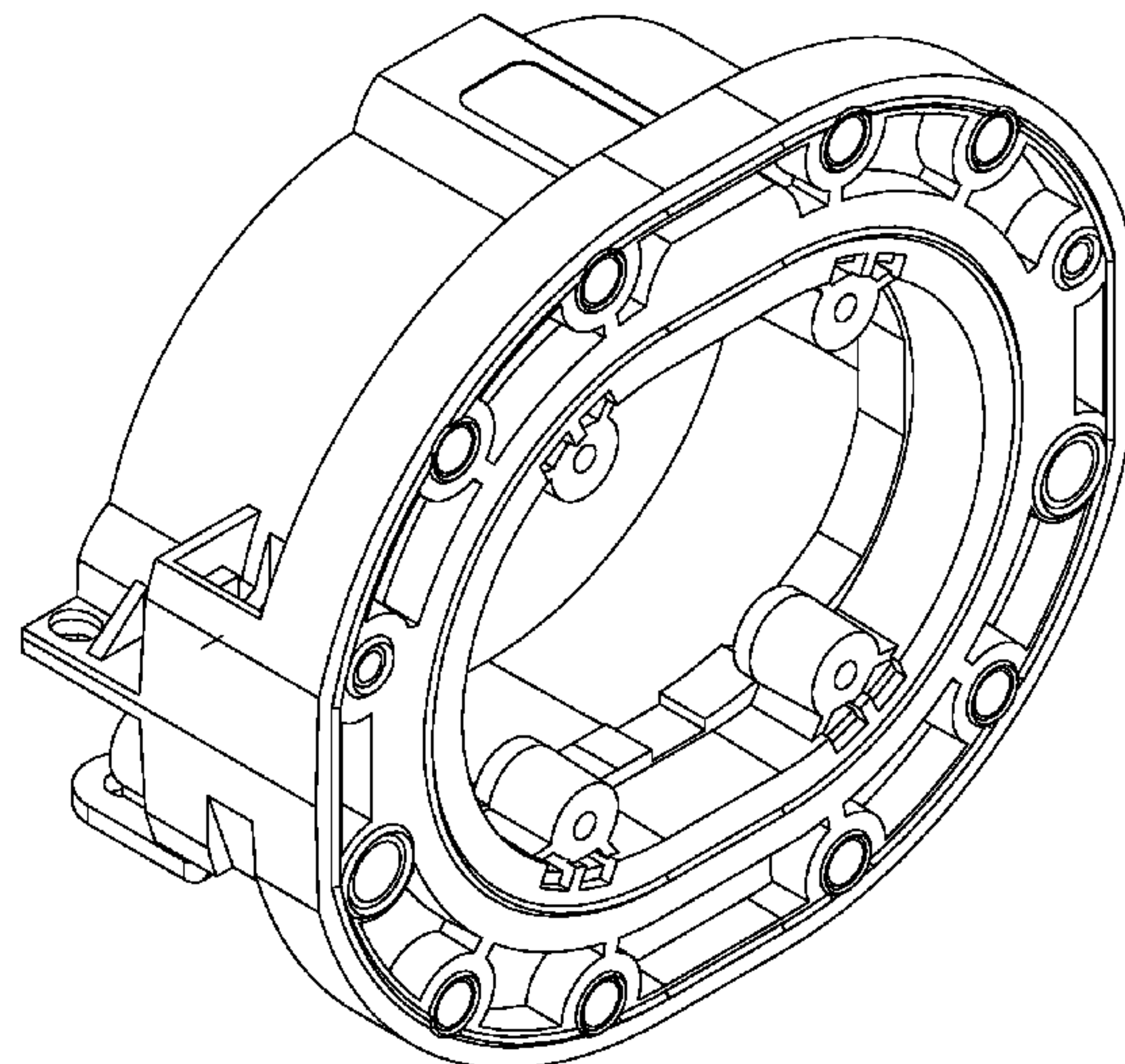
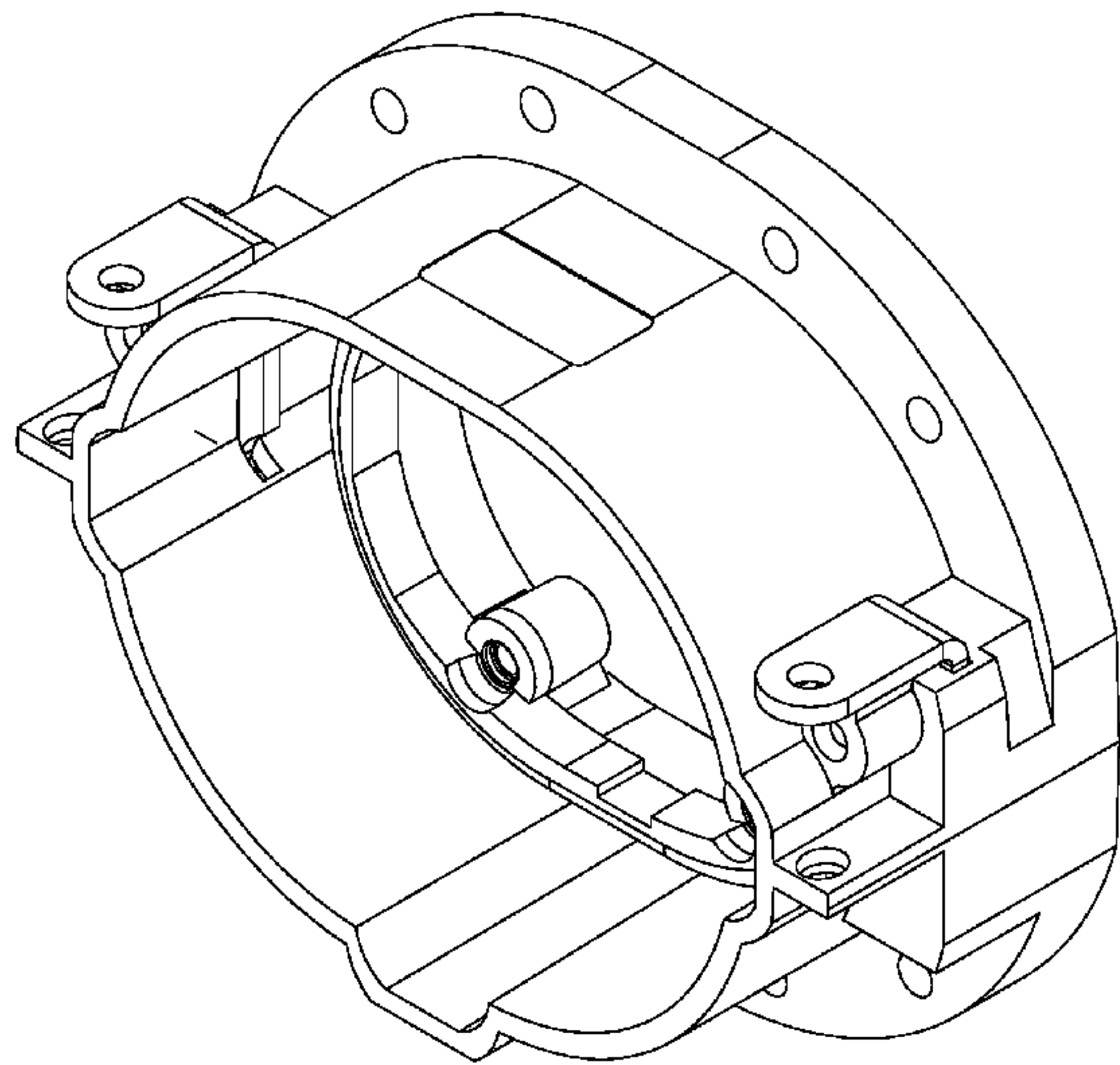
(57) **CLAIM**

The ornamental design for a panel receptacle for hi power connector, as shown and described.

DESCRIPTION

FIG. 1 is a front view of a panel receptacle for hi power connector showing our new design; FIG. 2 is a top view thereof; FIG. 3 is a bottom view thereof; FIG. 4 is a right side view thereof; FIG. 5 is a left side view thereof; FIG. 6 is a back view thereof; FIG. 7 is a front, top perspective view thereof; and, FIG. 8 is a back, bottom perspective view thereof.

1 Claim, 8 Drawing Sheets



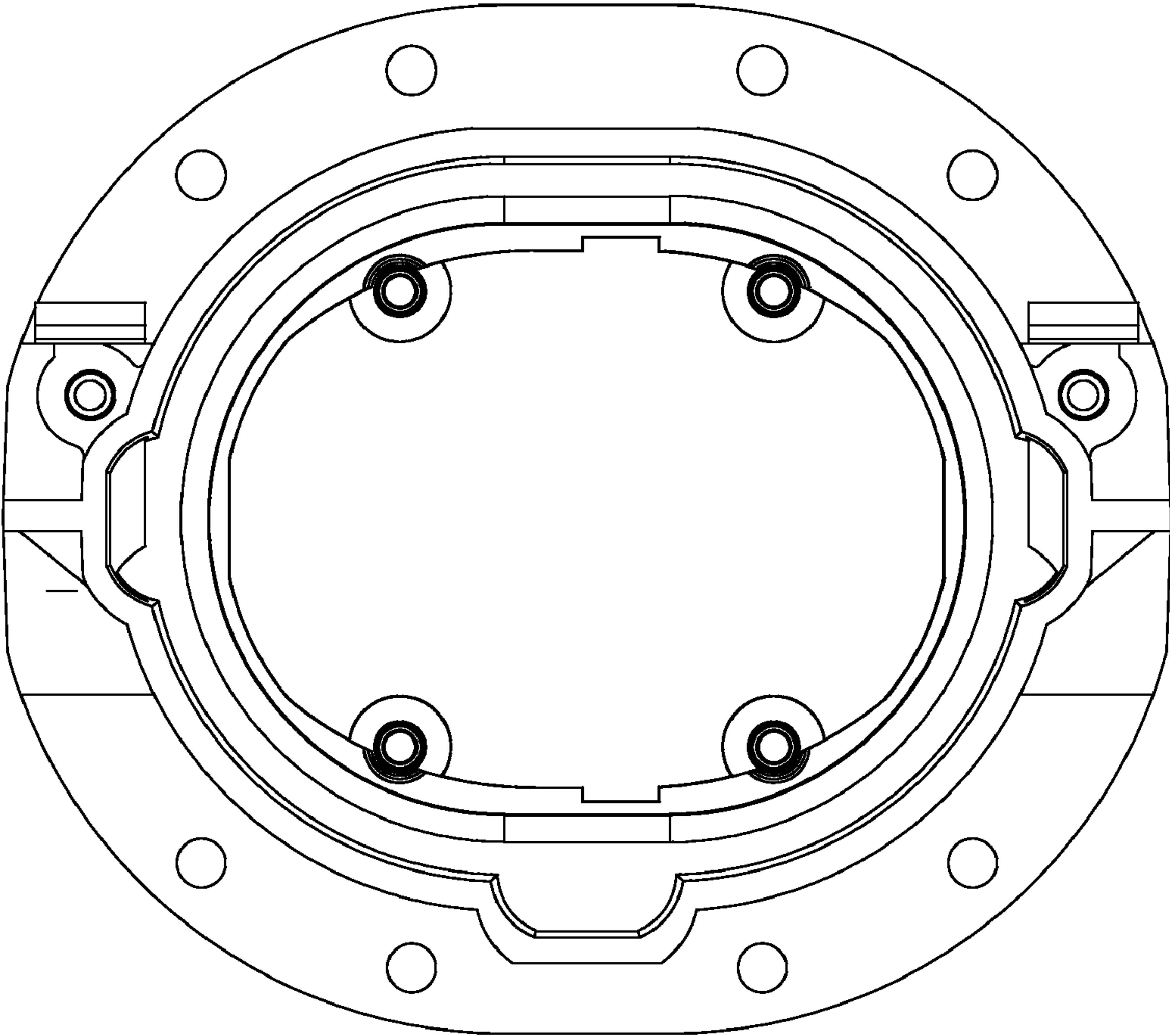


FIG. 1

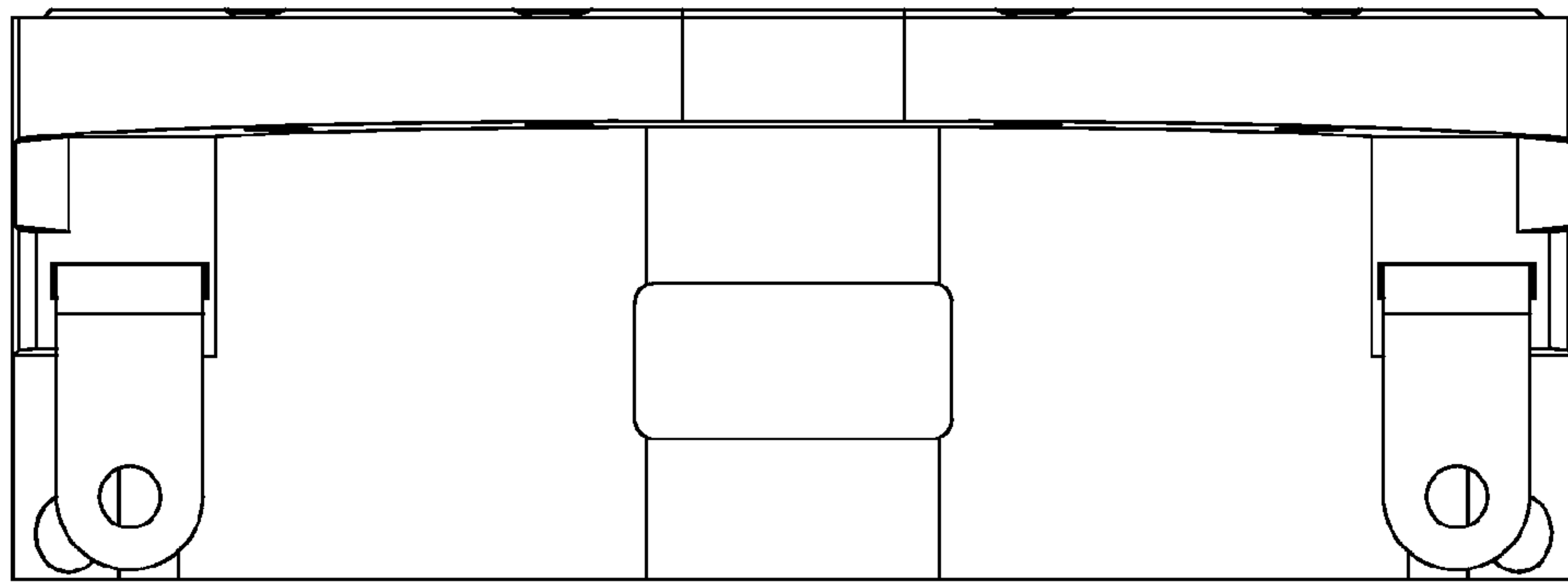


FIG. 2

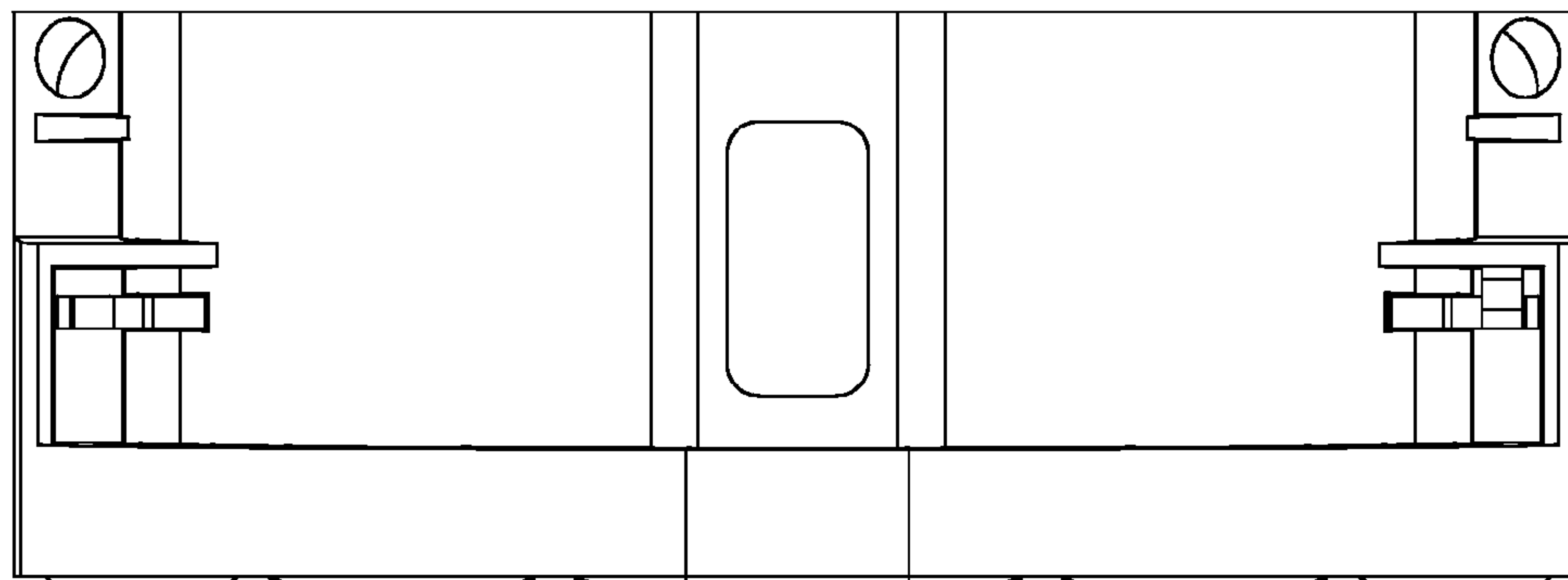


FIG. 3

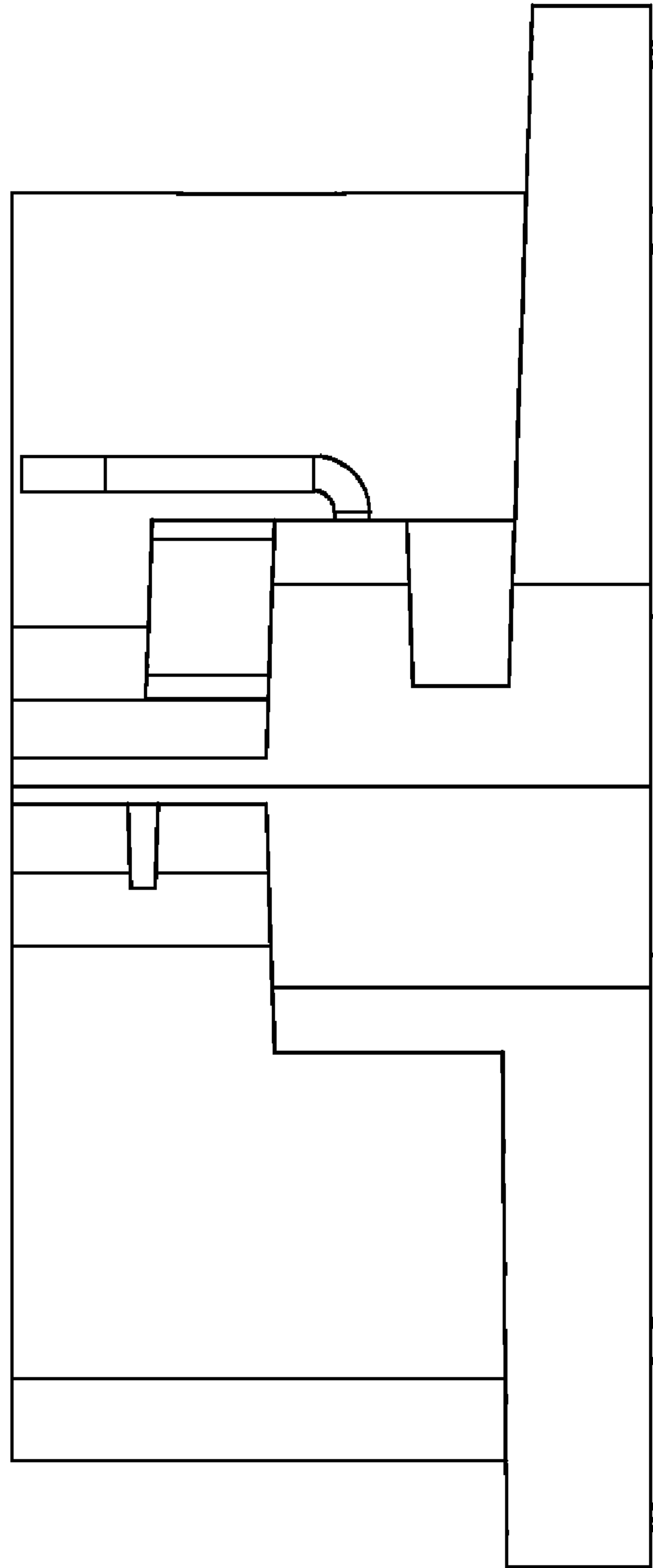


FIG. 4

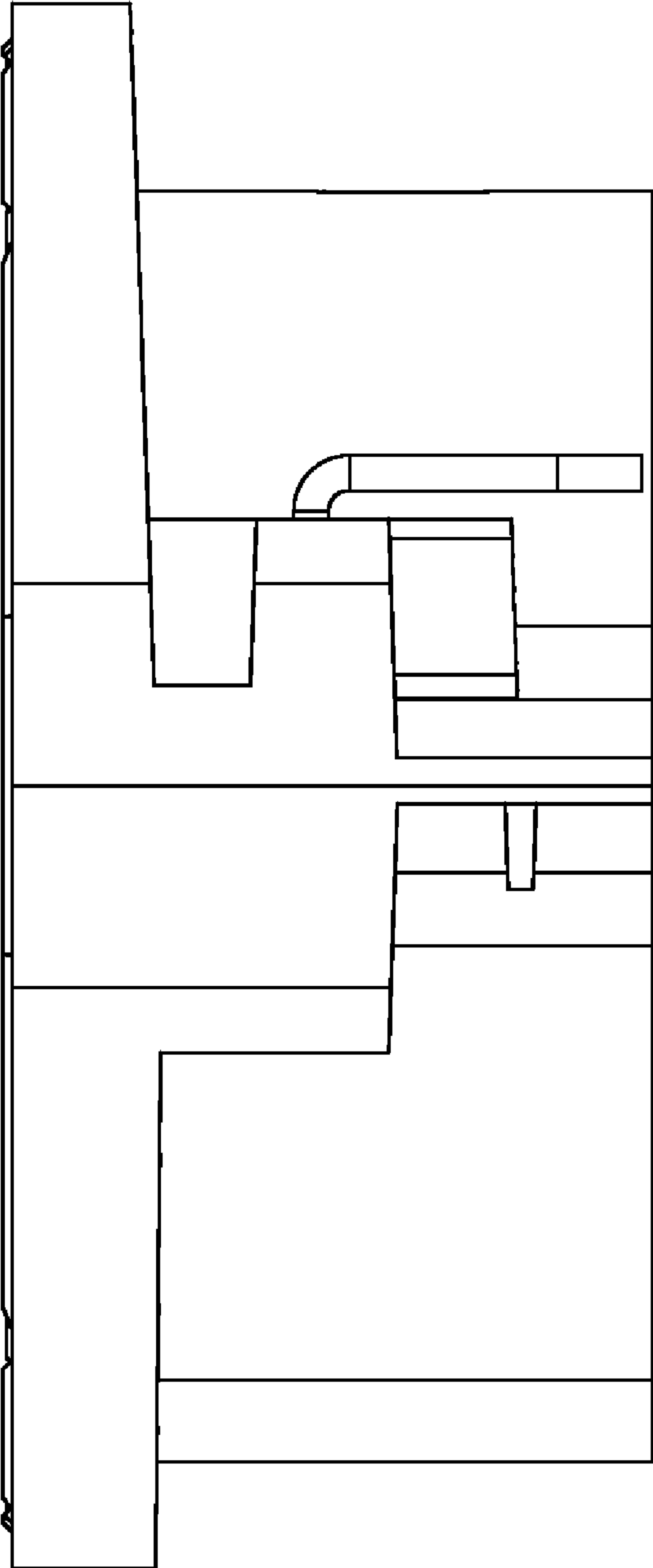


FIG. 5

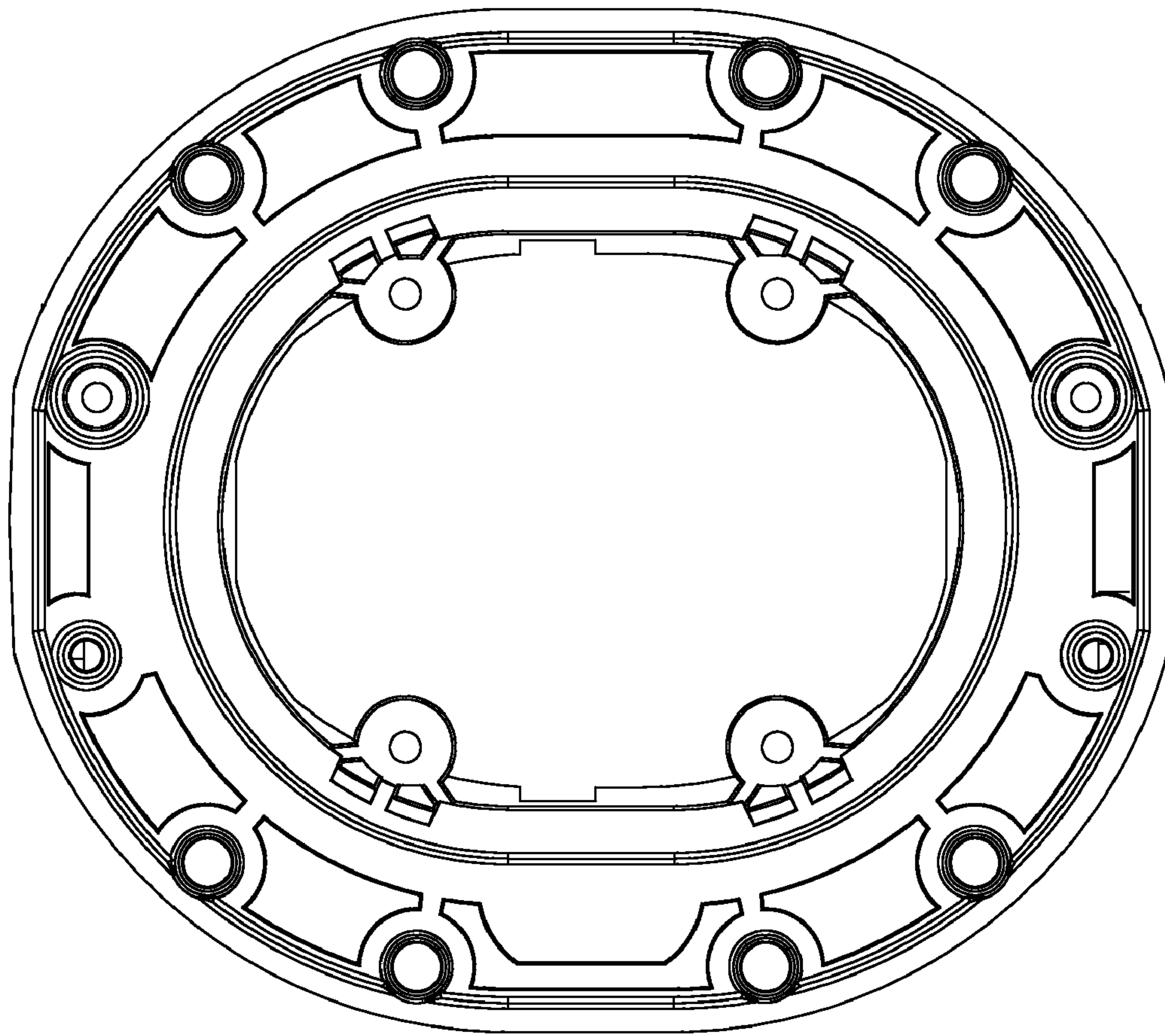


FIG. 6

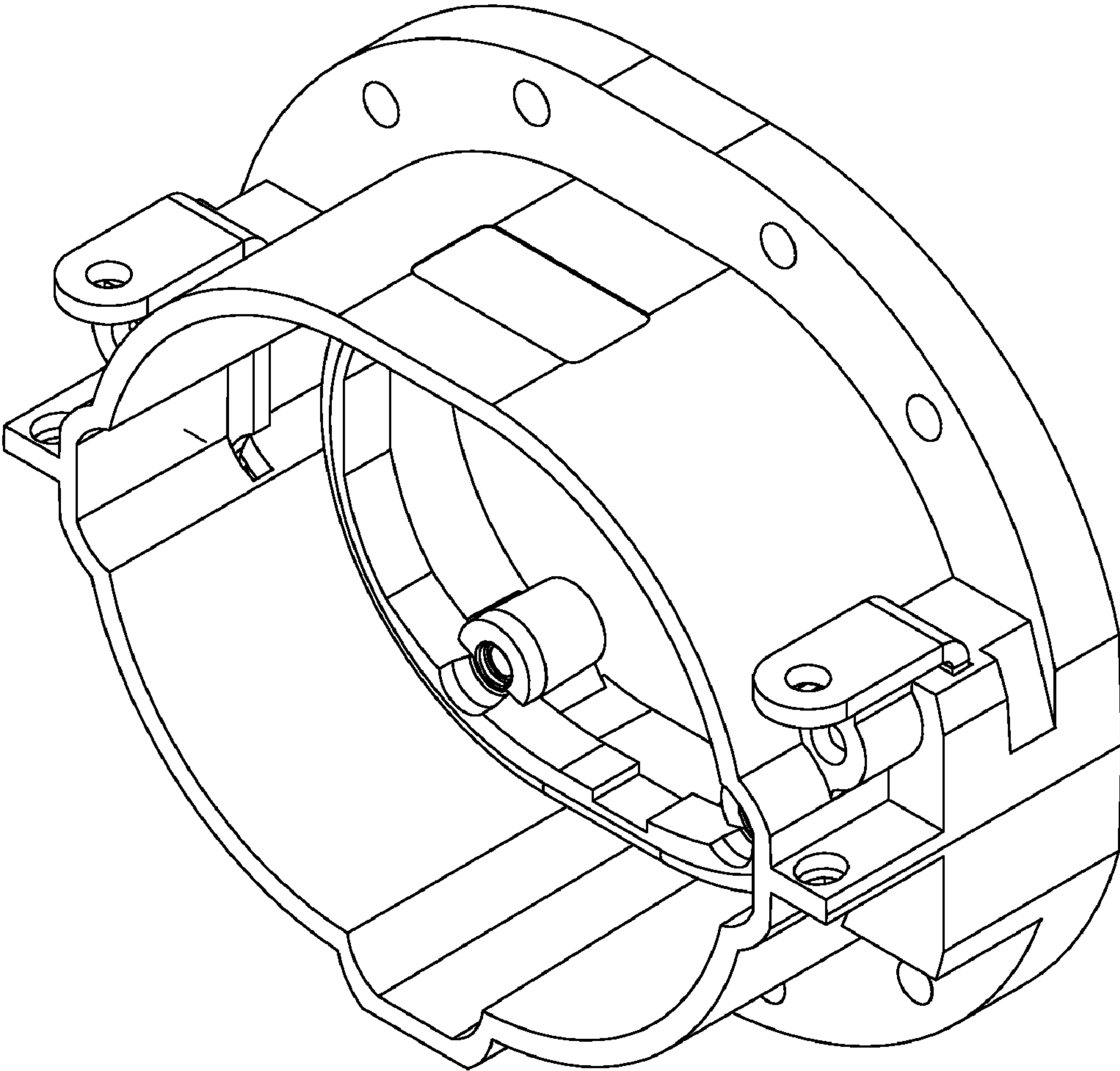


FIG. 7

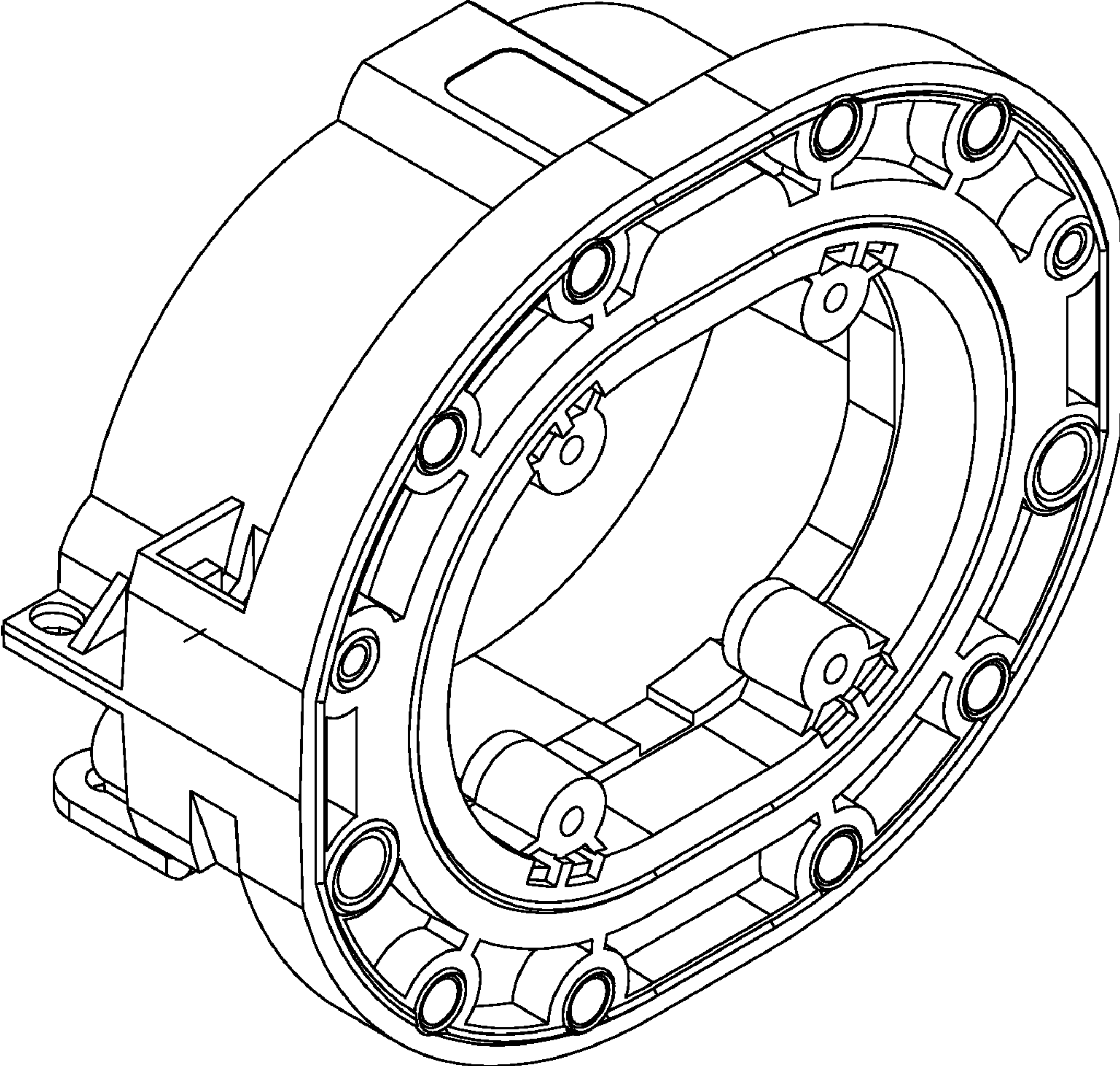


FIG. 8