



US00D636729S

(12) **United States Design Patent**
Yang

(10) **Patent No.:** **US D636,729 S**

(45) **Date of Patent:** **** Apr. 26, 2011**

(54) **USB CONNECTOR**

(75) Inventor: **Fu-I Yang**, Taoyuan County (TW)

(73) Assignee: **Samya Technology Co., Ltd.**, Taoyuan County (TW)

(**) Term: **14 Years**

(21) Appl. No.: **29/362,470**

(22) Filed: **May 26, 2010**

(51) **LOC (9) Cl.** **13-03**

(52) **U.S. Cl.** **D13/147**

(58) **Field of Classification Search** D13/147,
D13/154, 184; 439/108, 476.1, 483, 527,
439/533, 607.01, 607.04, 607.05, 607.17,
439/607.25, 607.34, 607.41, 607.53, 892,
439/894

See application file for complete search history.

(56) **References Cited**

U.S. PATENT DOCUMENTS

5,993,258 A * 11/1999 Matsunuma et al. 439/607.04
6,416,359 B1 * 7/2002 Zhang et al. 439/607.37

D465,767 S * 11/2002 Zhu et al. D13/147
D508,679 S * 8/2005 Li et al. D13/147
D522,968 S * 6/2006 Hu et al. D13/147
D522,971 S * 6/2006 Shang-Yen et al. D13/147
D537,786 S * 3/2007 Li D13/147
D592,145 S * 5/2009 Sun D13/147

* cited by examiner

Primary Examiner — Daniel D Bui

(74) *Attorney, Agent, or Firm* — Rosenberg, Klein & Lee

(57) **CLAIM**

The ornamental design for a USB connector, as show and described.

DESCRIPTION

FIG. 1 is a right perspective view of a USB connector showing my new design;

FIG. 2 is a front elevational view thereof;

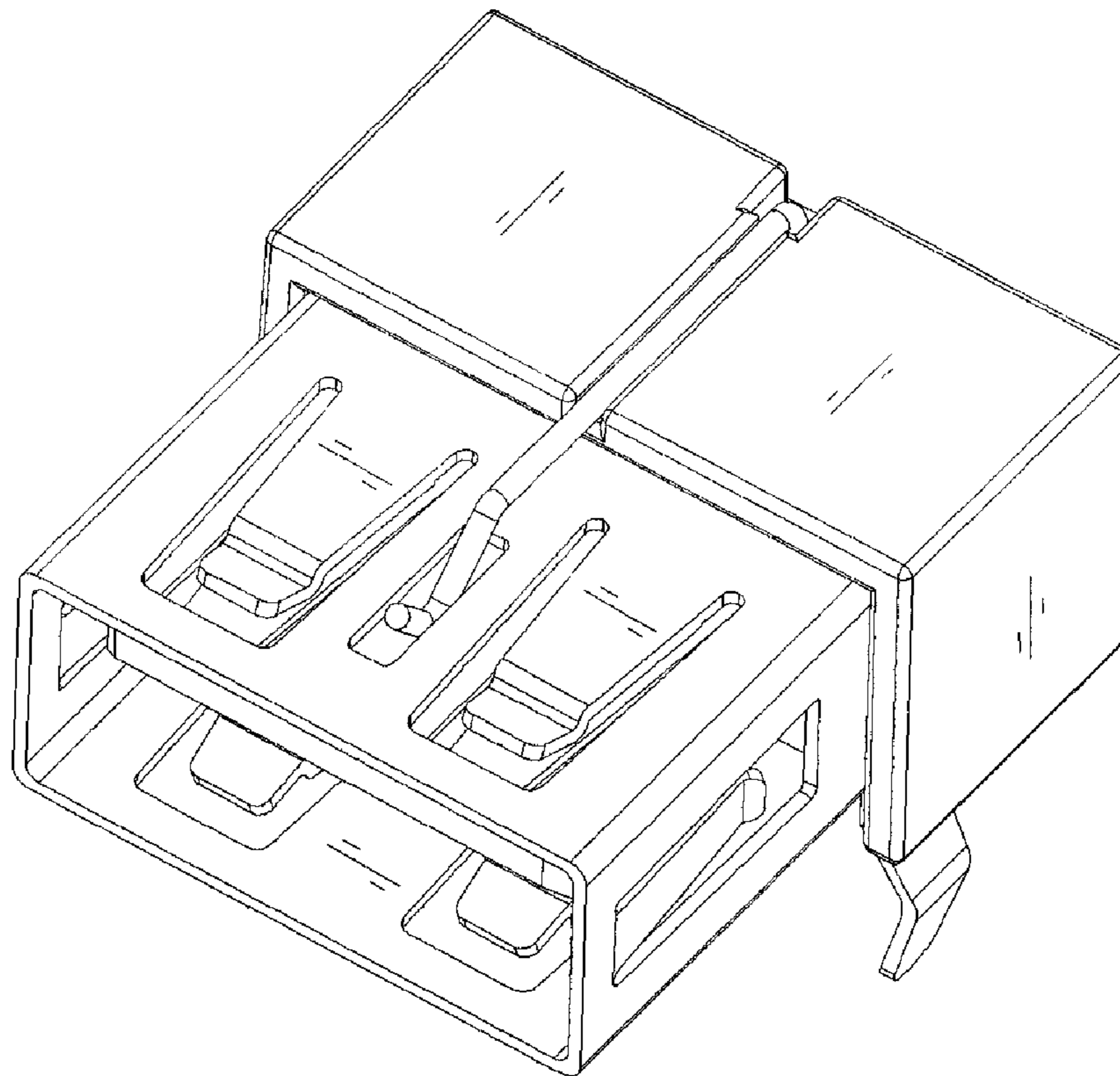
FIG. 3 is a rear elevational view thereof;

FIG. 4 is a right side elevational view thereof; the left side being a mirror image;

FIG. 5 is a top plan view thereof; and,

FIG. 6 is a bottom plan view thereof.

1 Claim, 4 Drawing Sheets



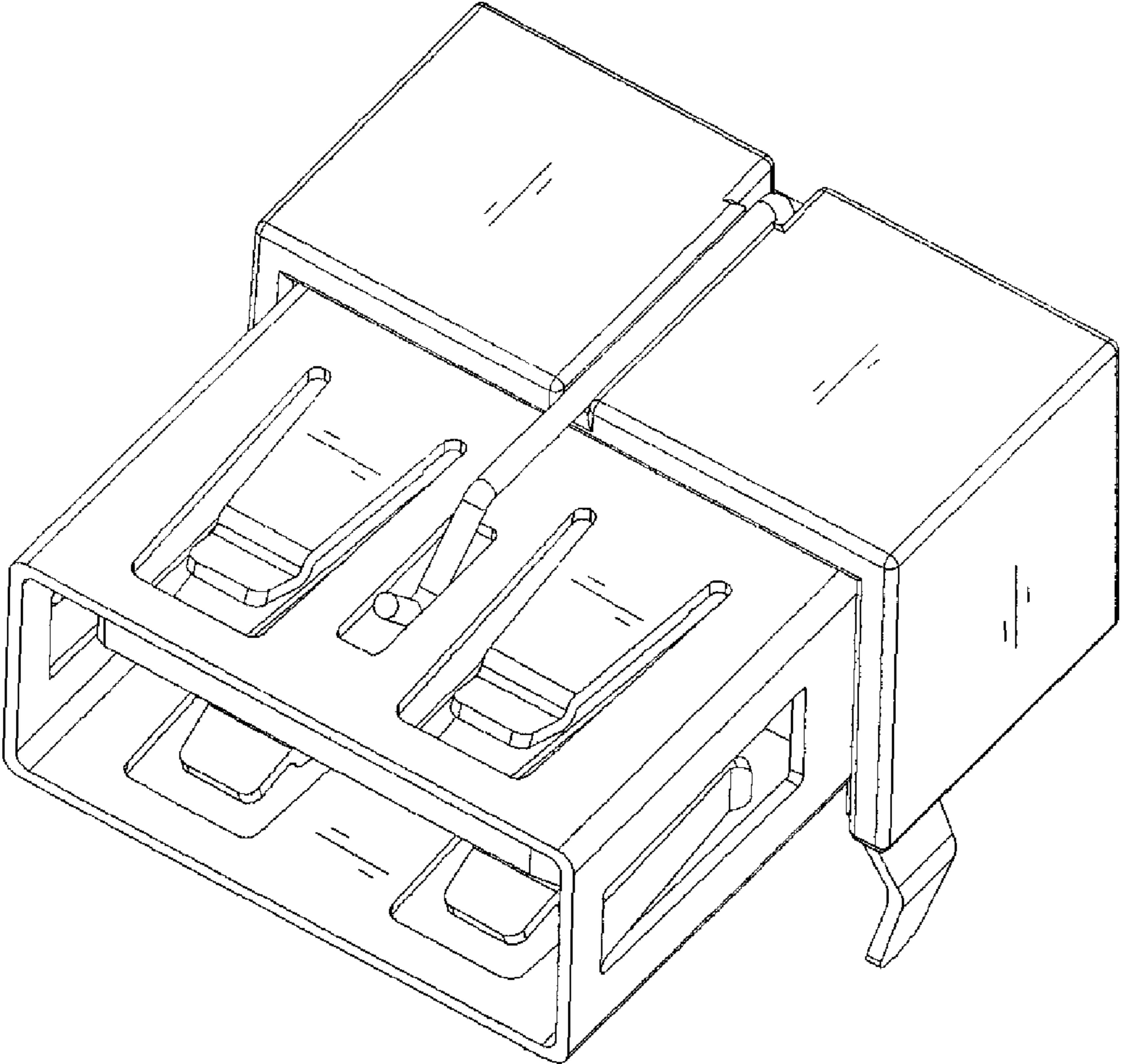


FIG.1

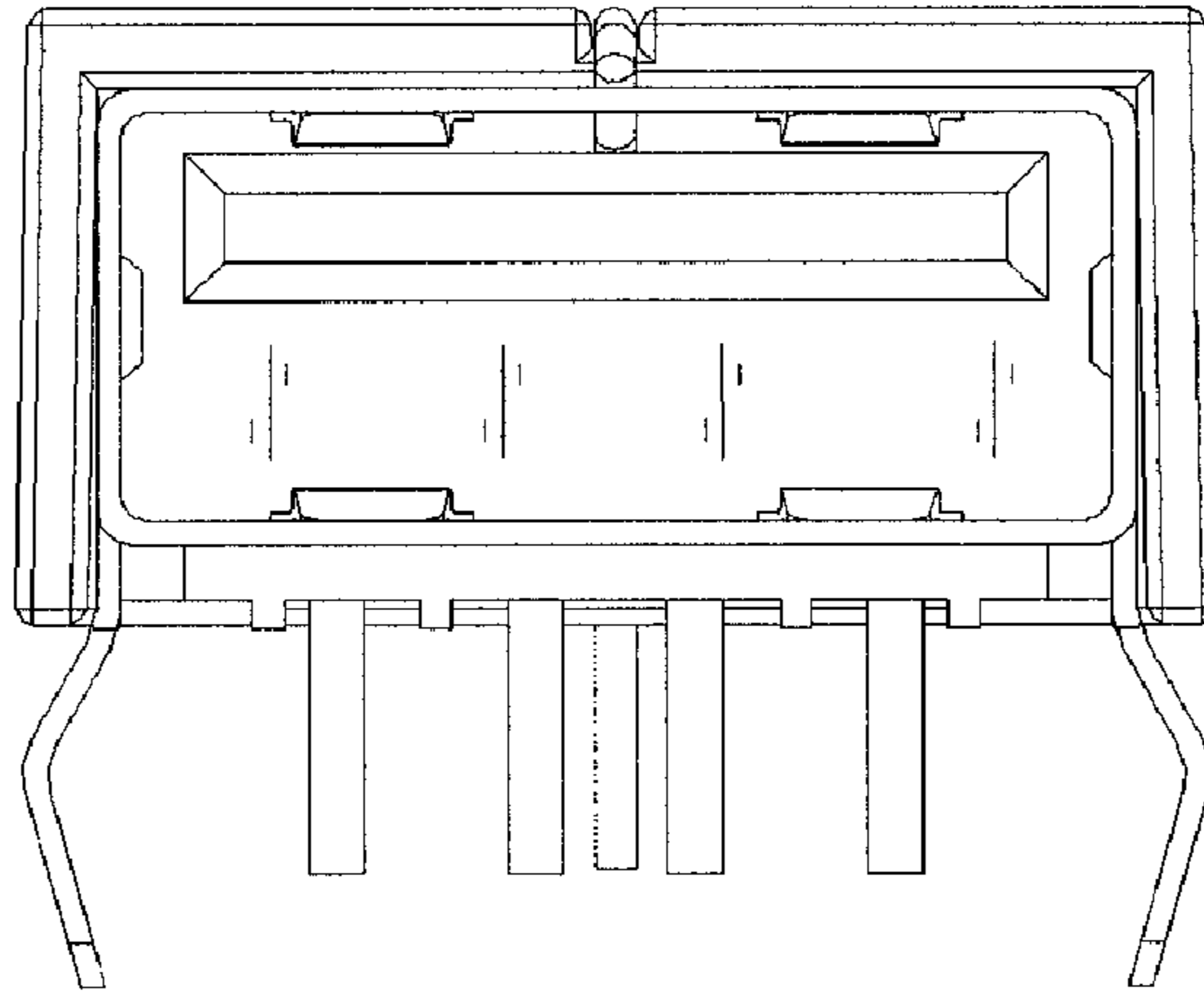


FIG.2

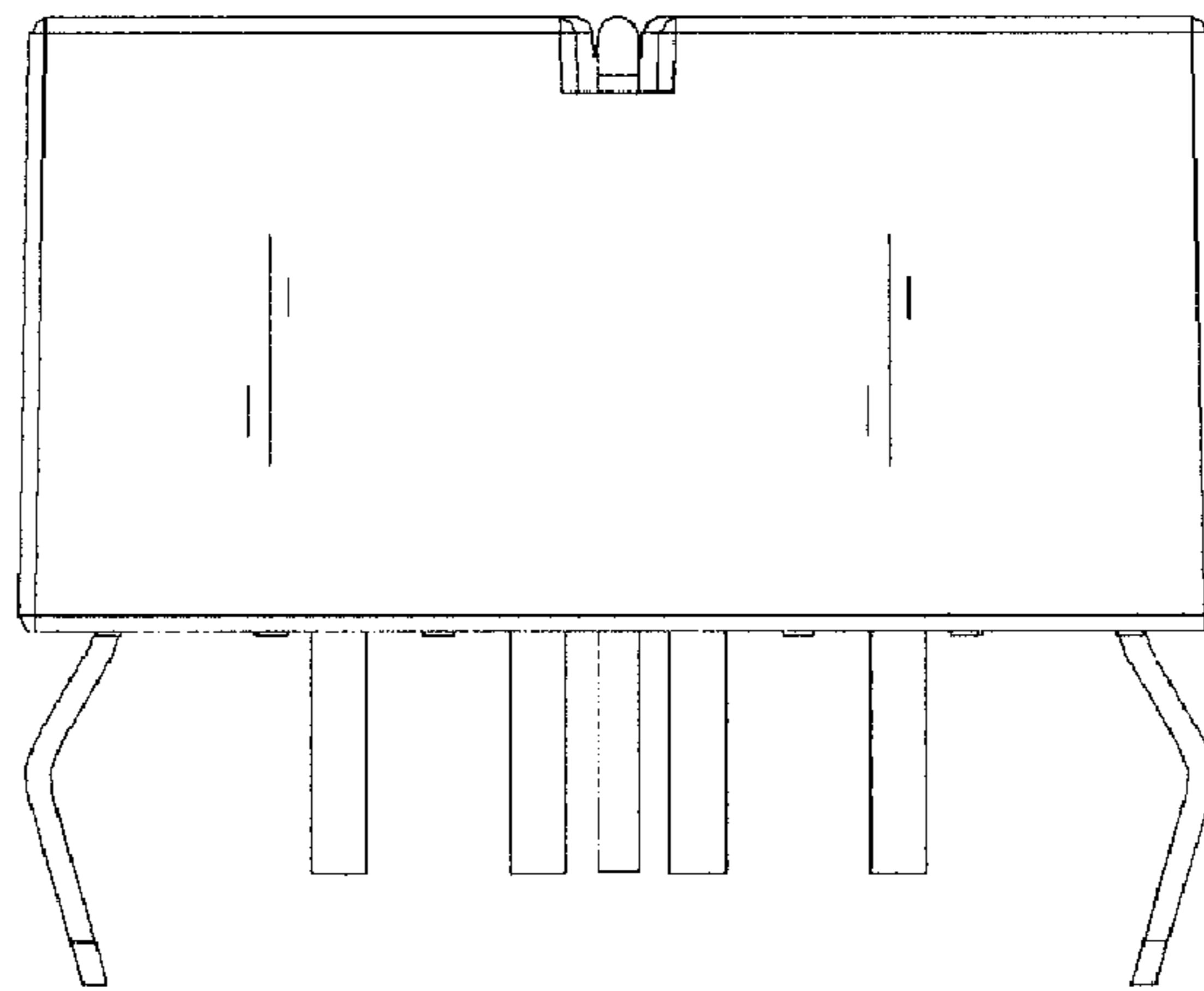


FIG.3

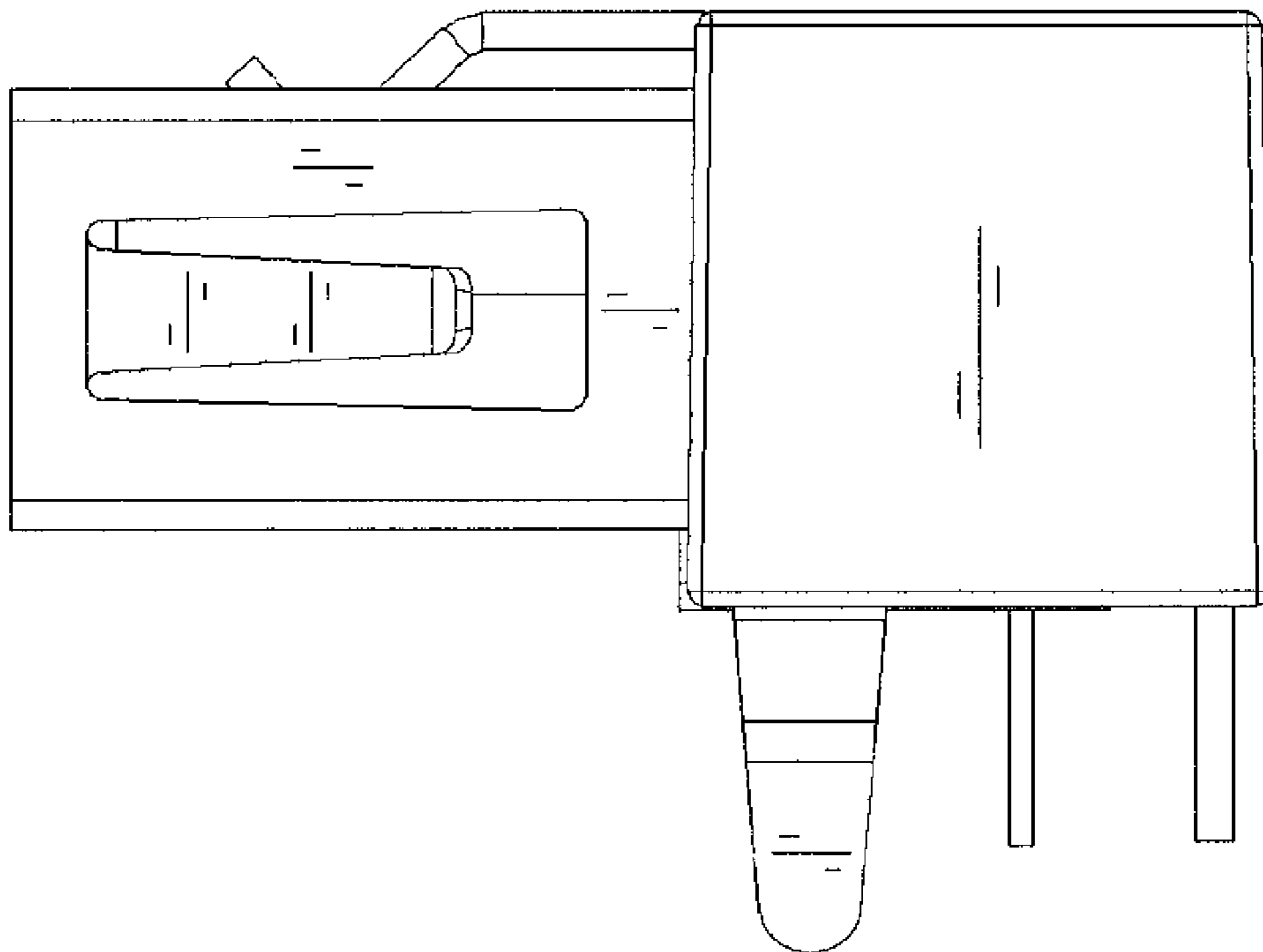


FIG.4

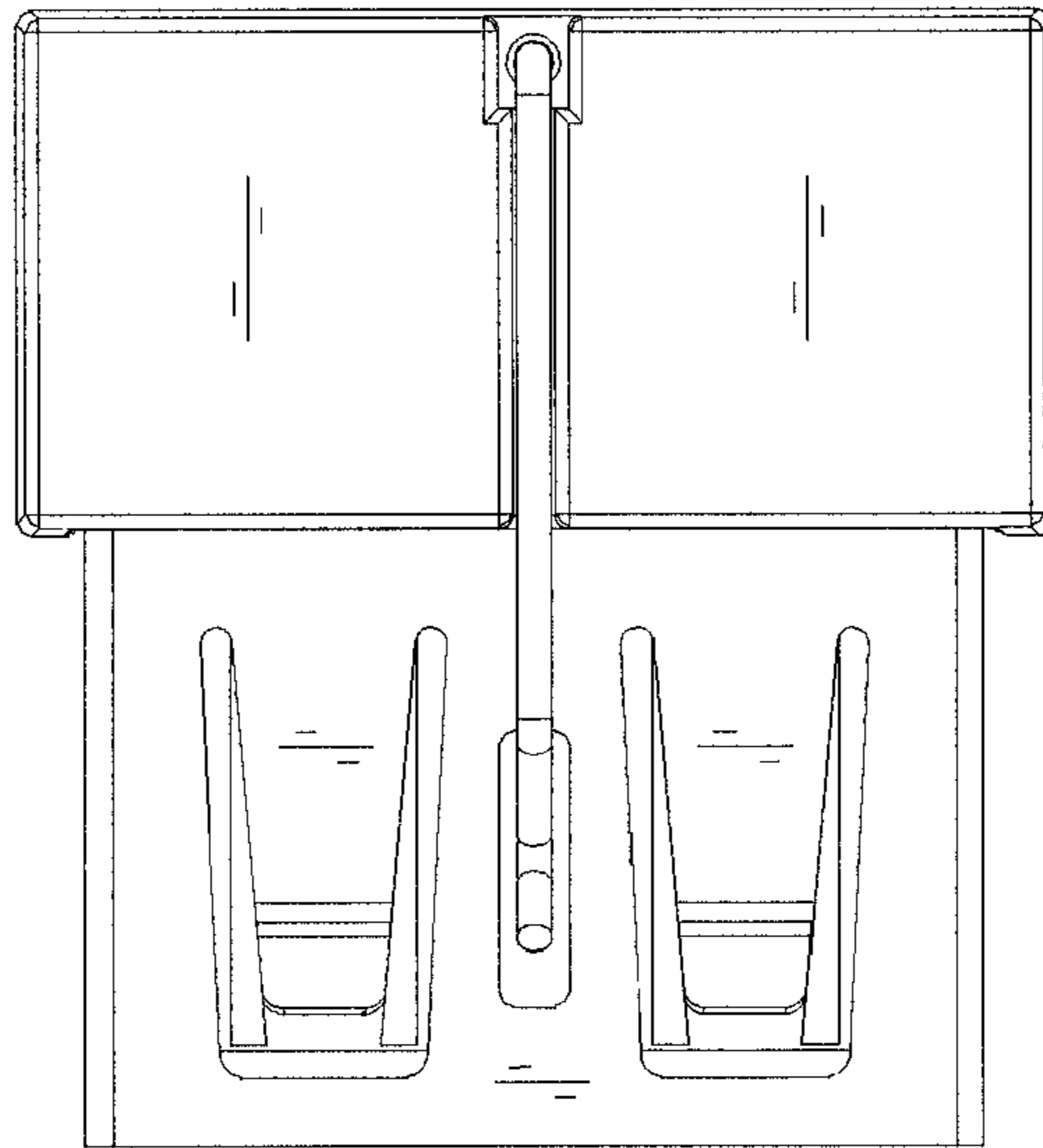


FIG. 5

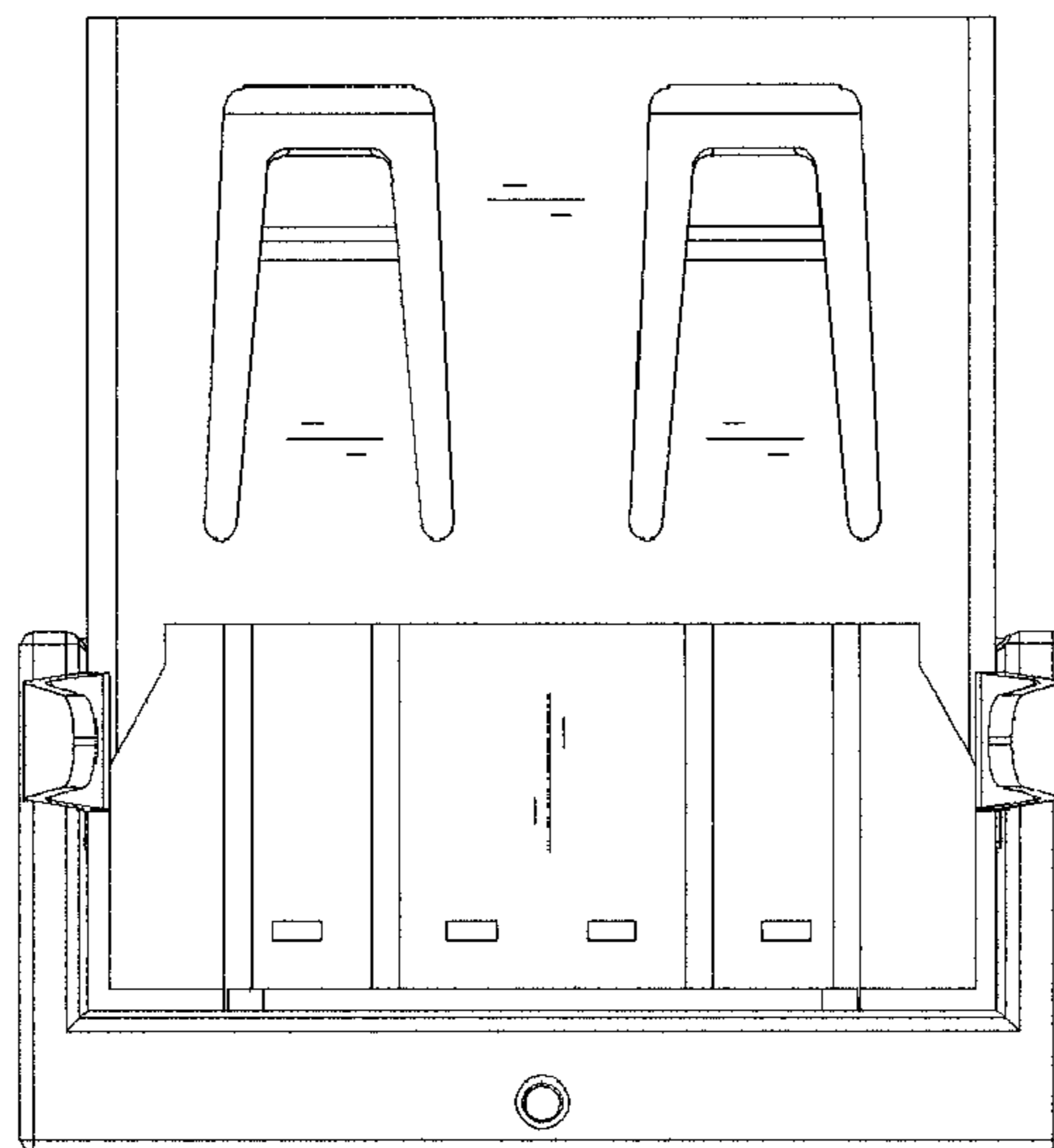


FIG. 6