



US00D636728S

(12) **United States Design Patent**  
**Terleski et al.**

(10) **Patent No.:** **US D636,728 S**  
(45) **Date of Patent:** **\*\* Apr. 26, 2011**

- (54) **POWER CONNECTION PANEL**
- (75) Inventors: **Timothy W. Terleski**, Richardson, TX (US); **Staci A. Mininger**, Garland, TX (US)
- (73) Assignee: **TXS Industrial Design, Inc.**, Richardson, TX (US)
- (\*\*) Term: **14 Years**
- (21) Appl. No.: **29/361,042**
- (22) Filed: **May 4, 2010**
- (51) **LOC (9) Cl.** ..... **13-03**
- (52) **U.S. Cl.** ..... **D13/139.4**
- (58) **Field of Classification Search** ..... D13/138.1, D13/138.2, 139.1, 139.2, 139.3, 139.4, 139.5, D13/139.6, 139.7, 139.8, 137.1, 137.2, 137.3, D13/137.4, 133, 146, 147, 151, 152, 153, D13/154, 107, 108, 110, 162, 170; 363/15, 363/34, 146; 439/93, 105, 119, 149, 225, 439/521, 535, 583, 866, 919; D8/353; 174/493, 174/494, 53, 59, 60, 66, 67; 320/111, 114, 320/115  
See application file for complete search history.

- 6,200,159 B1 \* 3/2001 Chou ..... 439/535
- D475,683 S \* 6/2003 Gershfeld ..... D13/139.4
- D514,518 S \* 2/2006 Strayer ..... D13/139.4
- D534,495 S \* 1/2007 Gershfeld ..... D13/139.4
- D535,257 S \* 1/2007 Byrne ..... D13/139.4
- D549,653 S \* 8/2007 Kent et al. .... D13/139.6
- 2002/0185295 A1 \* 12/2002 Metcalf ..... 174/53
- 2005/0088866 A1 \* 4/2005 Levine ..... 363/146

\* cited by examiner

*Primary Examiner* — Angela J Lee

(57) **CLAIM**

The ornamental design for a power connection panel, as shown and described.

**DESCRIPTION**

FIG. 1 is an orthogonal view from a front, right side, illustrating a power connection panel in accordance with the present invention;

FIG. 2 is a front view of the power connection panel of FIG. 1;

FIG. 3 is a back view of the power connection panel of FIG. 1;

FIG. 4 is a right side view of the power connection panel of FIG. 1;

FIG. 5 is a left side view of the power connection panel of FIG. 1;

FIG. 6 is a top view of the power connection panel of FIG. 1; and,

FIG. 7 is a bottom view of the power connection panel of FIG. 1.

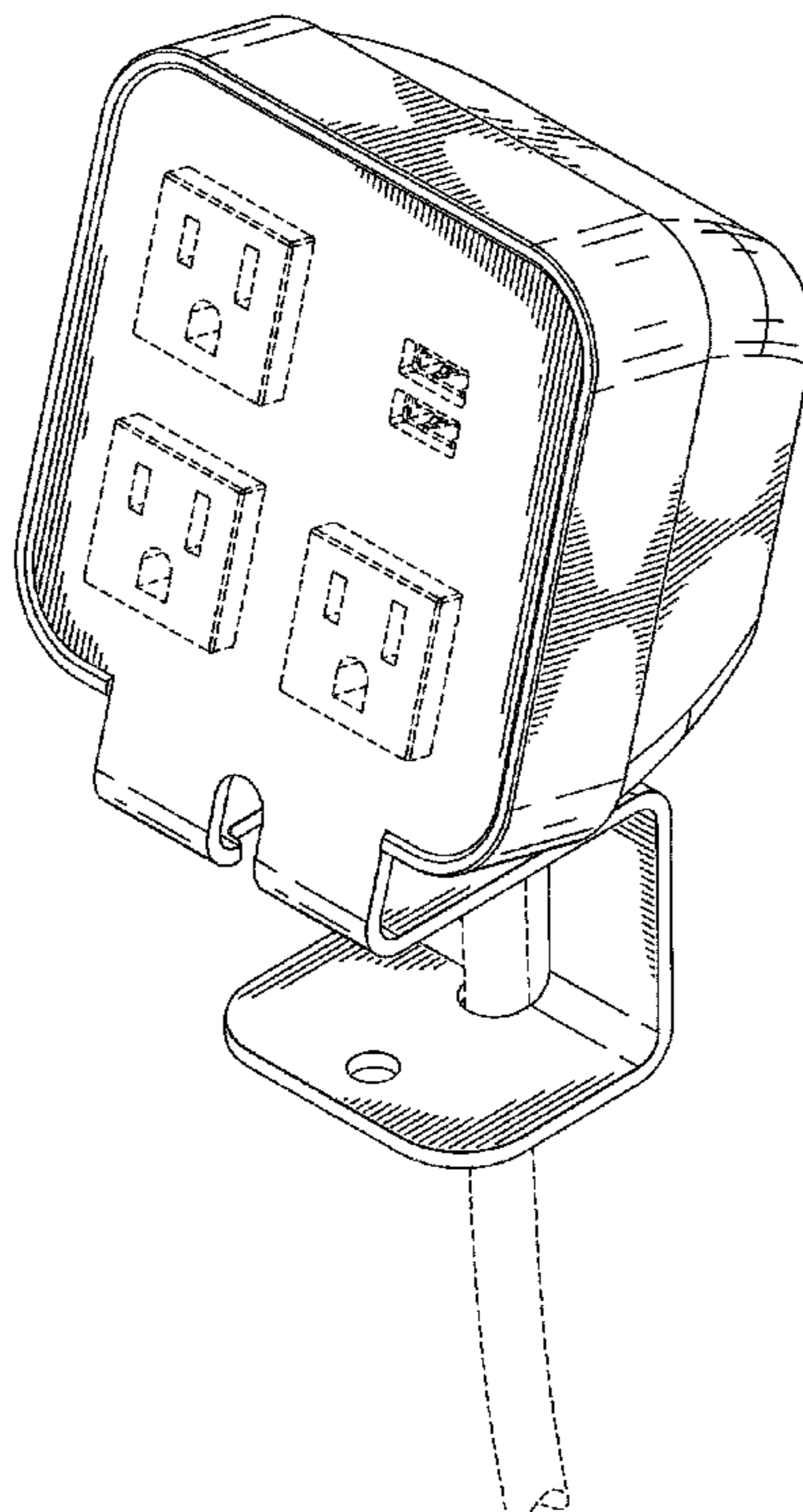
The portions of the power connection panel shown in broken lines form no part of the claimed design.

(56) **References Cited**

**U.S. PATENT DOCUMENTS**

- D279,285 S \* 6/1985 Schwartz ..... D13/139.8
- D367,643 S \* 3/1996 Vardell ..... D13/139.7
- D389,459 S \* 1/1998 Byrne ..... D13/139.5
- D413,571 S \* 9/1999 Glass ..... D13/139.4
- 6,004,157 A \* 12/1999 Glass ..... 439/574

**1 Claim, 6 Drawing Sheets**



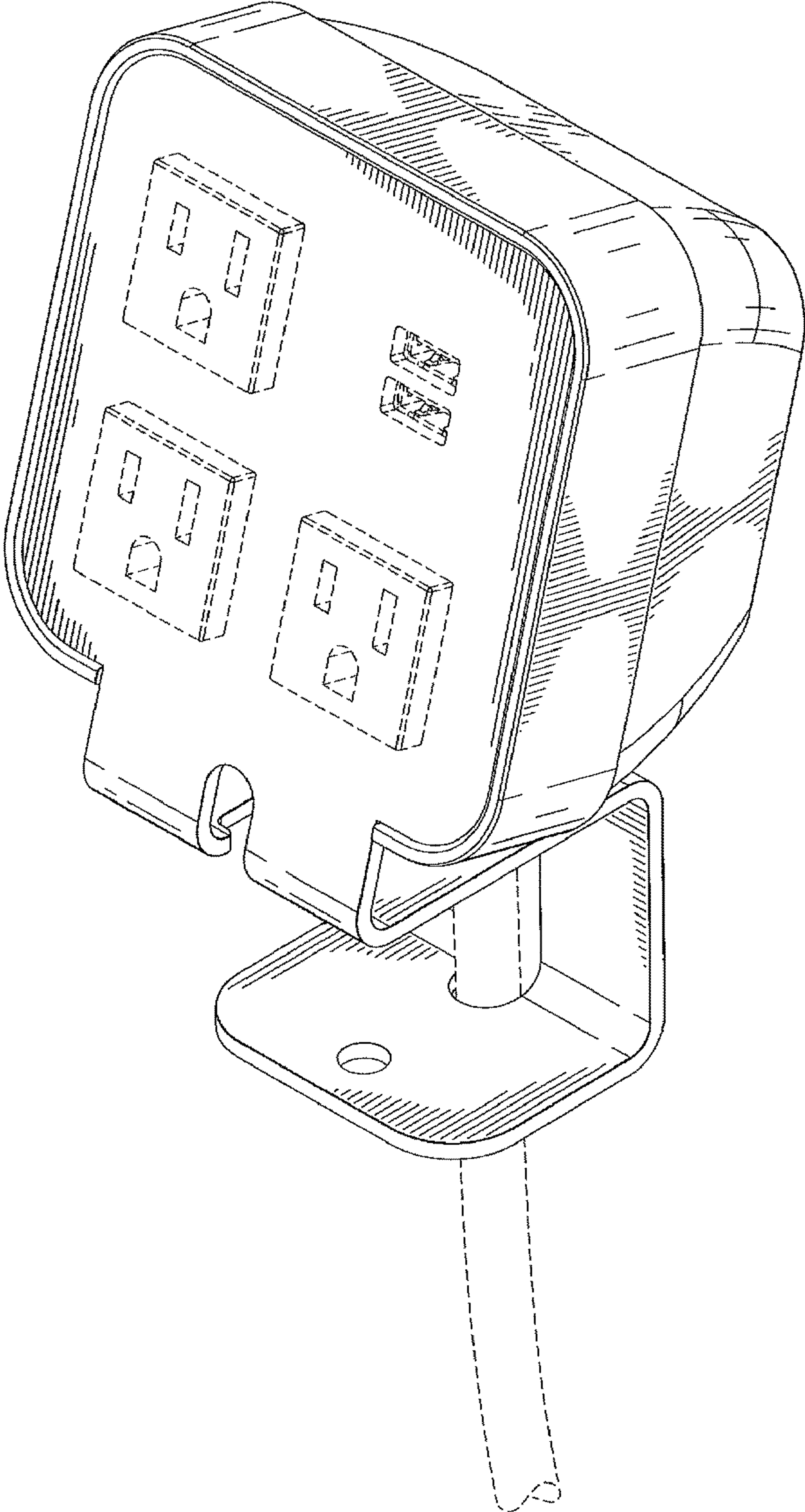


FIG. 1

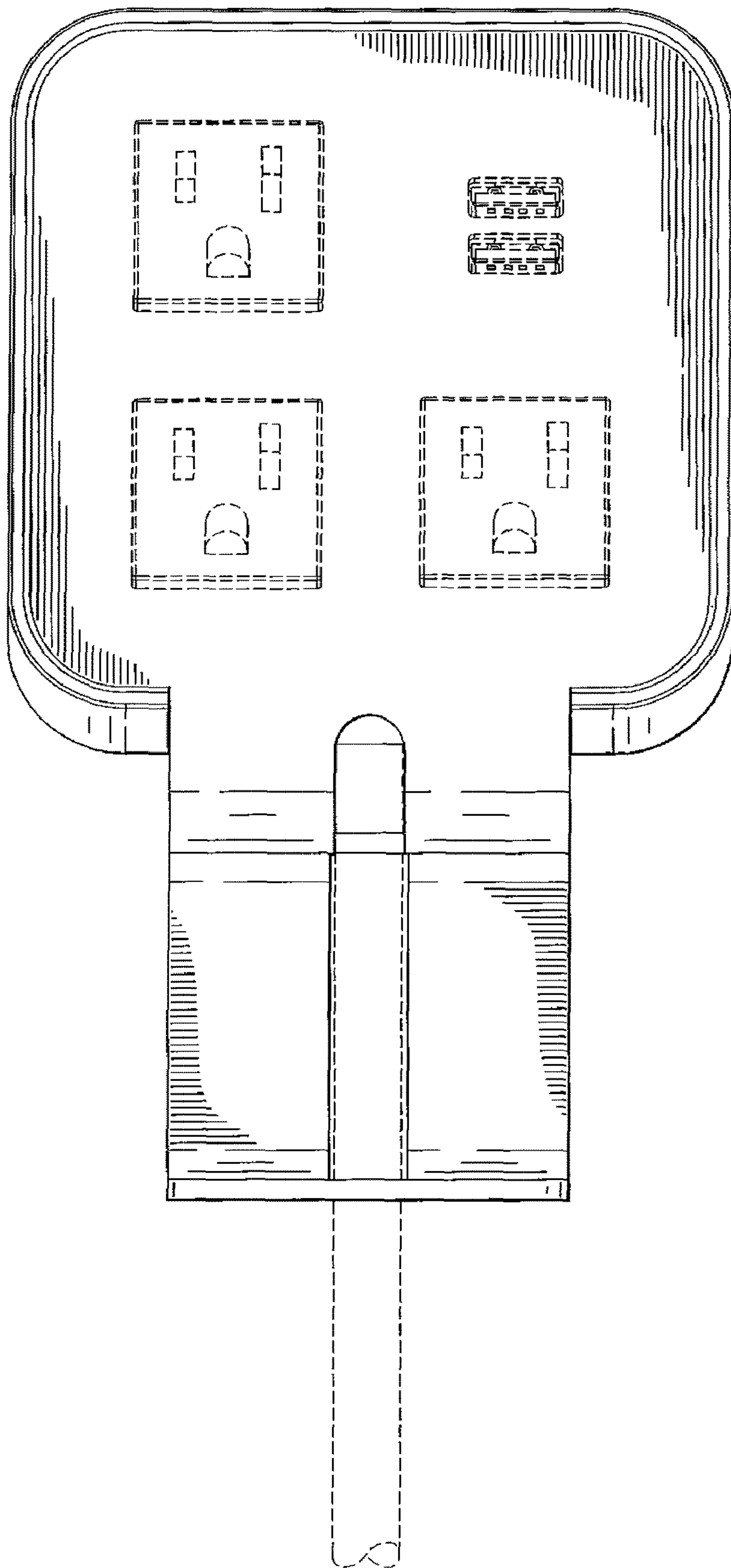


FIG. 2

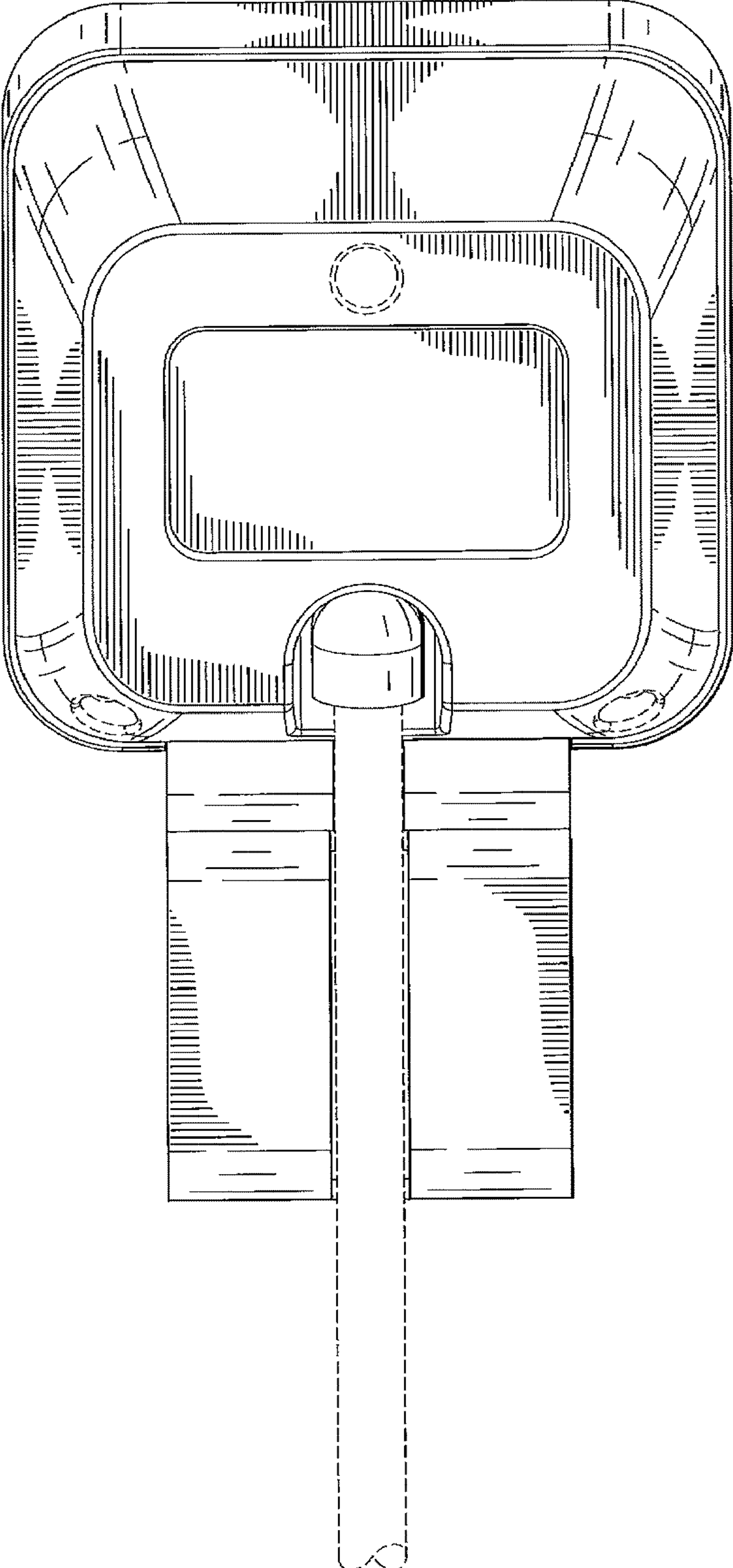


FIG. 3

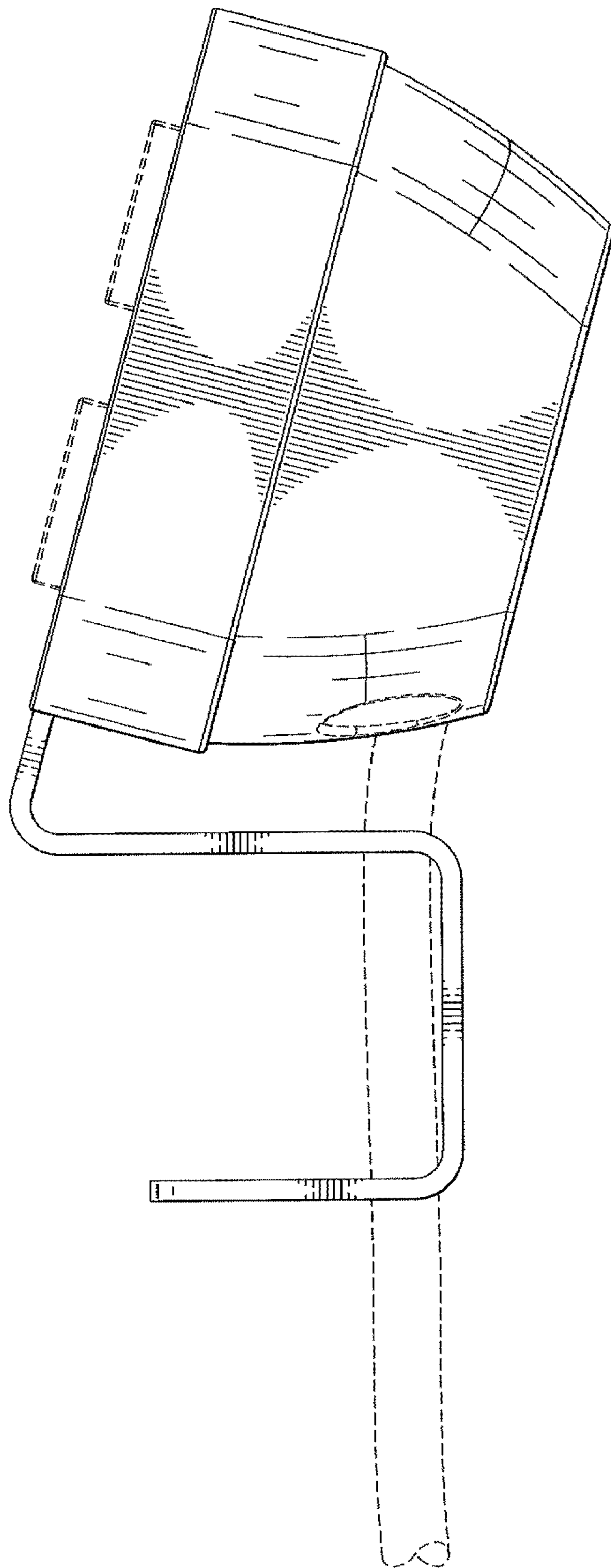


FIG. 4

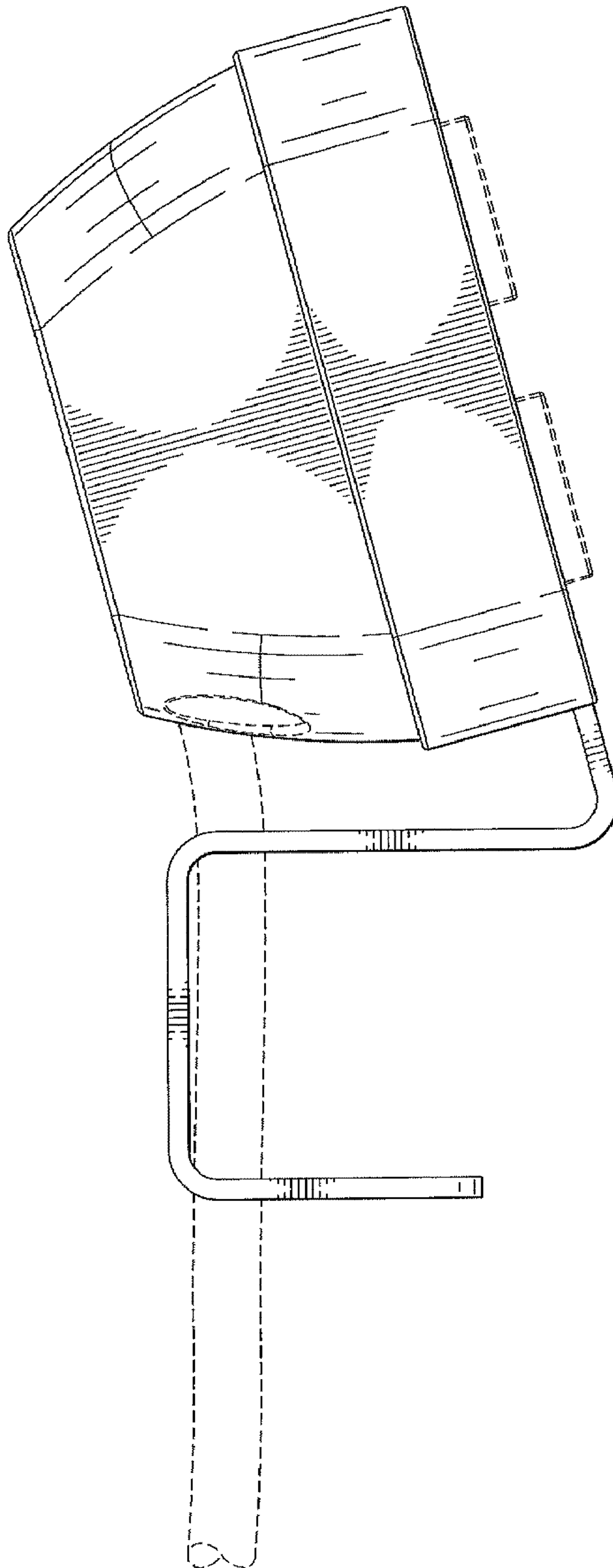


FIG. 5

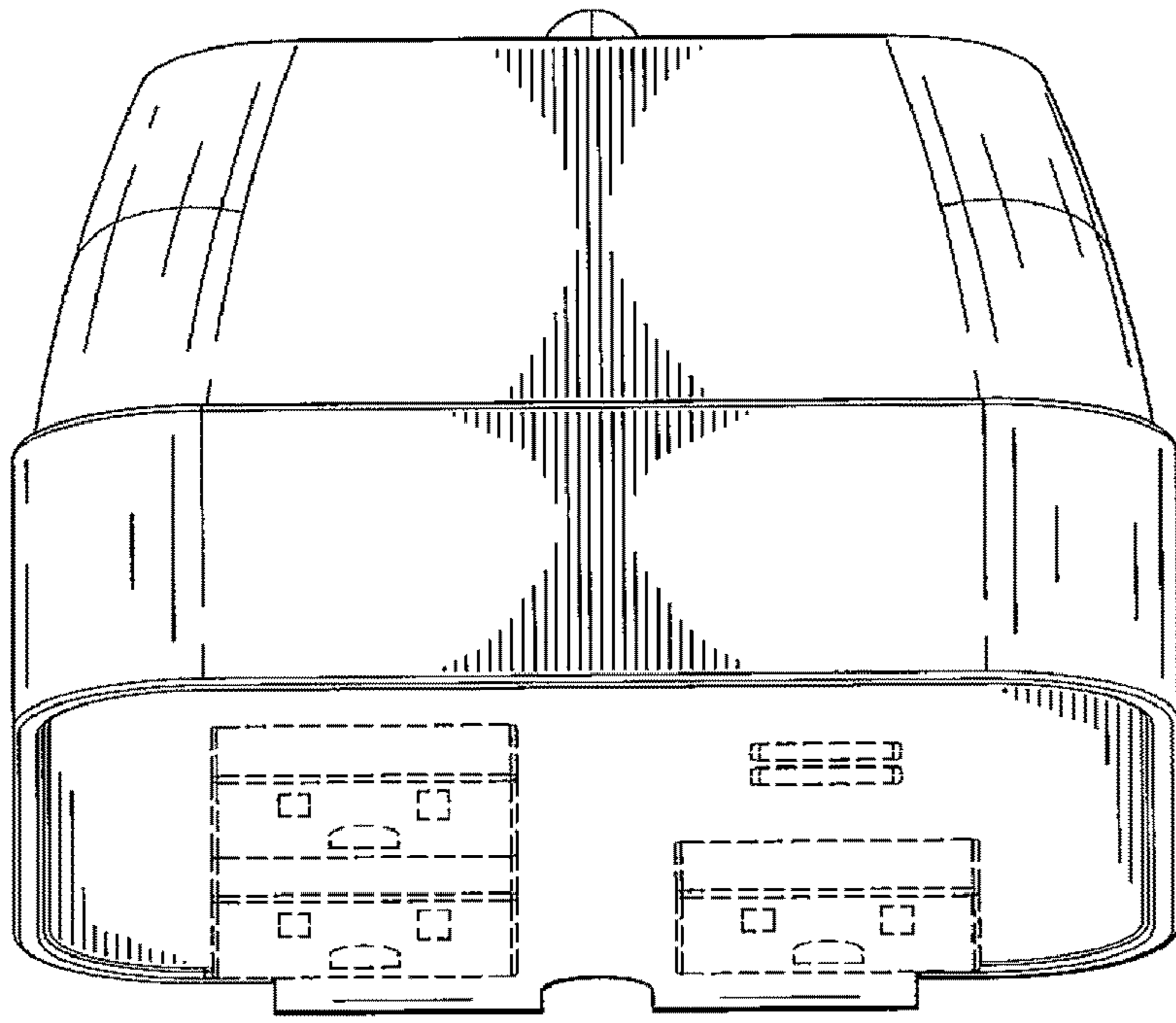


FIG. 6

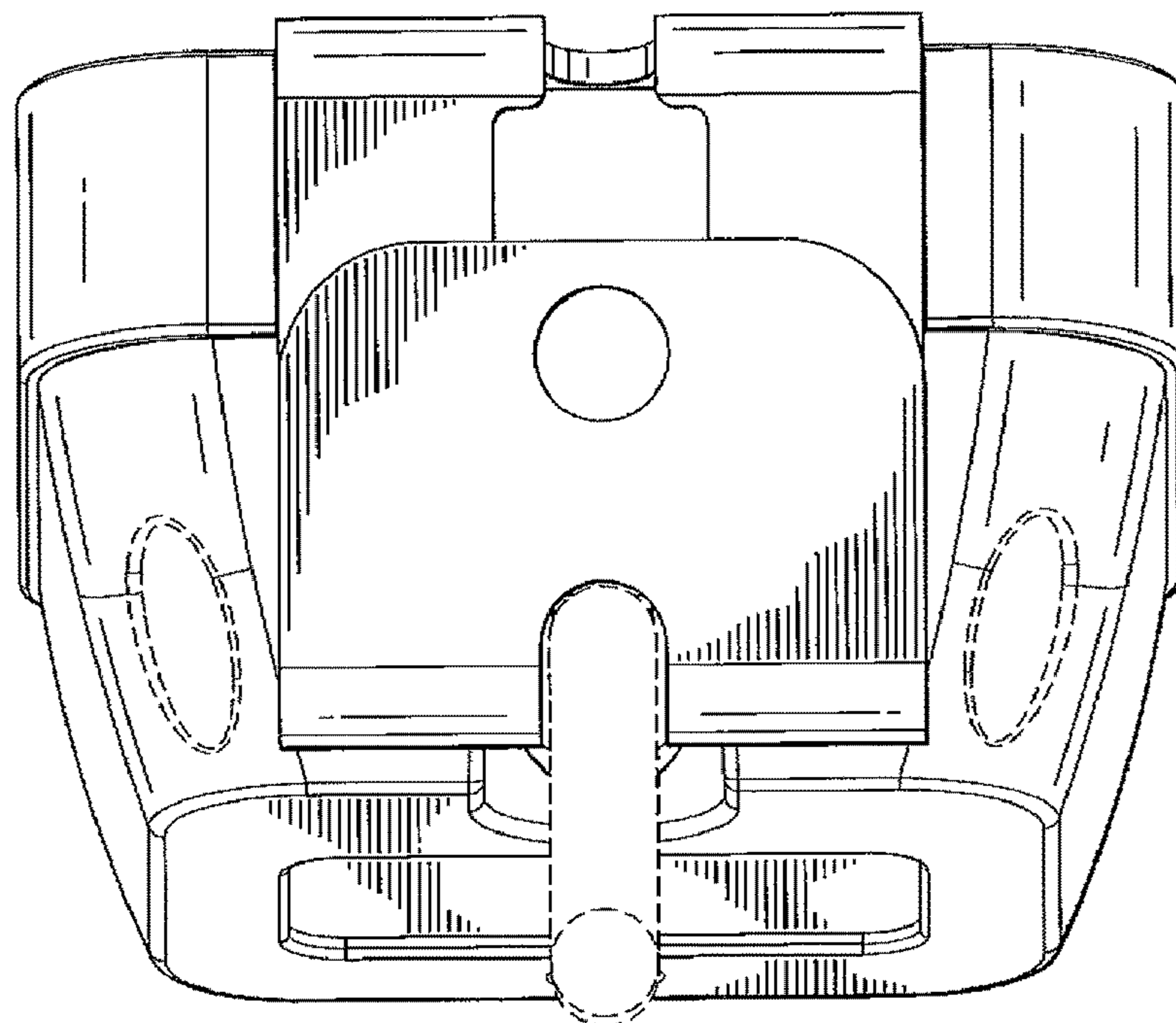


FIG. 7