



US00D636724S

(12) **United States Design Patent**
Nomi et al.

(10) **Patent No.:** **US D636,724 S**

(45) **Date of Patent:** **** Apr. 26, 2011**

(54) **BATTERY CHARGER**

(75) Inventors: **Takuo Nomi**, Osaka (JP); **Shinji Oda**,
Osaka (JP)

(73) Assignee: **Sanyo Electric Co., Ltd.**, Osaka (JP)

(**) Term: **14 Years**

(21) Appl. No.: **29/347,919**

(22) Filed: **Aug. 2, 2010**

(30) **Foreign Application Priority Data**

Apr. 21, 2010 (JP) 2010-010017

(51) **LOC (9) Cl.** **13-02**

(52) **U.S. Cl.** **D13/108**

(58) **Field of Classification Search** D13/107-110,
D13/118-119, 184, 199; D14/251, 253,
D14/432, 434; 320/107-115
See application file for complete search history.

(56) **References Cited**

U.S. PATENT DOCUMENTS

D306,583 S * 3/1990 Krolopp et al. D14/137
D331,573 S * 12/1992 Iino D14/434
D393,451 S * 4/1998 Faranda et al. D14/434
D402,642 S * 12/1998 Faranda et al. D14/434
D411,206 S * 6/1999 Richter D14/253

D574,769 S * 8/2008 Fisher et al. D13/108
D578,961 S * 10/2008 Fisher et al. D13/108
7,495,414 B2 * 2/2009 Hui 320/108
7,518,337 B2 * 4/2009 Beart et al. 320/108
D611,898 S * 3/2010 Yang D13/108
D611,899 S * 3/2010 Yang D13/108
D611,900 S * 3/2010 Yang D13/108
D623,133 S * 9/2010 Nomi et al. D13/108
2009/0184679 A1 * 7/2009 Yeh 320/108

* cited by examiner

Primary Examiner — Rosemary K Tarcza

(74) *Attorney, Agent, or Firm* — Rabin & Berdo, PC

(57) **CLAIM**

The ornamental design for a battery charger, as shown and described.

DESCRIPTION

FIG. 1 is a perspective view of a battery charger showing our new design;
FIG. 2 is a front elevation view thereof;
FIG. 3 is a rear elevation view thereof;
FIG. 4 is a top plan view thereof;
FIG. 5 is a bottom plan view thereof;
FIG. 6 is a right side view thereof, the left side view thereof being a mirror image; and,
FIG. 7 is a referential view showing a usage state.

The broken lines shown in the drawings are for illustrative purposes only and form no part of the claimed design.

1 Claim, 5 Drawing Sheets

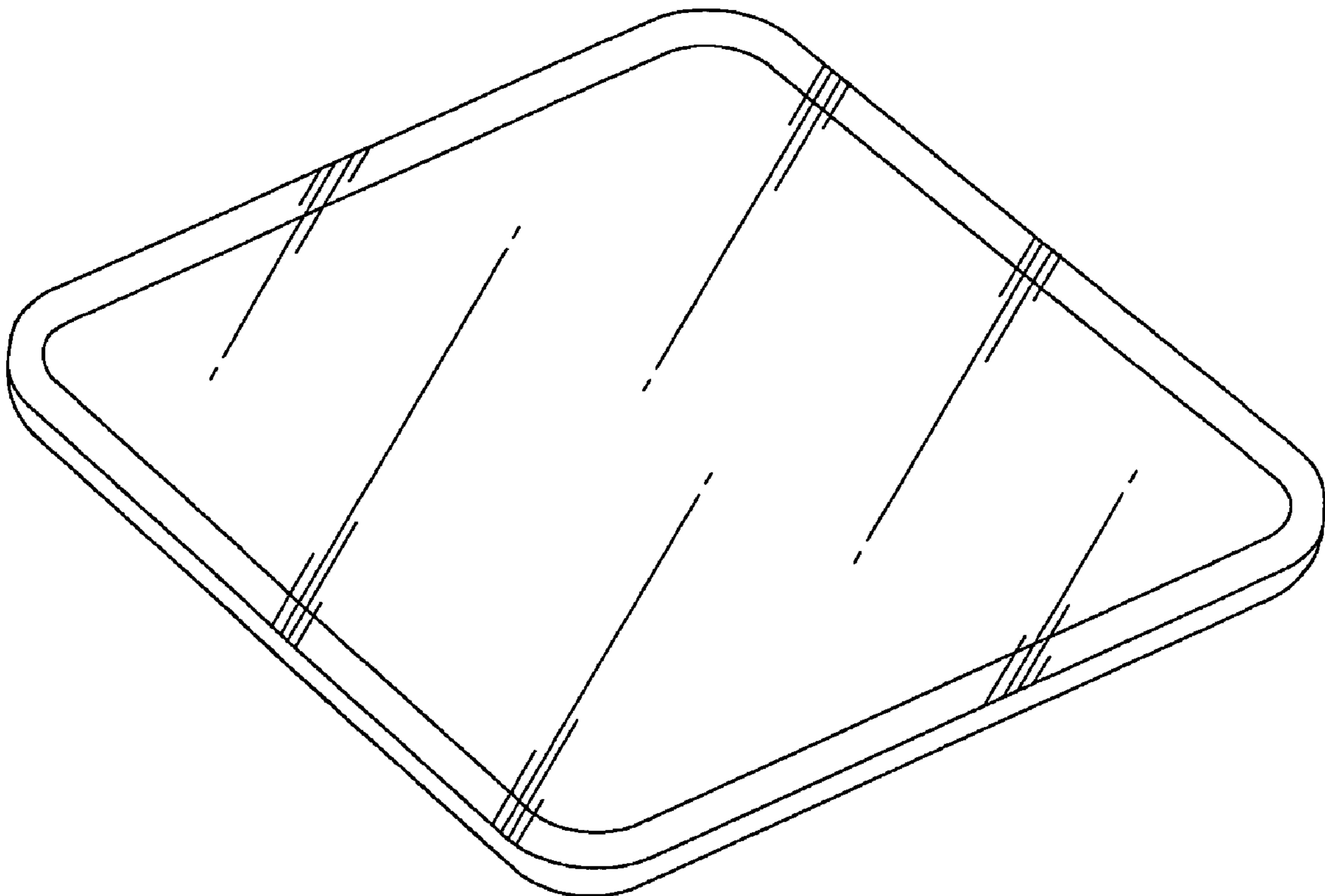


FIG. 1

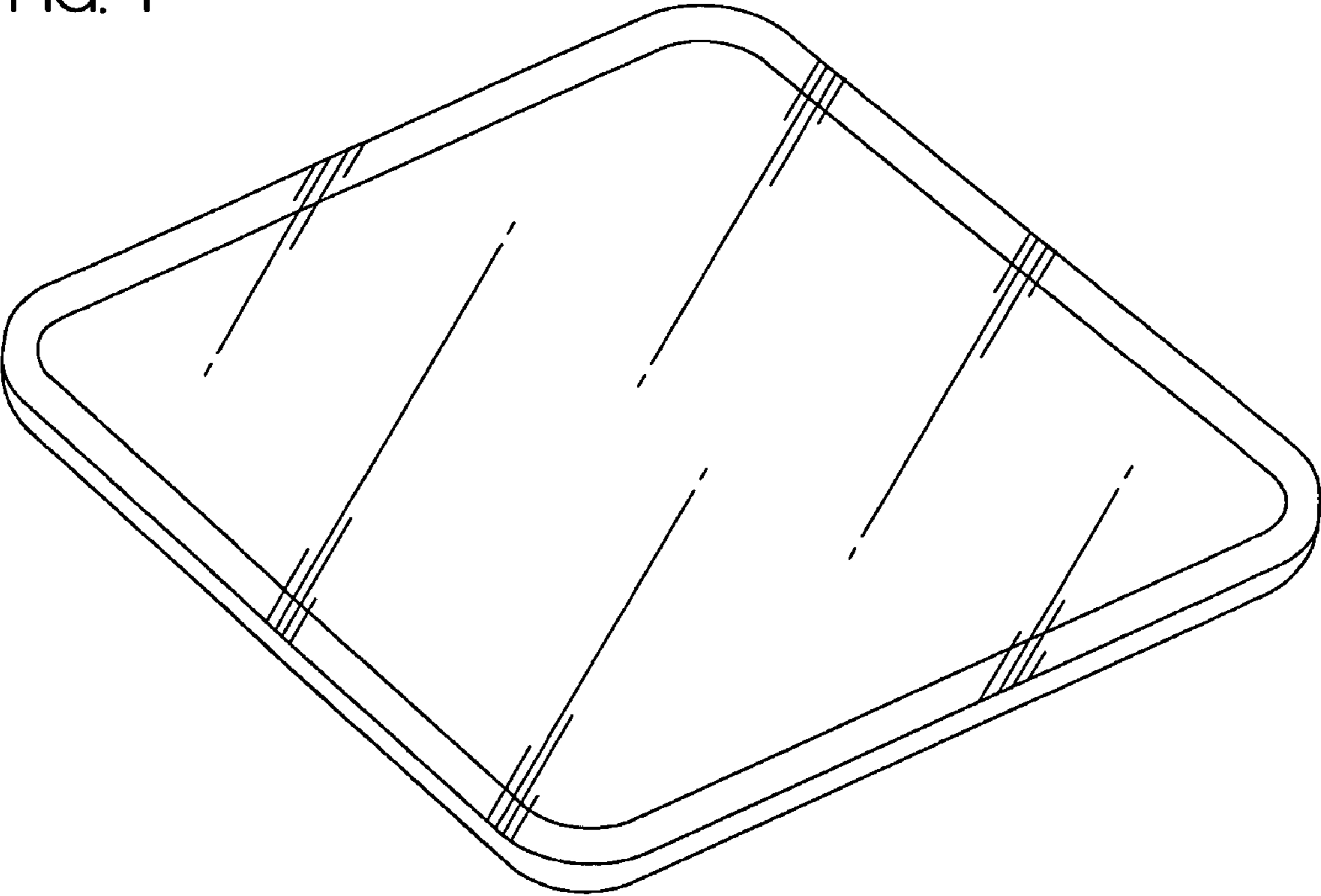


FIG. 2

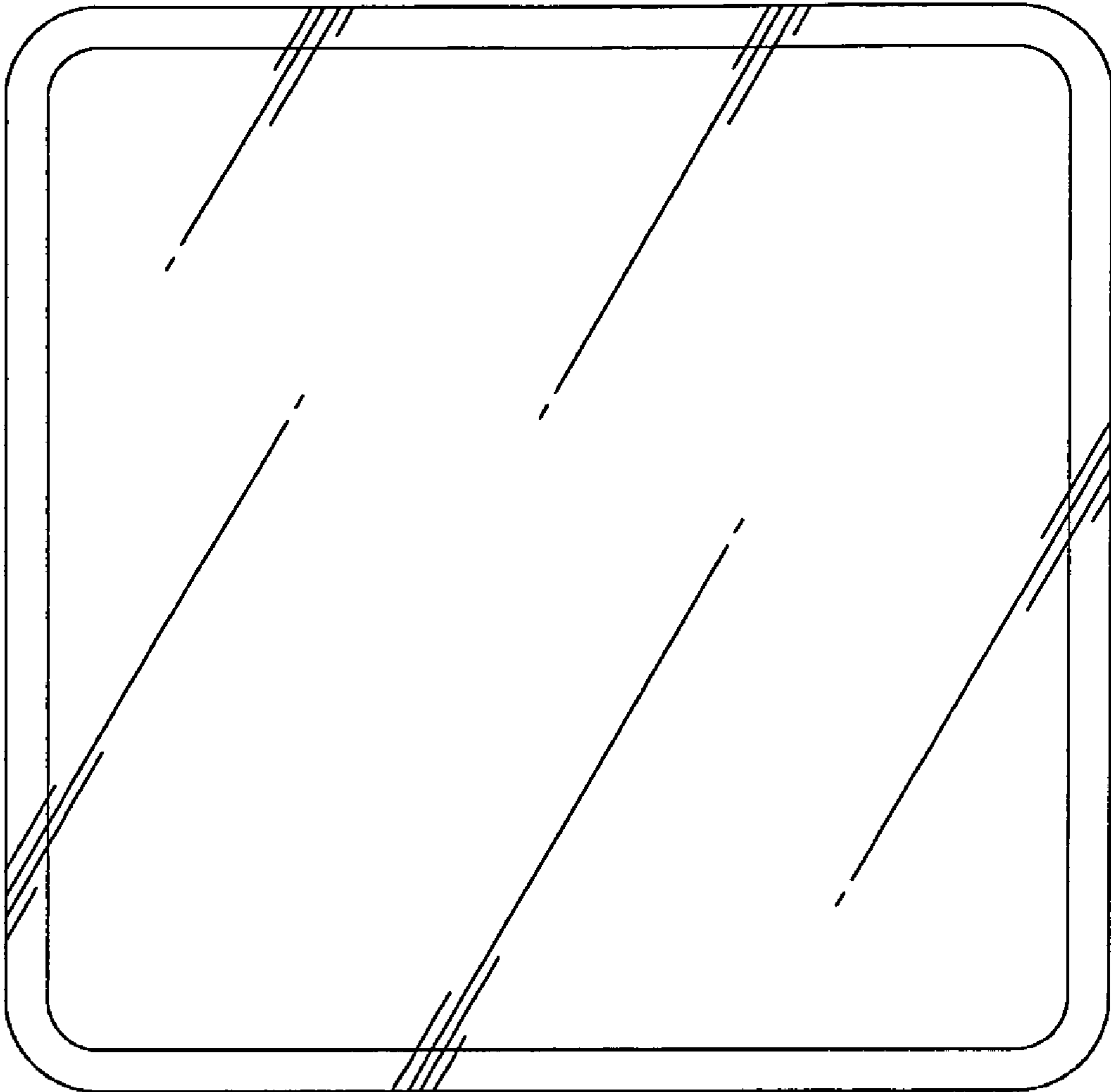


FIG. 3

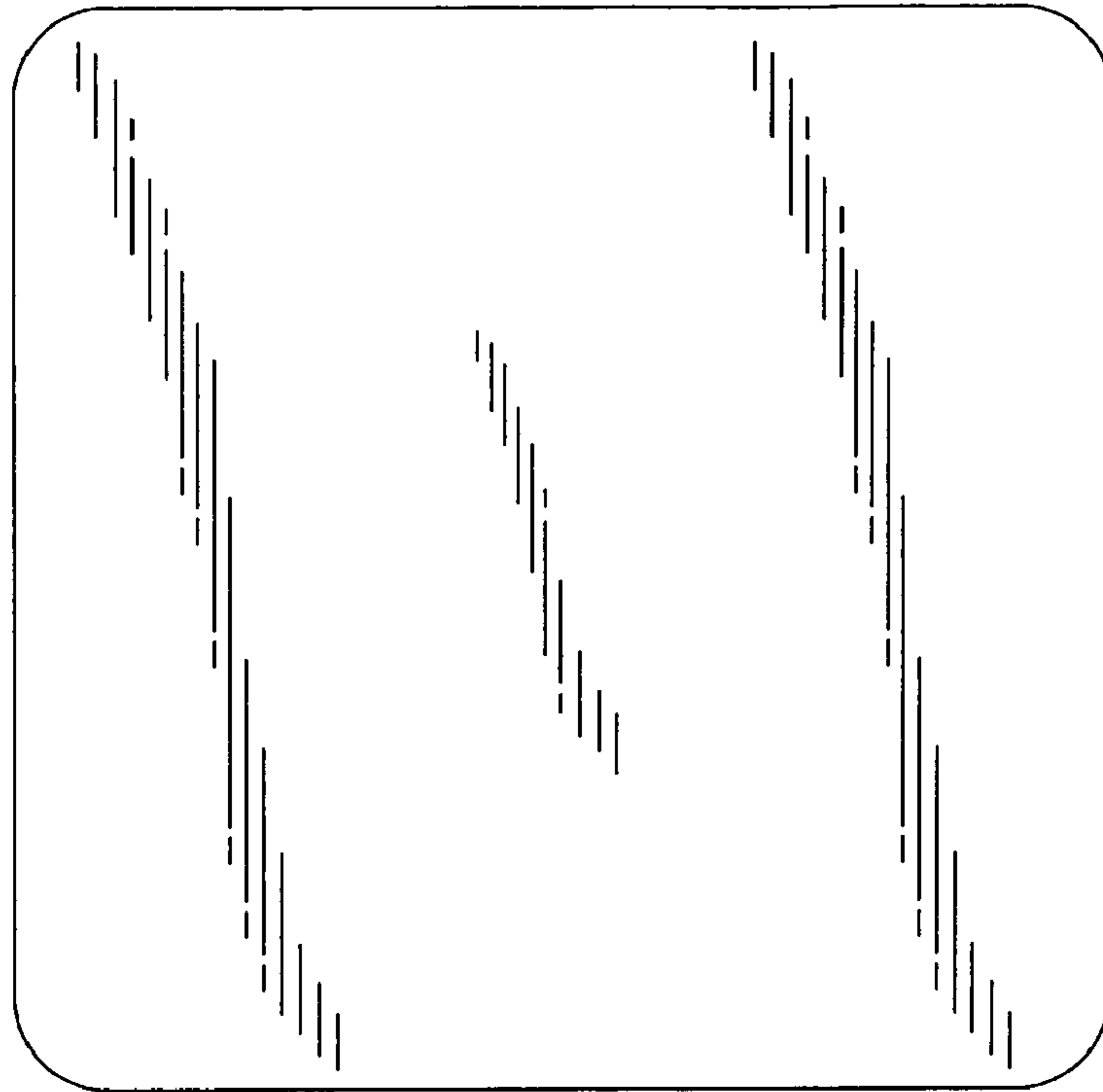


FIG. 4

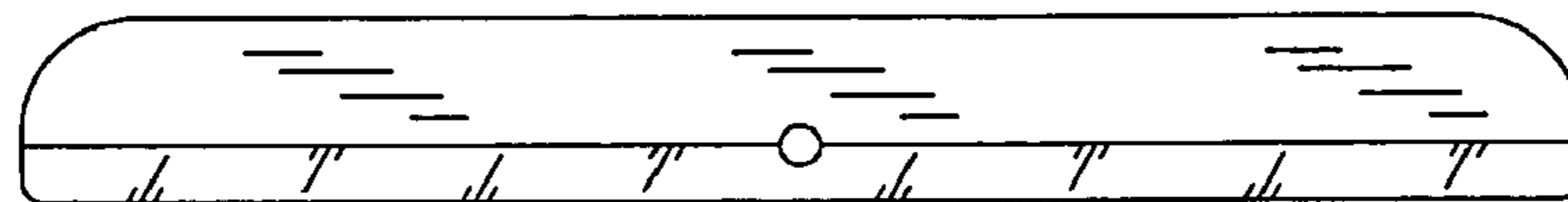


FIG. 5

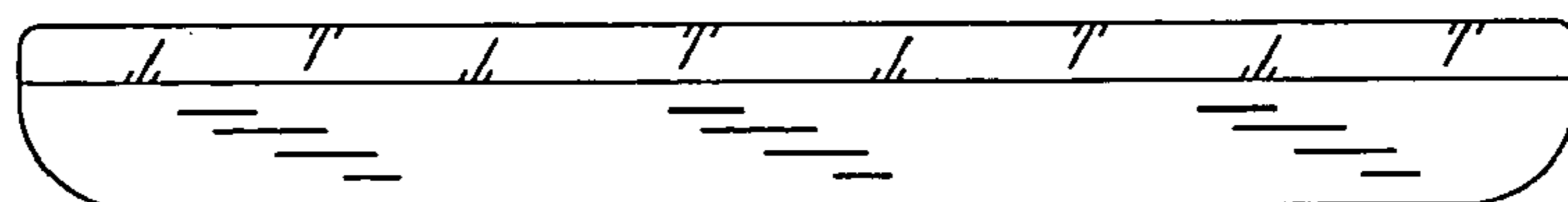


FIG. 6

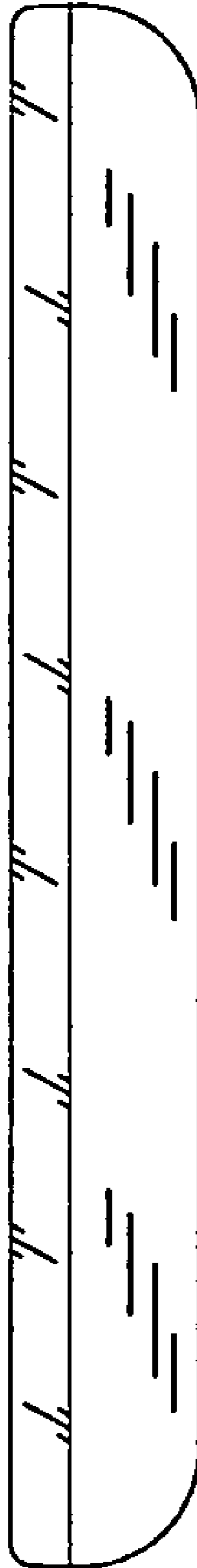


FIG. 7

