



US00D636723S

(12) **United States Design Patent**
Yamamoto et al.

(10) **Patent No.:** **US D636,723 S**

(45) **Date of Patent:** **** Apr. 26, 2011**

(54) **BATTERY CHARGER**

(75) Inventors: **Yuji Yamamoto**, Anjo (JP); **Koji Okamura**, Anjo (JP)

(73) Assignee: **Makita Corporation**, Anjo-shi (JP)

(**) Term: **14 Years**

(21) Appl. No.: **29/368,539**

(22) Filed: **Aug. 25, 2010**

(30) **Foreign Application Priority Data**

Apr. 27, 2010 (JP) 2010-010535

(51) **LOC (9) Cl.** **13-02**

(52) **U.S. Cl.** **D13/107**

(58) **Field of Classification Search** D13/107-110,
D13/118-119, 184, 199; D14/251, 253,
D14/432, 434; 320/107-115

See application file for complete search history.

(56) **References Cited**

U.S. PATENT DOCUMENTS

D277,845 S * 3/1985 Ip D13/107
D333,120 S * 2/1993 Shimoo et al. D13/107
D442,544 S * 5/2001 Ku D13/107

D478,557 S * 8/2003 Pfeiffer D13/107
D483,014 S * 12/2003 Hsiao D13/107
D504,868 S * 5/2005 Lodato et al. D13/107
D543,934 S * 6/2007 Kang et al. D13/107
D548,687 S 8/2007 Okuda et al.
D550,614 S * 9/2007 Fee et al. D13/107
D565,506 S * 4/2008 Sacco et al. D13/107
D572,655 S * 7/2008 Osiecki et al. D13/107
D598,845 S * 8/2009 Kingston et al. D13/107
D623,129 S * 9/2010 Kawakami et al. D13/107

* cited by examiner

Primary Examiner — Rosemary K Tarcza

(74) *Attorney, Agent, or Firm* — Oliff & Berridge, PLC

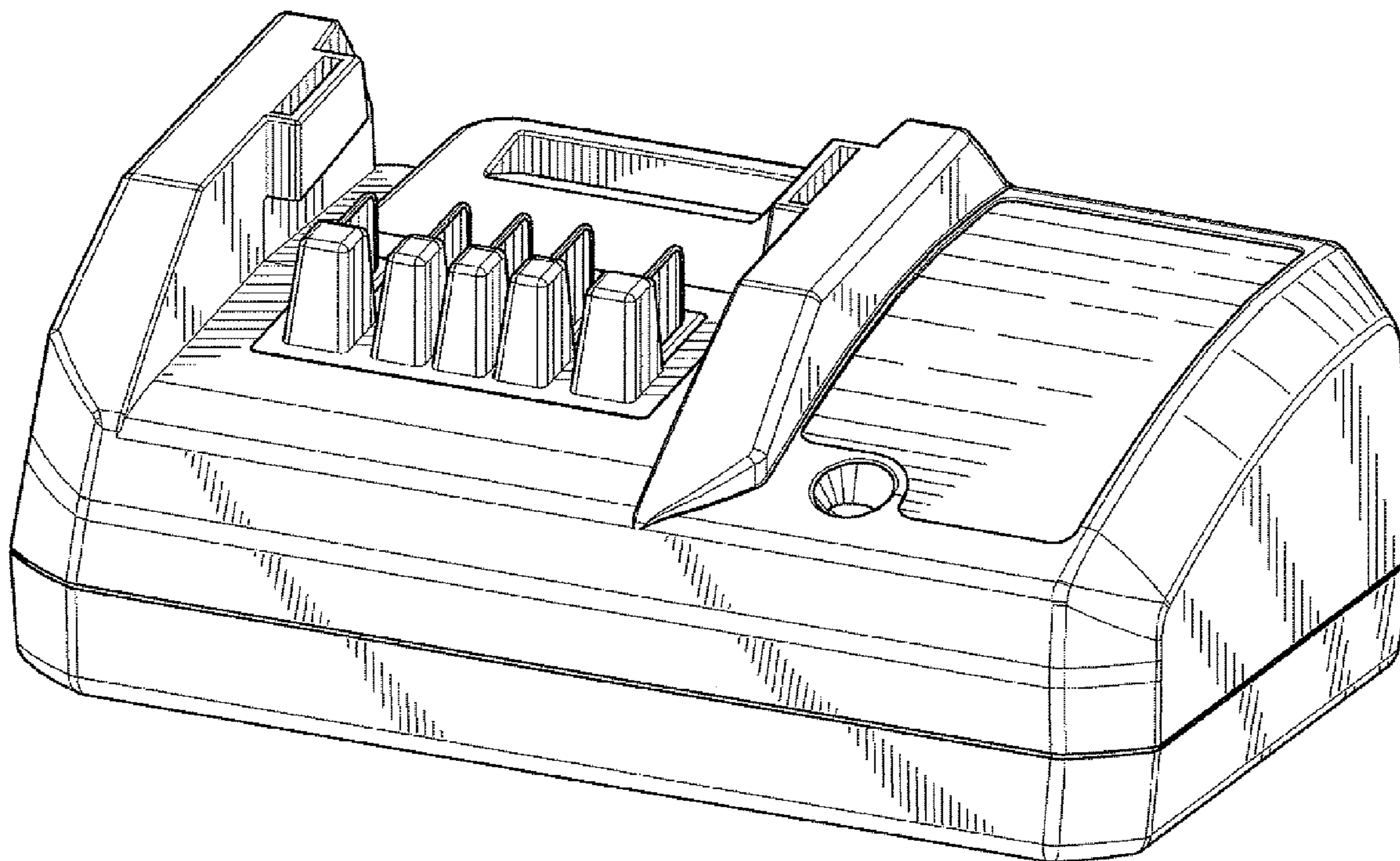
(57) **CLAIM**

The ornamental design for a battery charger, as shown and described.

DESCRIPTION

FIG. 1 is a perspective view of a battery charger showing our new design;
FIG. 2 is a front elevation view thereof;
FIG. 3 is a rear elevation view thereof;
FIG. 4 is a left side elevation view thereof;
FIG. 5 is a right side elevation view thereof;
FIG. 6 is a top plan view thereof; and,
FIG. 7 is a bottom plan view thereof.

1 Claim, 4 Drawing Sheets



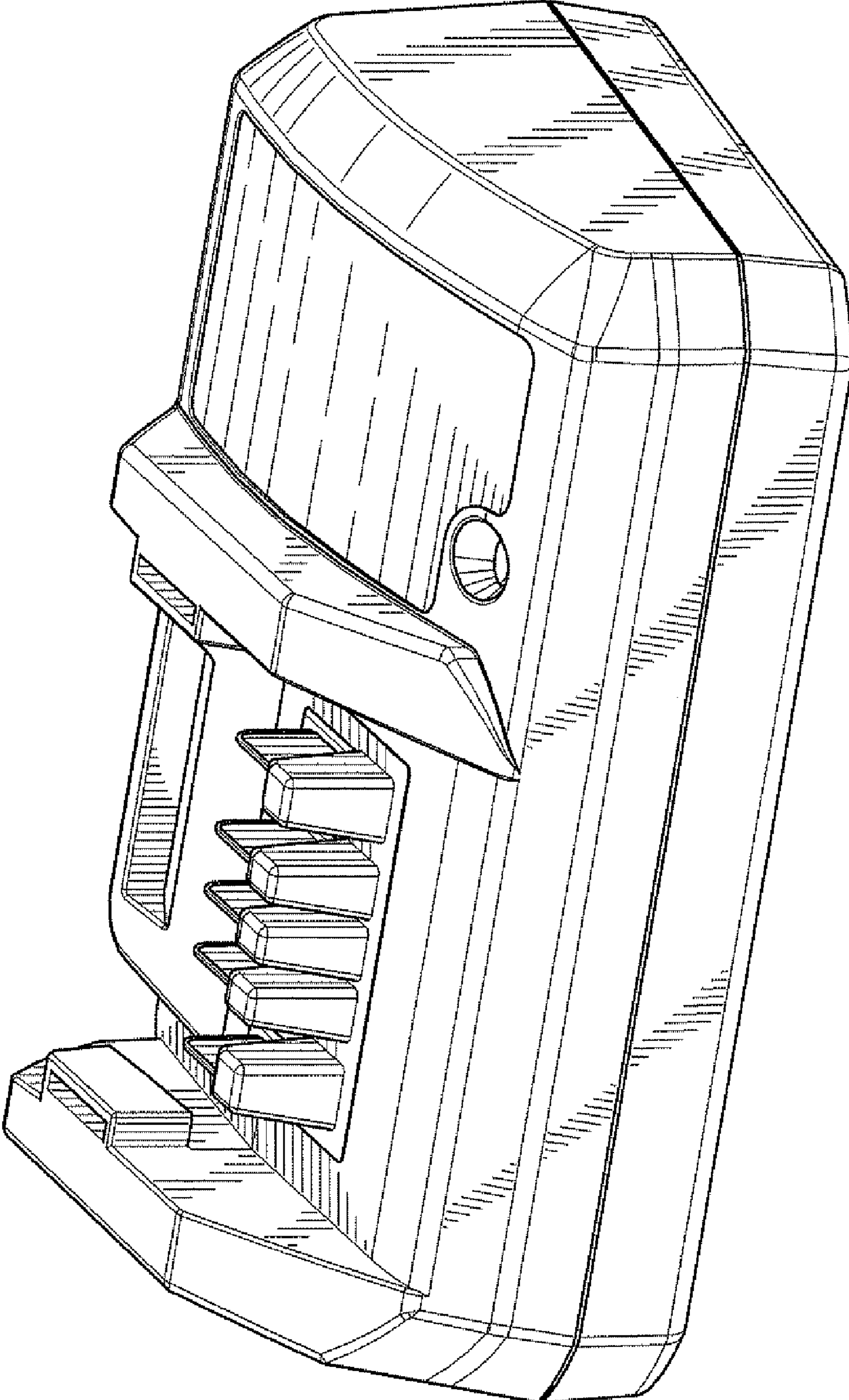


FIG. 1

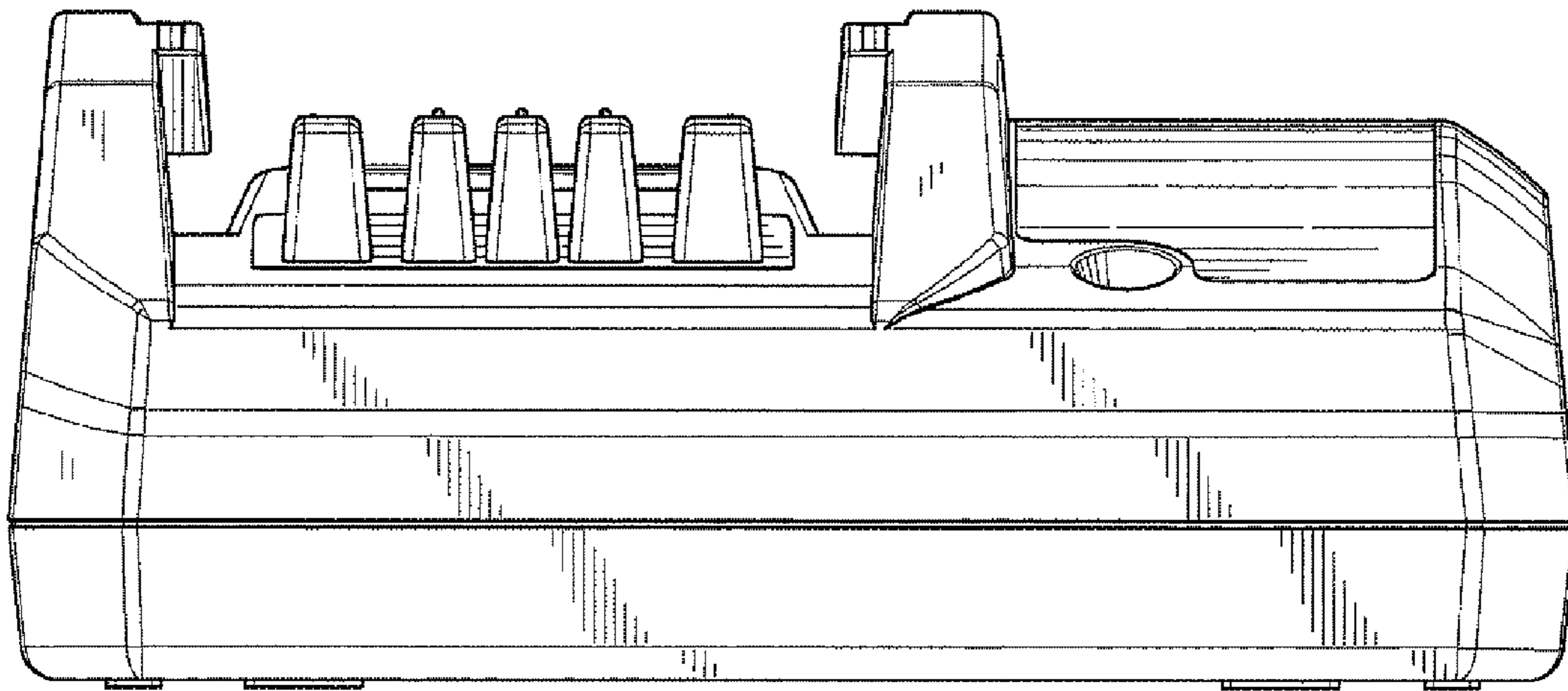


FIG. 2

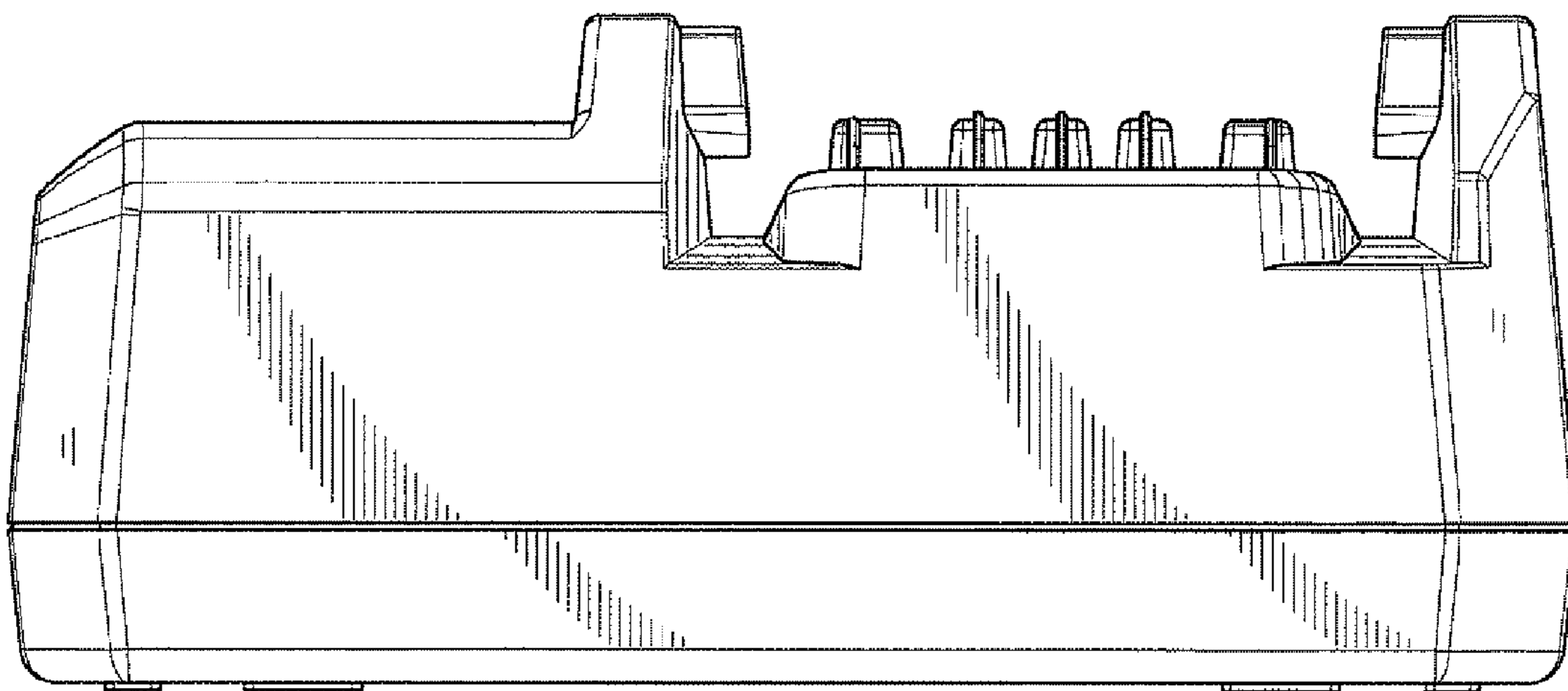


FIG. 3

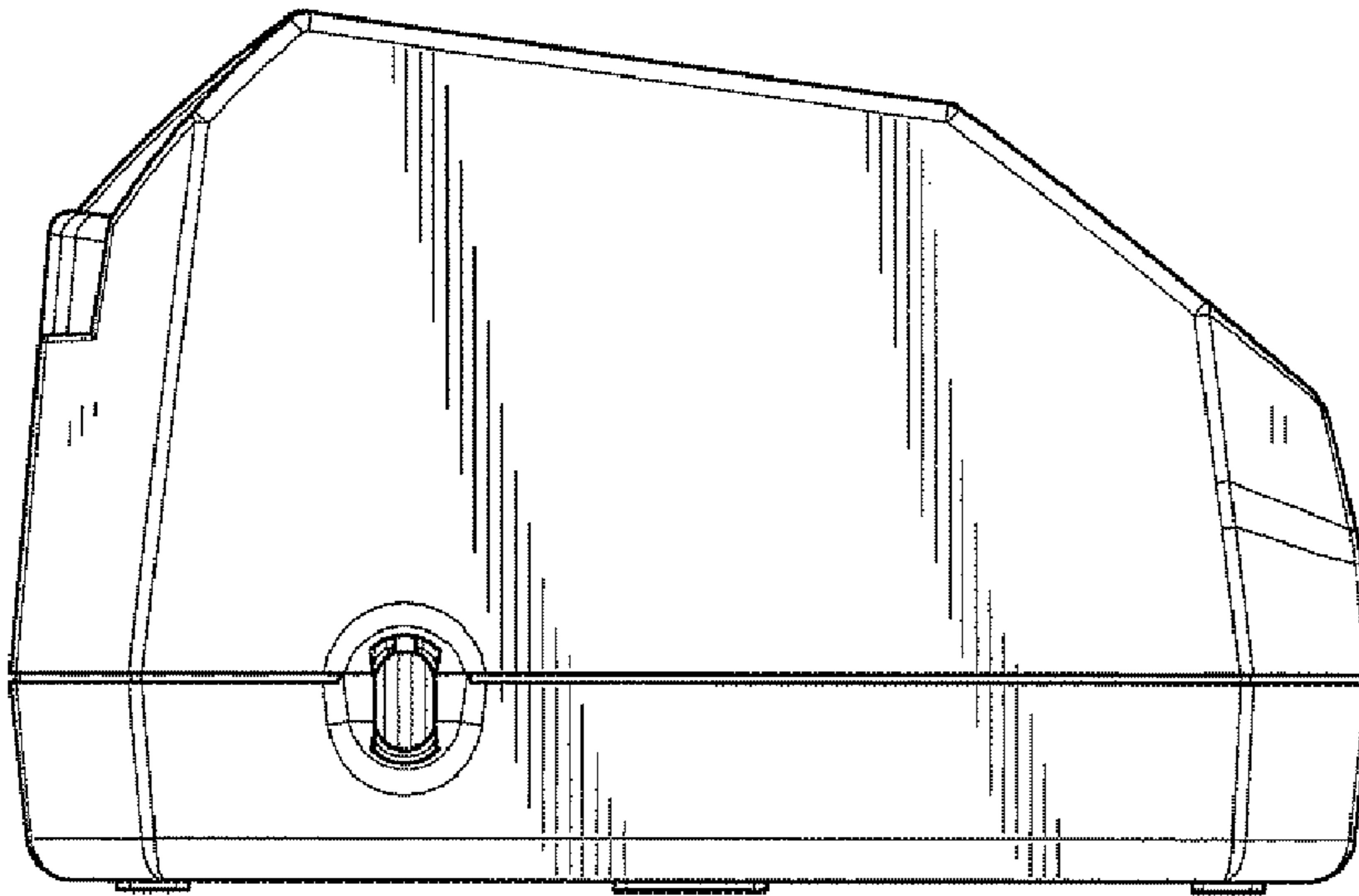


FIG. 4

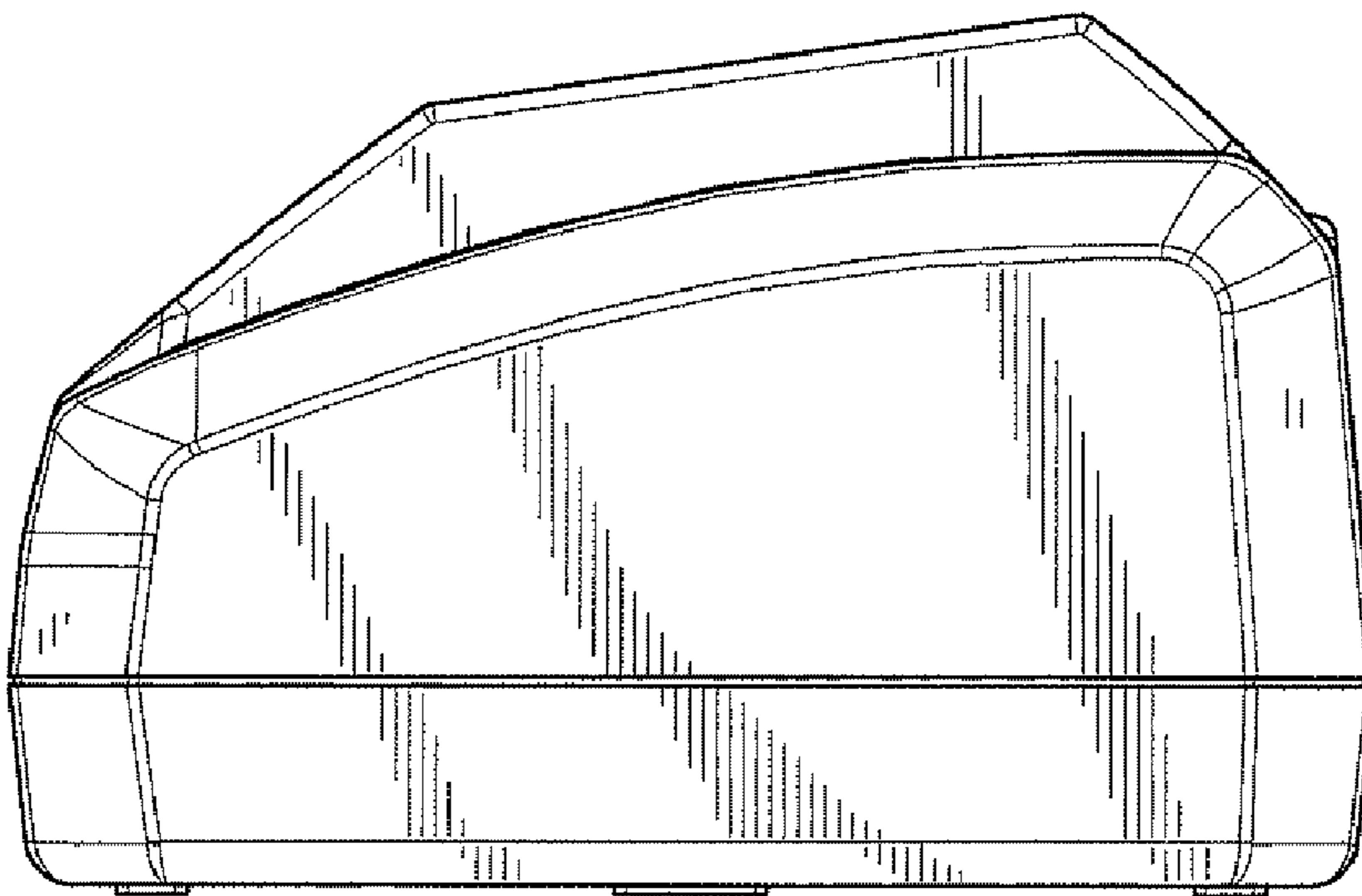


FIG. 5

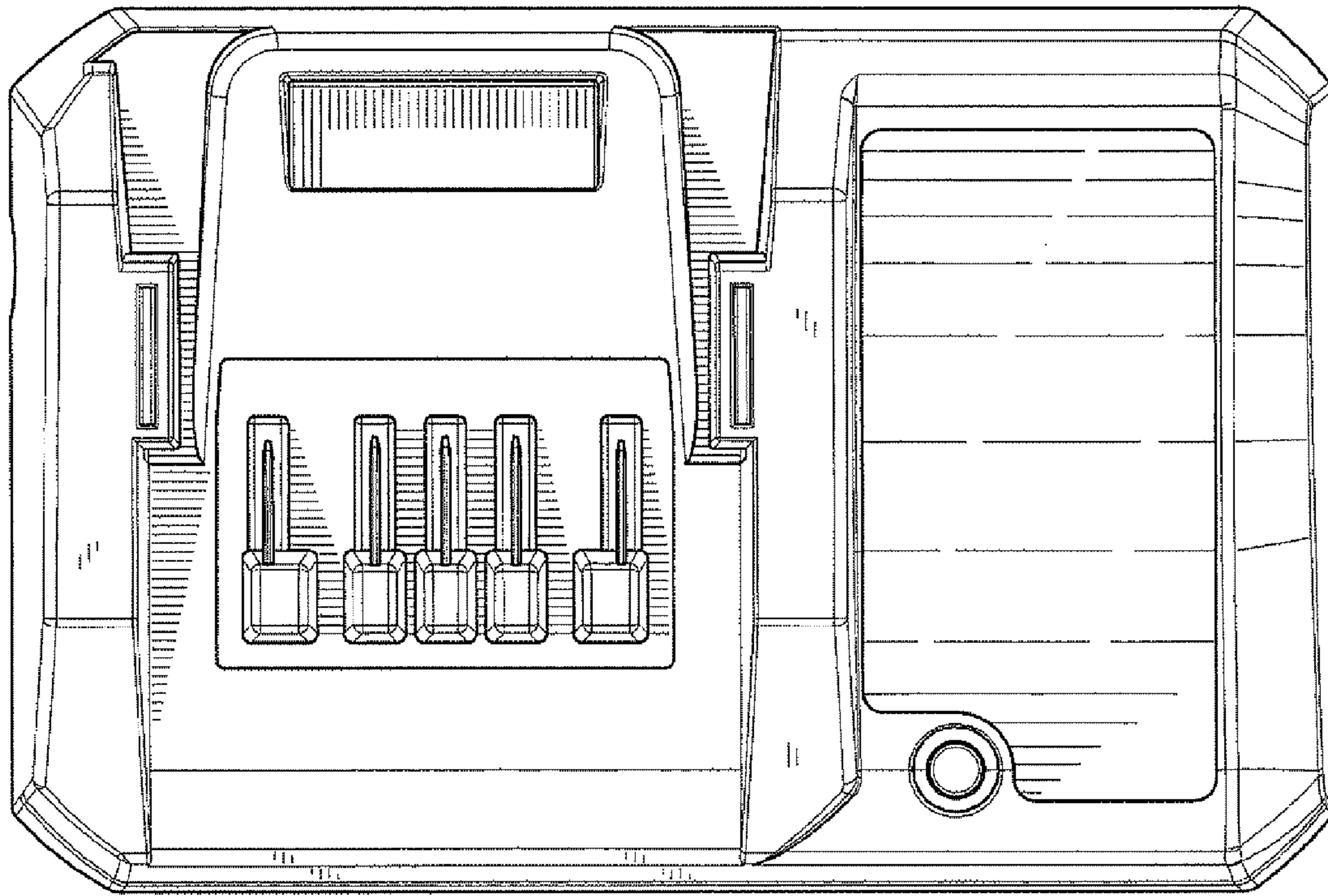


FIG. 6

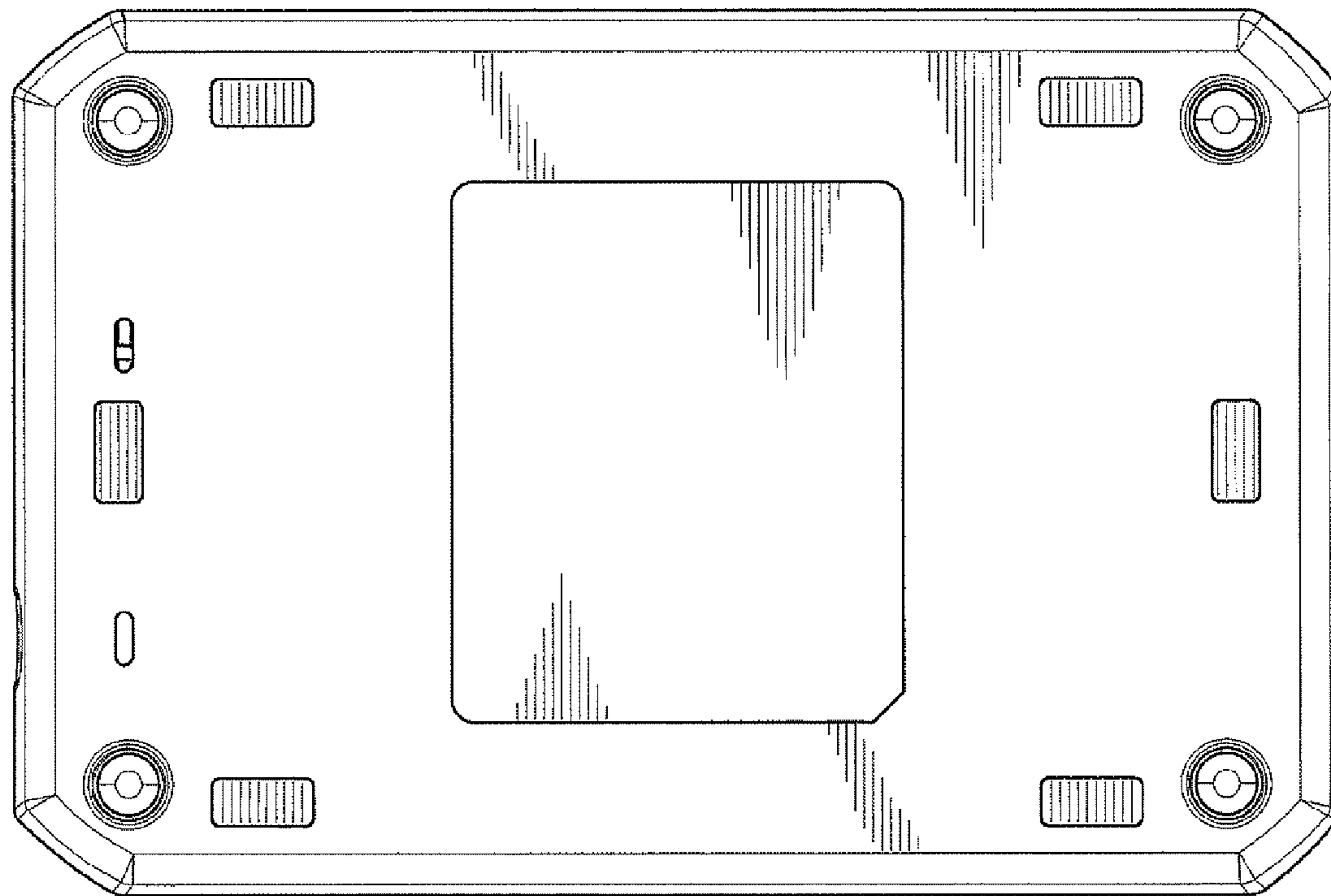


FIG. 7