



US00D636716S

(12) **United States Design Patent**
Ettensberger

(10) **Patent No.:** **US D636,716 S**

(45) **Date of Patent:** **** Apr. 26, 2011**

(54) **FRONT FACE OF A VEHICLE WHEEL**

(75) **Inventor:** **Claus Ettensberger**, West Los Angeles, CA (US)

(73) **Assignee:** **Claus Ettensberger Corp.**, West Los Angeles, CA (US)

(**) **Term:** **14 Years**

(21) **Appl. No.:** **29/378,211**

(22) **Filed:** **Nov. 1, 2010**

(51) **LOC (9) Cl.** **12-16**

(52) **U.S. Cl.** **D12/211**

(58) **Field of Classification Search** D12/204-213;
301/37.101, 64.101, 65, 64.201
See application file for complete search history.

(56) **References Cited**

U.S. PATENT DOCUMENTS

D480,036 S	*	9/2003	Laengerer	D12/211
D506,172 S	*	6/2005	Pfeiffer	D12/211
D512,359 S		12/2005	Ettensberger		
D512,949 S		12/2005	Ettensberger		
D514,046 S		1/2006	Ettensberger		
D532,736 S		11/2006	Ettensberger		
D532,738 S		11/2006	Ettensberger		
D532,739 S		11/2006	Ettensberger		
D532,740 S		11/2006	Ettensberger		
D539,721 S		4/2007	Ettensberger		

D546,263 S	*	7/2007	Hernandez	D12/211
D553,069 S		10/2007	Ettensberger		
D577,649 S		9/2008	Ettensberger		
D580,336 S	*	11/2008	Chung	D12/211
D592,119 S	*	5/2009	Heizmann	D12/211
D596,549 S	*	7/2009	Varga	D12/211
D597,014 S	*	7/2009	Nissl	D12/211
D604,685 S	*	11/2009	Zhou et al.	D12/211
D606,922 S	*	12/2009	Thorsten	D12/211
D610,064 S	*	2/2010	Dilber et al.	D12/211
D617,709 S	*	6/2010	Borkert	D12/209
D620,418 S	*	7/2010	Borkert	D12/209
D625,245 S	*	10/2010	Hans et al.	D12/211
D630,567 S		1/2011	Ettensberger		

* cited by examiner

Primary Examiner — Stacia Cadmus

(74) *Attorney, Agent, or Firm* — Berenato & White, LLC

(57) **CLAIM**

The ornamental design for a front face of a vehicle wheel, as shown and described.

DESCRIPTION

FIG. 1 is a front view of a front face of a vehicle wheel showing my new design; and,

FIG. 2 is a top and left side perspective view of the wheel shown in FIG. 1.

The broken line showing of the rim is included for the purpose of illustrating environment and forms no part of the claimed design.

1 Claim, 2 Drawing Sheets

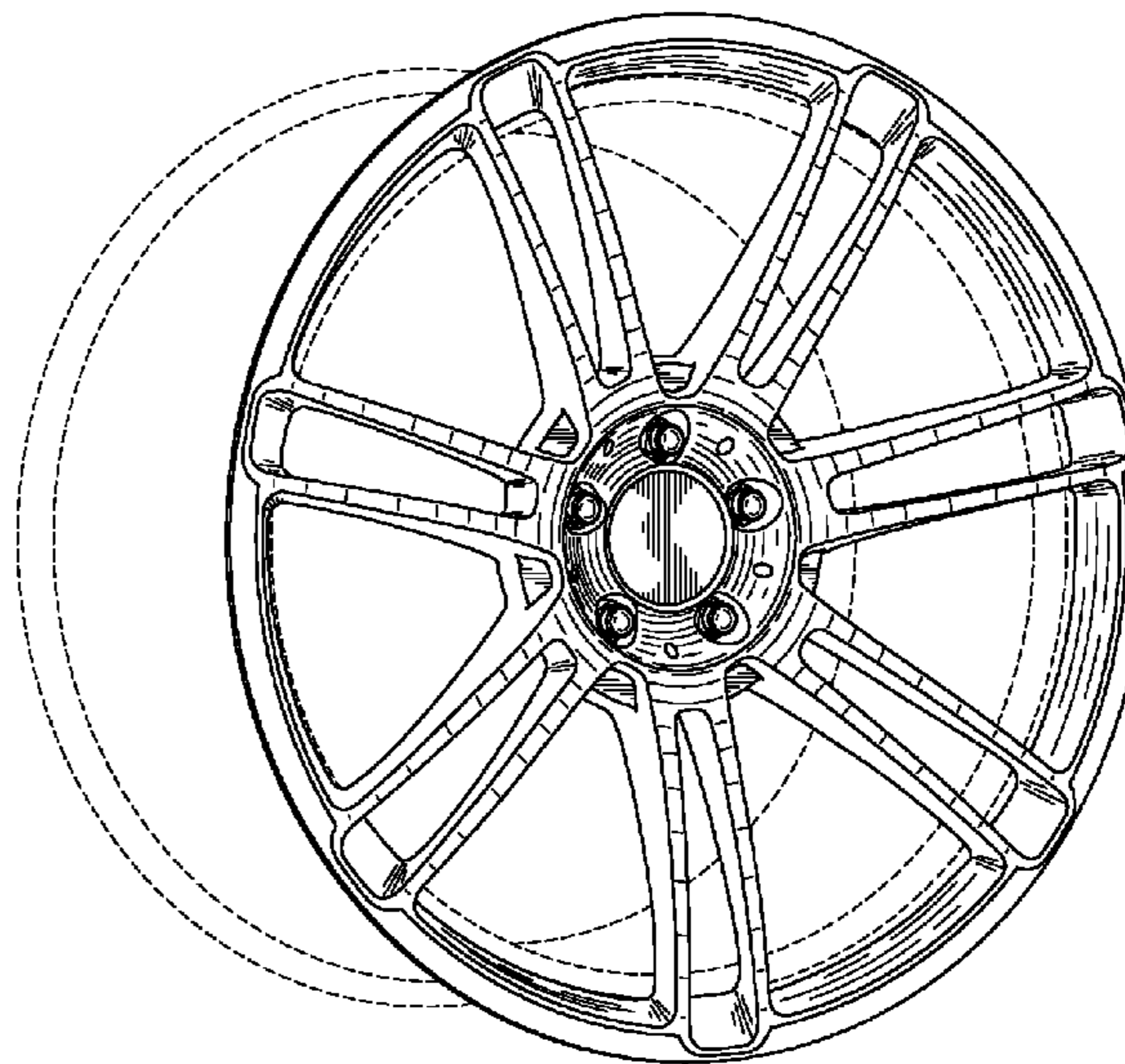
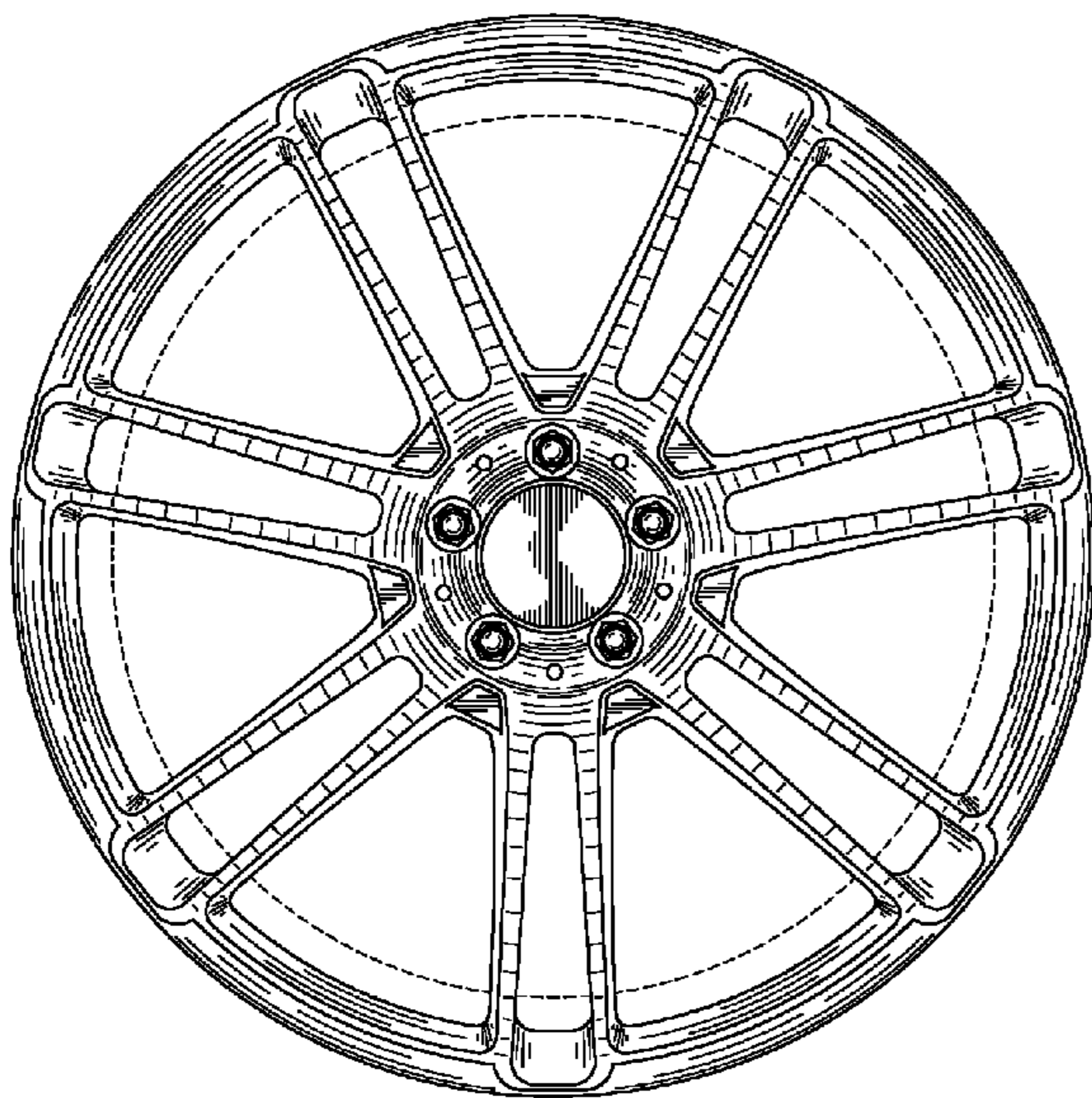


Fig. 1

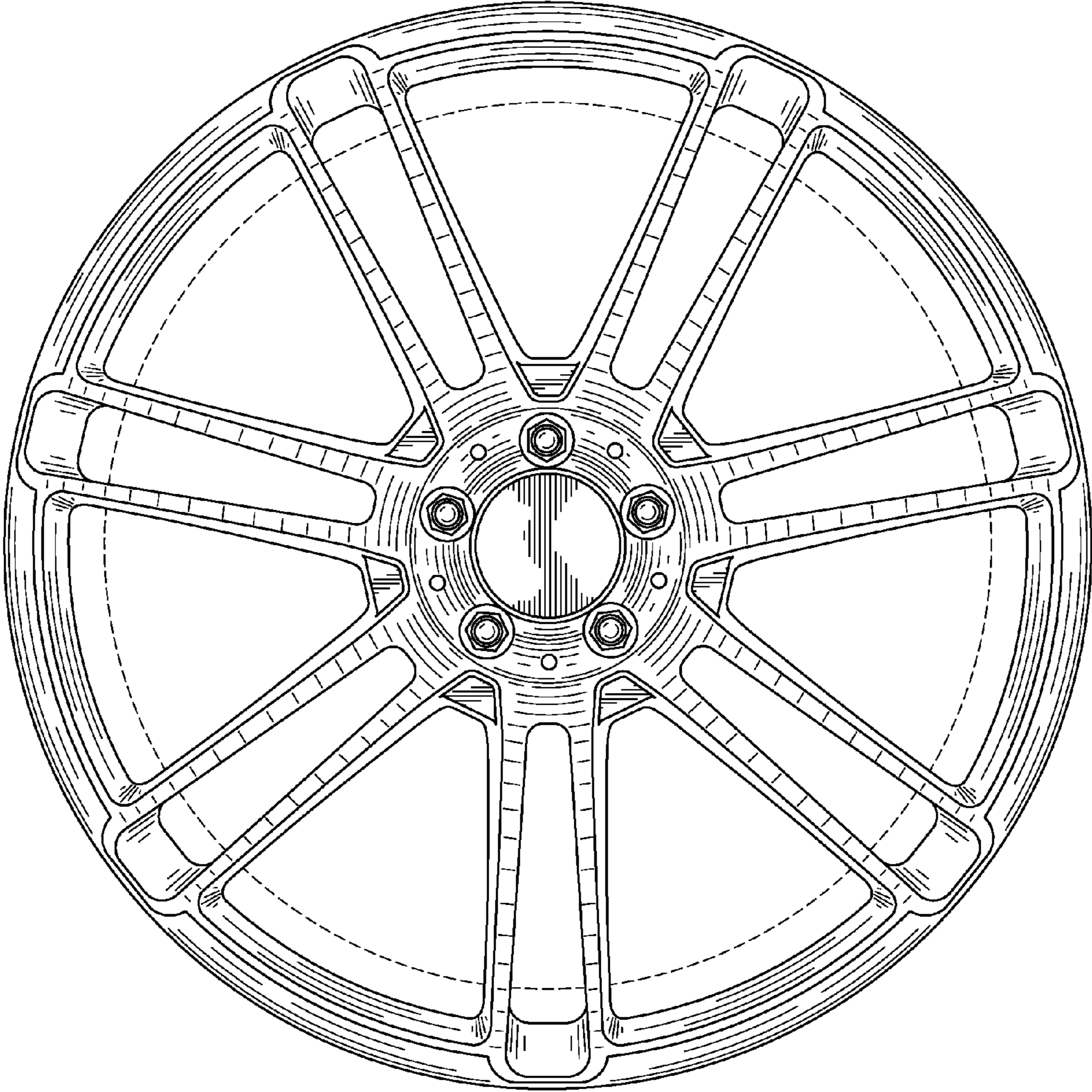


Fig. 2

