



US00D636713S

(12) **United States Design Patent**
Ohm et al.

(10) **Patent No.:** **US D636,713 S**
(45) **Date of Patent:** **** Apr. 26, 2011**

(54) **DIAMOND LICENSE PLATE FRAME**

(75) Inventors: **Patrick L. Ohm**, Mesa, AZ (US); **C. Kwai Kong**, Gilroy, CA (US); **Kenneth C. Booth**, Mesa, AZ (US)

(73) Assignee: **Bell Automotive Products, Inc.**, Scottsdale, AZ (US)

(**) Term: **14 Years**

(21) Appl. No.: **29/385,241**

(22) Filed: **Feb. 10, 2011**

(51) **LOC (9) Cl.** **12-16**

(52) **U.S. Cl.** **D12/193**

(58) **Field of Classification Search** D12/193;
D6/300-30, 310-315; 40/200-204, 207-214;
362/497, 473, 327, 604; D20/13

See application file for complete search history.

(56) **References Cited**

U.S. PATENT DOCUMENTS

D453,491 S *	2/2002	Schmitz	D12/193
D475,335 S	6/2003	Wang		
D524,210 S	7/2006	Spencer		
D524,707 S	7/2006	Spencer		
D524,708 S *	7/2006	Spencer	D12/193

D535,927 S	1/2007	Tofer et al.		
D537,395 S	2/2007	Magee		
D538,722 S	3/2007	Tofer		
D561,672 S *	2/2008	Hu	D12/193
D602,831 S	10/2009	Spencer et al.		
D602,832 S	10/2009	Tharp et al.		
D619,948 S *	7/2010	Lee	D12/193

* cited by examiner

Primary Examiner — Stacia Cadmus

(74) *Attorney, Agent, or Firm* — Booth Udall, PLC

(57) **CLAIM**

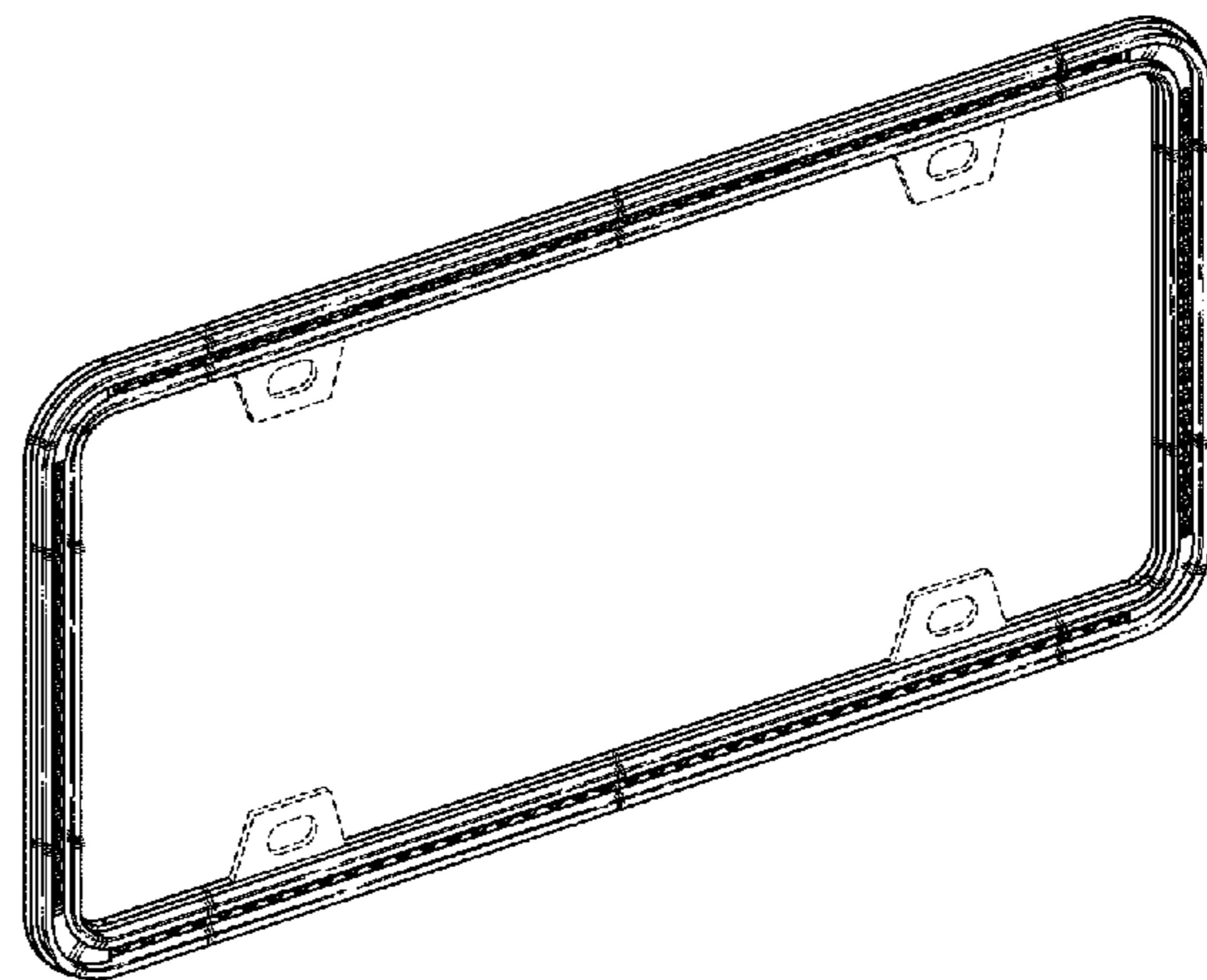
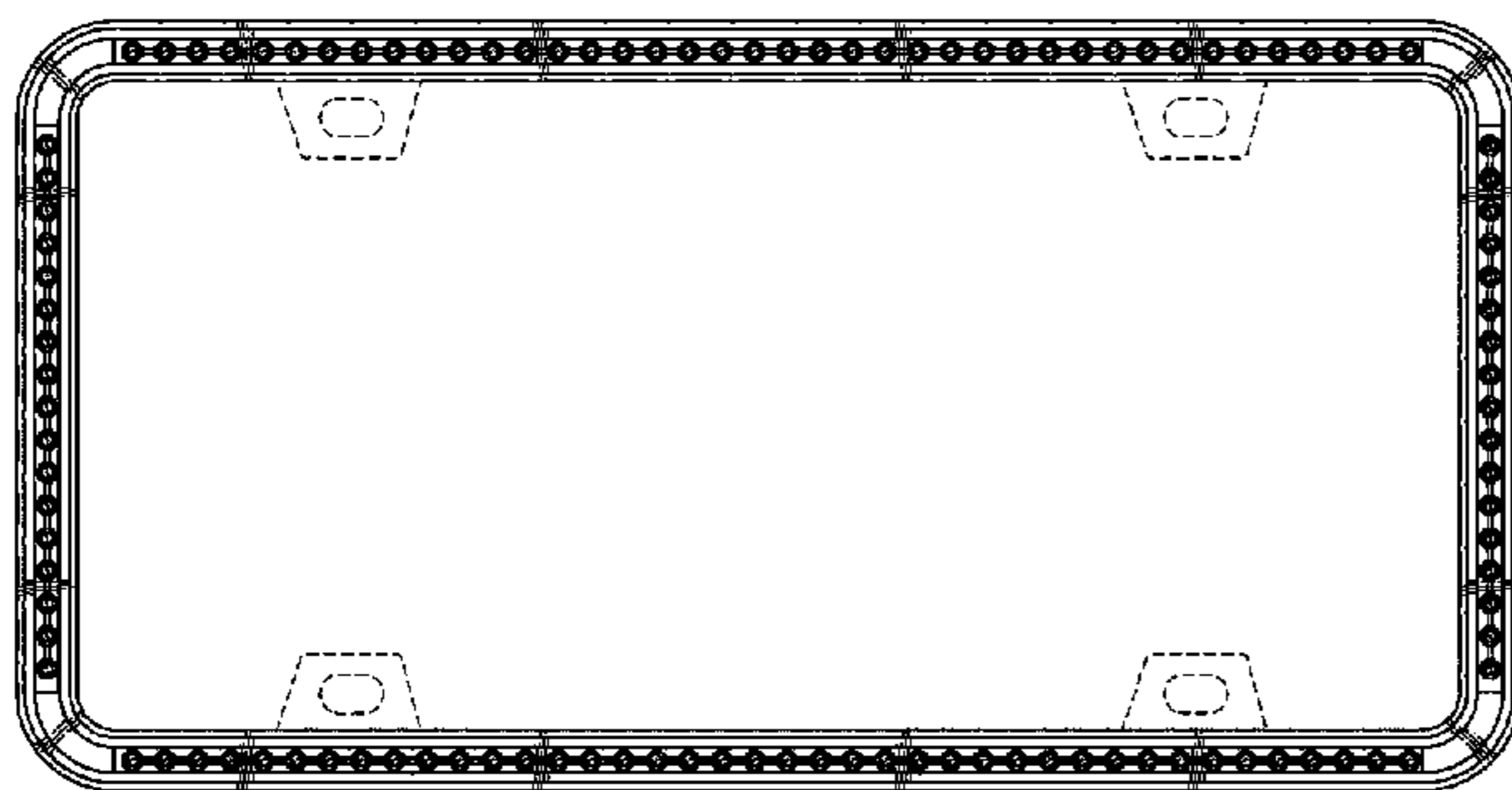
The ornamental design for a diamond license plate frame, as shown and described.

DESCRIPTION

FIG. 1 is a front view for a diamond license plate frame; FIG. 2 is a top view thereof, the bottom view being identical to the top view; FIG. 3 is a left side view thereof, the right side view being identical to the left side view; FIG. 4 is a back view thereof; and, FIG. 5 is a front perspective view thereof.

The broken lines are included for the purpose of illustrating environmental features and form no part of the claimed design.

1 Claim, 3 Drawing Sheets



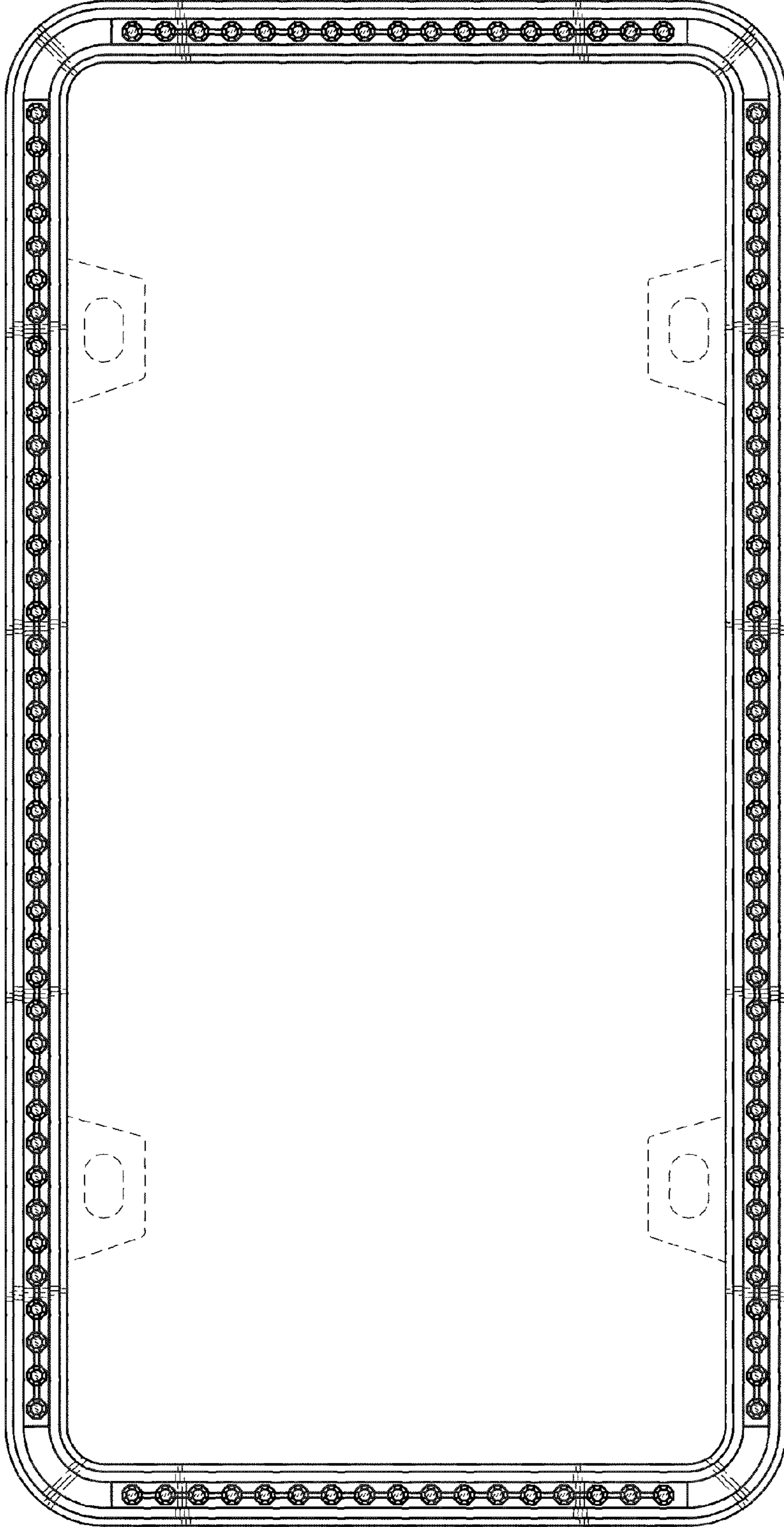


FIG. 1



FIG. 2

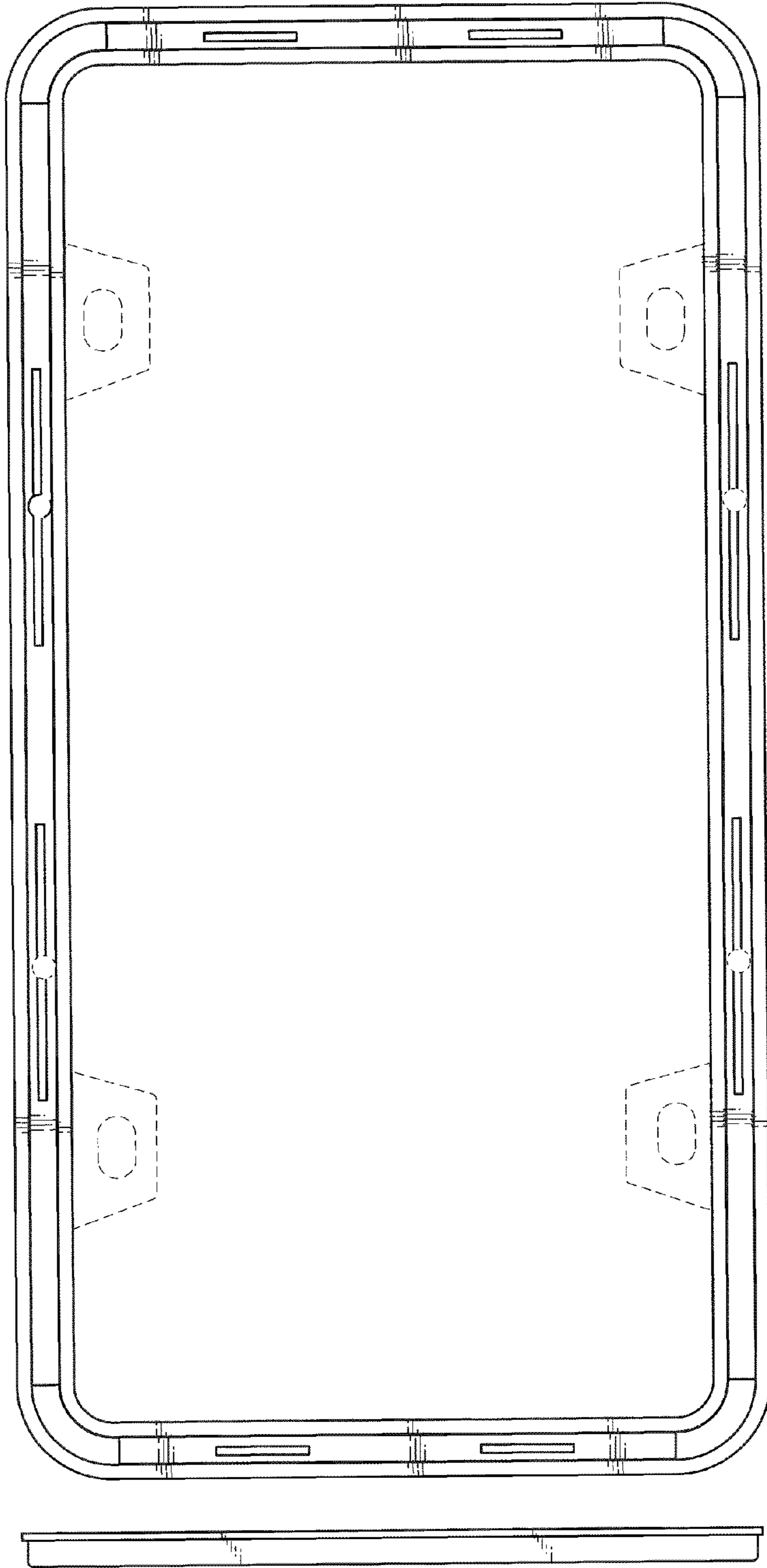


FIG. 3

FIG. 4

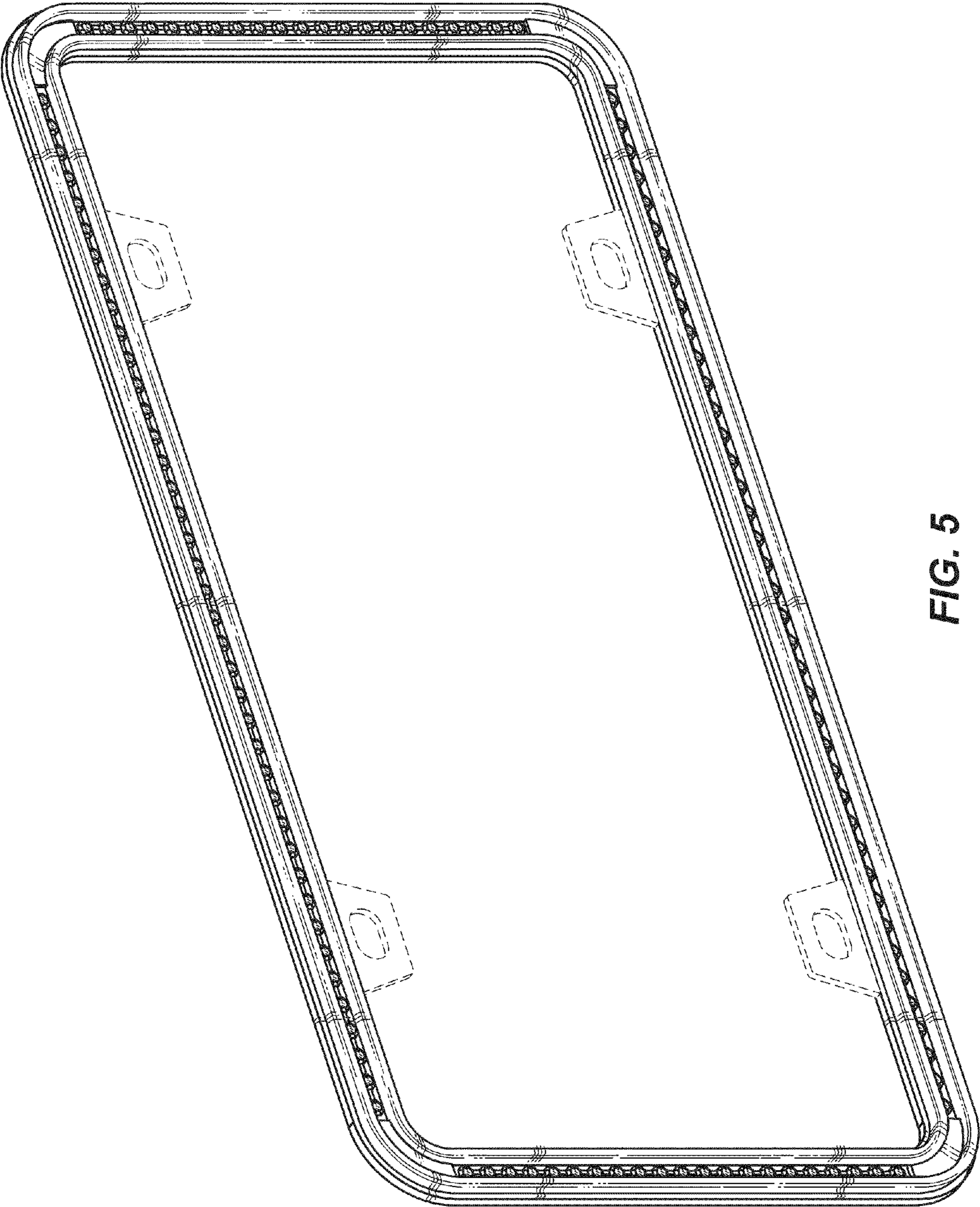


FIG. 5