



US00D636712S

(12) **United States Design Patent**  
**Shymkiw**

(10) **Patent No.:** **US D636,712 S**

(45) **Date of Patent:** **\*\* Apr. 26, 2011**

(54) **APPLIQUE FOR MOTOR VEHICLE**

D556,015 S \* 11/2007 Muchnik ..... D8/354  
D566,022 S \* 4/2008 Johnson ..... D12/190  
D586,273 S \* 2/2009 Hamburger ..... D12/181

(76) Inventor: **Robert William Shymkiw**, Westlake Village, CA (US)

\* cited by examiner

(\*\*) Term: **14 Years**

*Primary Examiner* — Caron Veynar

*Assistant Examiner* — Katrina A Kile

(21) Appl. No.: **29/351,685**

(74) *Attorney, Agent, or Firm* — Knobbe, Martens, Olson & Bear, LLP

(22) Filed: **Dec. 9, 2009**

(57) **CLAIM**

The ornamental design for an applique for motor vehicle, as shown and described.

**Related U.S. Application Data**

(62) Division of application No. 29/324,168, filed on Sep. 8, 2008, now Pat. No. Des. 607,392.

**DESCRIPTION**

(51) **LOC (9) Cl.** ..... **12-08**

FIG. 1 is a perspective view showing an applique for motor vehicle assembled to a representative vehicle.

(52) **U.S. Cl.** ..... **D12/190**

FIG. 2 is a front top perspective view of the applique for motor vehicle shown in FIG. 1;

(58) **Field of Classification Search** ..... D12/190, D12/181, 400, 90, 91, 92, 114, 199, 196, D12/197, 86, 171, 172, 173, 169, 163  
See application file for complete search history.

FIG. 3 is a front view thereof;

FIG. 4 is a top view thereof;

FIG. 5 is a bottom view thereof;

FIG. 6 is a left side view thereof;

FIG. 7 is a right side view thereof; and,

FIG. 8 is a rear view thereof.

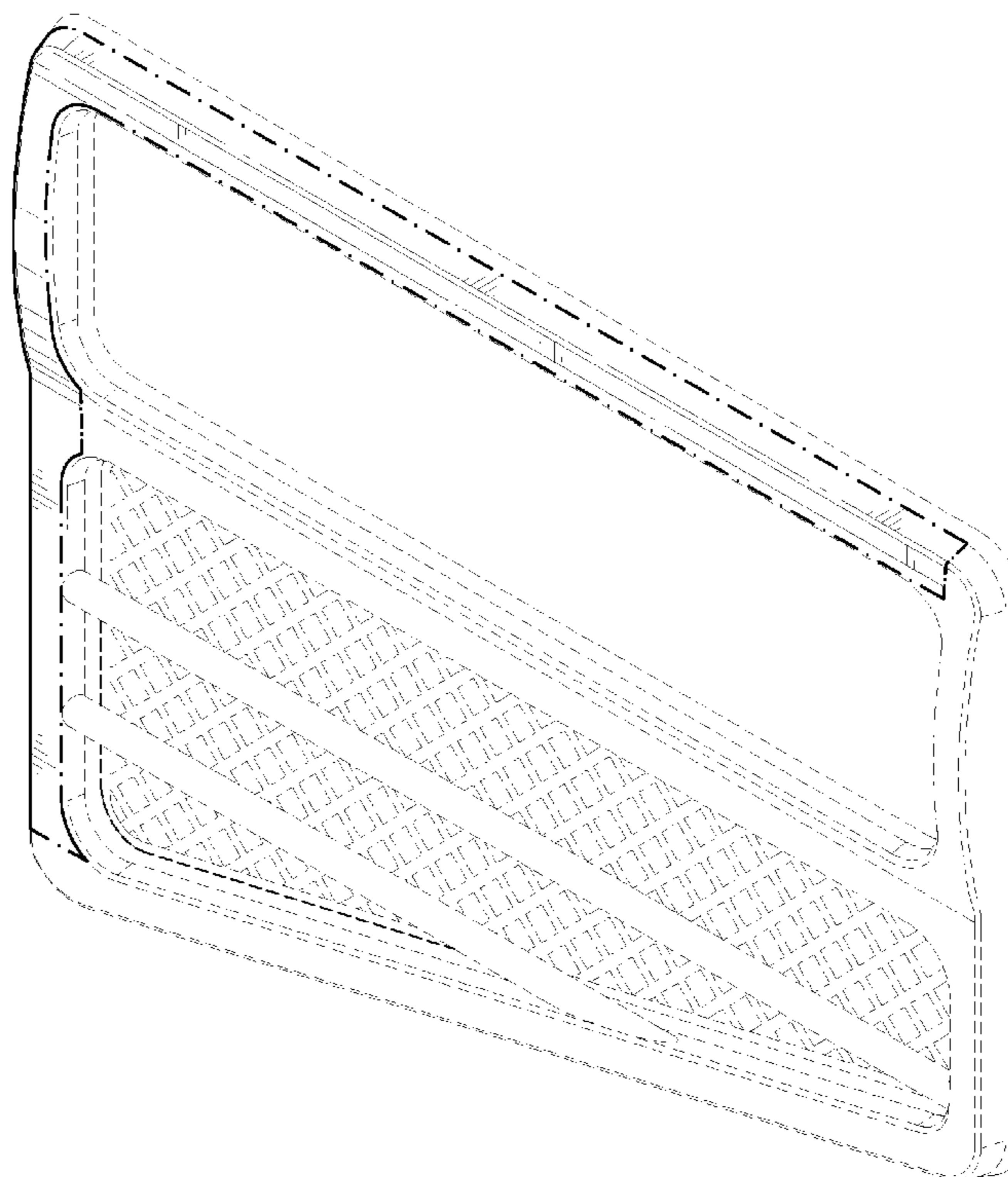
(56) **References Cited**

**U.S. PATENT DOCUMENTS**

D263,294 S \* 3/1982 Kaplus et al. .... D12/183  
D394,035 S \* 5/1998 Stosel et al. .... D12/163  
D429,195 S \* 8/2000 Gabath ..... D12/163  
D432,064 S \* 10/2000 Hartog ..... D12/190  
D540,228 S \* 4/2007 Lai ..... D12/190  
D540,229 S \* 4/2007 Lai ..... D12/190  
D545,258 S \* 6/2007 Teng ..... D12/190

Where utilized, the dash-dot chain broken lines represent the bounds of the claimed design while the dashed broken lines show portions of the representative vehicle and portions of the applique for motor vehicle that form no part of the claimed design.

**1 Claim, 4 Drawing Sheets**



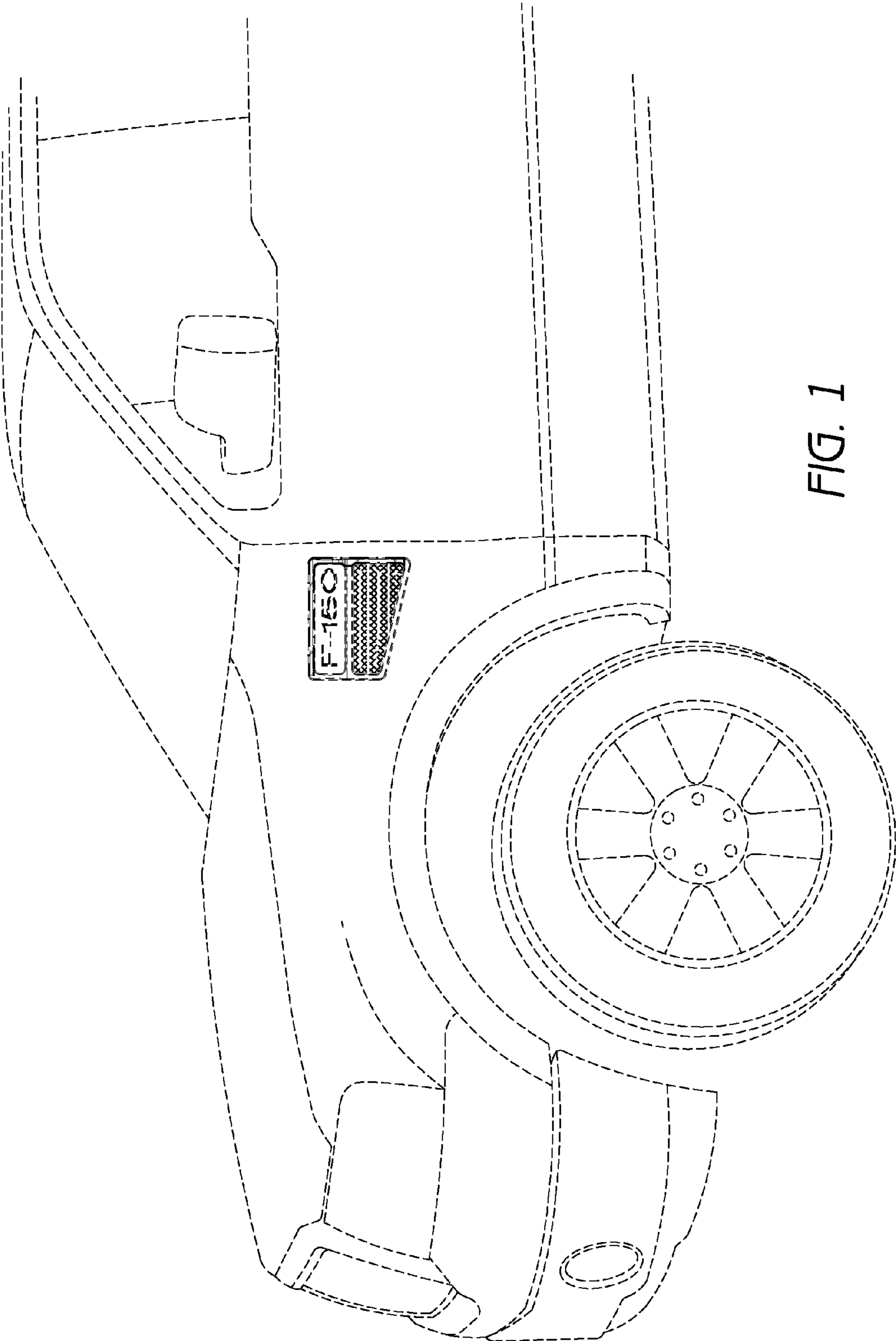


FIG. 1

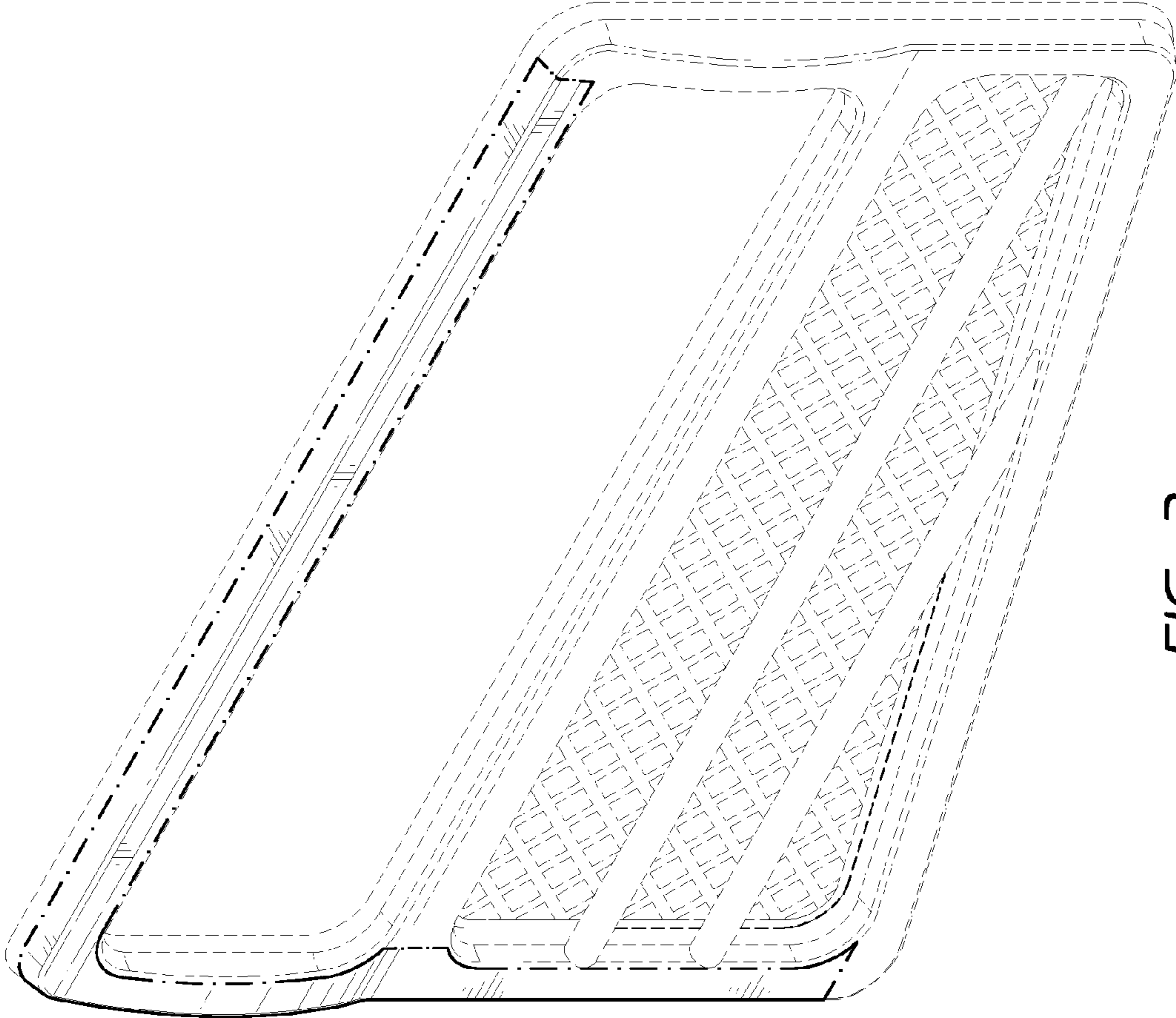


FIG. 2

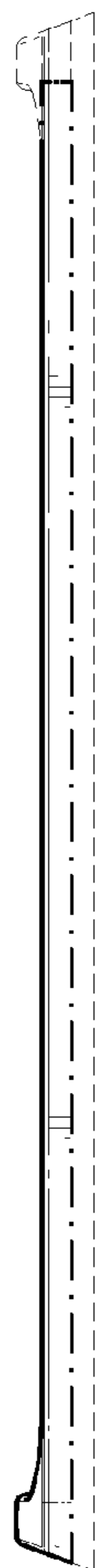


FIG. 4

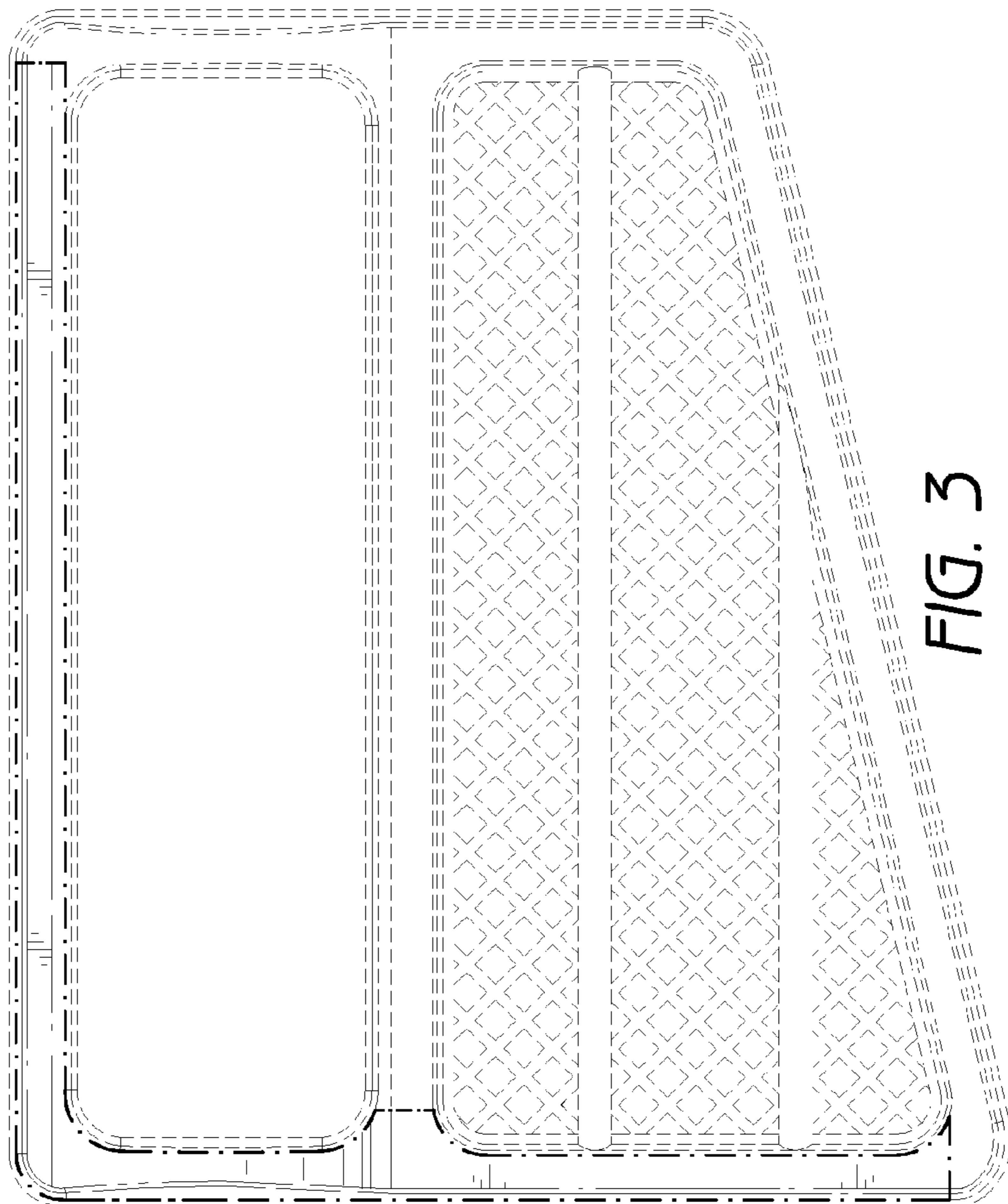


FIG. 3



FIG. 6

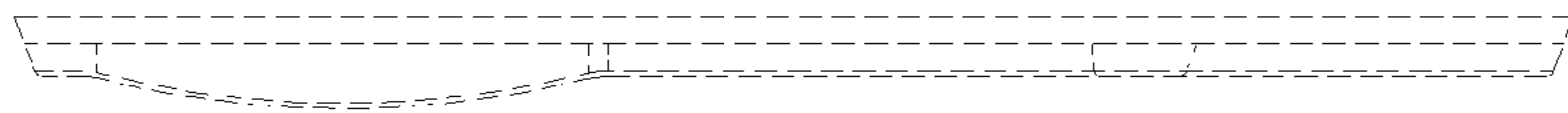


FIG. 7

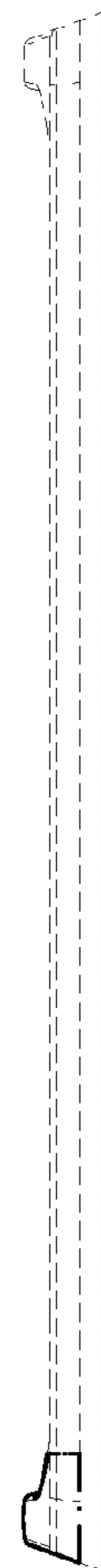


FIG. 5

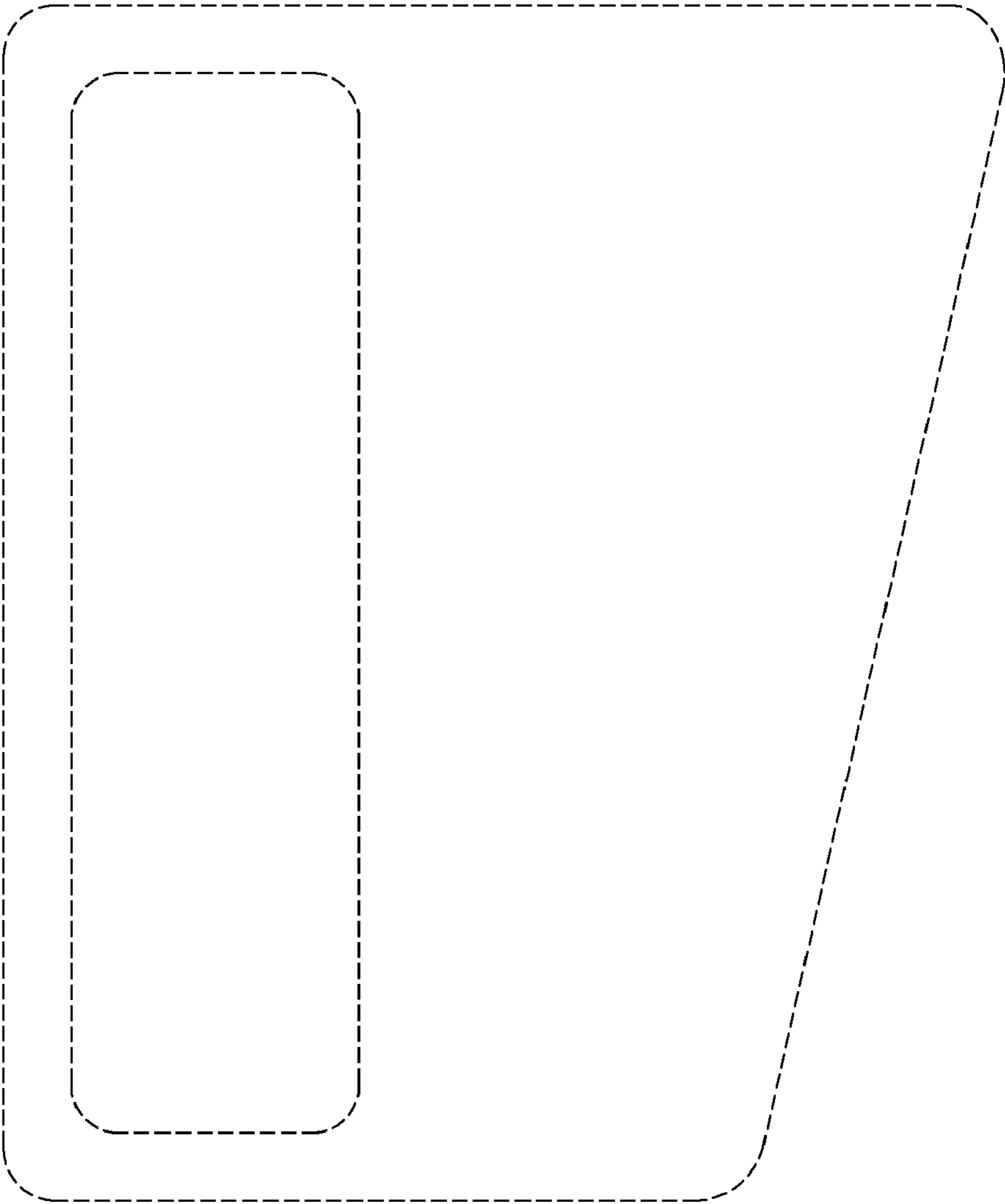


FIG. 8