



US00D636709S

(12) **United States Design Patent**  
**Cho**

(10) **Patent No.:** **US D636,709 S**  
(45) **Date of Patent:** **\*\* Apr. 26, 2011**

- (54) **WALKER**
- (75) Inventor: **Sang Deog Cho**, Seoul (KR)
- (73) Assignee: **Davinci Meditec Co., Ltd.**, Wonju (KR)
- (\*\*) Term: **14 Years**
- (21) Appl. No.: **29/360,253**
- (22) Filed: **Apr. 22, 2010**
- (51) **LOC (9) Cl.** ..... **12-12**
- (52) **U.S. Cl.** ..... **D12/130**
- (58) **Field of Classification Search** ..... D12/128-133;  
D6/360, 367; 280/62, 647-650, 29, 200,  
280/47.38, 250.1, 259, 642, 658; 297/DIG. 4;  
296/65.03, 65.04; 224/409; D21/425, 426;  
D34/17, 18  
See application file for complete search history.

(56) **References Cited**

**U.S. PATENT DOCUMENTS**

D367,833	S *	3/1996	Ahlbertz	.....	D12/130
D448,706	S *	10/2001	Ferm	.....	D12/130
D501,432	S *	2/2005	Møller	.....	D12/130
6,877,519	B2 *	4/2005	Fink	.....	135/67
D603,302	S *	11/2009	Willis	.....	D12/133
7,753,398	B2 *	7/2010	Yang	.....	280/642
7,766,366	B2 *	8/2010	Li	.....	280/642

\* cited by examiner

*Primary Examiner* — Ian Simmons  
*Assistant Examiner* — Charles D Hanson  
(74) *Attorney, Agent, or Firm* — Maxon IP LLC; Justin H. Kim

(57) **CLAIM**  
The ornamental design for a walker, as shown and described.

**DESCRIPTION**

FIG. 1 is a perspective view of a walker in an unfolded position;  
 FIG. 2 is a front view of the walker of FIG. 1;  
 FIG. 3 is a rear view of the walker of FIG. 1;  
 FIG. 4 is a left-side view of the walker of FIG. 1;  
 FIG. 5 is a right-side view of the walker of FIG. 1;  
 FIG. 6 is a top plan view of the walker of FIG. 1;  
 FIG. 7 is a bottom plan view of the walker of FIG. 1.  
 FIG. 8 is a perspective view of the walker of FIG. 1 in a folded position;  
 FIG. 9 is a front view of the walker of FIG. 8;  
 FIG. 10 is a rear view of the walker of FIG. 8;  
 FIG. 11 is a left-side view of the walker of FIG. 8;  
 FIG. 12 is a right-side view of the walker of FIG. 8;  
 FIG. 13 is a top plan view of the walker of FIG. 8; and,  
 FIG. 14 is a bottom plan view of the walker of Figure.

**1 Claim, 14 Drawing Sheets**

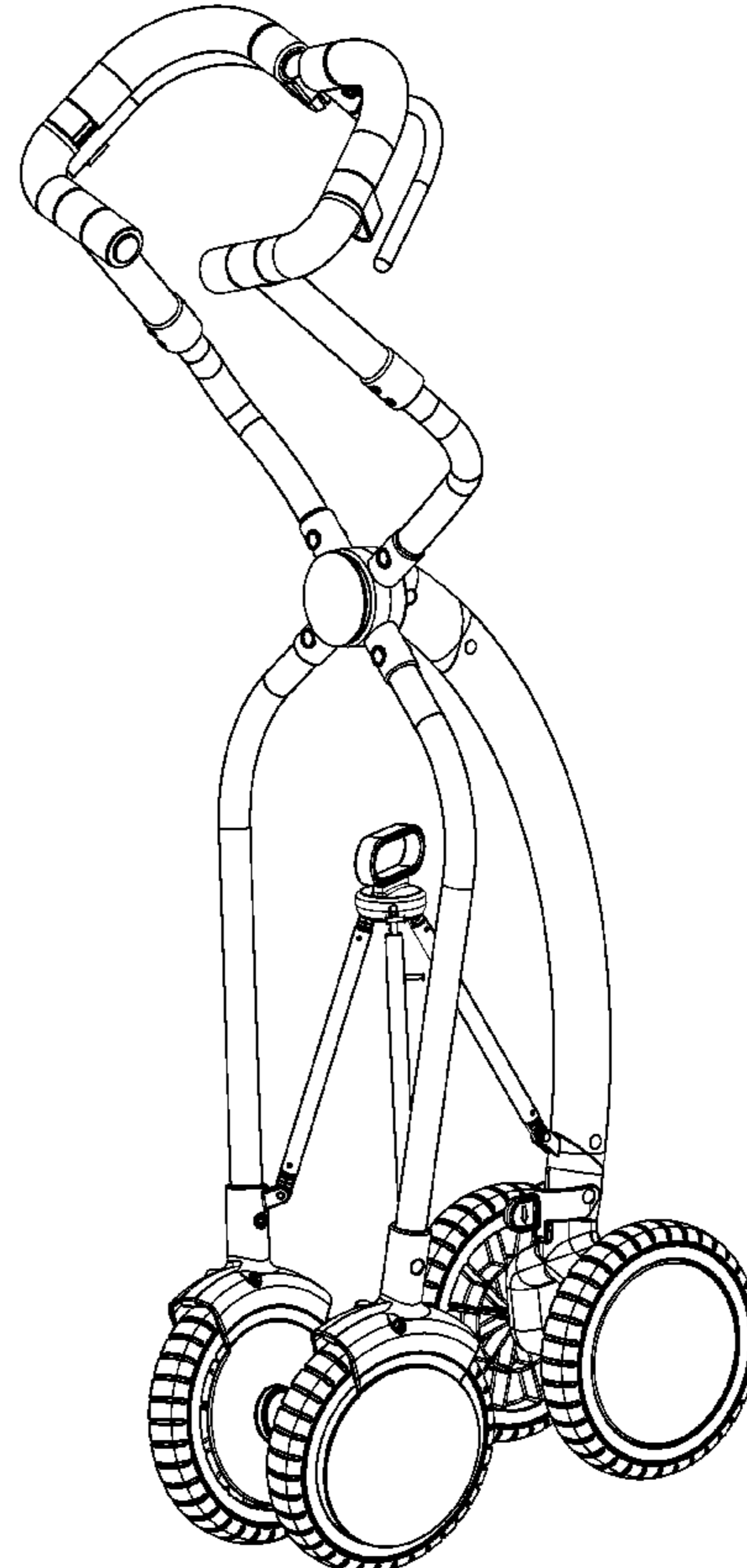
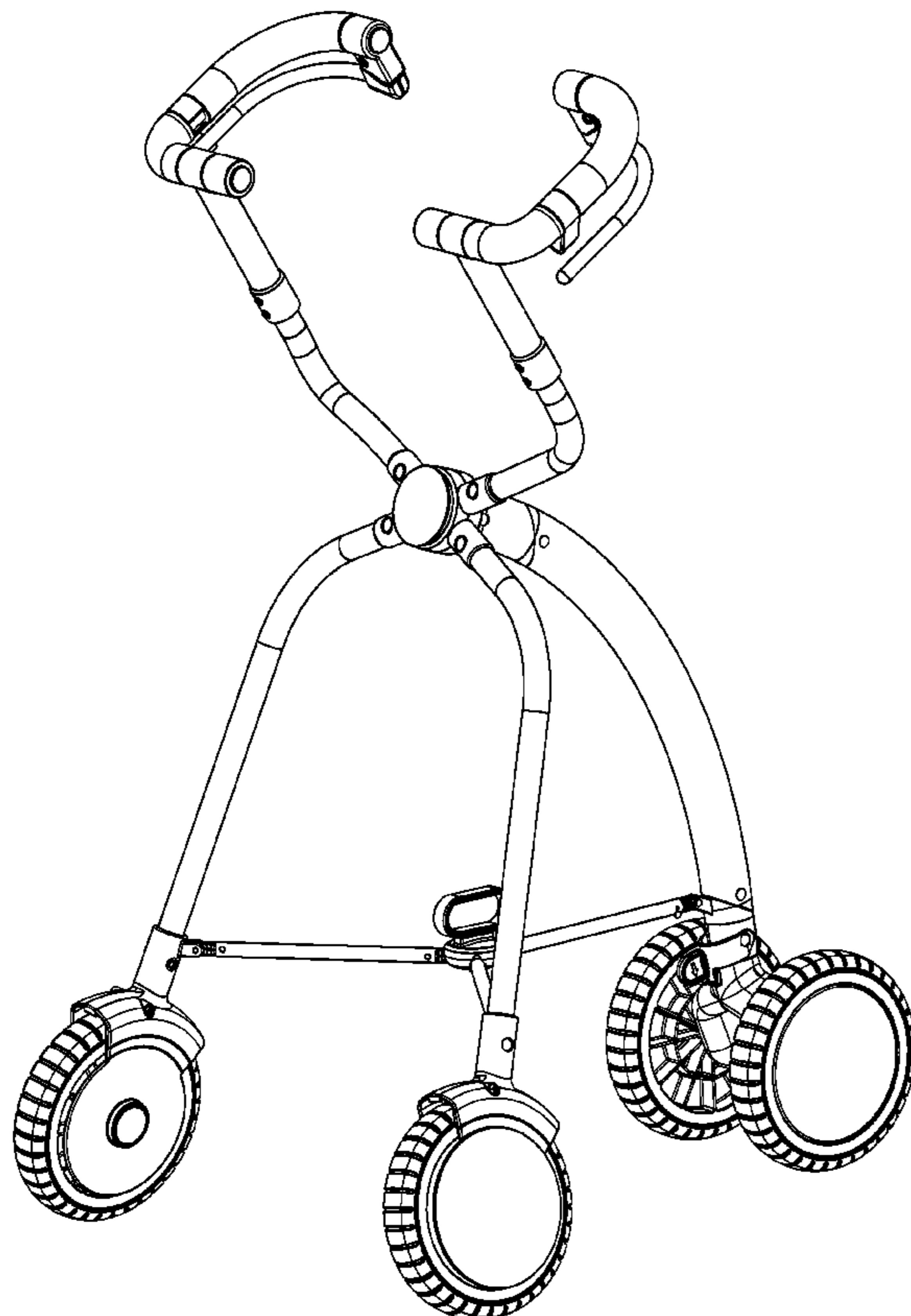


FIG.1

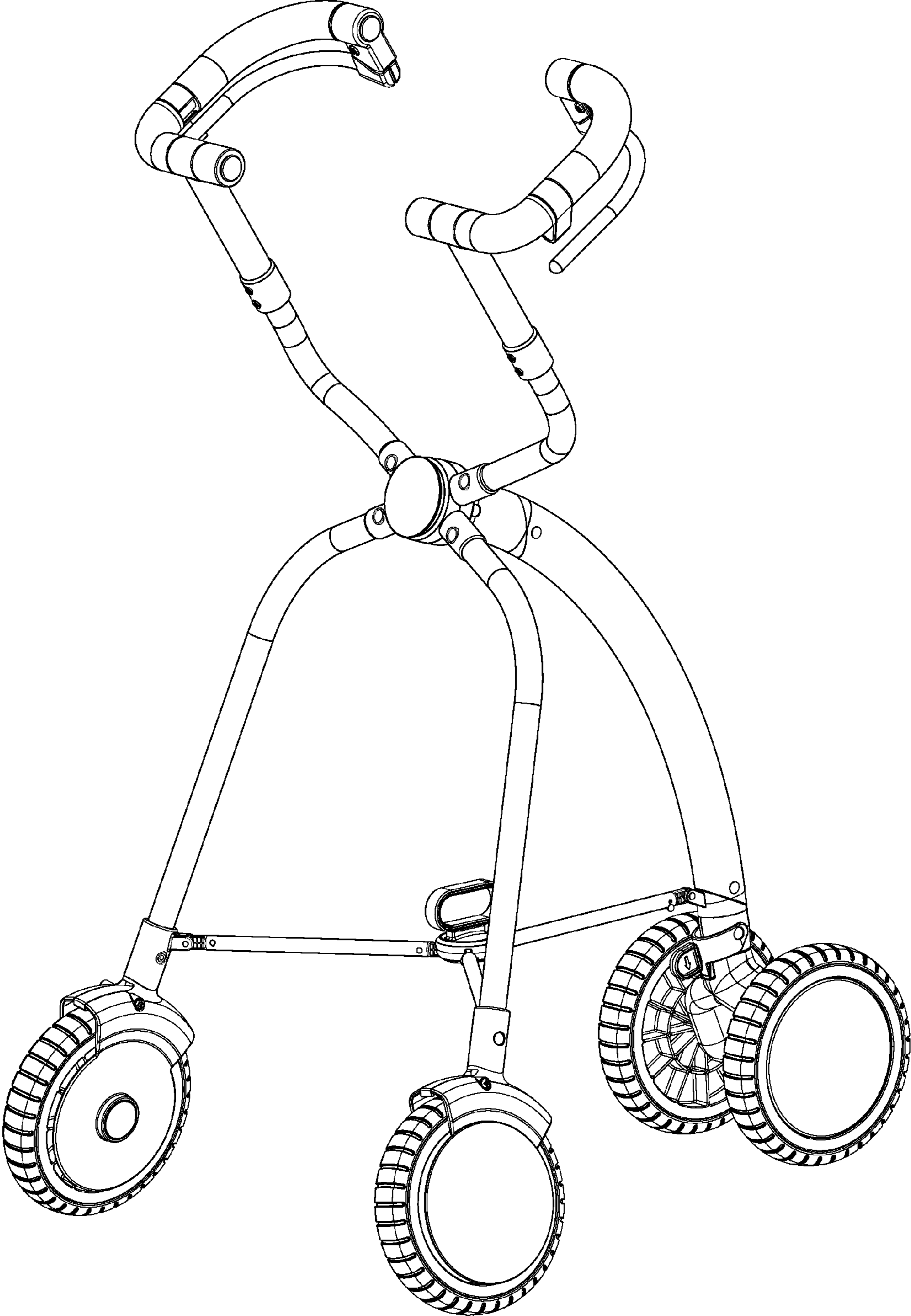


FIG.2

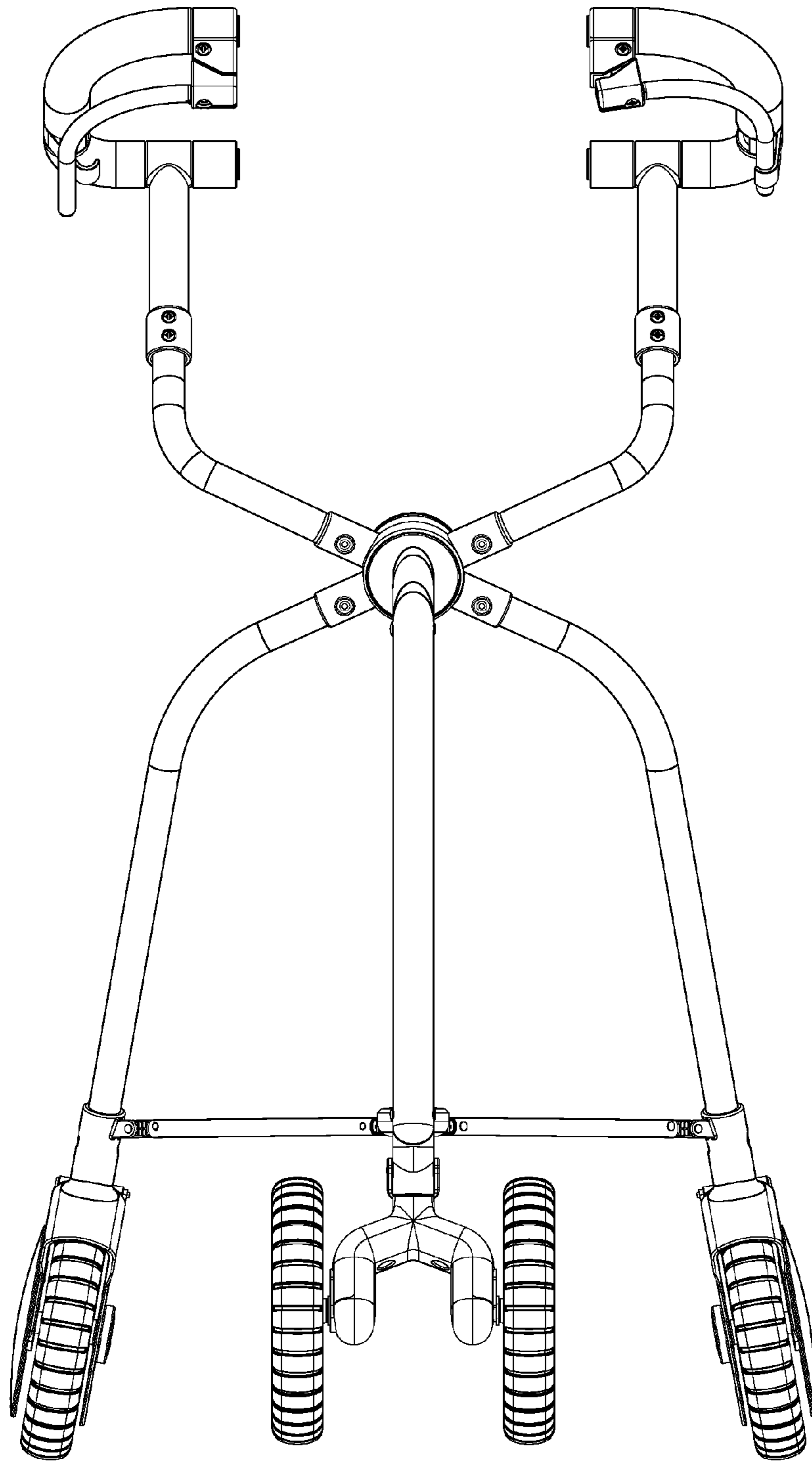


FIG.3

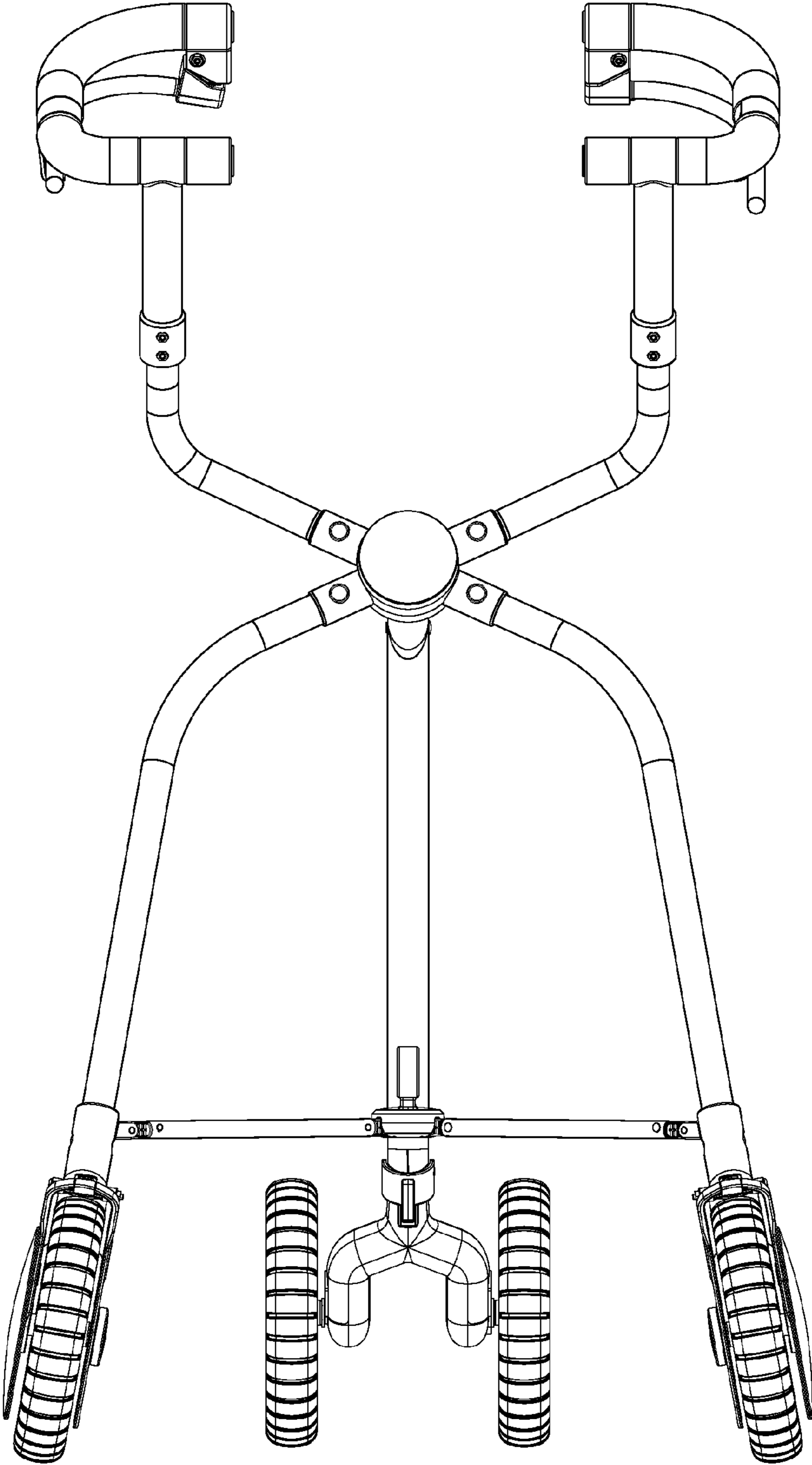




FIG.4

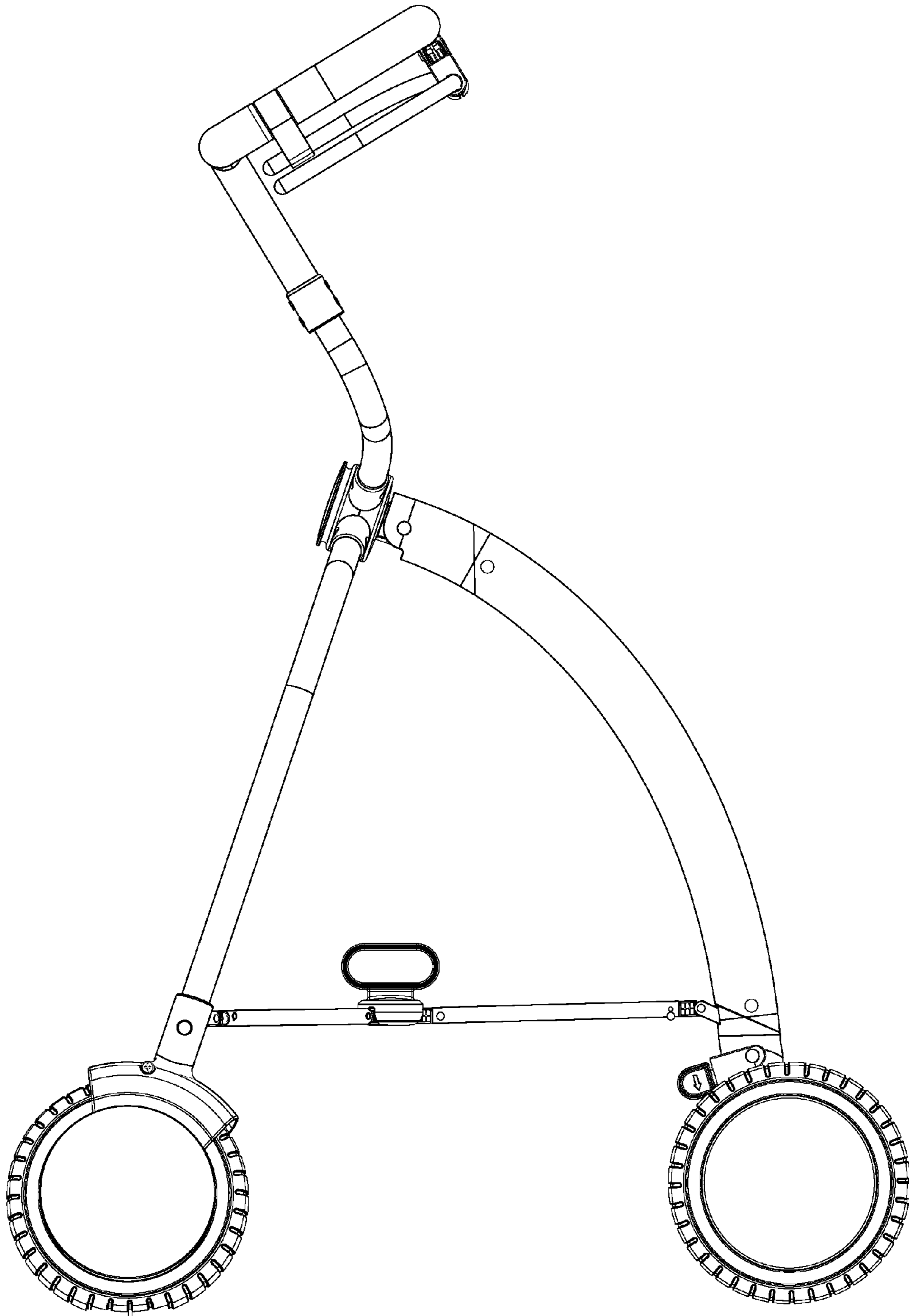


FIG.5

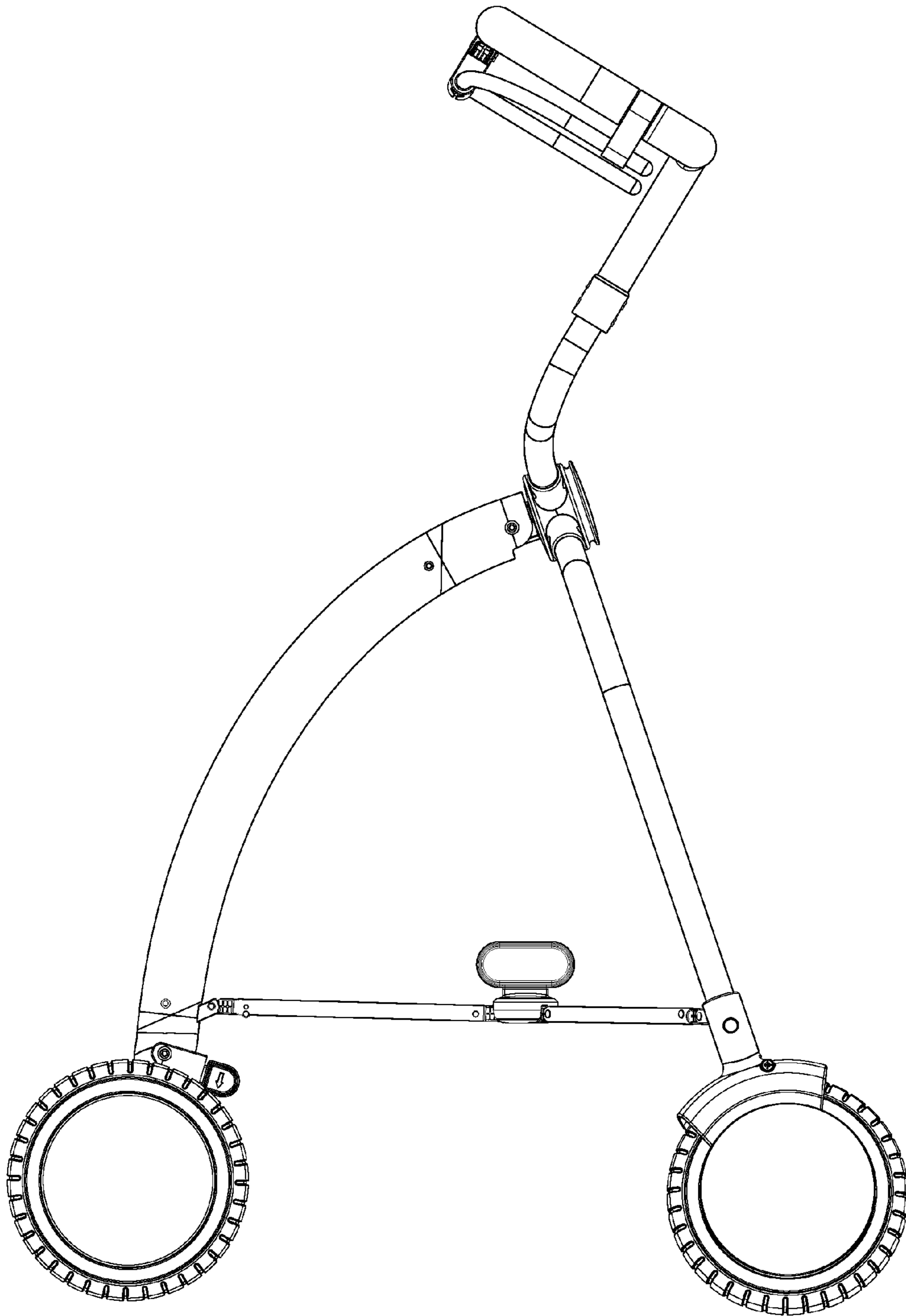


FIG.6

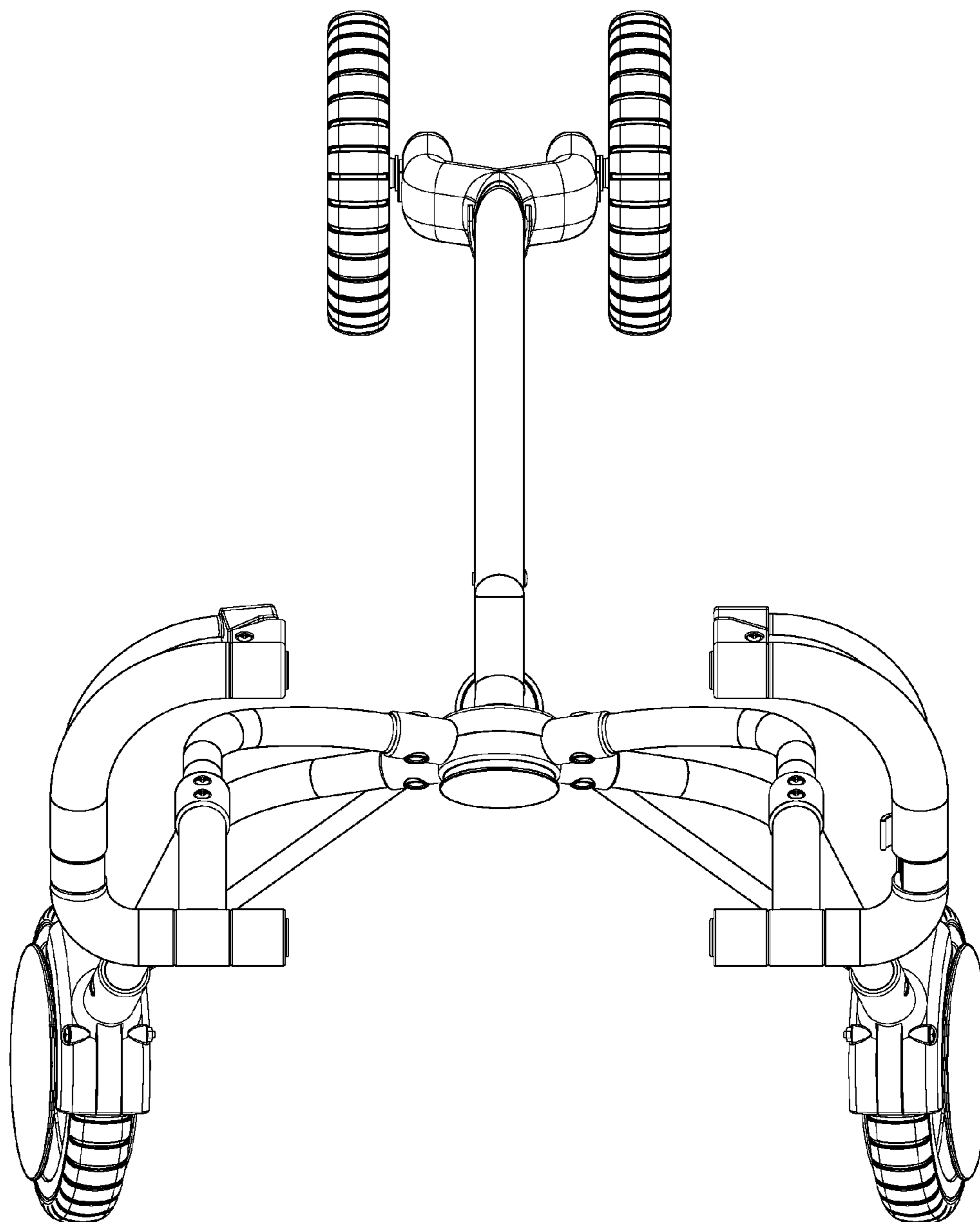


FIG.7

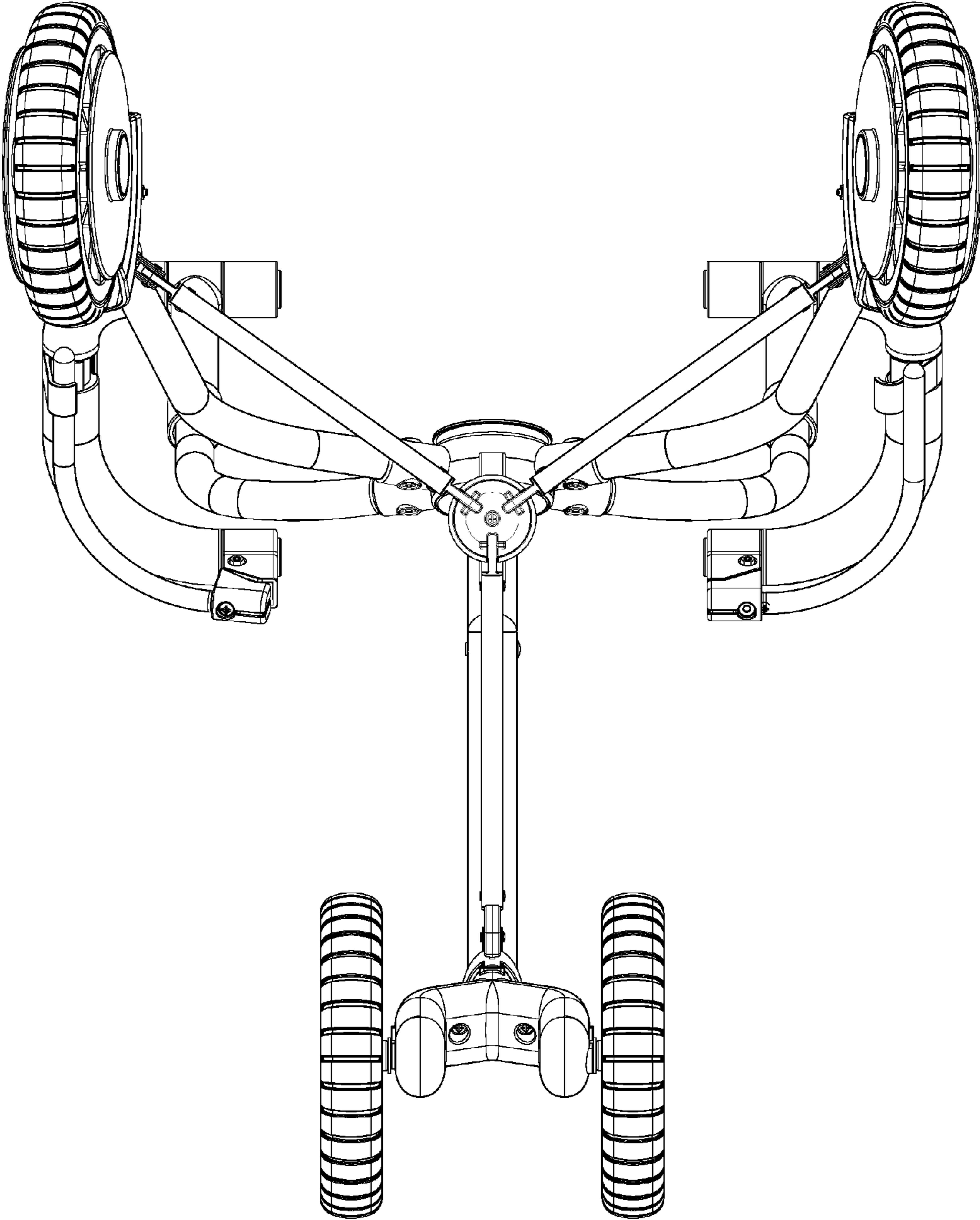




FIG.8

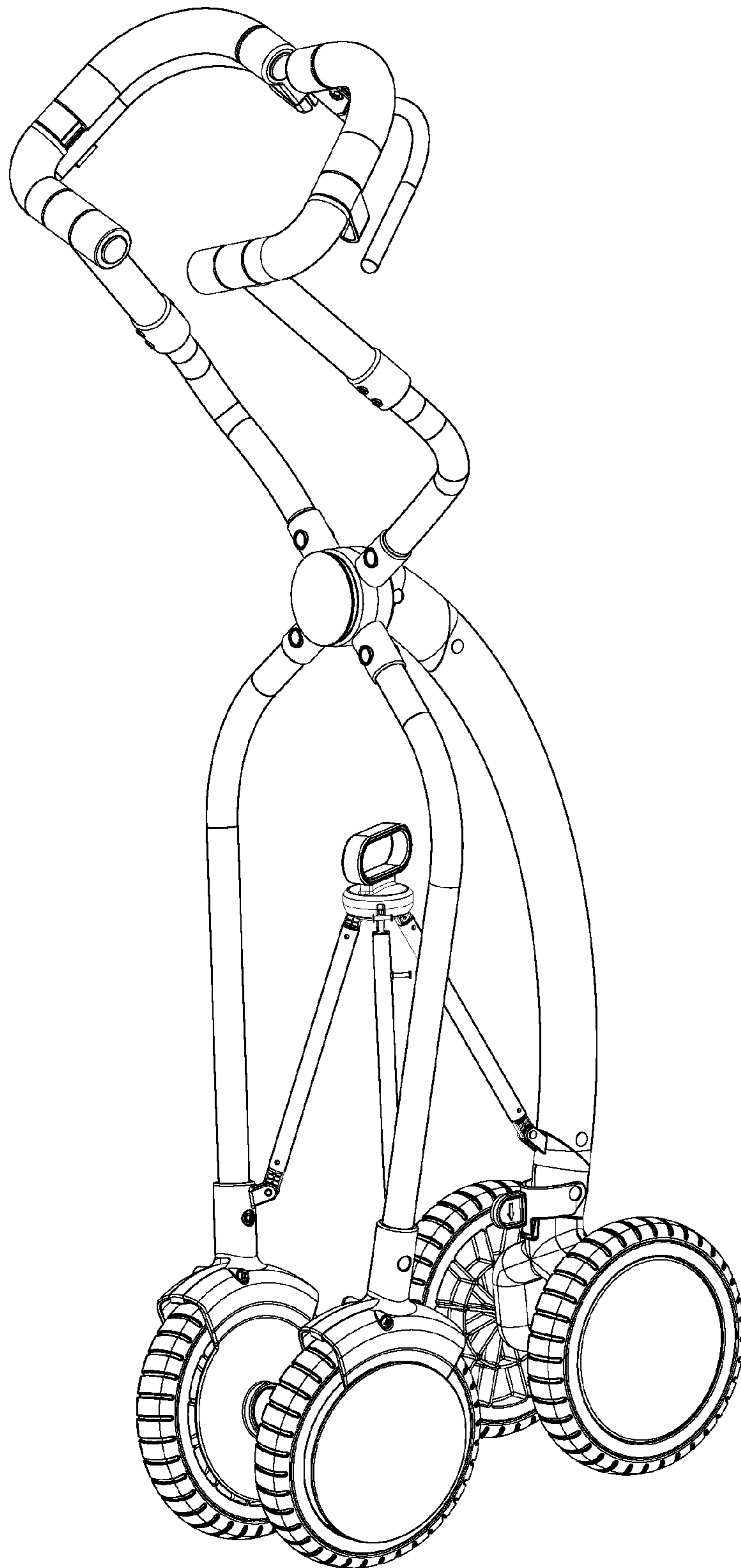


FIG.9

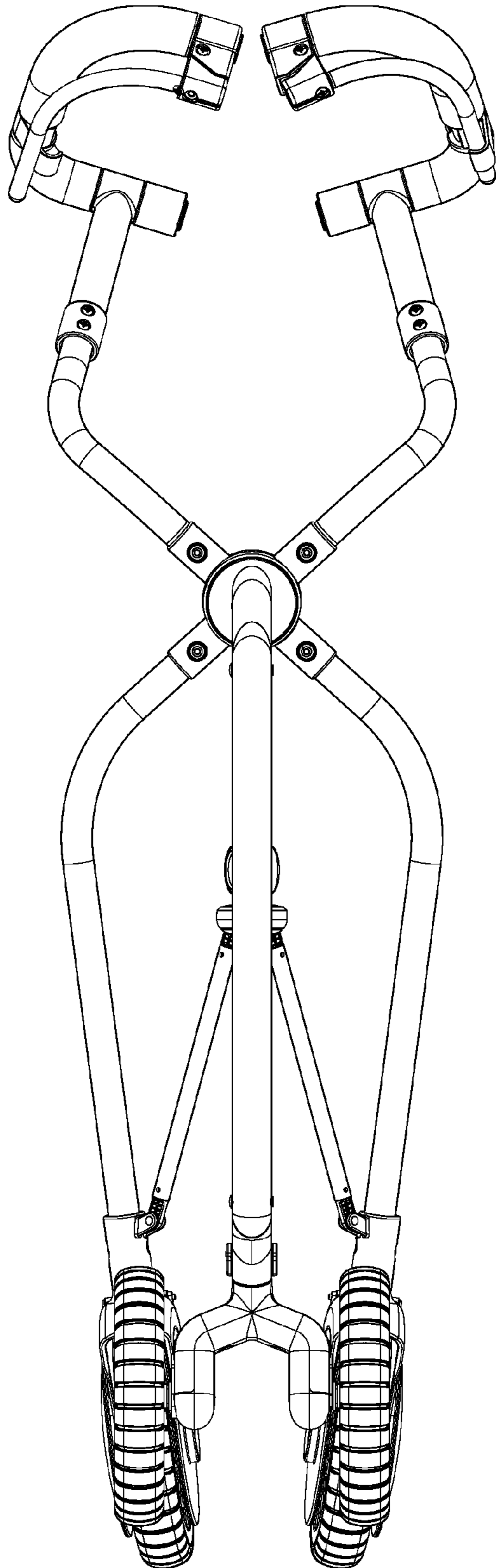


FIG.10

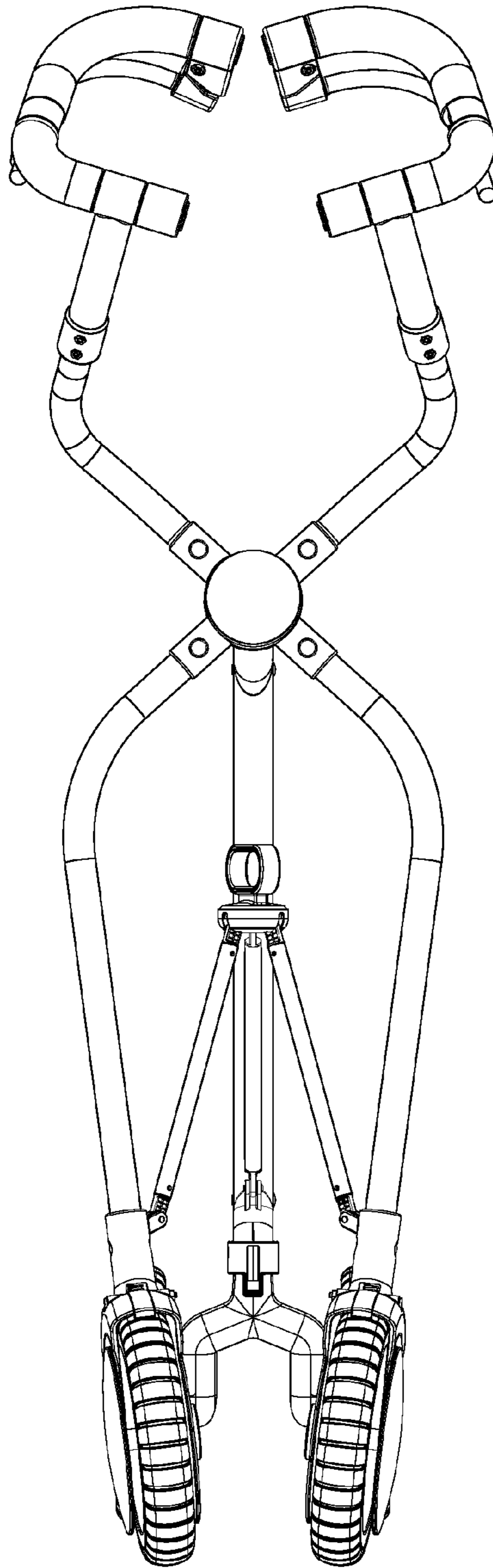


FIG.11

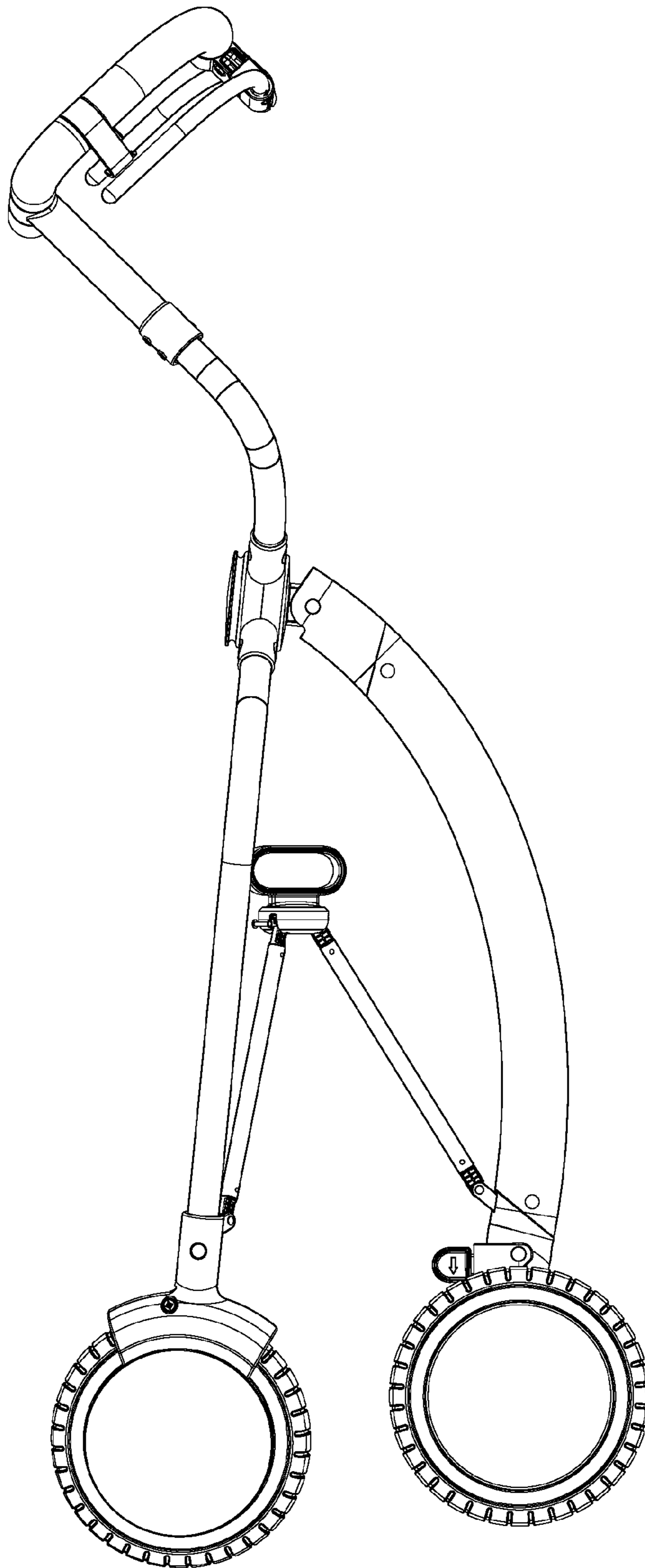




FIG.12

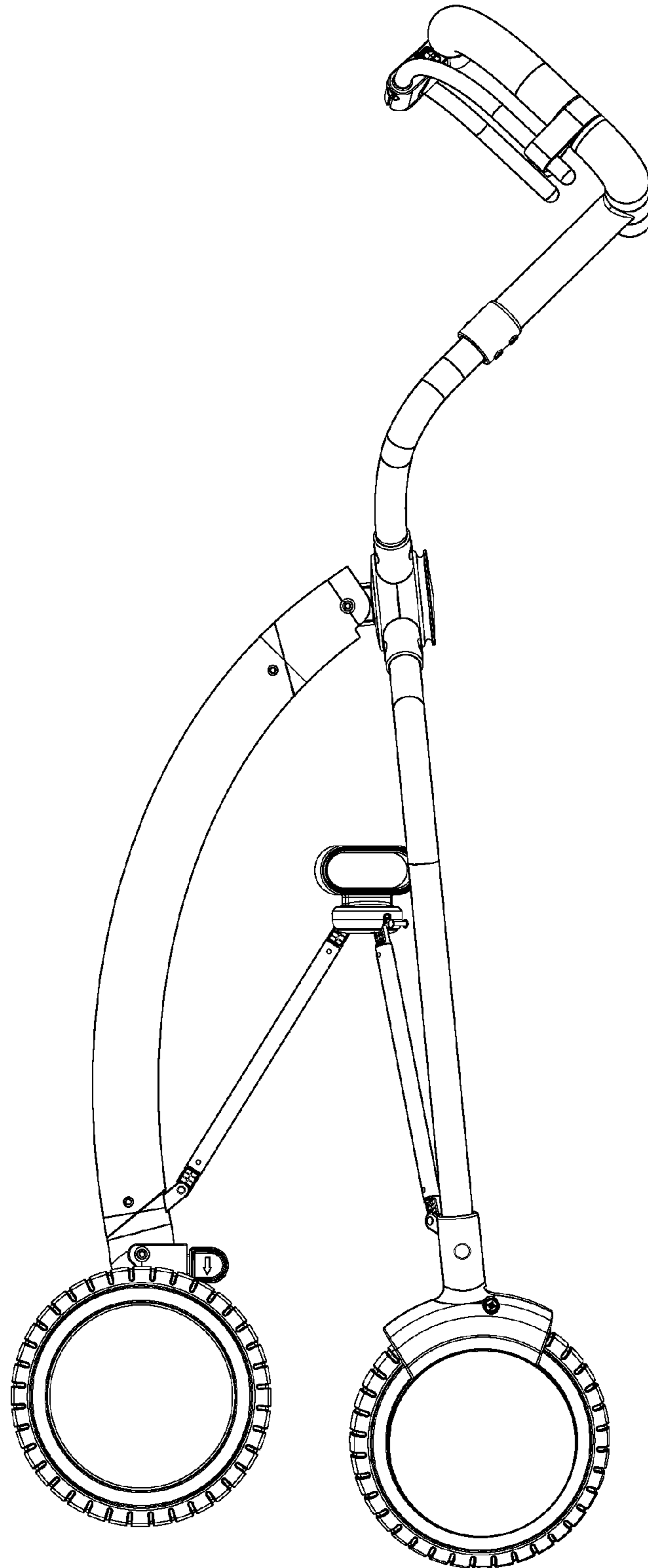


FIG.13

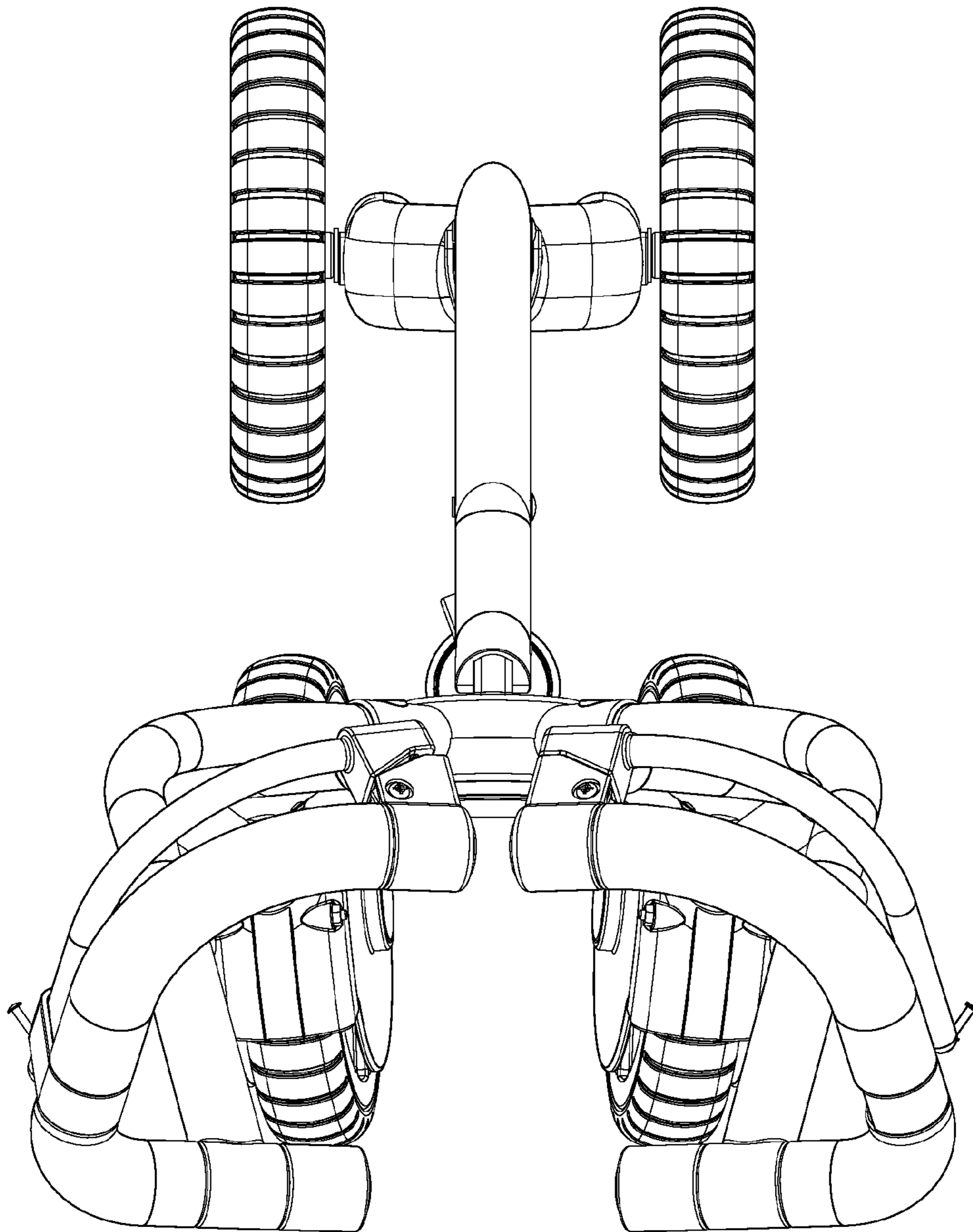


FIG.14

