



US00D636706S

(12) **United States Design Patent**
Ward

(10) **Patent No.:** **US D636,706 S**

(45) **Date of Patent:** **** Apr. 26, 2011**

(54) **AUTOMOBILE**

(75) **Inventor:** **Malcolm Ward**, Wiesbaden (DE)

(73) **Assignee:** **GM Global Technology Operations, Inc.**, Detroit, MI (US)

(**) **Term:** **14 Years**

(21) **Appl. No.:** **29/312,742**

(22) **Filed:** **Nov. 10, 2008**

(30) **Foreign Application Priority Data**

May 9, 2008 (EM) 000 931 563

(51) **LOC (9) Cl.** **12-08**

(52) **U.S. Cl.** **D12/92**

(58) **Field of Classification Search** D12/86,
D12/90-92, 88; D21/424, 433, 434; 296/181.1,
296/181.5

See application file for complete search history.

(56) **References Cited**

U.S. PATENT DOCUMENTS

D588,048 S * 3/2009 Wang et al. D12/91
D592,103 S * 5/2009 Lo D12/91
D594,384 S * 6/2009 Ward D12/92

D604,670 S * 11/2009 Nagura et al. D12/91
D608,690 S * 1/2010 Folden et al. D12/91
D608,691 S * 1/2010 Zak et al. D12/91
D609,608 S * 2/2010 Boniface et al. D12/92

* cited by examiner

Primary Examiner — Melody N Brown

(74) *Attorney, Agent, or Firm* — Abelman, Frayne & Schwab

(57) **CLAIM**

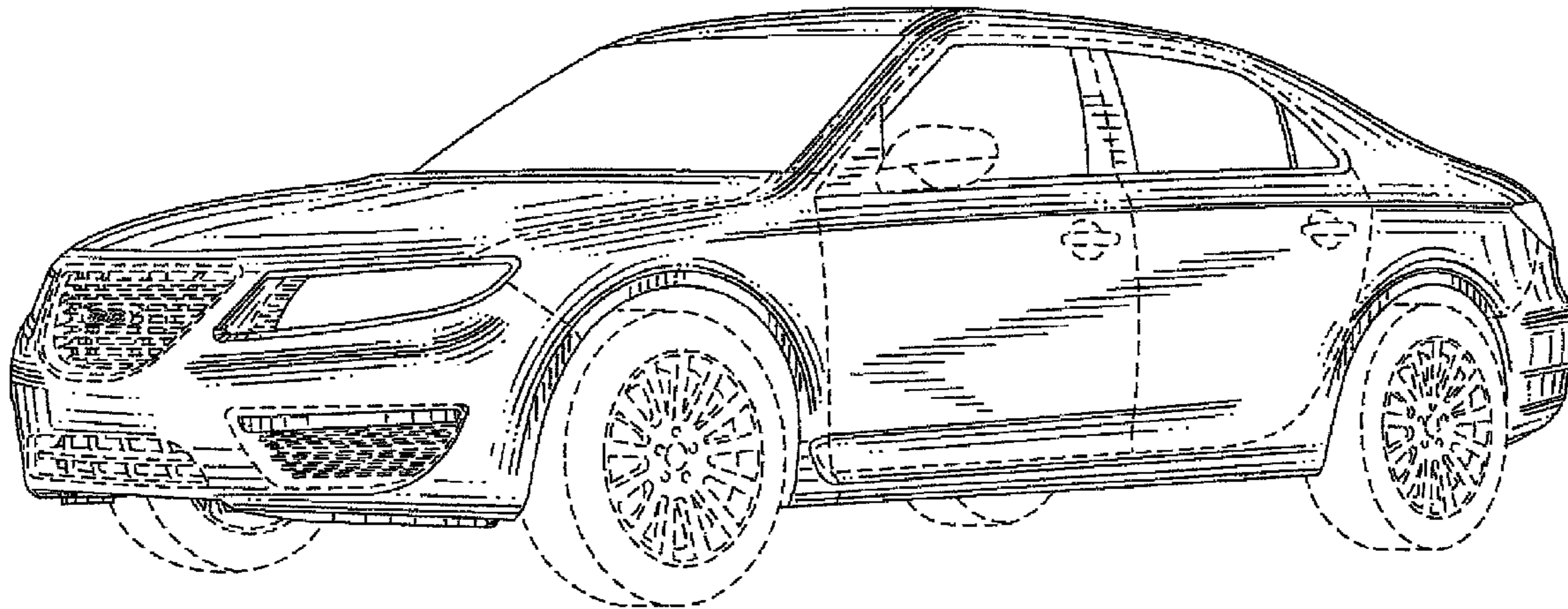
The ornamental design for an automobile, as shown and described.

DESCRIPTION

FIG. 1 is a right-side and front perspective view of an automobile showing my new design;
FIG. 2 is a rear and right-side perspective view thereof;
FIG. 3 is a front elevational view thereof;
FIG. 4 is a rear elevational view;
FIG. 5 is a right-side elevational view thereof;
FIG. 6 is a left-side elevational view thereof; and,
FIG. 7 is a top plan view thereof.

The portions of the vehicle shown in broken lines are for illustrative purposes only and form no part of the claimed design.

1 Claim, 7 Drawing Sheets



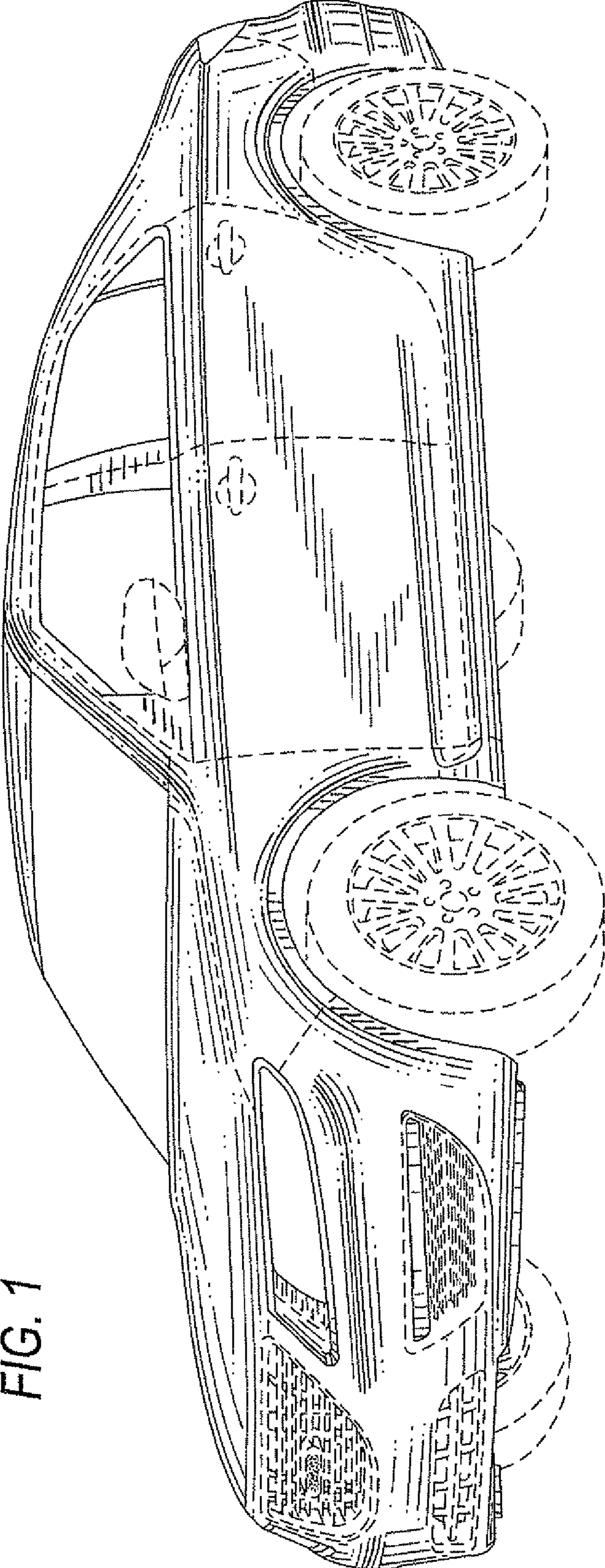
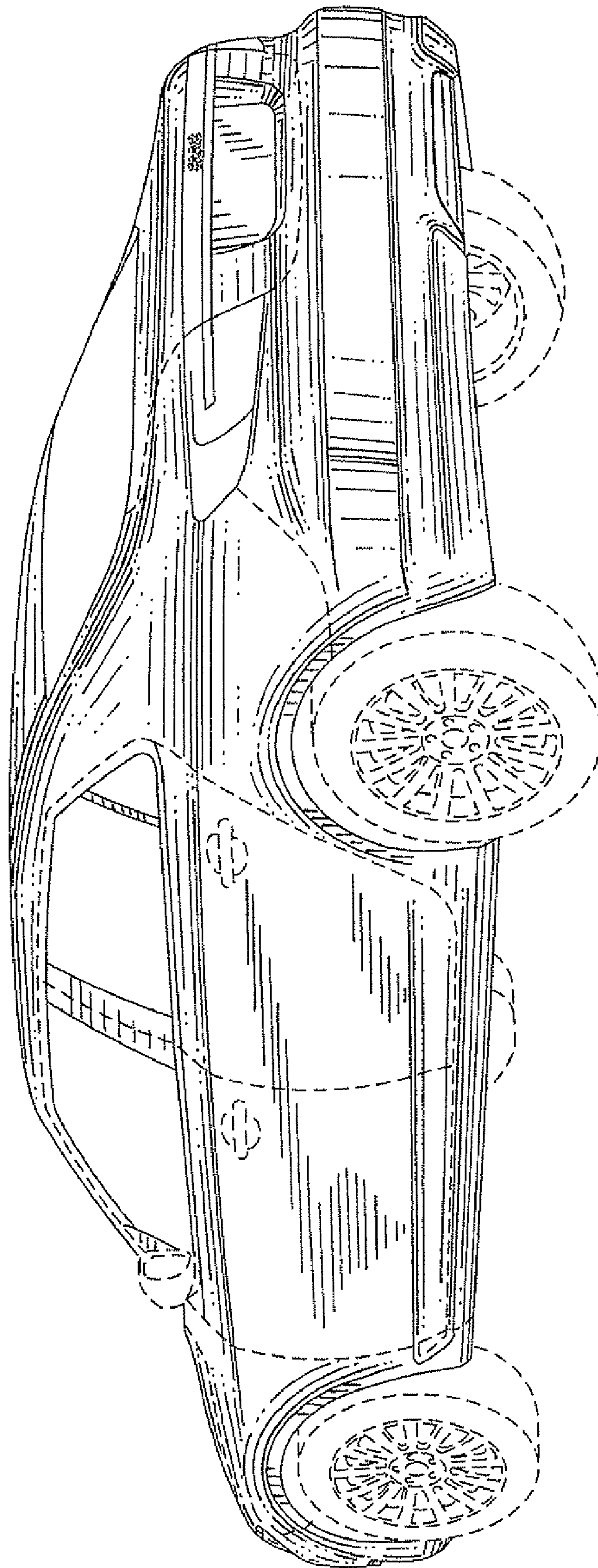


FIG. 1

FIG. 2



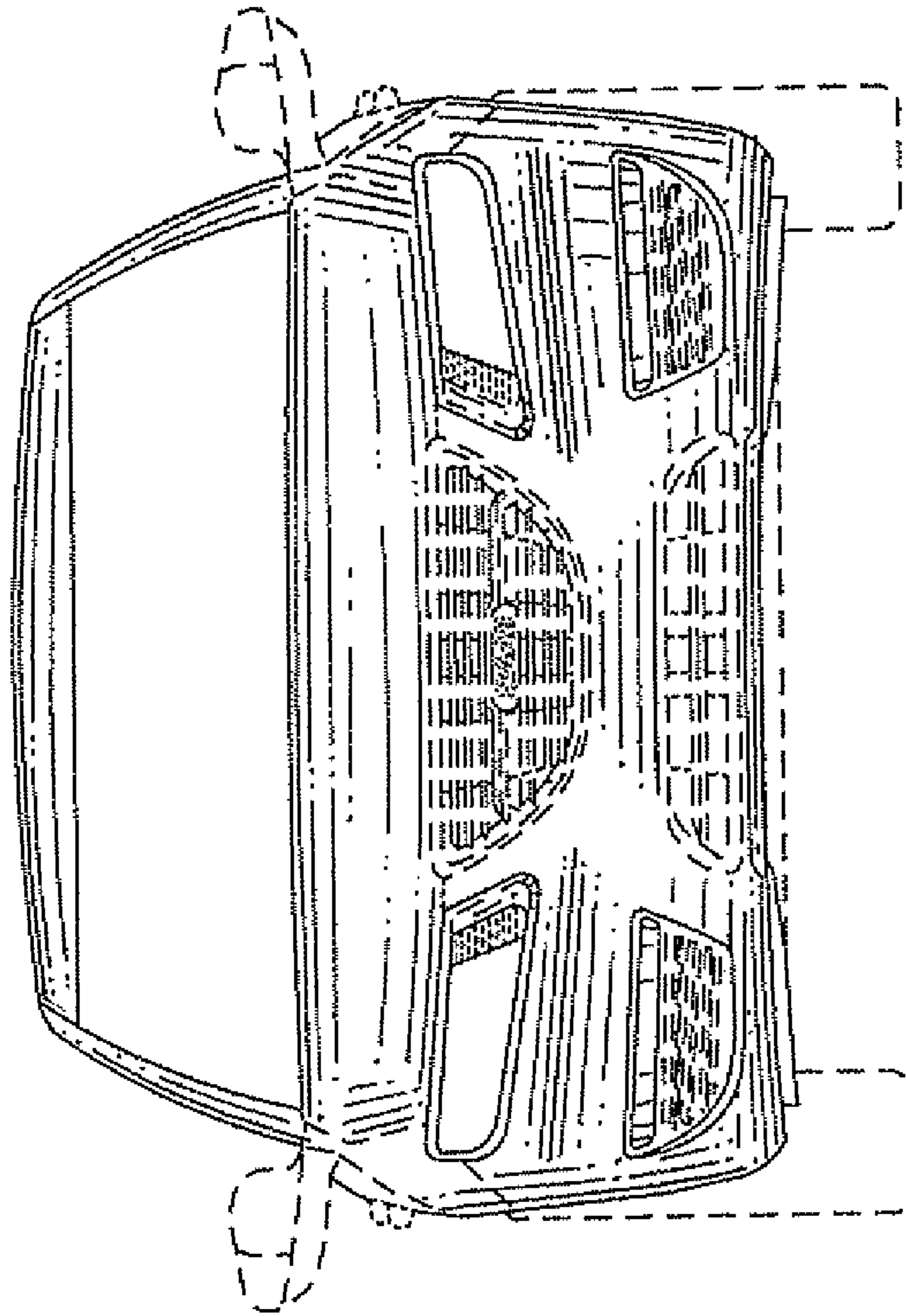


FIG. 3

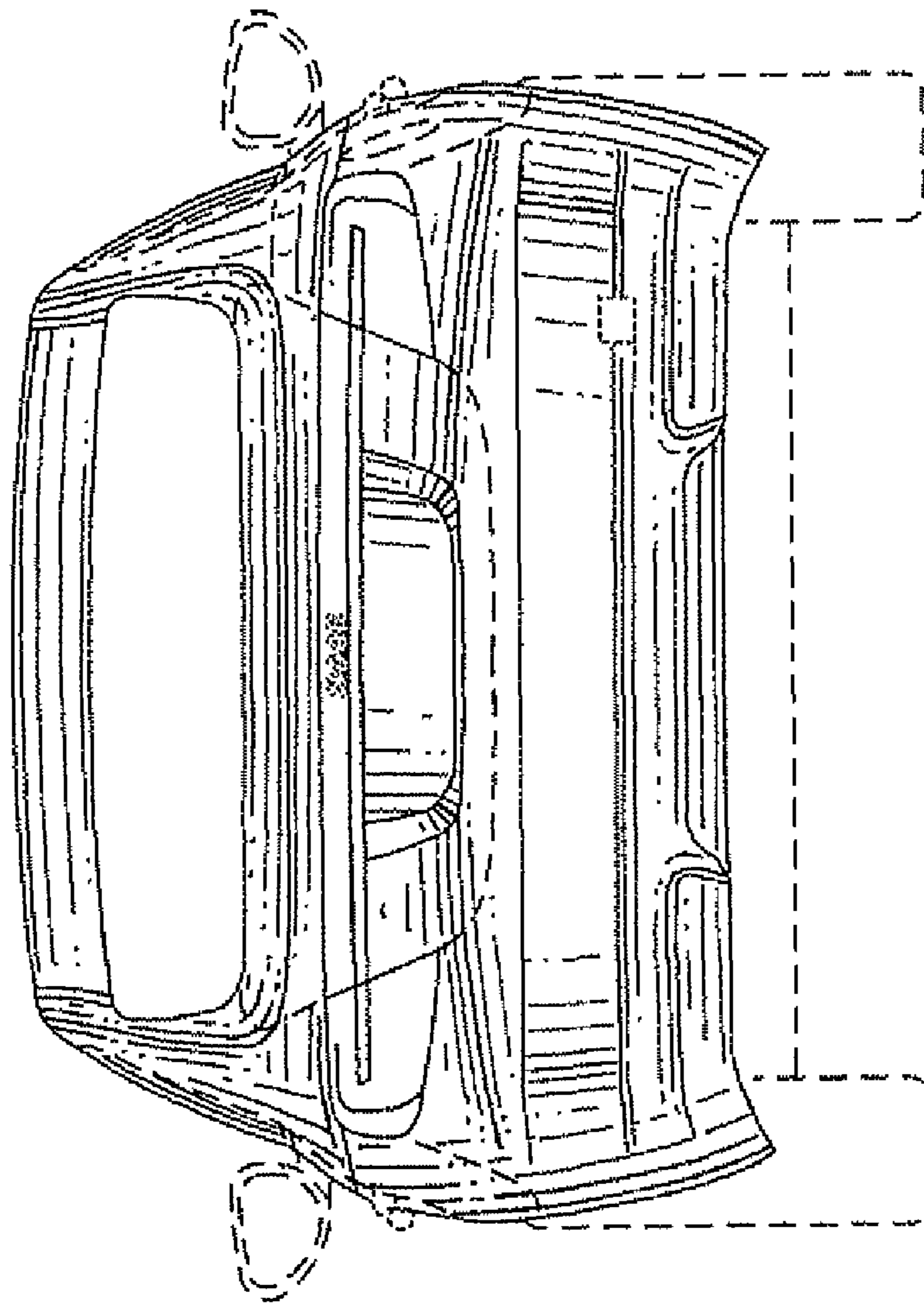


FIG. 4

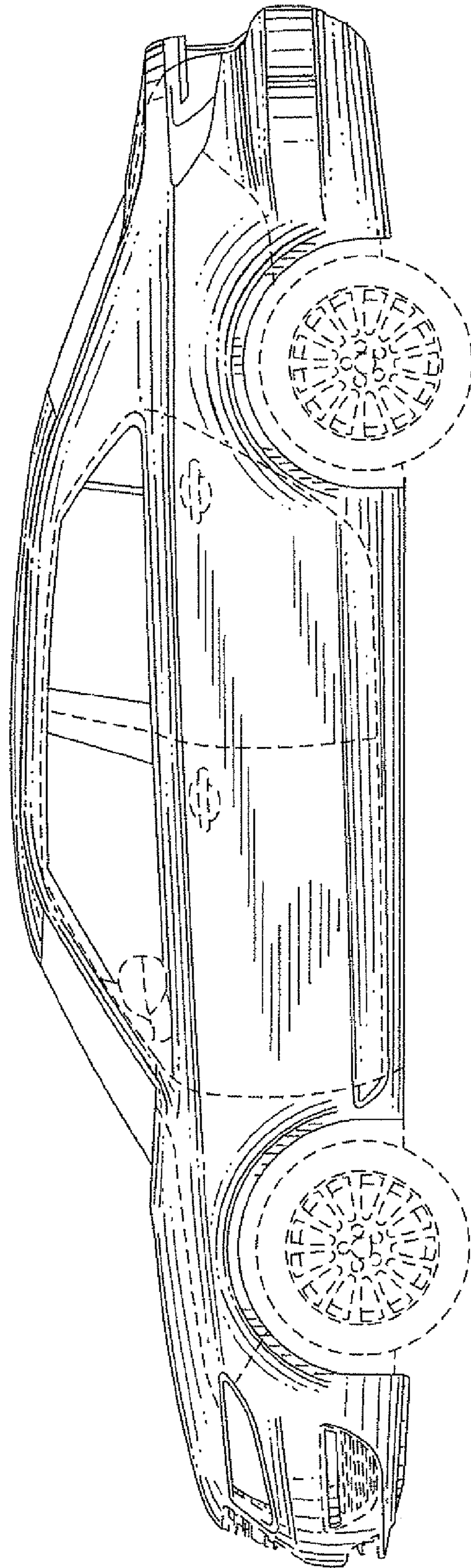


FIG. 5

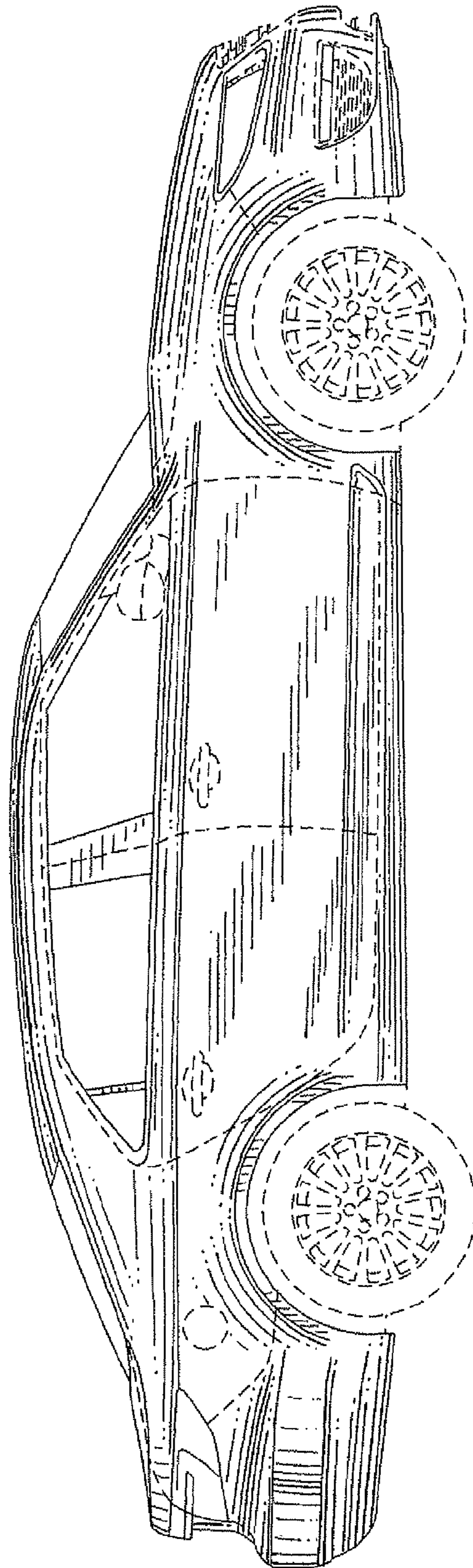


FIG. 6

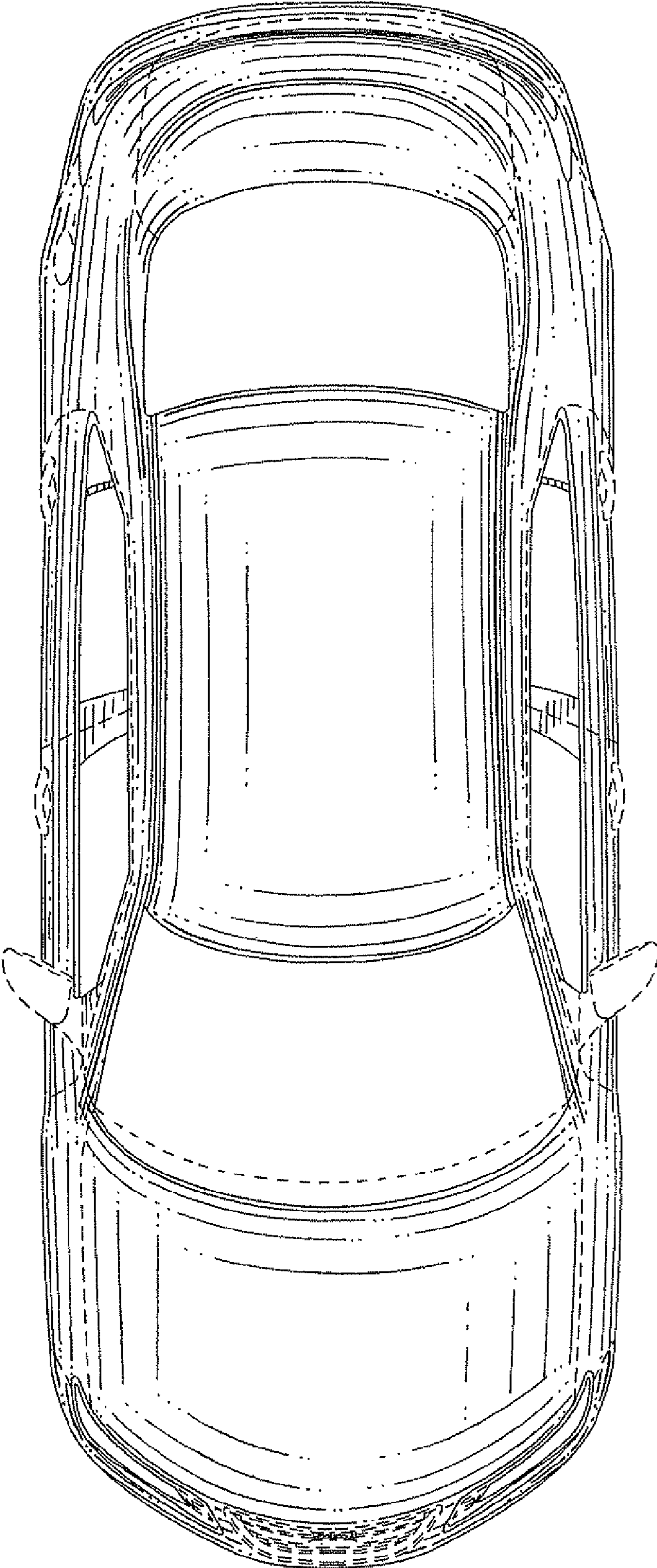


FIG. 7