



US00D636704S

(12) **United States Design Patent**
Yoo et al.

(10) **Patent No.:** **US D636,704 S**
(45) **Date of Patent:** **** Apr. 26, 2011**

(54) **AGRICULTURAL MULTI-OBJECTIVE
POWER CART**

(75) Inventors: **Won Seok Yoo**, Gyeongsangnam-do (KR); **Jung Lul Back**, Gyeongsangnam-do (KR); **Soon Yeol Kim**, Gyeongsangnam-do (KR)

(73) Assignee: **Daedong Industrial Co., Ltd.**, Daegu (KR)

(**) Term: **14 Years**

(21) Appl. No.: **29/342,529**

(22) Filed: **Aug. 26, 2009**

(30) **Foreign Application Priority Data**

Jul. 3, 2009 (KR) 30-2009-29468

(51) **LOC (9) Cl.** **12-14**

(52) **U.S. Cl.** **D12/1; D12/14**

(58) **Field of Classification Search** D12/87, D12/86, 1, 433, 15, 16, 107, 82, 88, 89, 90, D12/91, 92, 93; D15/30; D21/803; 180/233, 180/908; 280/DIG. 5, 183, 184, 185, 186, 280/28, 37.7

See application file for complete search history.

(56) **References Cited**

U.S. PATENT DOCUMENTS

D422,938 S * 4/2000 Molzon et al. D12/1
D427,109 S * 6/2000 Molzon et al. D12/1
D436,557 S * 1/2001 Selby et al. D12/14
D439,548 S * 3/2001 Kouchi et al. D12/1
6,523,879 B2 * 2/2003 Mizuta 296/71
D494,890 S * 8/2004 Katoh D12/14
D503,657 S * 4/2005 Katoh D12/14
D511,317 S * 11/2005 Tanaka et al. D12/1
D521,413 S * 5/2006 Katoh D12/1

D578,934 S * 10/2008 Tanaka et al. D12/14
2004/0222032 A1 * 11/2004 Nakatani et al. 180/367
2005/0037892 A1 * 2/2005 Nakatani et al. 477/120
2007/0210617 A1 * 9/2007 Nakamura 296/190.08
2008/0084082 A1 * 4/2008 Nakamura et al. 296/37.15
2008/0084091 A1 * 4/2008 Nakamura et al. 296/190.08

* cited by examiner

Primary Examiner — T. Chase Nelson

Assistant Examiner — Ania K Dworzecka

(74) *Attorney, Agent, or Firm* — LRK Patent Law Firm

(57) **CLAIM**

The ornamental design for an agricultural multi-objective power cart, as shown and described.

DESCRIPTION

FIG. 1 is a perspective view of the agricultural multi-objective power cart of my new design;

FIG. 2 is a front elevational view thereof;

FIG. 3 is a rear elevational view thereof;

FIG. 4 is a left side elevational view thereof;

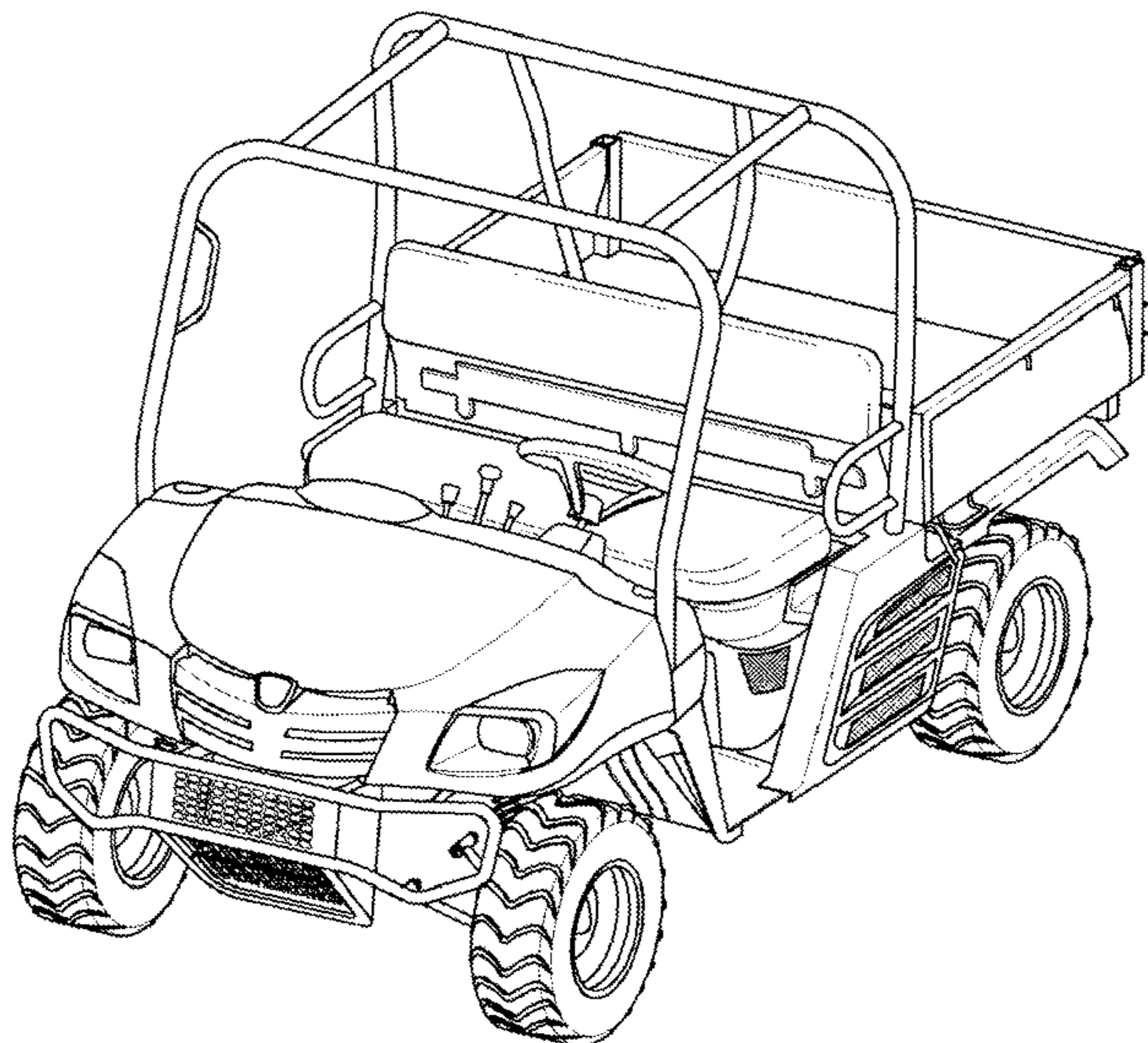
FIG. 5 is a right side elevational view thereof; and,

FIG. 6 is a top plan view thereof.

The portions of the vehicle shown in broken lines are for illustrative purposes only and form no part of the claimed design.

The agricultural multi-objective power cart of this design is a power vehicle which can load and transfer goods something like agricultural products and workers in agriculture environment like a dirt road or a field in which it is difficult for general vehicles to enter or operate. A front part of engine bonnet comprises head-light and air venting, a middle part of engine bonnet comprises a driver's seat and a frame structure for preventing from overthrow, a rear part of engine bonnet comprises a cargo box. Especially, left/right body panel of seat in the middle part comprises a grill for smoothly cooling of powering part.

1 Claim, 6 Drawing Sheets



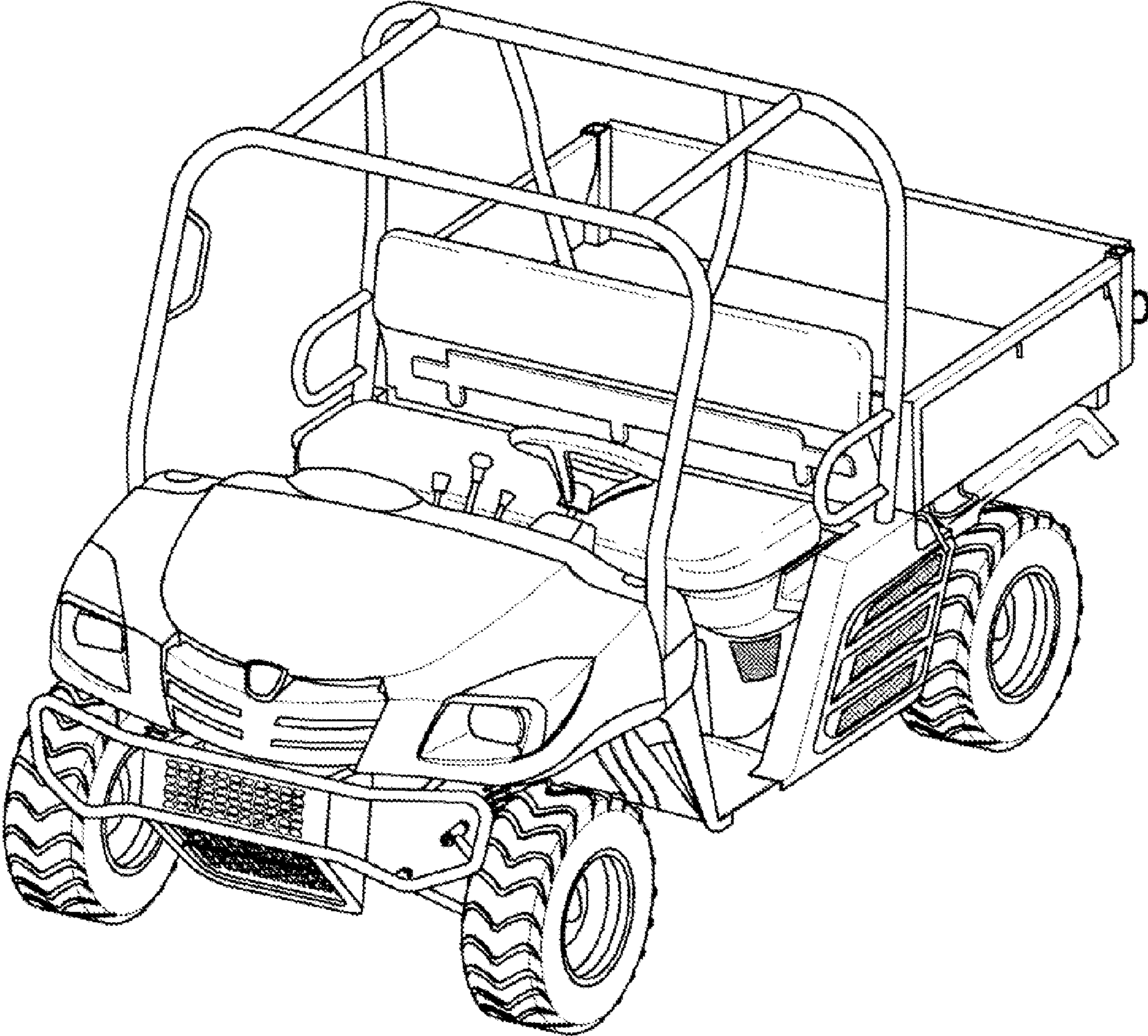


FIG. 1

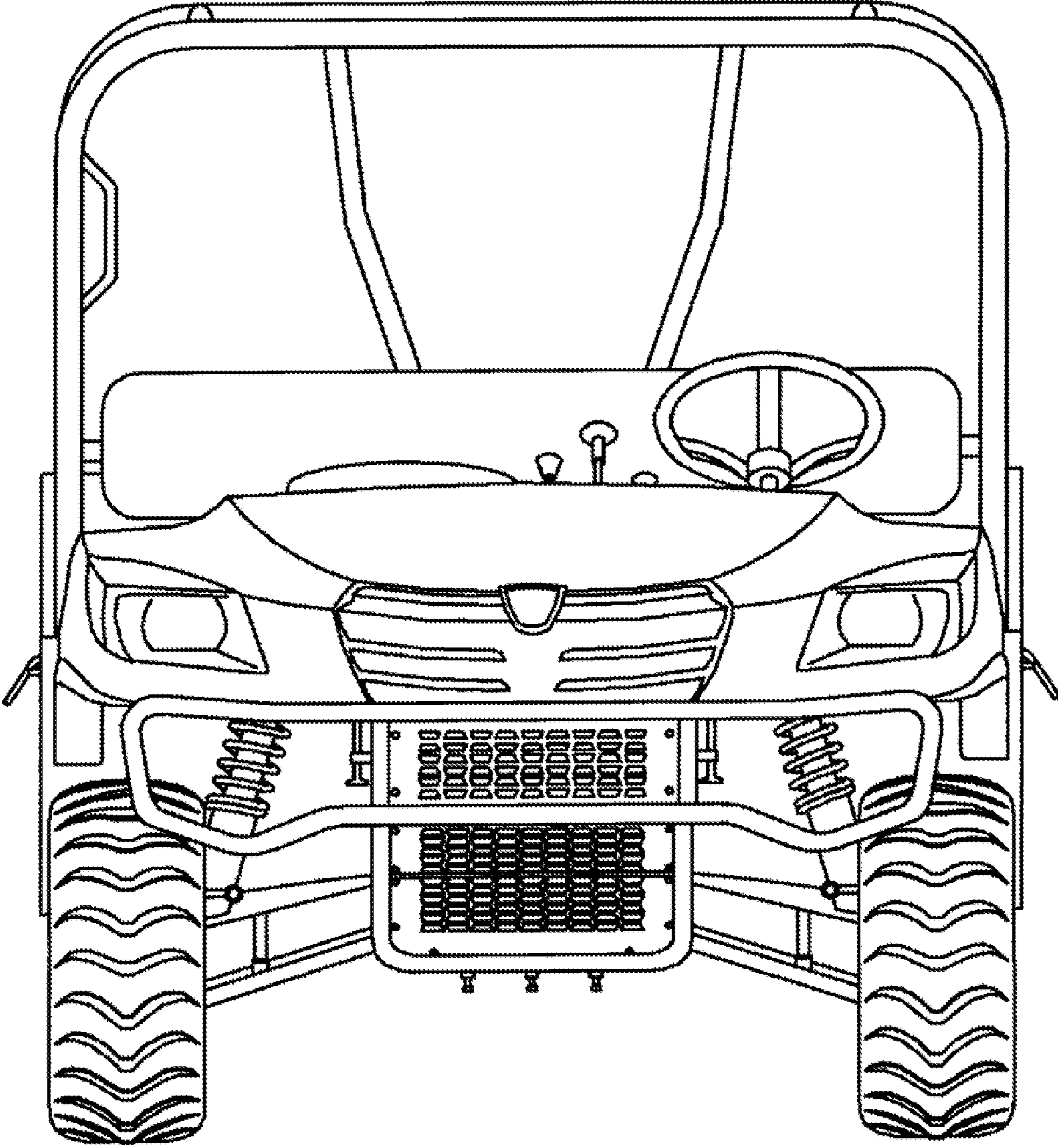


FIG. 2

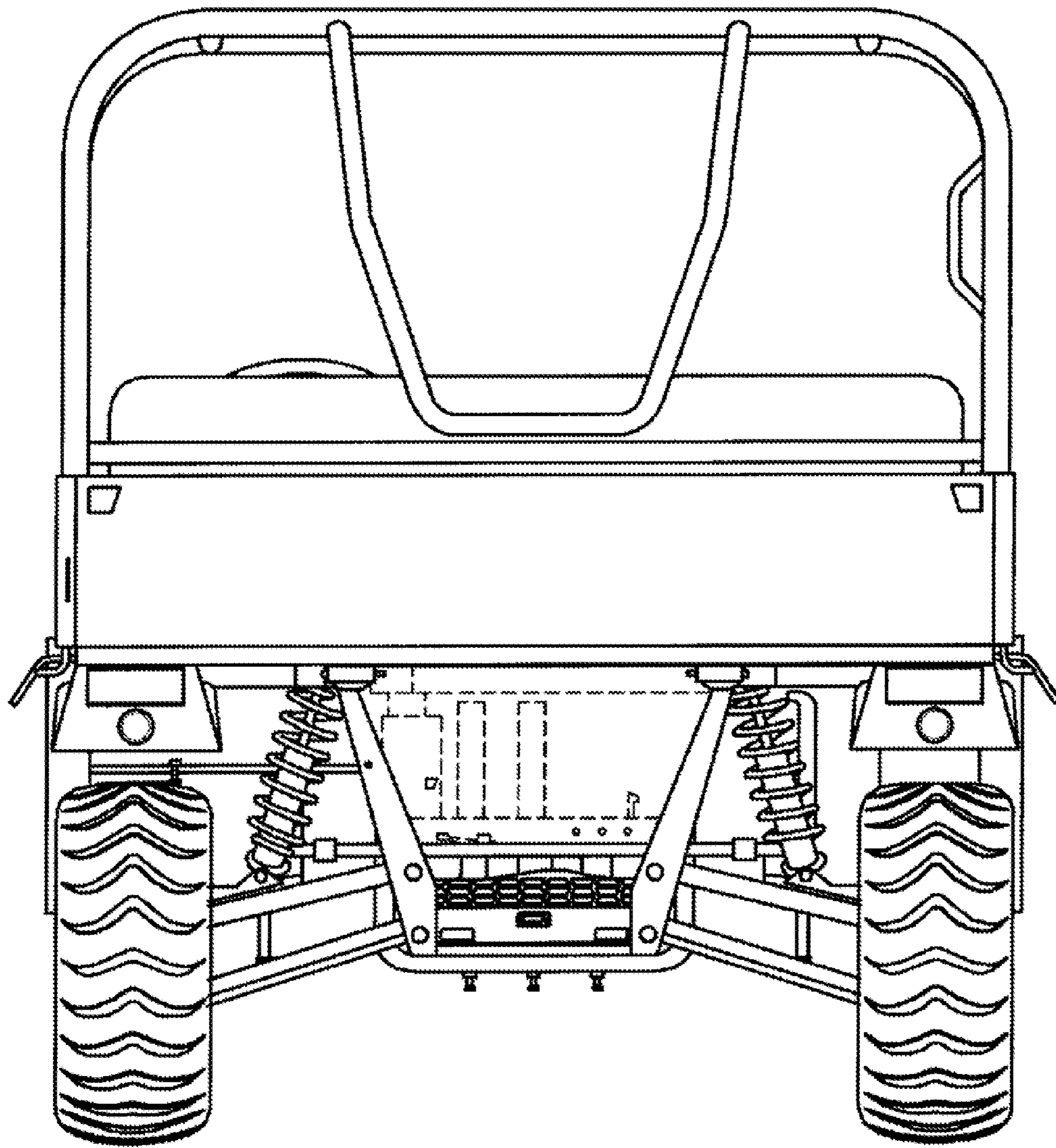


FIG. 3

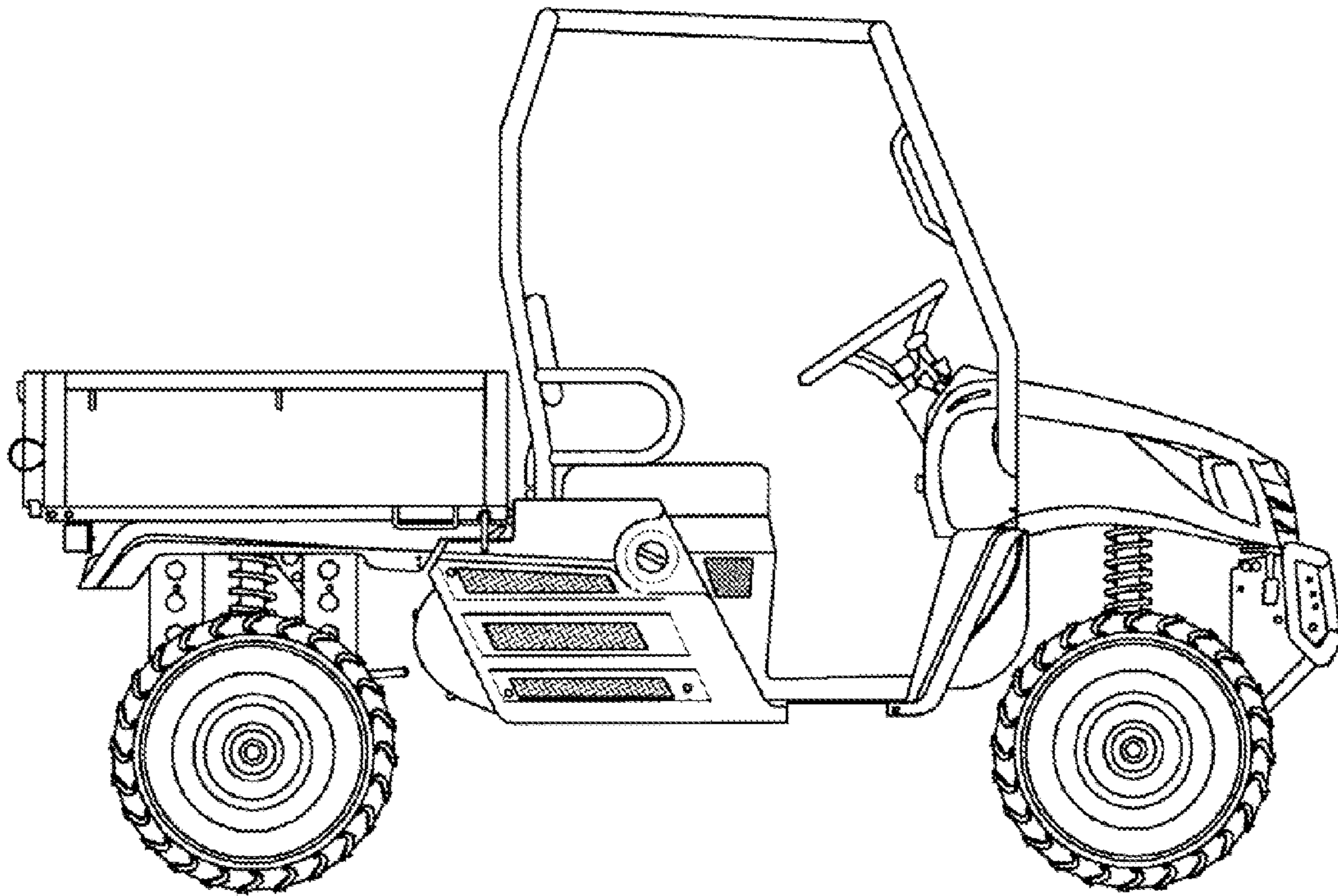


FIG. 4

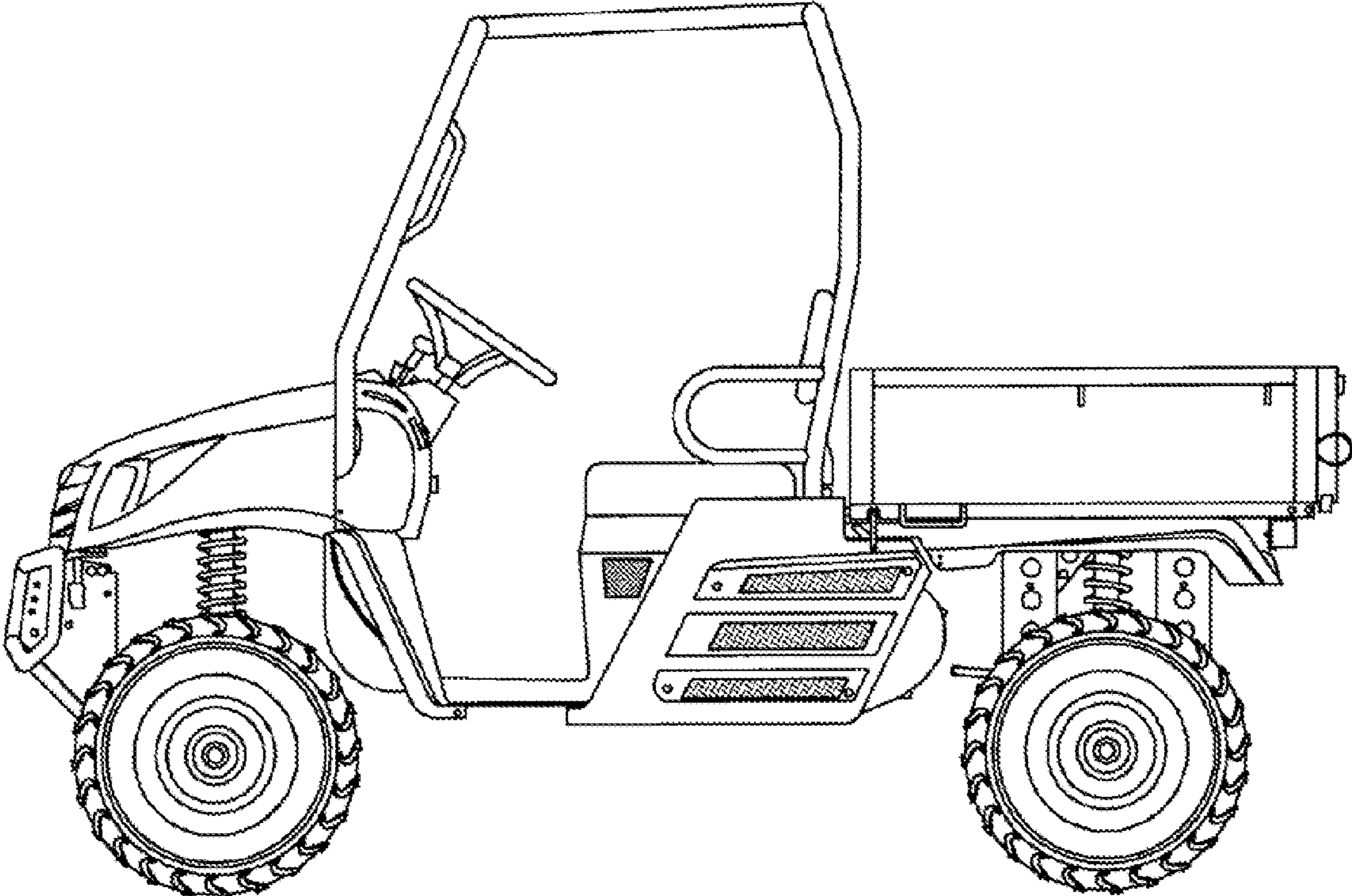


FIG. 5

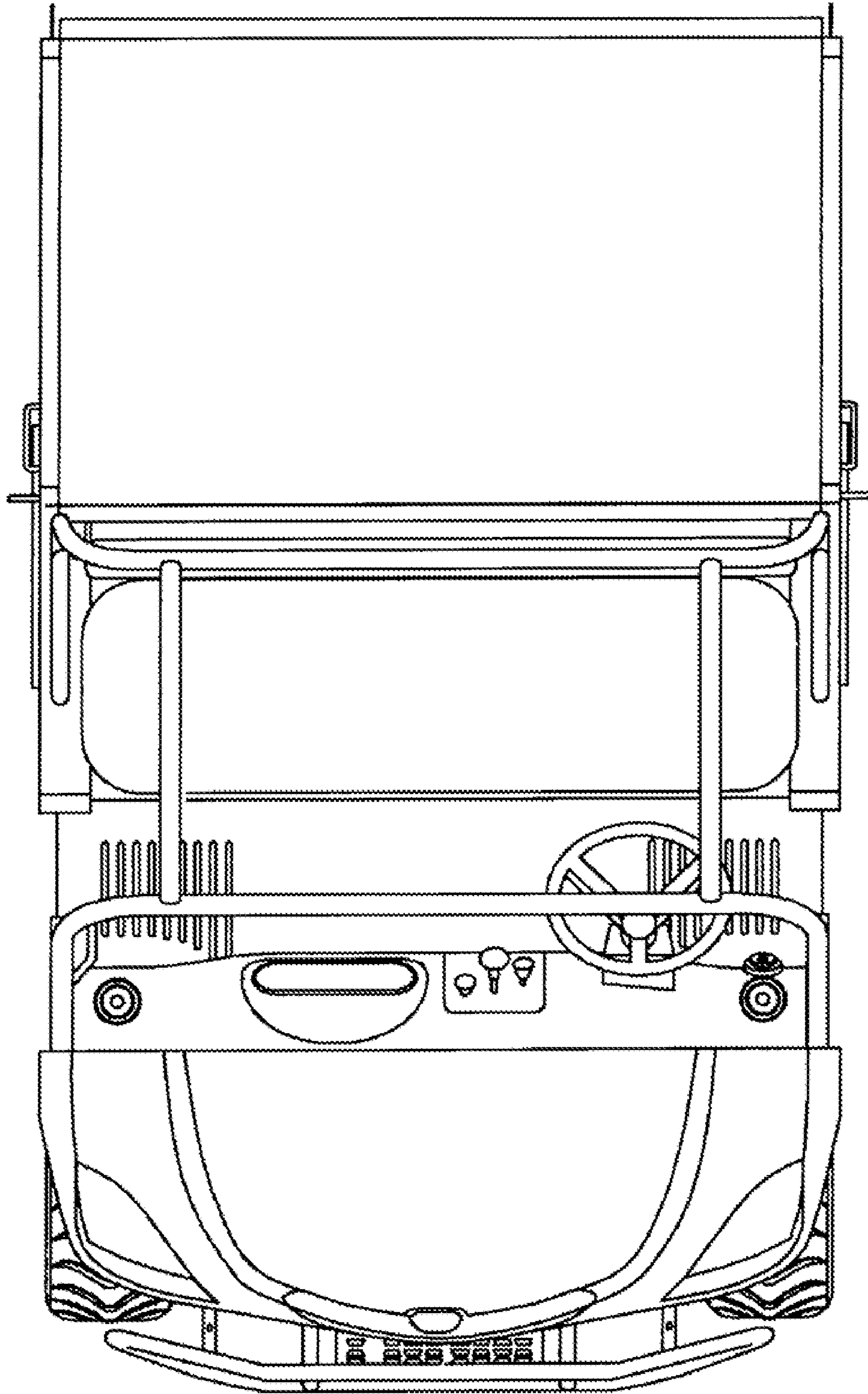


FIG. 6