



US00D636700S

(12) **United States Design Patent**
White

(10) **Patent No.:** **US D636,700 S**

(45) **Date of Patent:** **** Apr. 26, 2011**

(54) **POT**

(75) **Inventor:** **Scott White**, Toronto (CA)

(73) **Assignee:** **CTI International Limited**, Toronto, Ontario (CA)

(**) **Term:** **14 Years**

(21) **Appl. No.:** **29/347,699**

(22) **Filed:** **Apr. 13, 2010**

(51) **LOC (9) Cl.** **11-02**

(52) **U.S. Cl.** **D11/148**

(58) **Field of Classification Search** D6/403-405,
D6/556-558; D8/1; D11/143-156, 164;
D19/77, 80, 81; D26/9-11, 16; D34/1, 2,
D34/4-6; D99/5, 19; 47/32.4, 32.5, 32.7,
47/33, 41.01, 41.1, 41.11-41.15, 44-47,
47/65, 65.5, 65.9, 66.6, 66.7, 67-71
See application file for complete search history.

(56) **References Cited**

U.S. PATENT DOCUMENTS

| | | | | |
|--------------|--------|---------|-------|---------|
| D109,069 S * | 3/1938 | Matassa | | D11/152 |
| D301,958 S * | 7/1989 | Zivin | | D7/603 |
| D395,411 S * | 6/1998 | Grebert | | D11/153 |
| D536,277 S * | 2/2007 | Cabeza | | D11/152 |

| | | | | |
|-------------------|--------|----------------|-------|---------|
| D587,166 S * | 2/2009 | White | | D11/152 |
| D611,876 S * | 3/2010 | White | | D11/148 |
| D611,877 S * | 3/2010 | White | | D11/148 |
| D614,991 S * | 5/2010 | White | | D11/152 |
| 2006/0032130 A1 * | 2/2006 | Liffers et al. | | 47/67 |

* cited by examiner

Primary Examiner — Garth Rademaker

(74) *Attorney, Agent, or Firm* — Riches, McKenzie & Herbert LLP

(57) **CLAIM**

I claim the ornamental design for a pot, as shown and described.

DESCRIPTION

FIG. 1—is a perspective view of a pot showing my new design;
FIG. 2—is a top plan view thereof;
FIG. 3—is a bottom plan view thereof;
FIG. 4—is a left side elevation view thereof;
FIG. 5—is a right side elevation view thereof;
FIG. 6—is a front elevation view thereof; and,
FIG. 7—is a back elevation view thereof.
The broken lines depict environmental subject matter only and form no part of the claimed design.

1 Claim, 7 Drawing Sheets

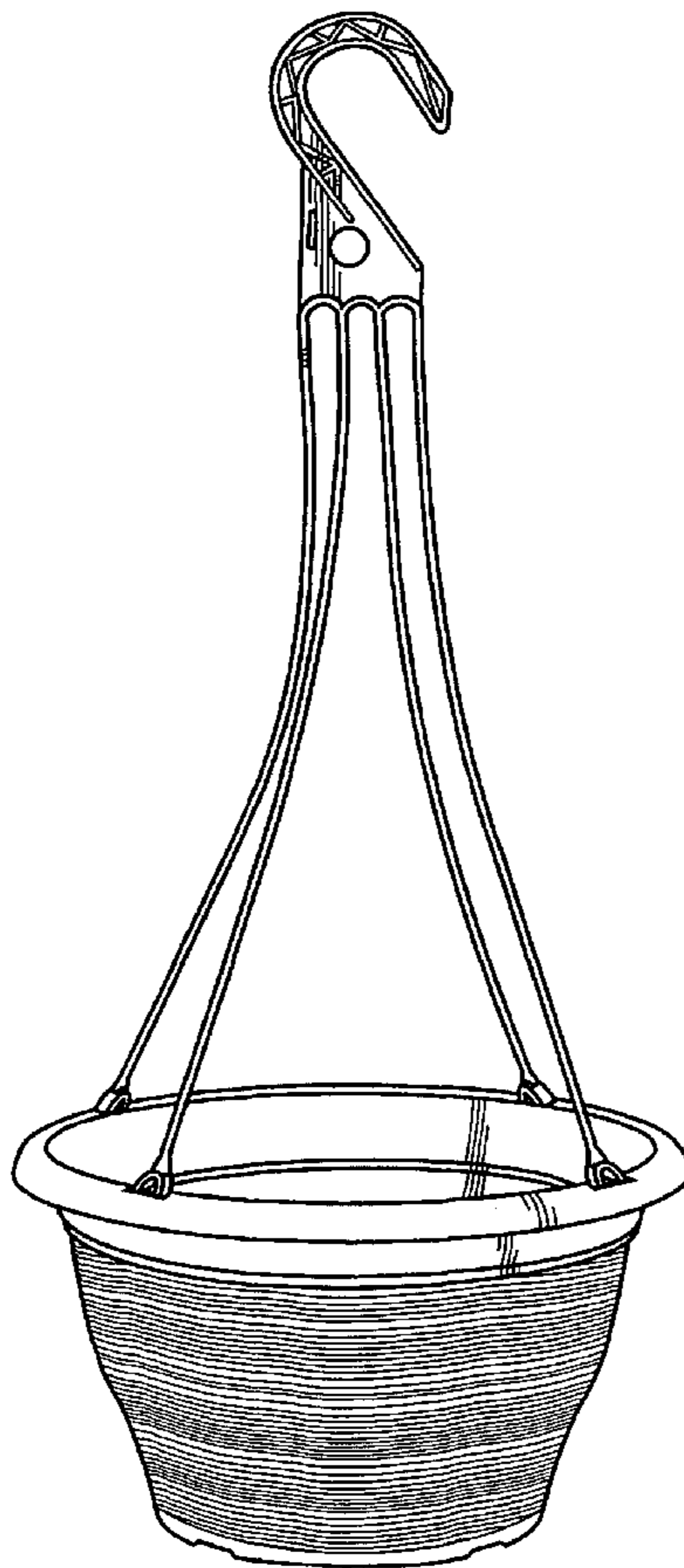


FIG. 1

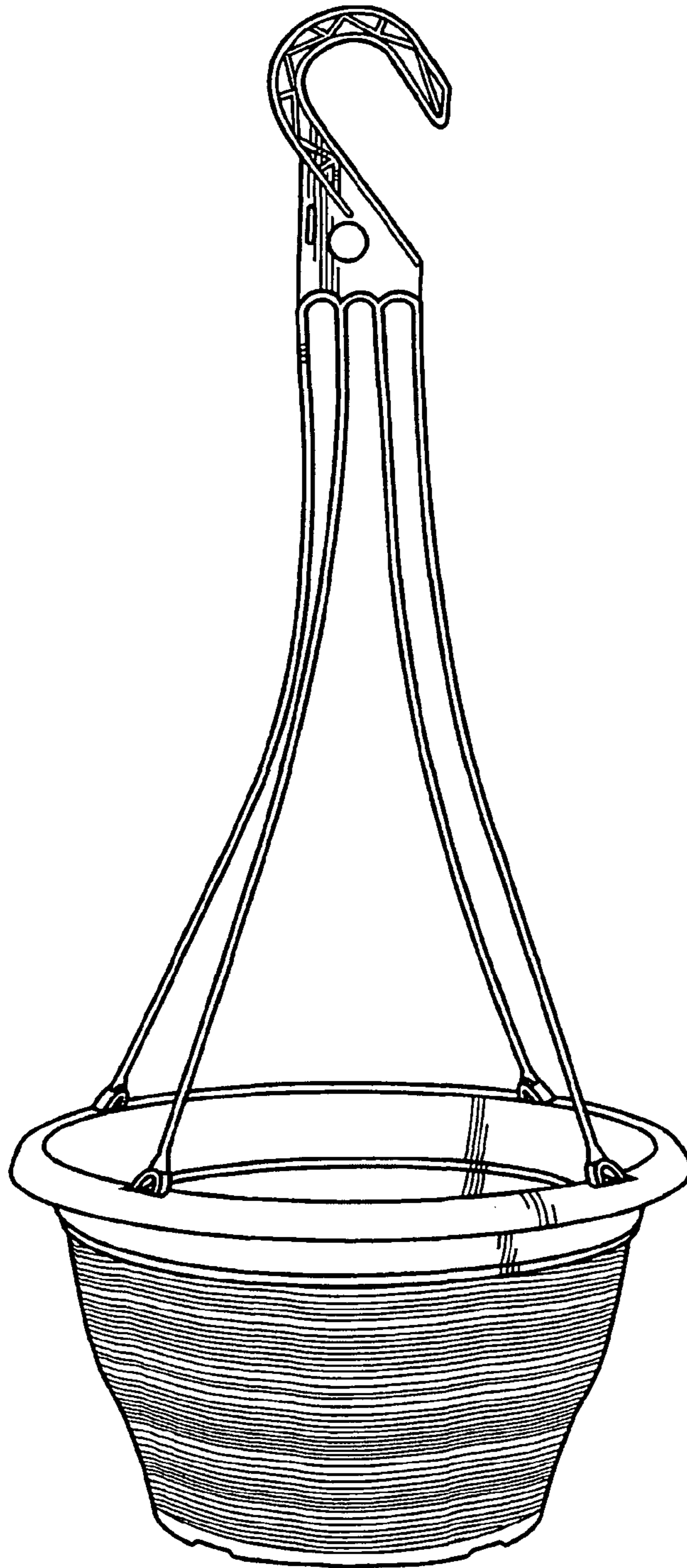


FIG. 2

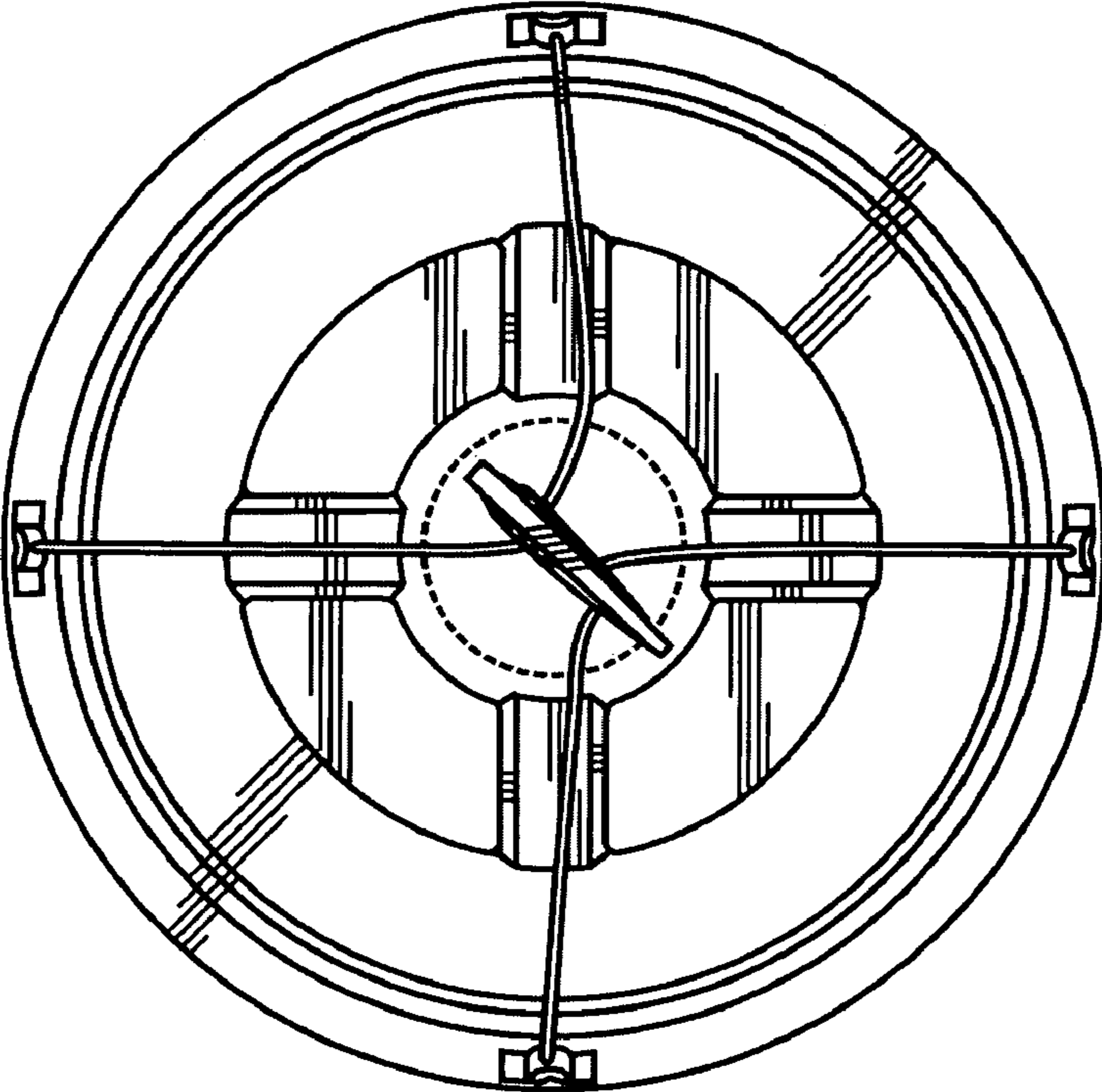


FIG. 3

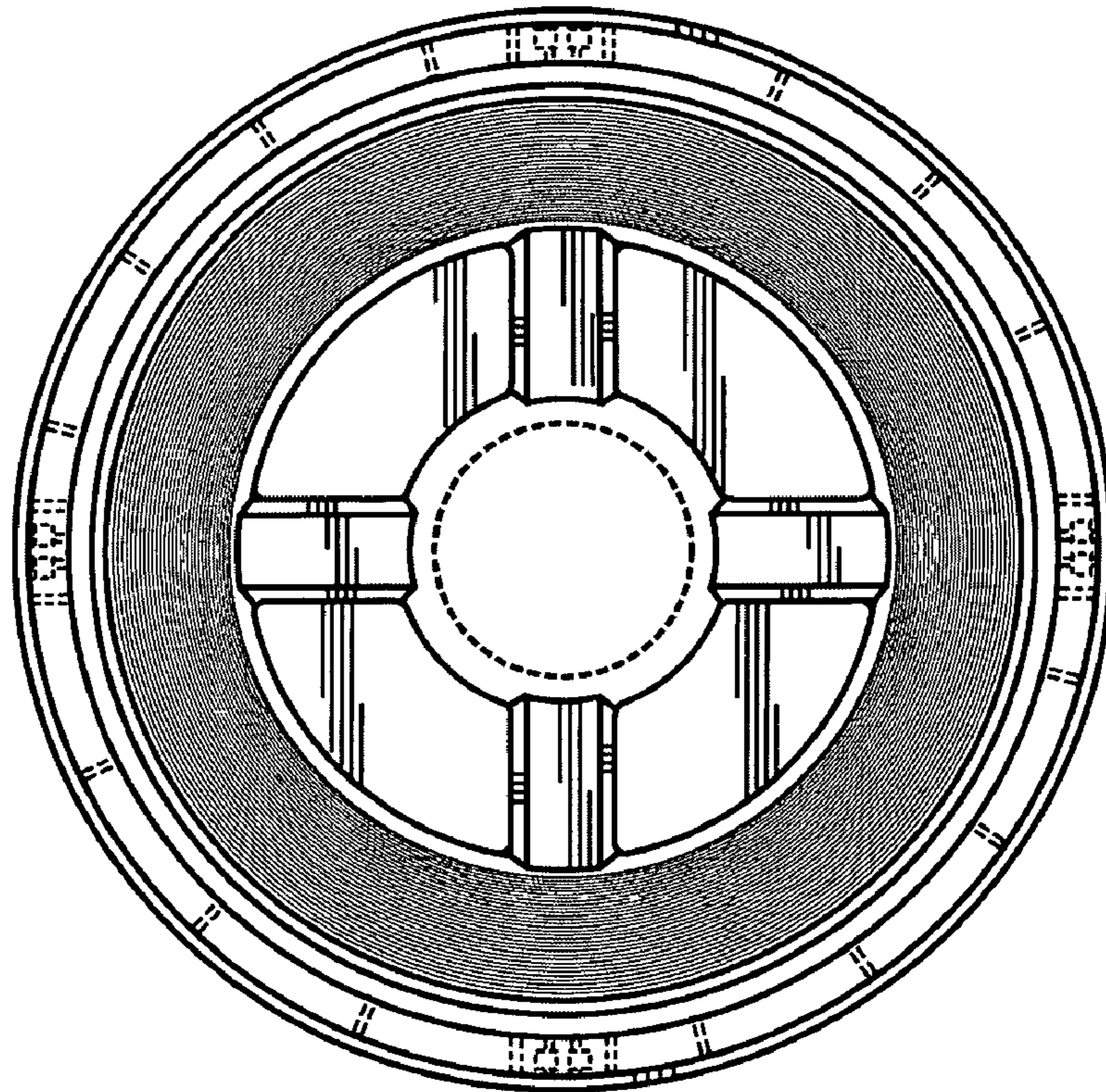


FIG. 4

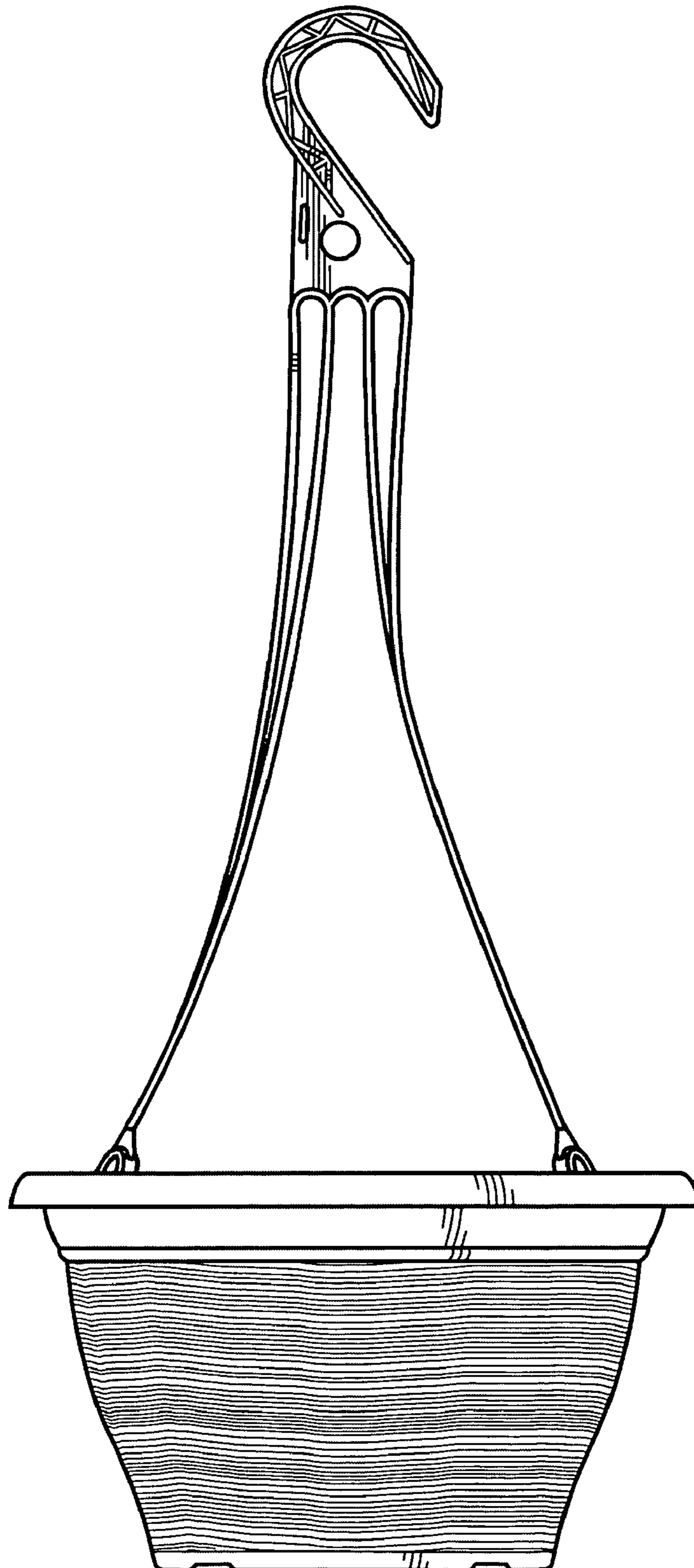


FIG. 5

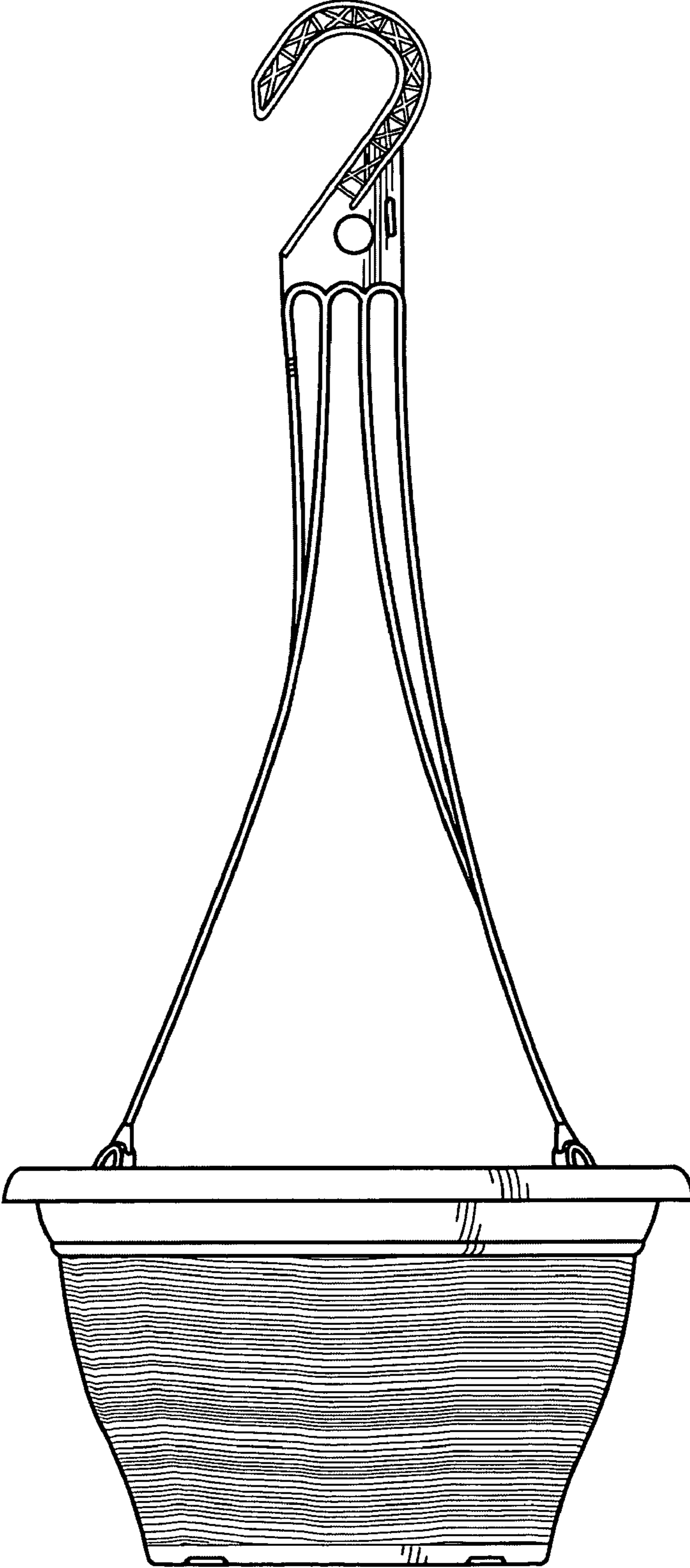


FIG. 6

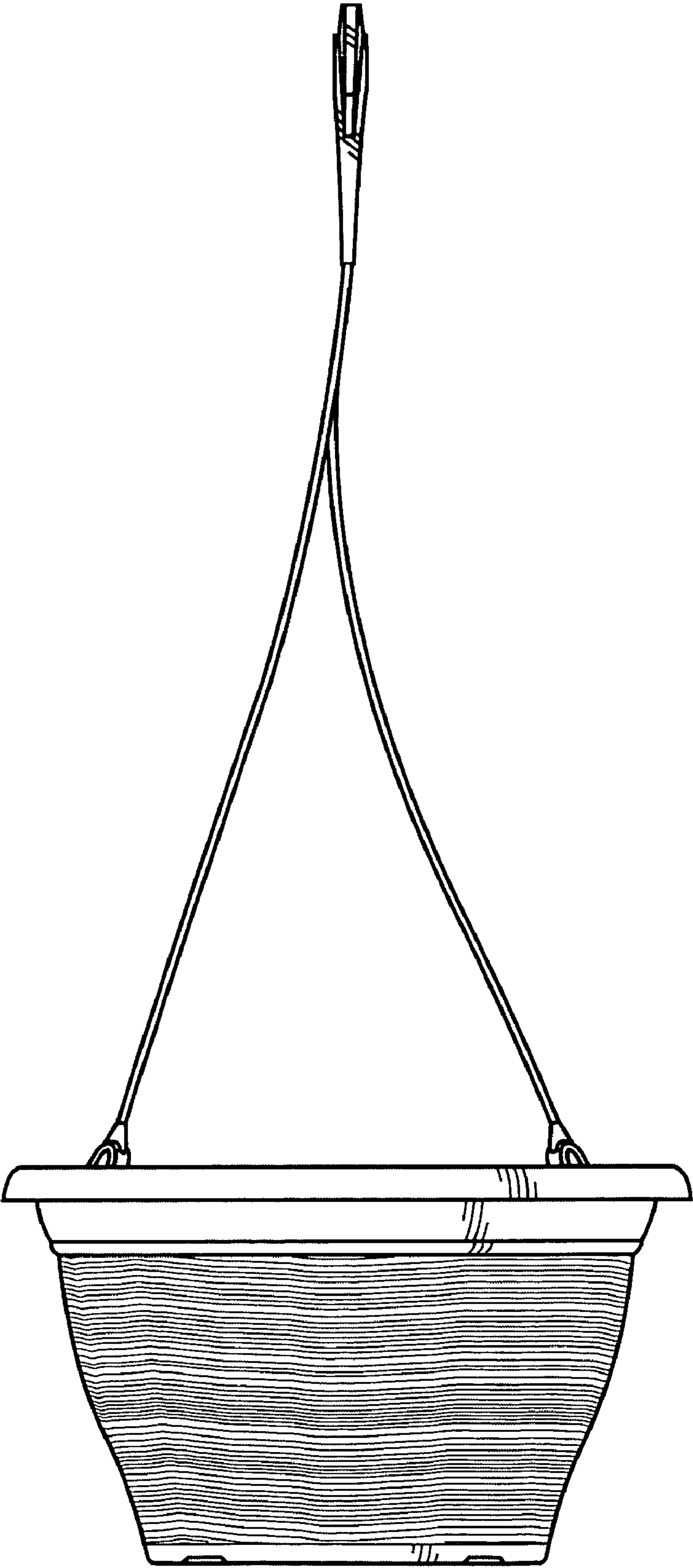


FIG. 7

