



US00D636699S

(12) **United States Design Patent**  
**White**

(10) **Patent No.:** **US D636,699 S**

(45) **Date of Patent:** **\*\* Apr. 26, 2011**

(54) **POT**

(75) **Inventor:** **Scott White**, Toronto (CA)

(73) **Assignee:** **CTI International Limited**, Toronto, Ontario (CA)

(\*\*) **Term:** **14 Years**

(21) **Appl. No.:** **29/347,697**

(22) **Filed:** **Apr. 13, 2010**

(51) **LOC (9) Cl.** ..... **11-02**

(52) **U.S. Cl.** ..... **D11/148**

(58) **Field of Classification Search** ..... D6/403-405,  
D6/556-558; D8/1; D11/143-156, 164;  
D19/77, 80, 81; D26/9-11, 16; D34/1, 2,  
D34/4-6; D99/5, 19; 47/32.4, 32.5, 32.7,  
47/33, 41.01, 41.1, 41.11-41.15, 44-47,  
47/65, 65.5, 65.9, 66.6, 66.7, 67-71  
See application file for complete search history.

(56) **References Cited**

**U.S. PATENT DOCUMENTS**

D109,069 S \* 3/1938 Matassa ..... D11/152  
D301,958 S \* 7/1989 Zivin ..... D7/603  
D395,411 S \* 6/1998 Grebert ..... D11/153

D536,277 S \* 2/2007 Cabeza ..... D11/152  
D611,876 S \* 3/2010 White ..... D11/148  
D611,877 S \* 3/2010 White ..... D11/148  
D614,991 S \* 5/2010 White ..... D11/152  
2006/0032130 A1 \* 2/2006 Liffers et al. .... 47/67

\* cited by examiner

*Primary Examiner* — Garth Rademaker

(74) *Attorney, Agent, or Firm* — Riches, McKenzie & Herbert LLP

(57) **CLAIM**

I claim the ornamental design for a pot, as shown and described.

**DESCRIPTION**

FIG. 1—is a perspective view of a pot showing my new design;  
FIG. 2—is a front elevation view thereof;  
FIG. 3—is a back elevation view thereof;  
FIG. 4—is a left side elevation view thereof;  
FIG. 5—is a right side elevation view thereof;  
FIG. 6—is a top plan view thereof; and,  
FIG. 7—is a bottom plan view thereof.  
The broken lines depict environmental subject matter only and form no part of the claimed design.

**1 Claim, 7 Drawing Sheets**

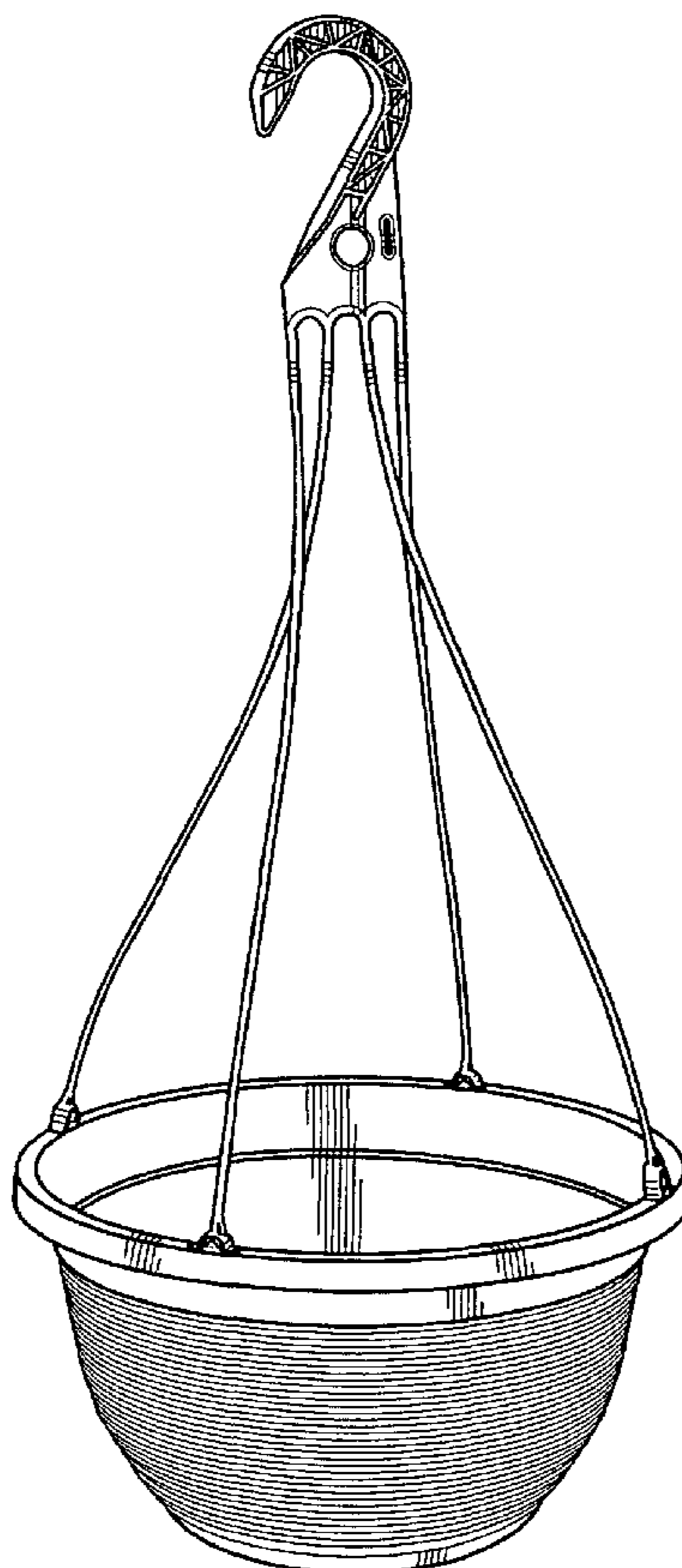


FIG. 1

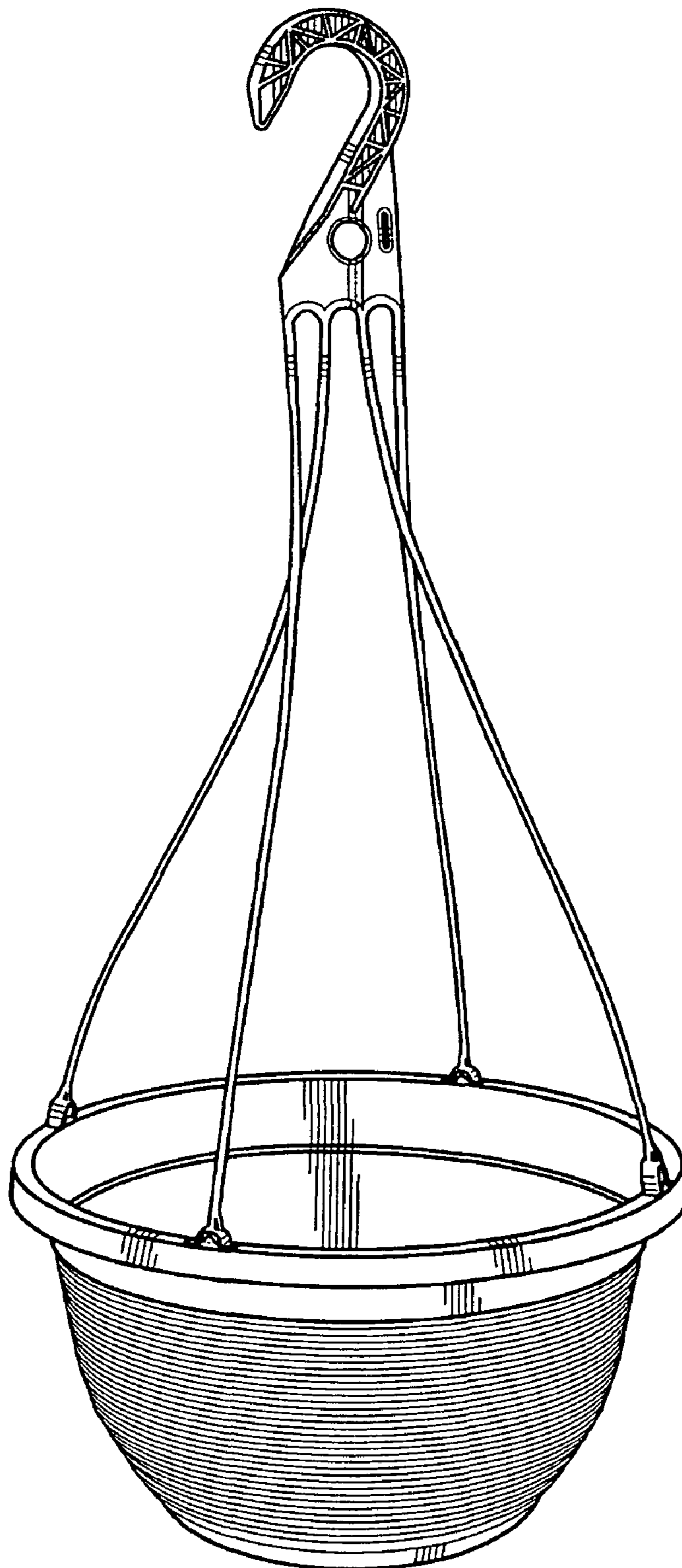


FIG. 2

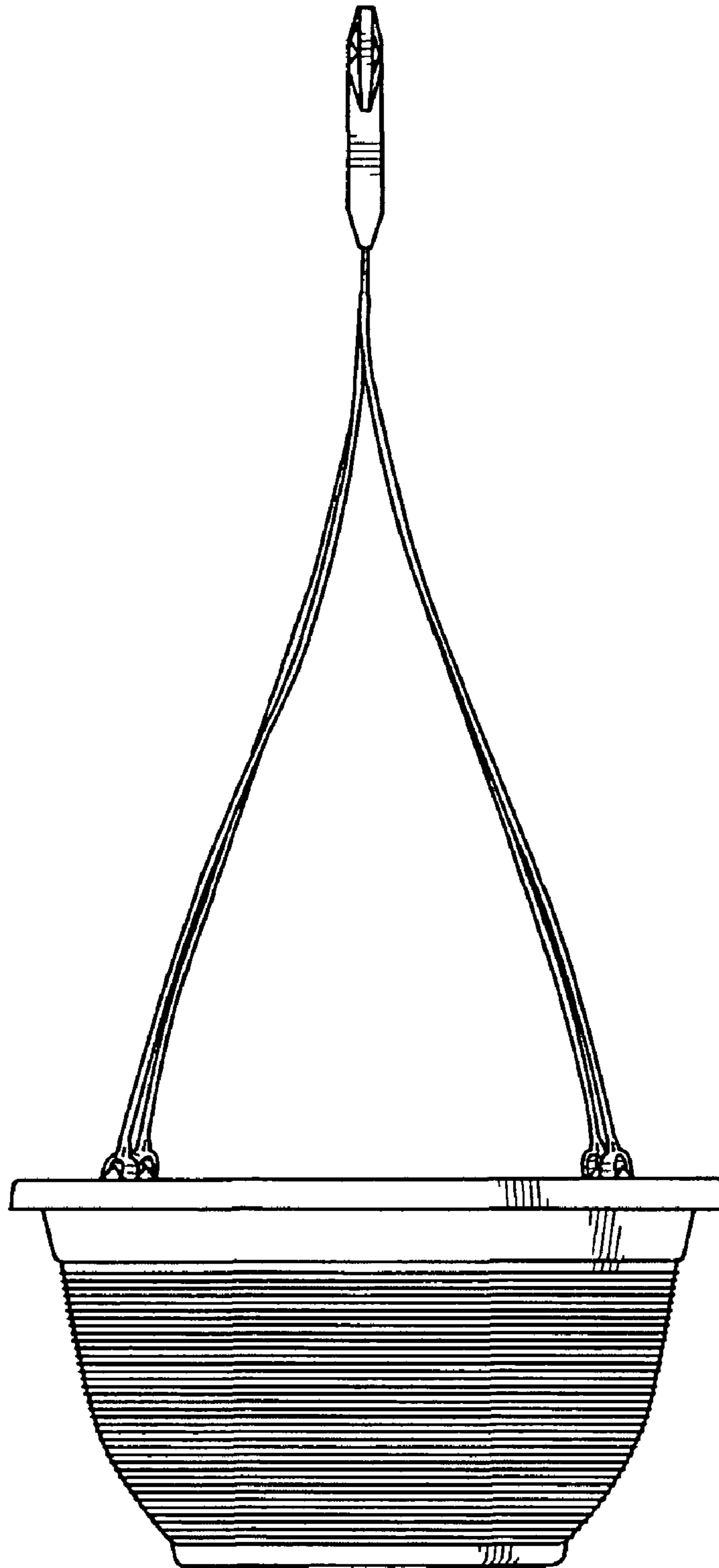


FIG. 3

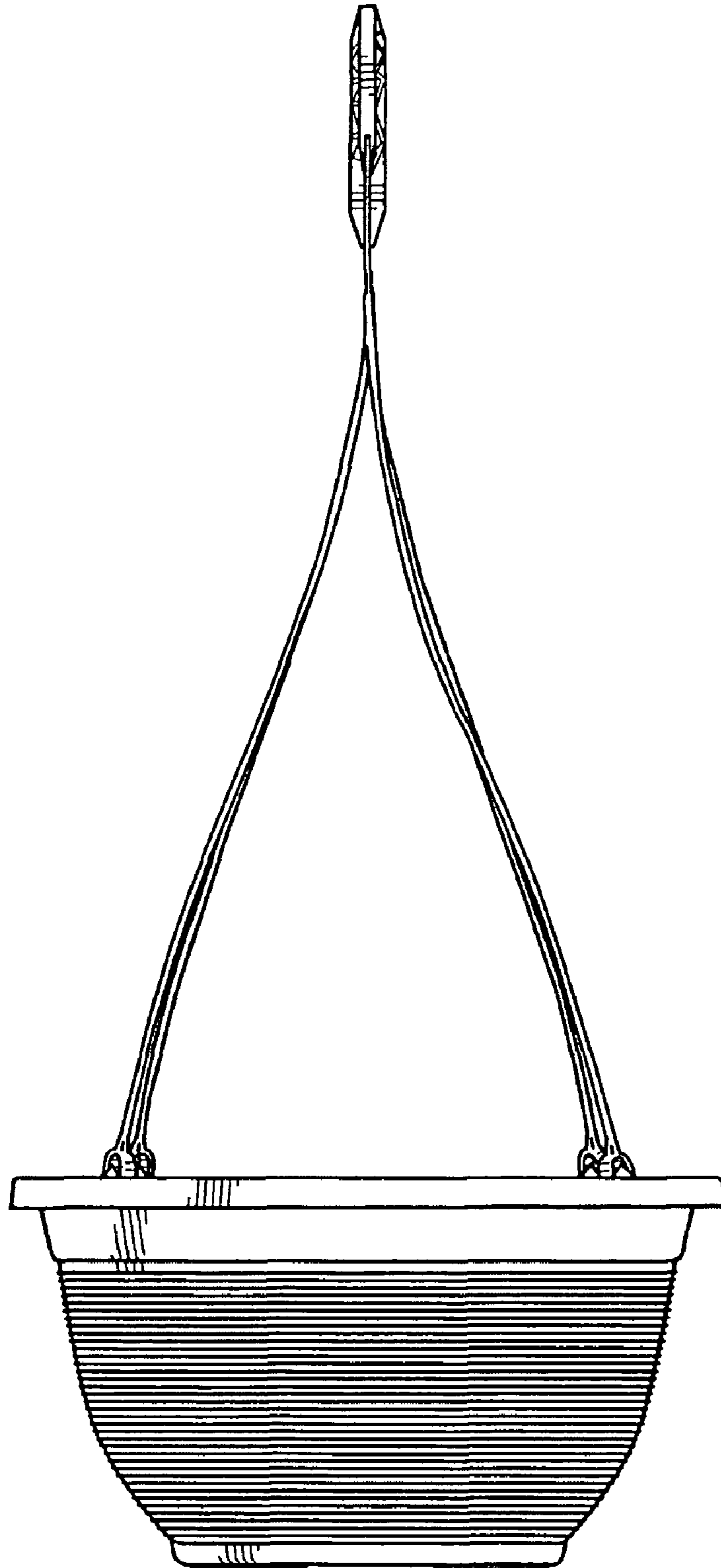


FIG. 4

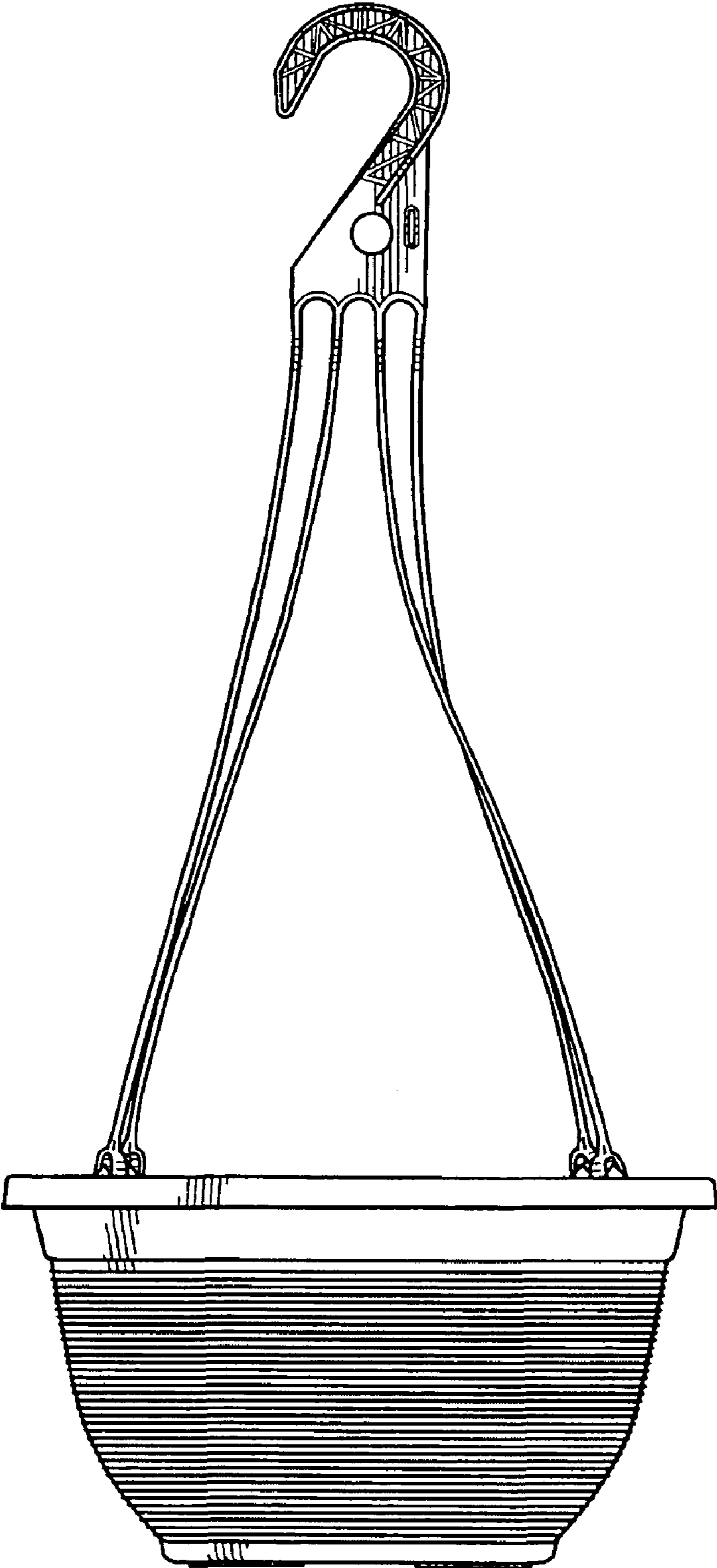


FIG. 5

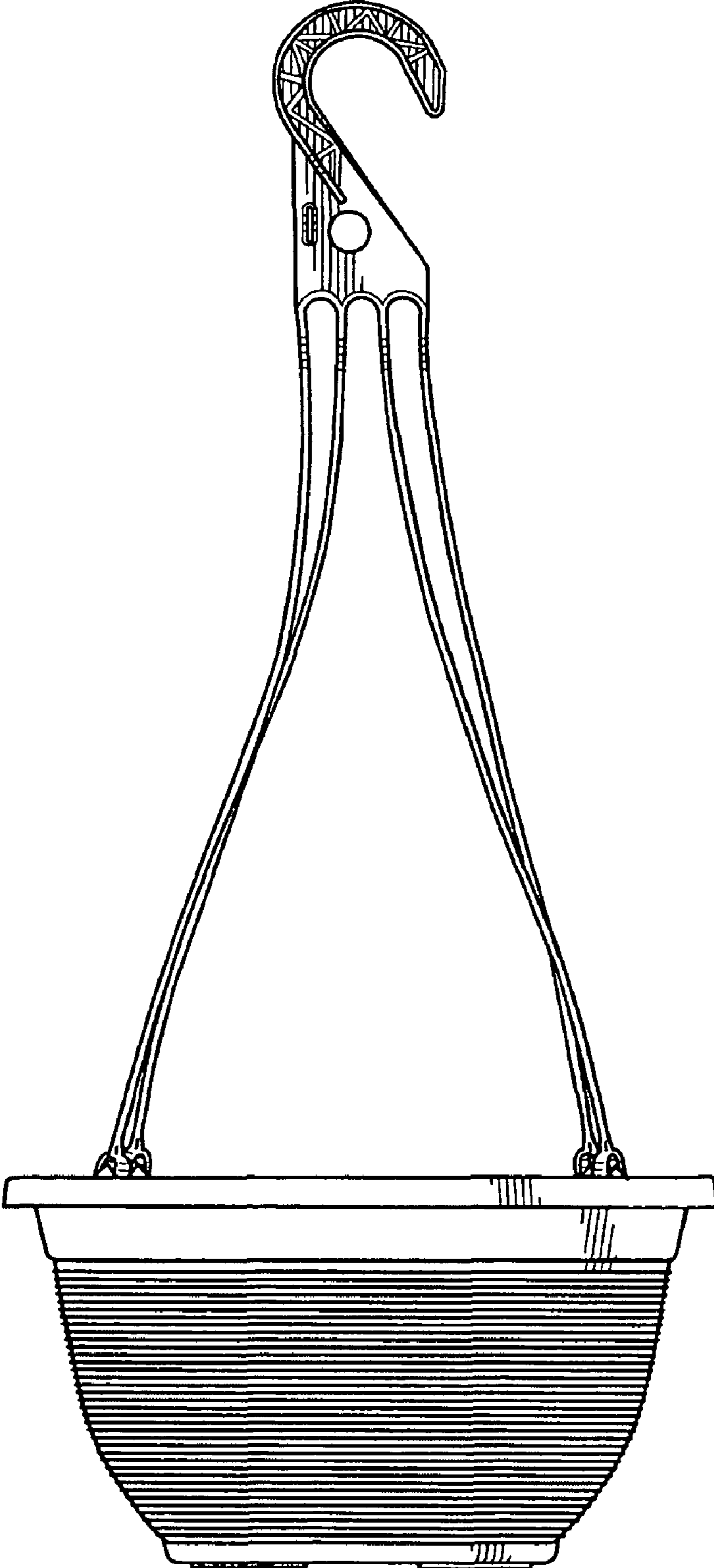


FIG. 6

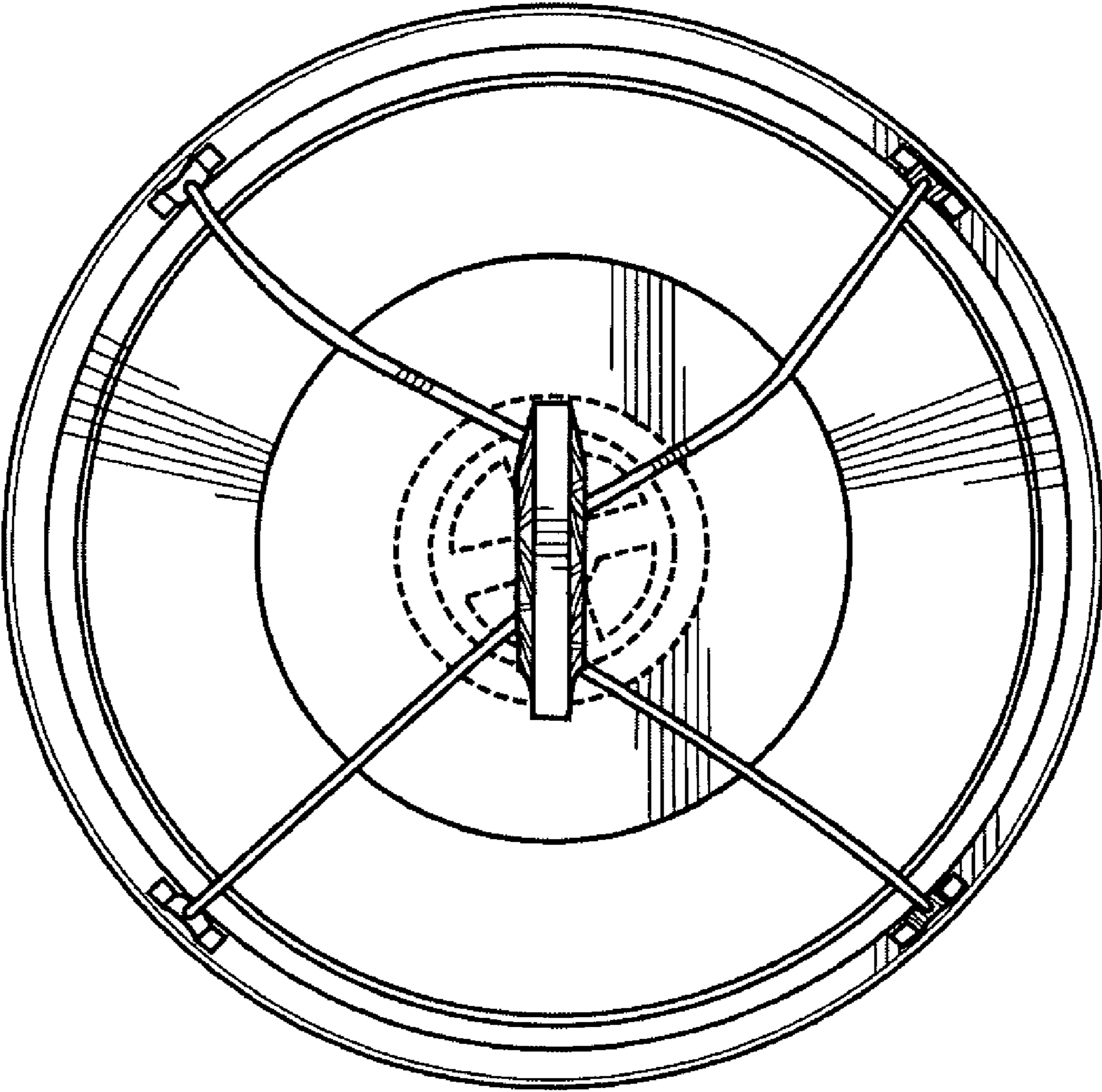


FIG. 7

