



US00D636698S

(12) **United States Design Patent**
Reiter

(10) **Patent No.:** **US D636,698 S**

(45) **Date of Patent:** **** Apr. 26, 2011**

(54) **FINGER RING**

(76) Inventor: **Spencer Alan Reiter**, DeRidder, LA
(US)

(**) Term: **14 Years**

(21) Appl. No.: **29/370,672**

(22) Filed: **Aug. 19, 2010**

(51) **LOC (9) Cl.** **11-02**

(52) **U.S. Cl.** **D11/79**

(58) **Field of Classification Search** D11/26-43,
D11/89-91, 79-85, 1-2; 63/15.1-15.4, 15.45,
63/15.5, 15.6, 15.65, 15.7, 26-28, 12, 13
See application file for complete search history.

(56) **References Cited**

U.S. PATENT DOCUMENTS

D97,535 S *	11/1935	Mossman	D11/80
D314,525 S *	2/1991	Alward	D11/2
D408,316 S *	4/1999	Perrin et al.	D11/47
6,317,941 B1 *	11/2001	Hamm, Jr.	63/12
6,354,107 B1 *	3/2002	Verducci, Sr.	63/33
D455,097 S *	4/2002	Salvarani	D11/79
D460,715 S *	7/2002	Itzkowitz	D11/91
D472,497 S *	4/2003	Bonnet	D11/40
D505,636 S *	5/2005	Bisceglie	D11/79
D519,875 S *	5/2006	Bulgari	D11/79

D594,365 S *	6/2009	Grassi Damiani	D11/16
D626,878 S *	11/2010	Hardy	D11/79
2008/0078206 A1 *	4/2008	Wright	63/13

* cited by examiner

Primary Examiner — Cathron C Brooks

Assistant Examiner — Melanie Levy

(74) *Attorney, Agent, or Firm* — R. Tracy Crump

(57) **CLAIM**

The ornamental design for a finger ring, as shown and described.

DESCRIPTION

FIG. 1 is a perspective view of the reflective pendant showing my new design;

FIG. 2 is a front view of the reflective pendant showing my new design;

FIG. 3 is a rear view of the reflective pendant showing my new design;

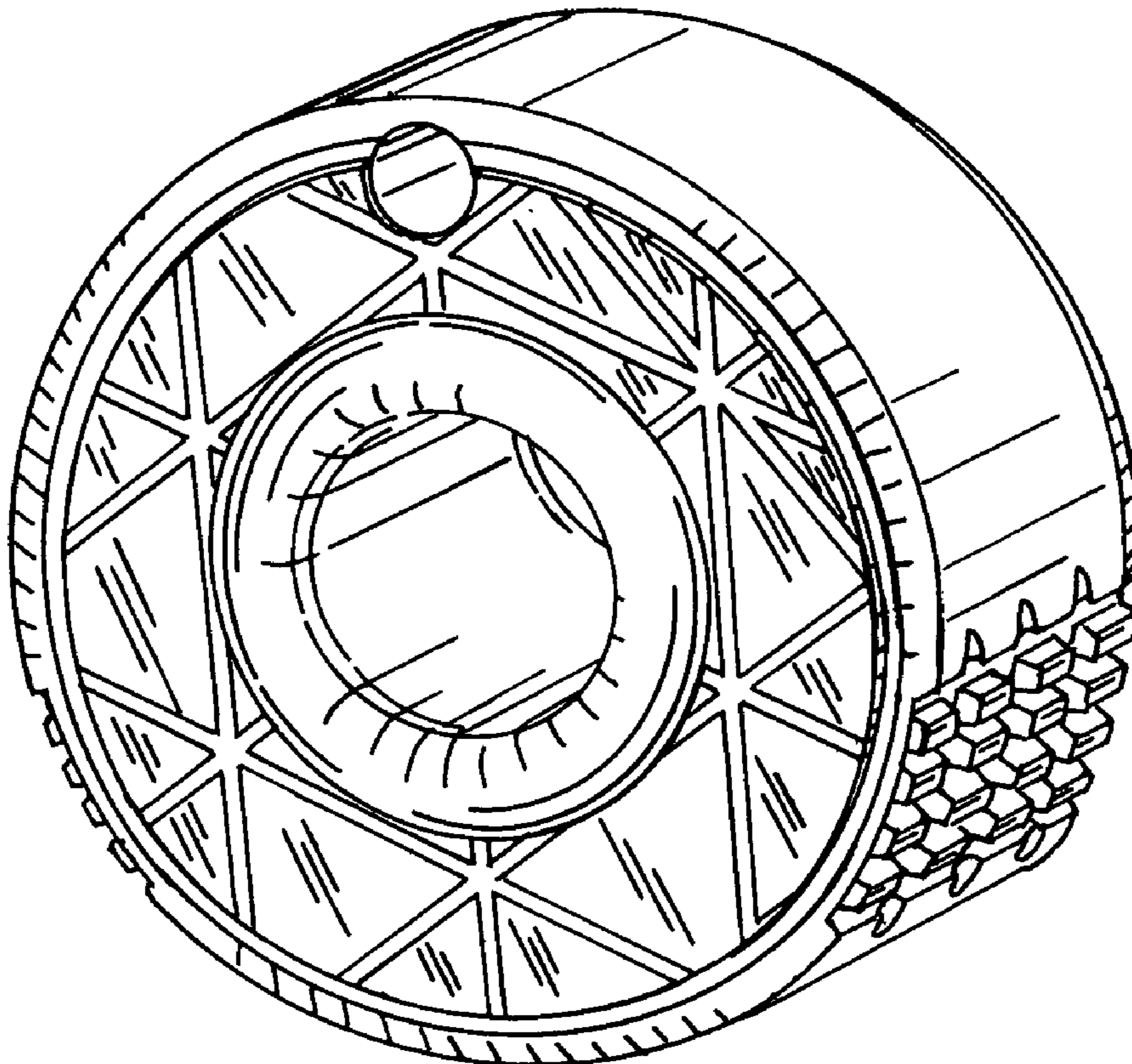
FIG. 4 is a top view of the reflective pendant showing my new design;

FIG. 5 is a bottom view of the reflective pendant showing my new design;

FIG. 6 is a left side view of the reflective pendant showing my new design; and,

FIG. 7 is a right side view of the reflective pendant showing my new design.

1 Claim, 3 Drawing Sheets



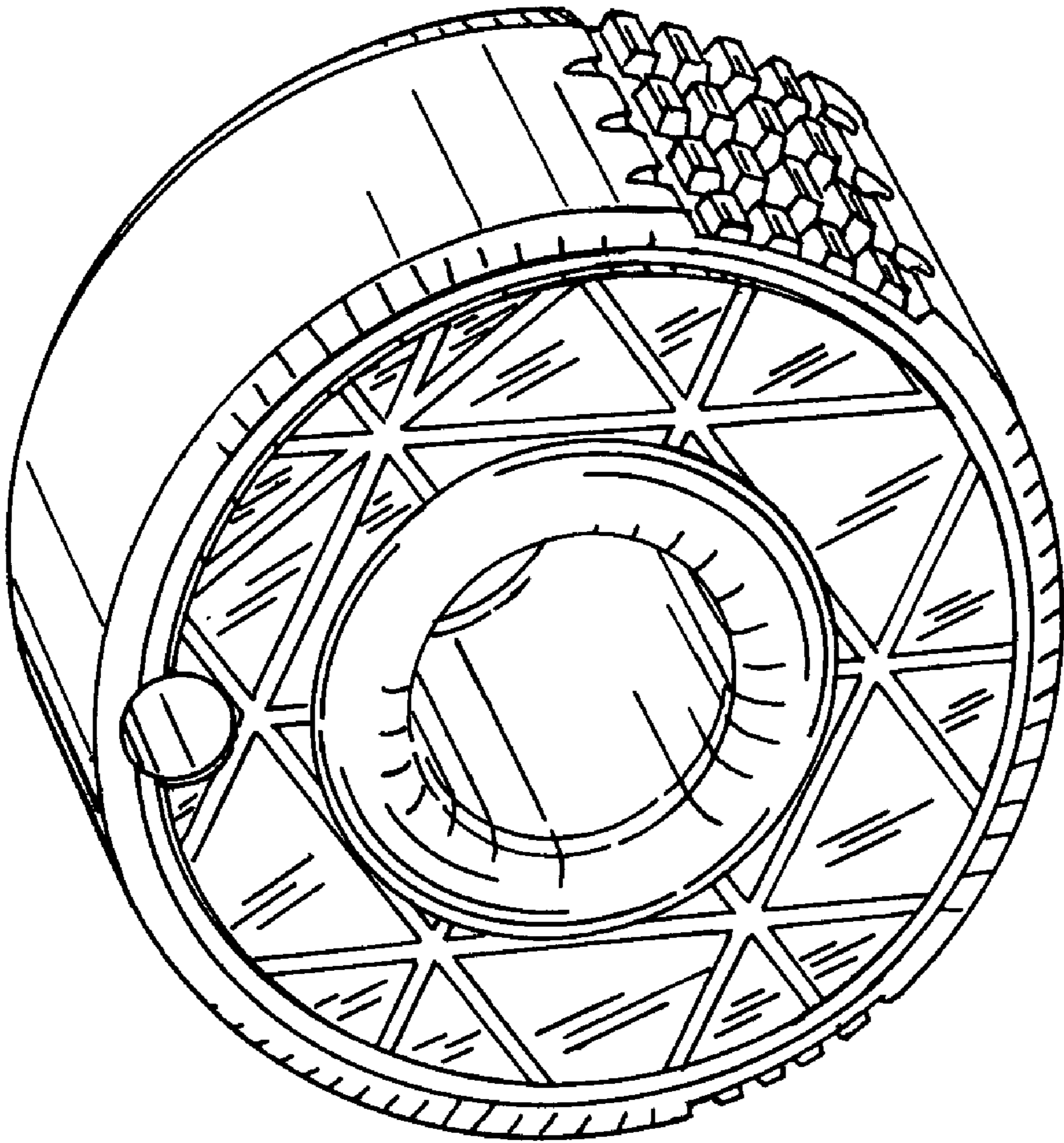


FIG. 1

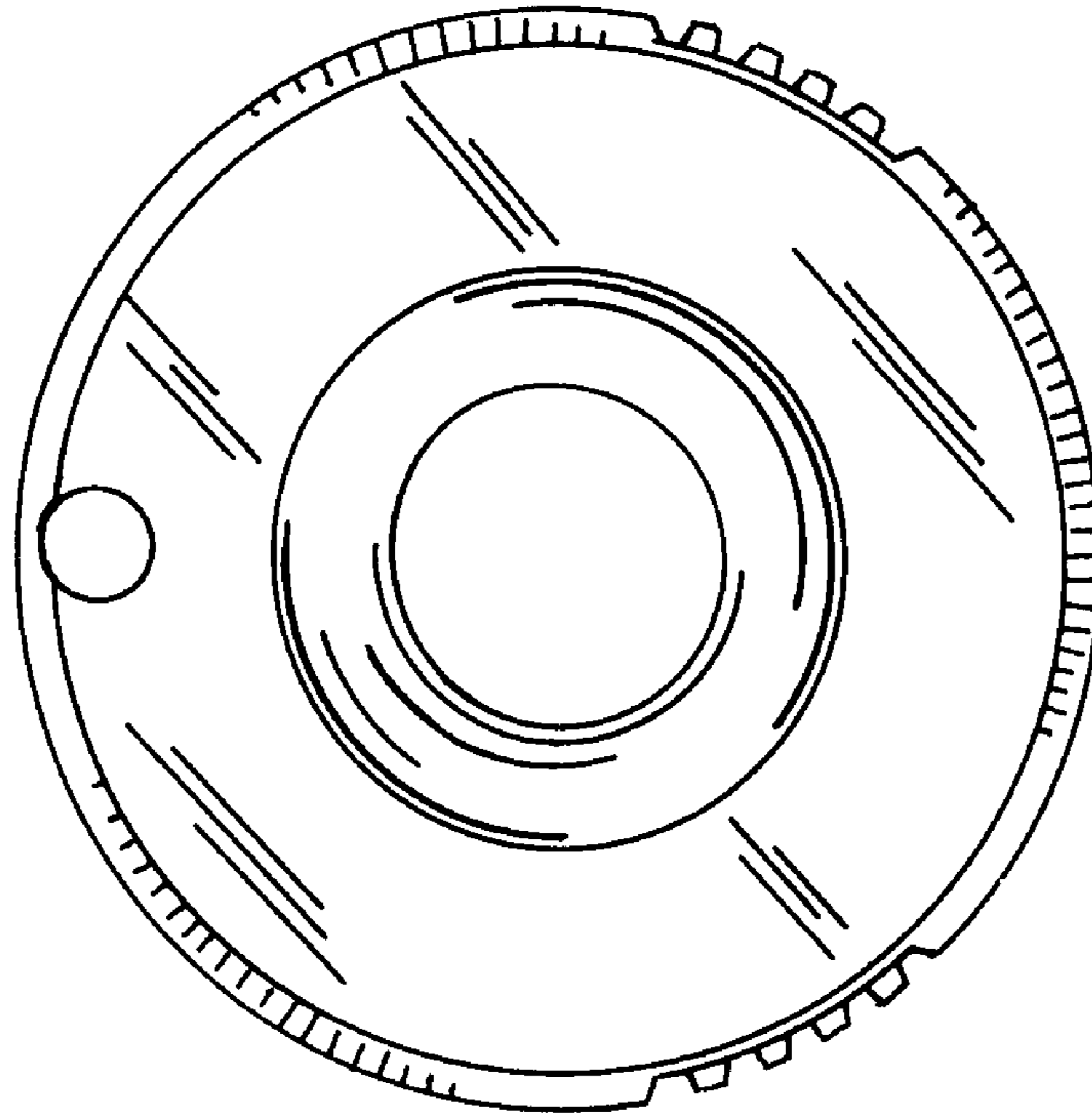


FIG. 3



FIG. 2

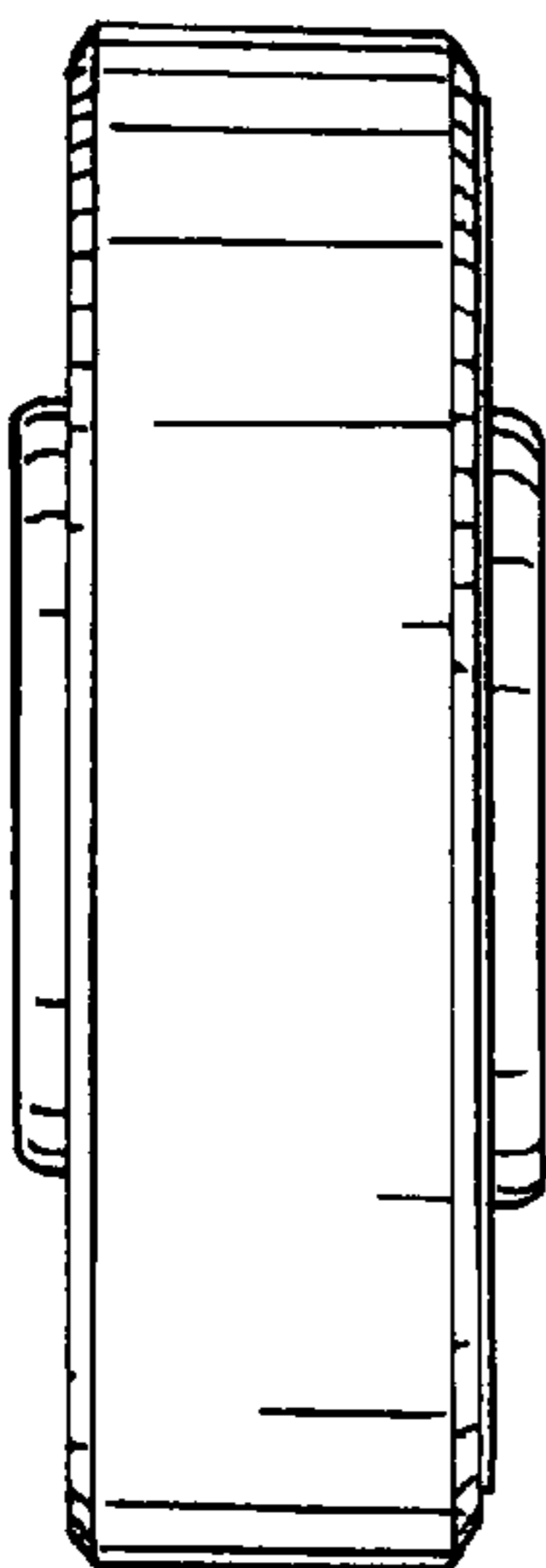


FIG. 4

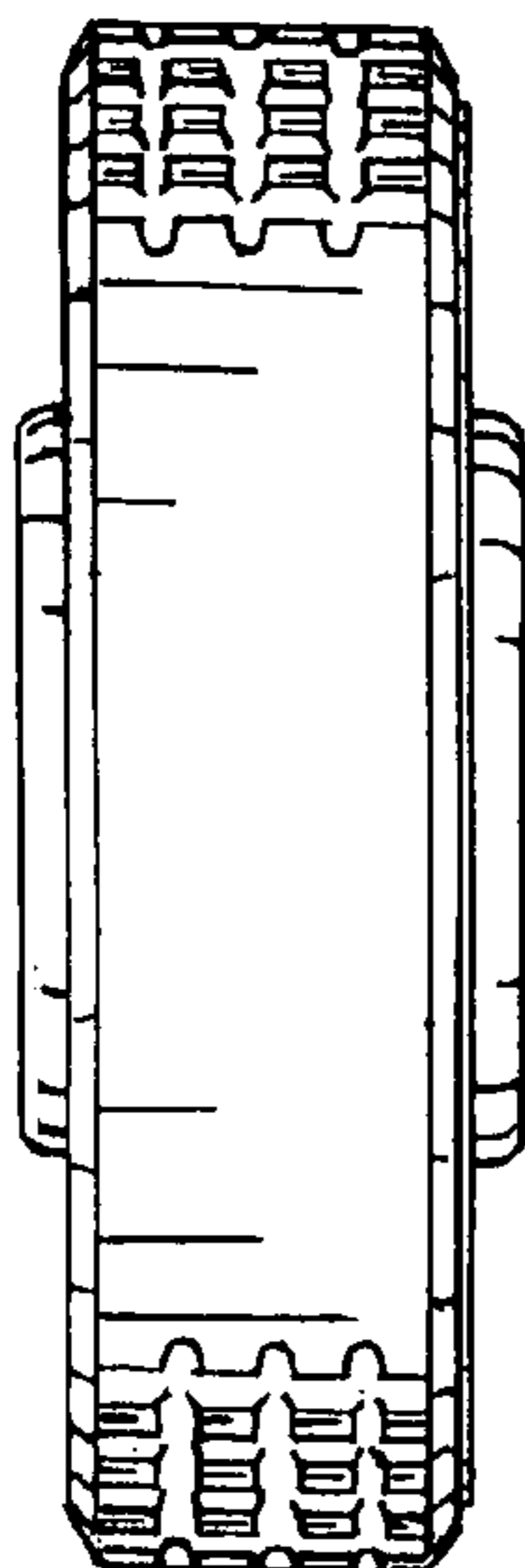


FIG. 5

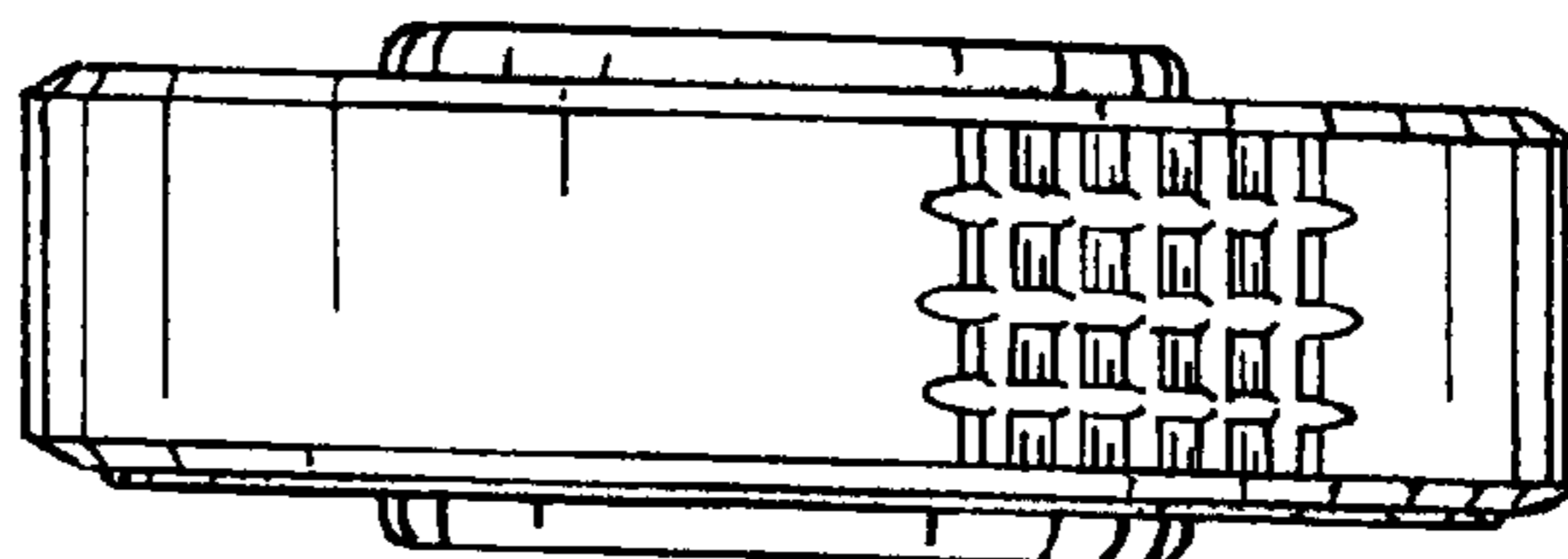


FIG. 6

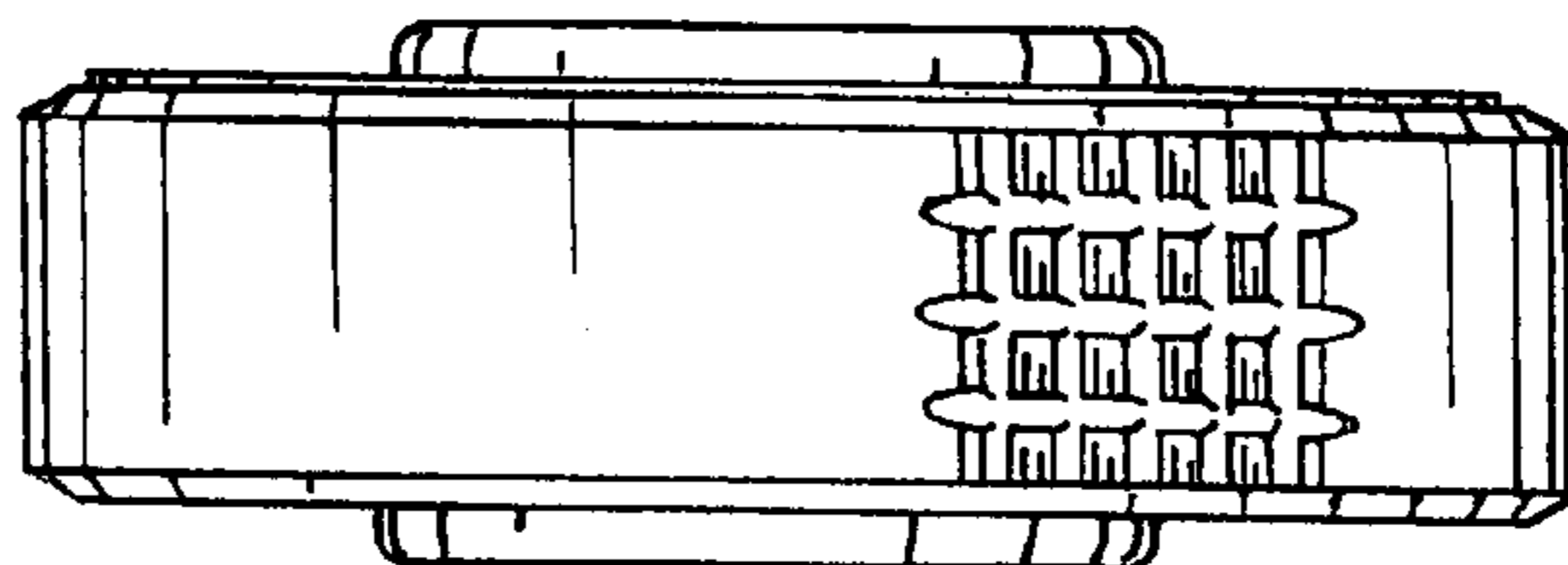


FIG. 7