



US00D636697S

(12) **United States Design Patent**
Gebhard et al.

(10) **Patent No.:** **US D636,697 S**
(45) **Date of Patent:** **** Apr. 26, 2011**

(54) **MONEY RETAINER**

(75) Inventors: **Albert W. Gebhard**, Denver, CO (US);
John A Gennaro, Cranford, NJ (US)

(73) Assignee: **John Gennaro**, Cranford, NJ (US)

(**) Term: **14 Years**

(21) Appl. No.: **29/368,235**

(22) Filed: **Aug. 20, 2010**

(51) **LOC (9) Cl.** **11-01**

(52) **U.S. Cl.** **D11/78.1**

(58) **Field of Classification Search** D11/78.1,
D11/215; D3/215, 247; 40/630, 633; D19/26;
244/222; D8/395; 24/60, 485

See application file for complete search history.

(56) **References Cited**

U.S. PATENT DOCUMENTS

D368,868 S *	4/1996	Velleco	D11/78.1
D428,823 S *	8/2000	Davi	D11/78.1
D447,438 S *	9/2001	DiLibero	D11/78.1
D515,966 S *	2/2006	Loy	D11/78.1
D537,752 S *	3/2007	Goldberg et al.	D11/78.1
D587,158 S *	2/2009	Trapani et al.	D11/78.1

* cited by examiner

Primary Examiner — Raif Seifert

(74) *Attorney, Agent, or Firm* — Margaret Polson; Oppedahl Patent Law Firm LLC

(57) **CLAIM**

The ornamental design for a money retainer, as shown and described.

DESCRIPTION

FIG. 1 is a front side perspective view of our band for a money retainer, with the possible logo show in dotted lines, which are not part of the claimed design.

FIG. 2 is a right and left side elevation view, which are identical, of FIG. 1.

FIG. 3 is a front side elevation view of FIG. 1.

FIG. 4 a back side elevation view of FIG. 1.

FIG. 5 is a top plan view of FIG. 1.

FIG. 6 is a bottom plan view of FIG. 1.

FIG. 7 is a detailed view of the stops on the band.

FIG. 8 is a bottom side elevation view of the decorative slide for the money retainer.

FIG. 9 is a right side elevation view of FIG. 8.

FIG. 10 is a left side elevation view of FIG. 8.

FIG. 11 is a front side elevation view of FIG. 8.

FIG. 12 is a back side elevation view of FIG. 8.

FIG. 13 is a bottom plan view of FIG. 8.

FIG. 14 is a top plan view of FIG. 8.

FIG. 15 is a top perspective view of the complete money retainer, with money or other flat goods to be retained shown in dotted lines, which is for illustrative purposes only and is not part of the claimed design.

FIG. 16 is a right and left side elevation view, which are mirror images, of FIG. 15.

FIG. 17 is a front and back side elevation view, which are identical, of FIG. 15.

FIG. 18 is a top plan view of FIG. 15; and,

FIG. 19 is a bottom plan view of FIG. 15.

1 Claim, 3 Drawing Sheets





FIG. 1

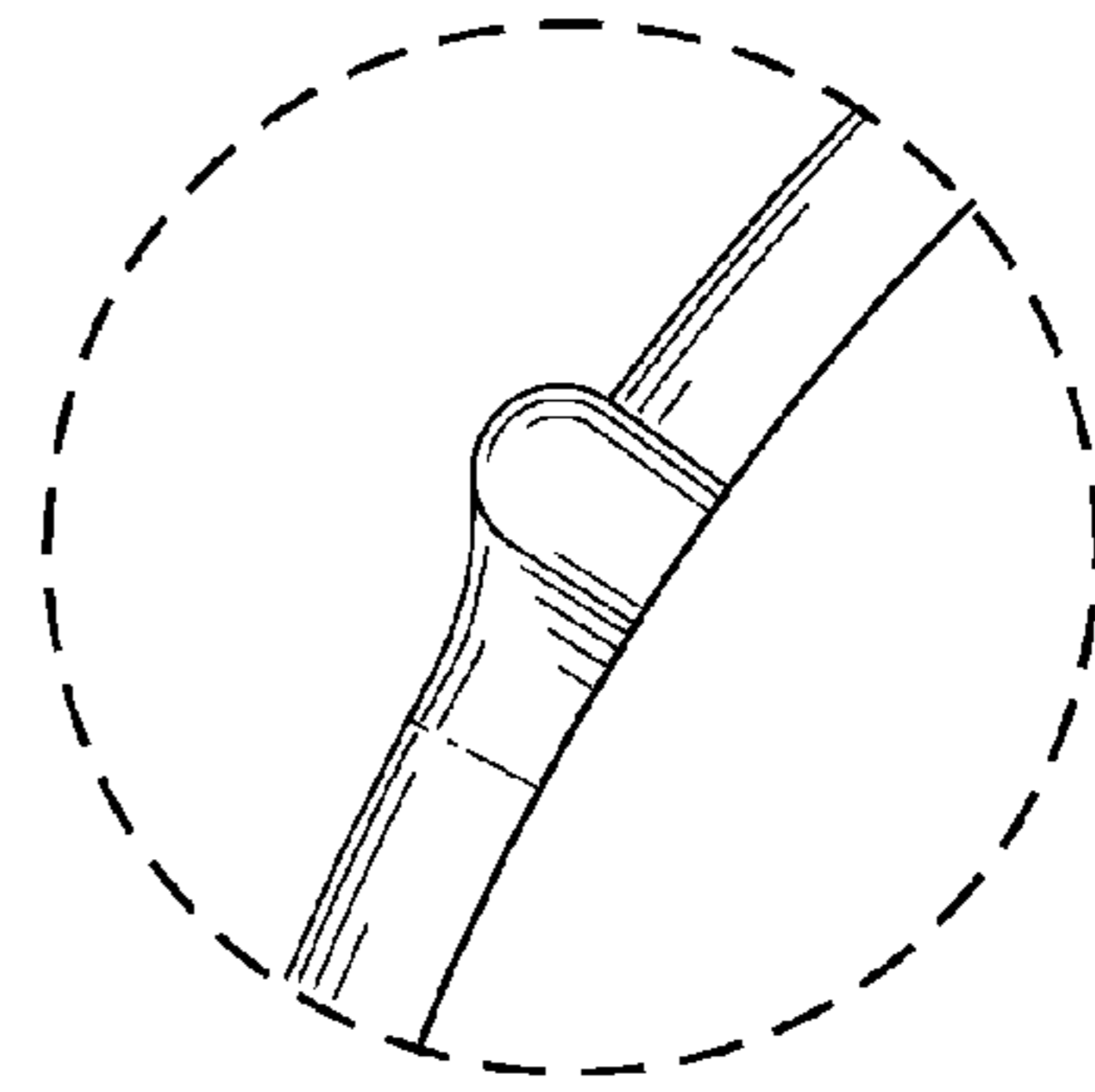


FIG. 7

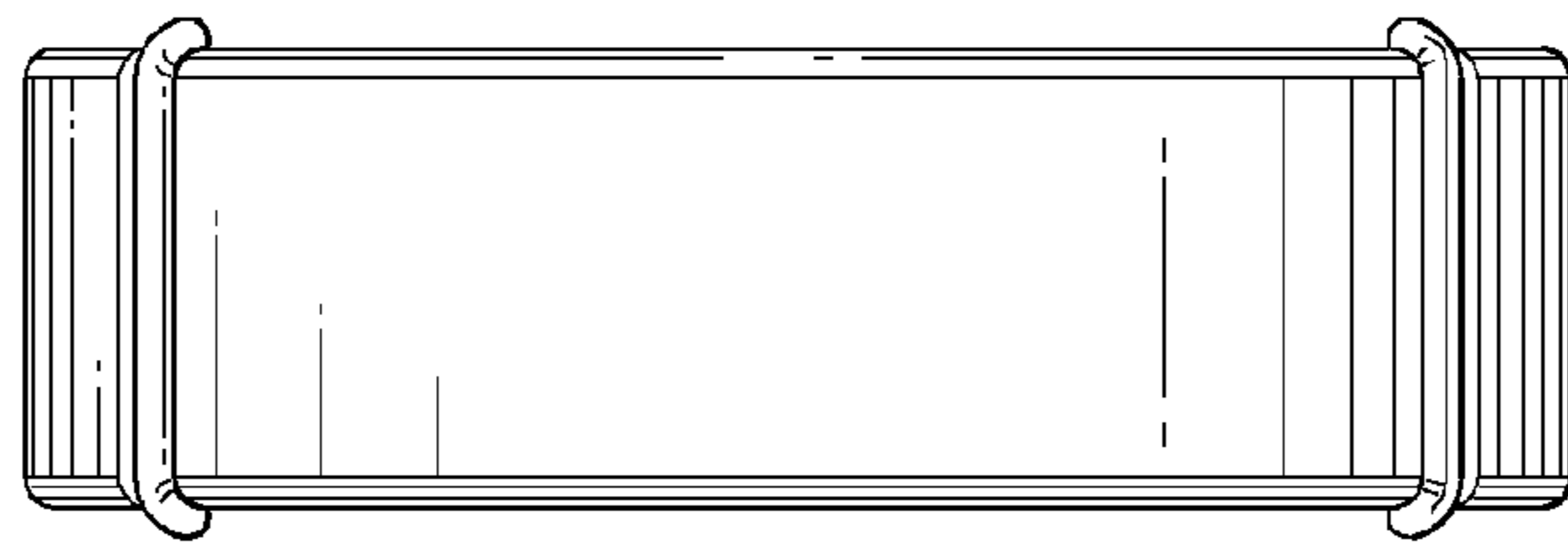


FIG. 5

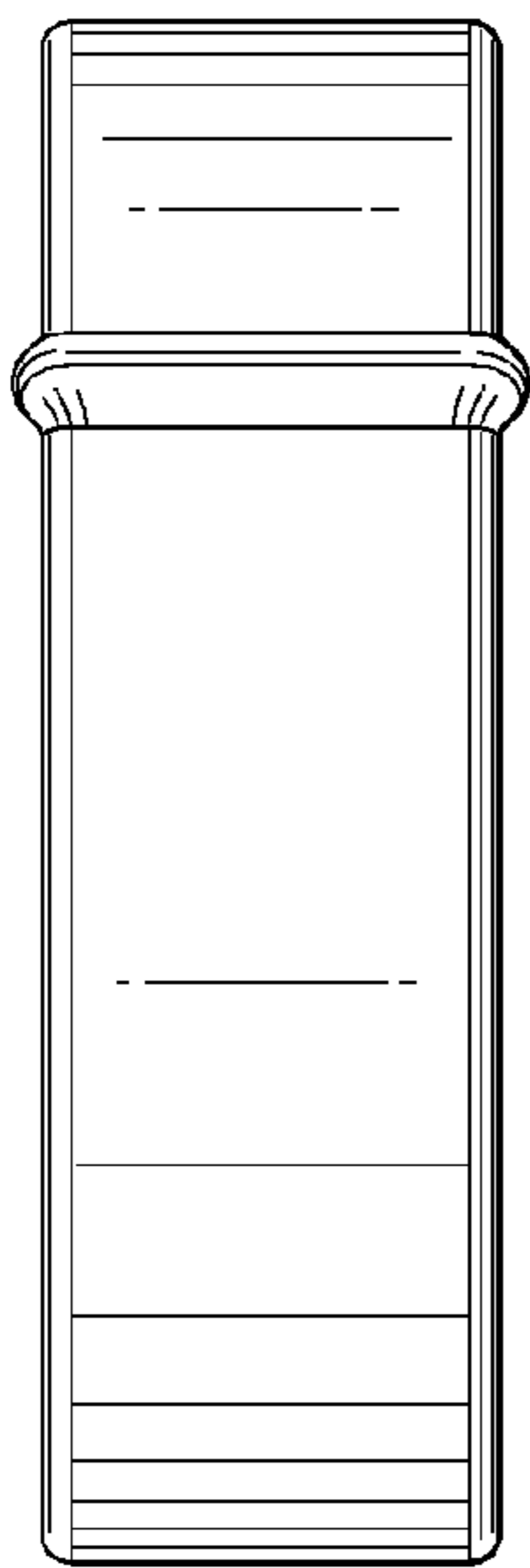


FIG. 3

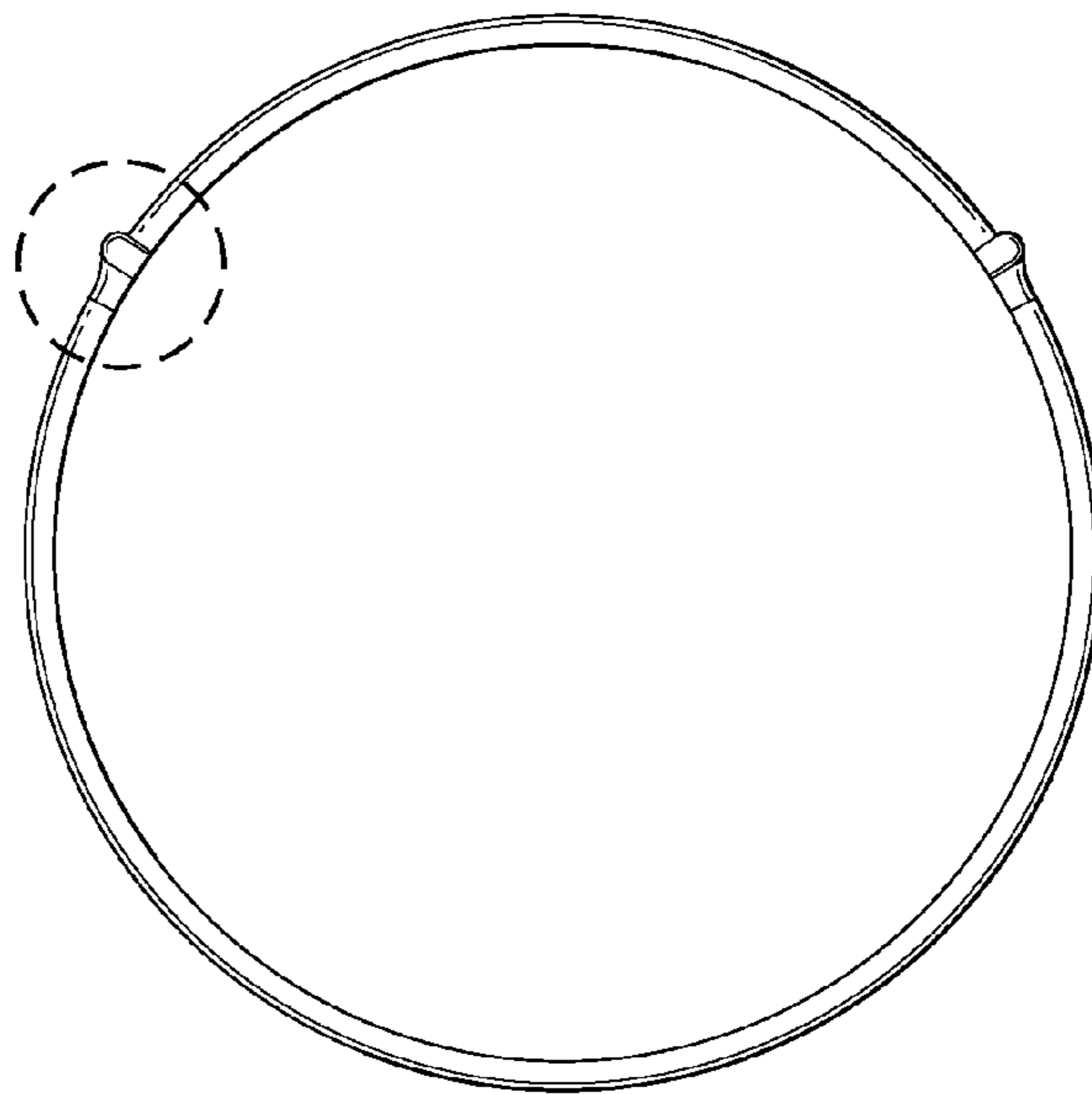


FIG. 2

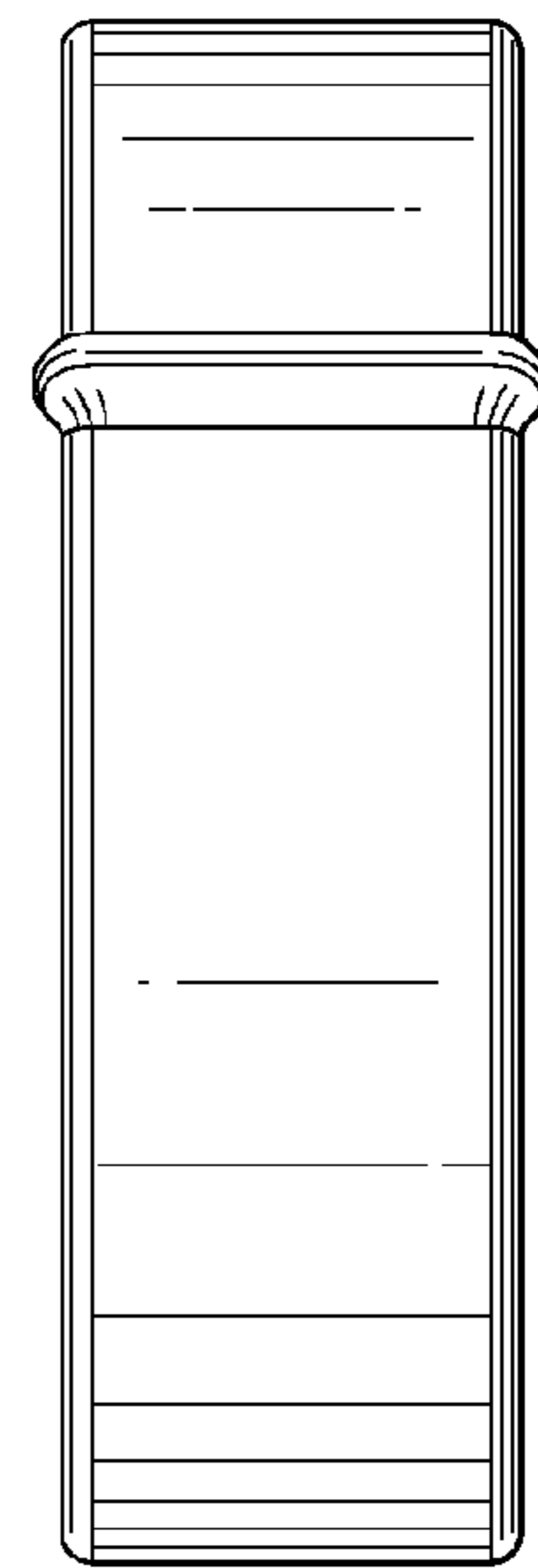


FIG. 4

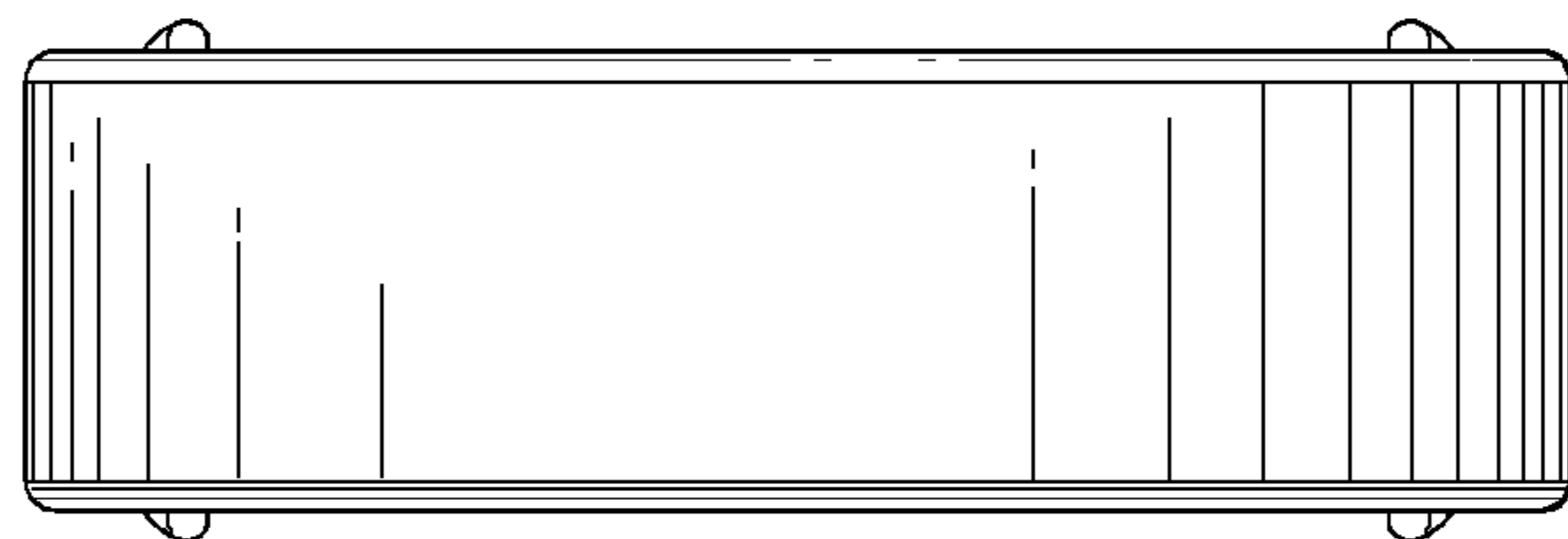


FIG. 6

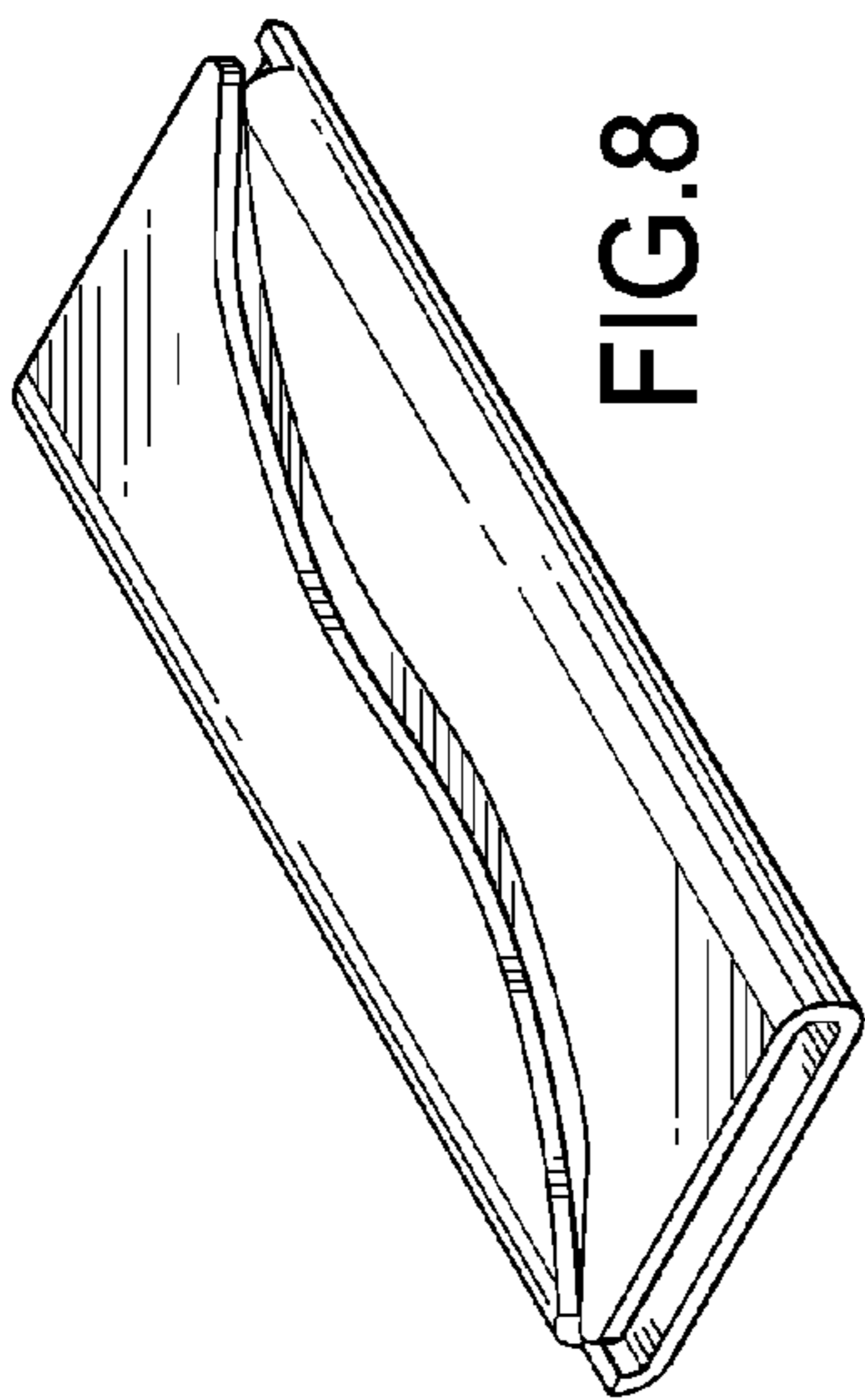


FIG. 8

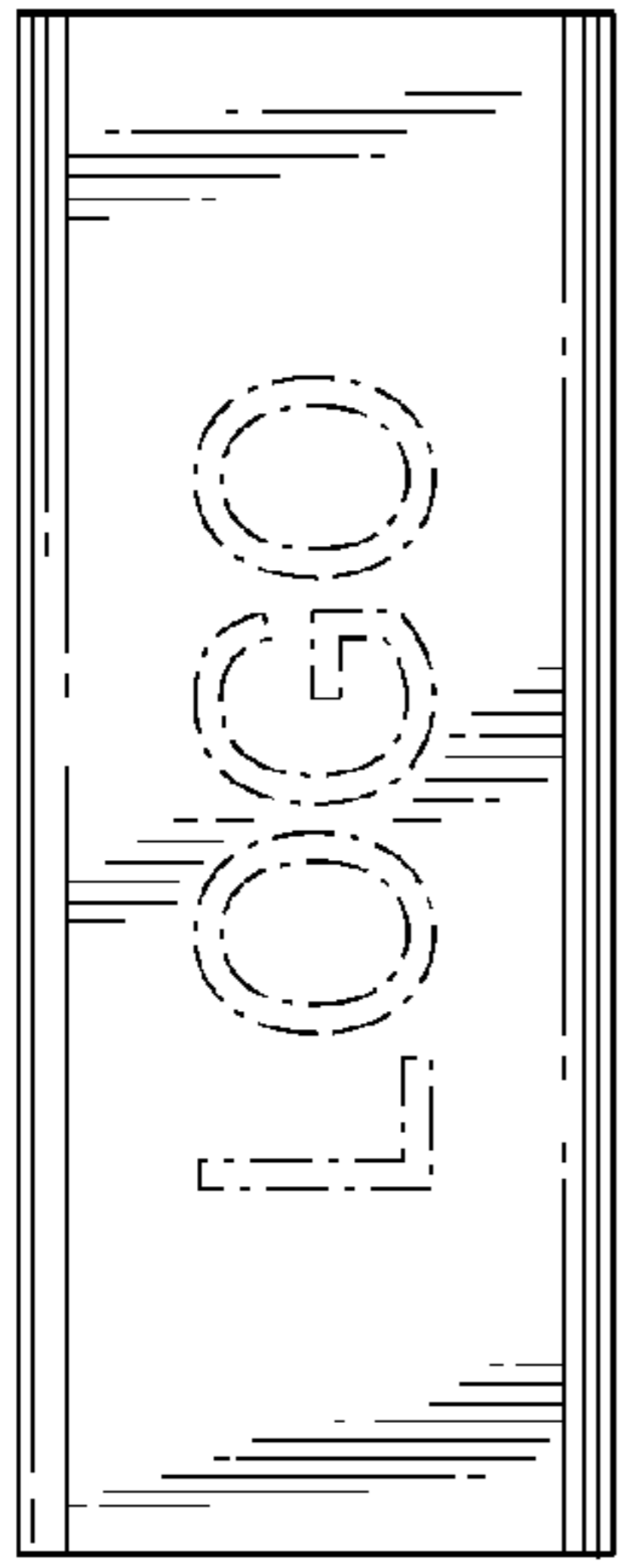


FIG. 13

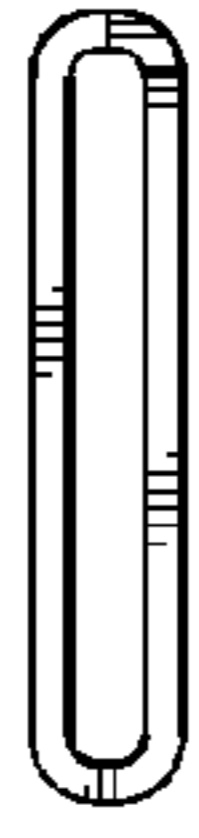


FIG. 11

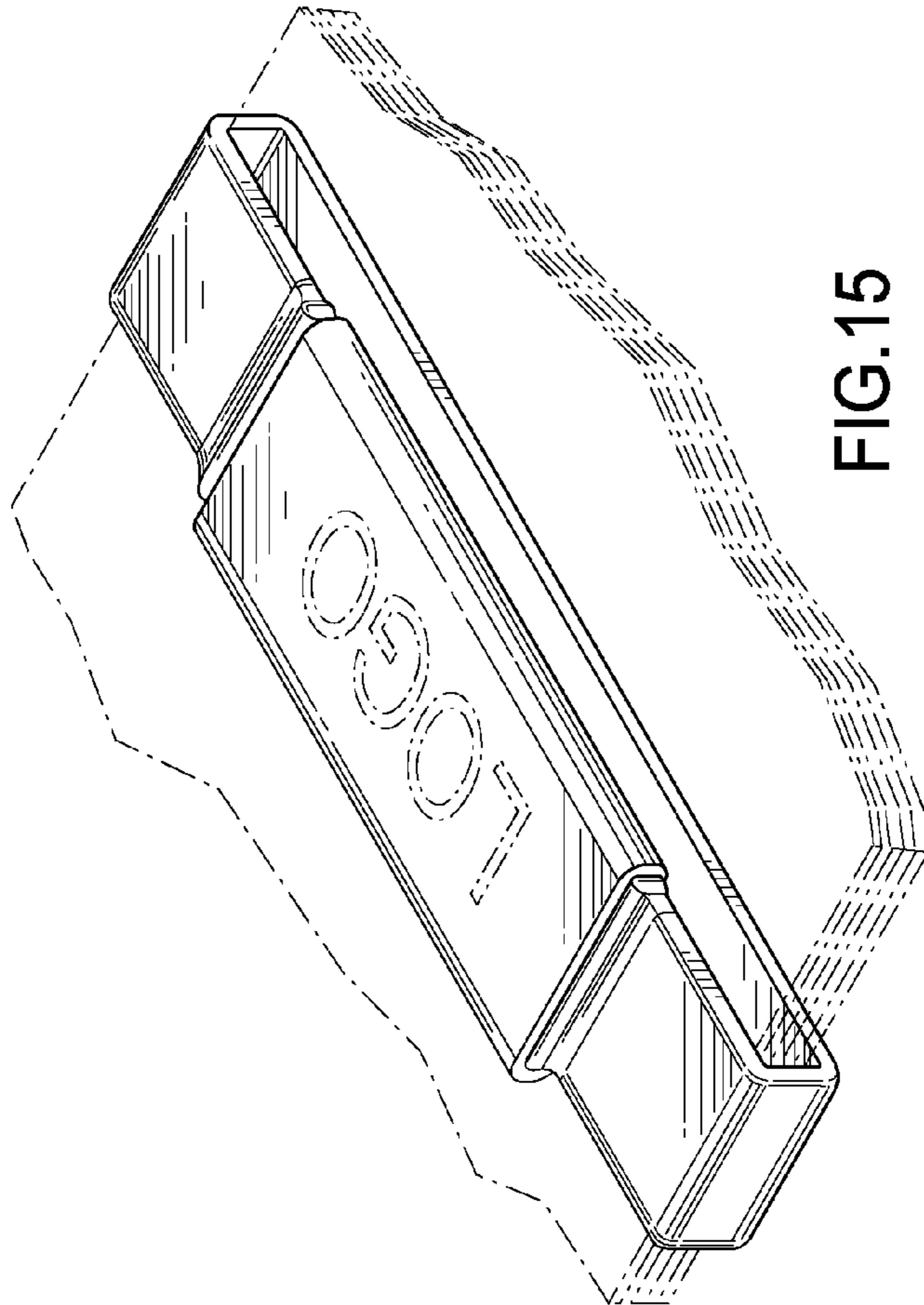


FIG. 15



FIG. 9

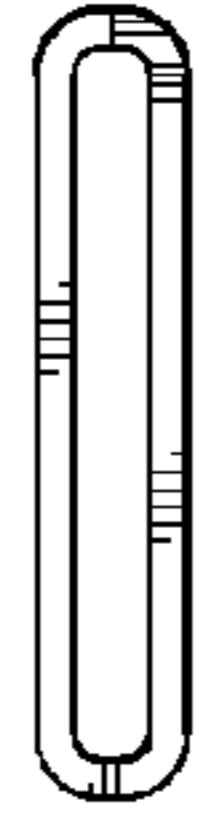


FIG. 12

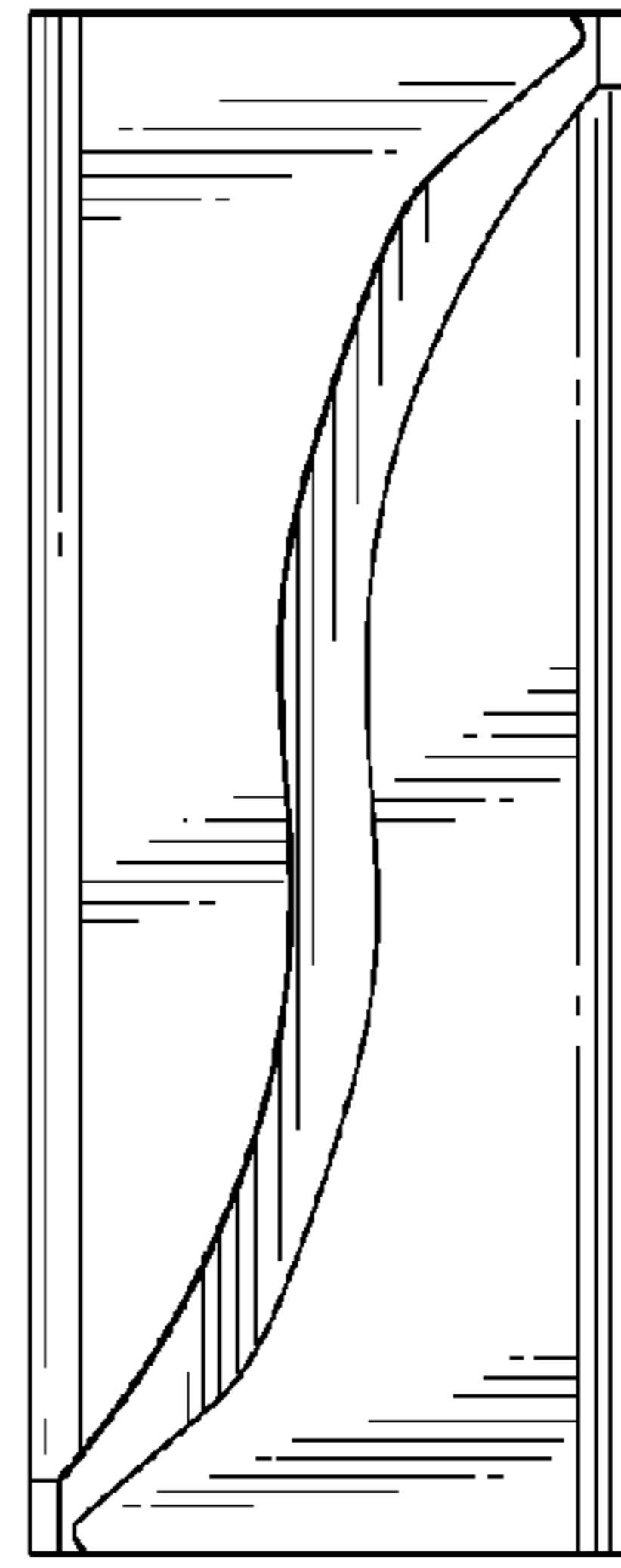


FIG. 14



FIG. 10



FIG. 16

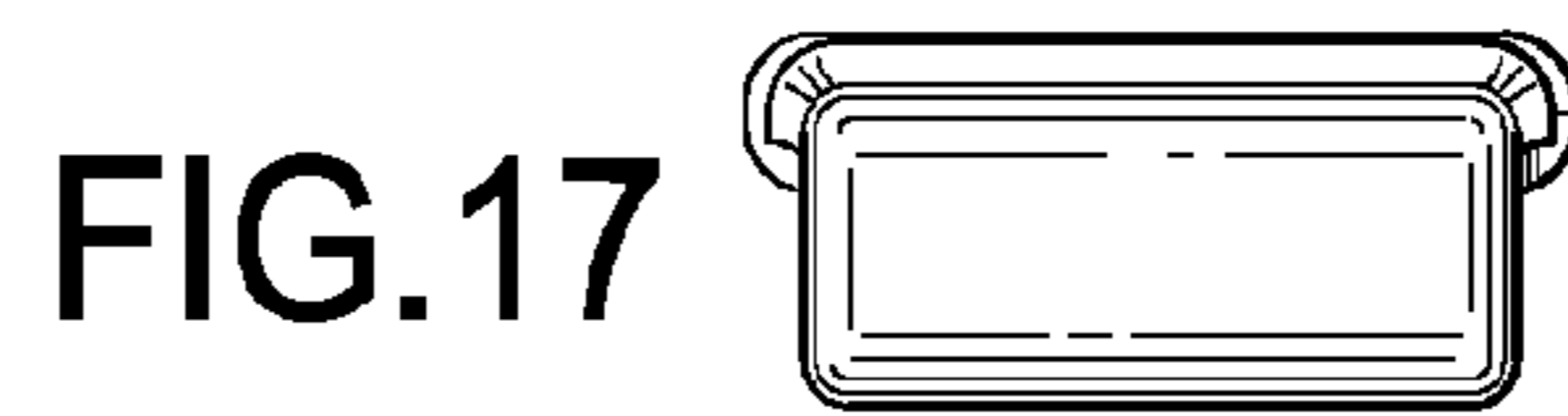


FIG. 17

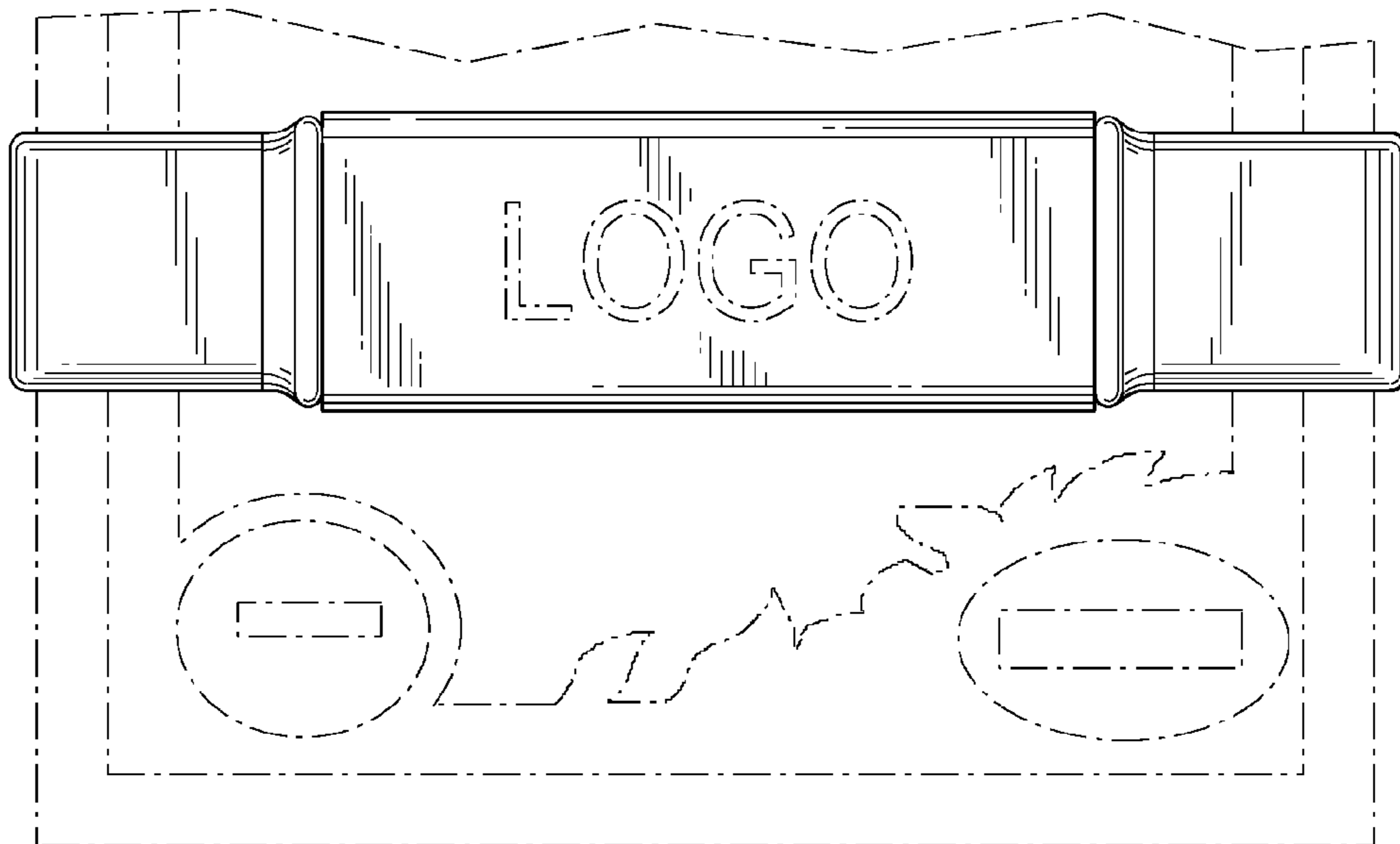


FIG. 18

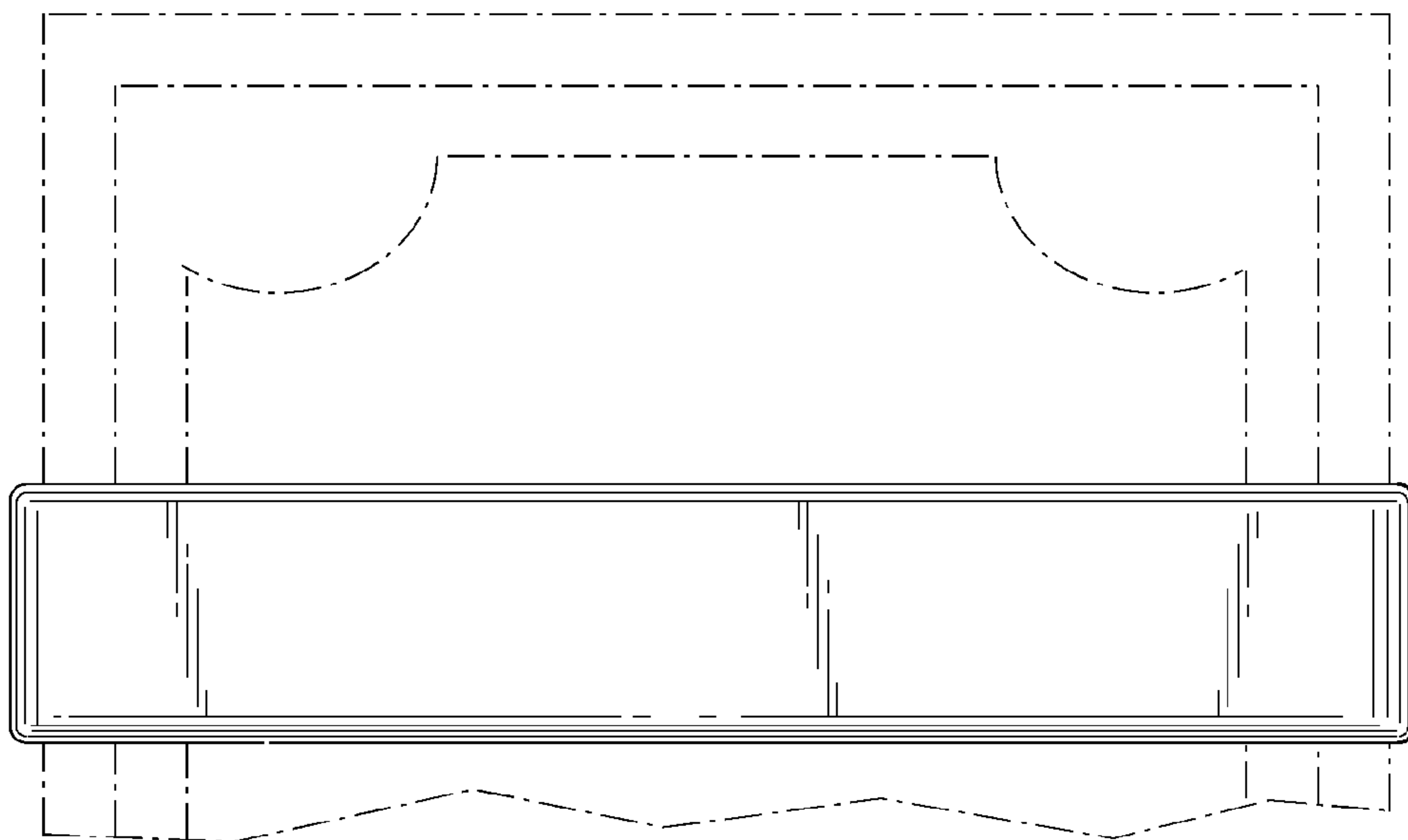


FIG. 19