

US00D636691S

(12) **United States Design Patent**  
**Galloway**

(10) **Patent No.:** **US D636,691 S**

(45) **Date of Patent:** **\*\* Apr. 26, 2011**

(54) **WATCH DIAL**

(75) **Inventor:** **Scott Galloway**, Doncaster (GB)

(73) **Assignee:** **Tokyoflash Japan Pte Ltd.**, Singapore (SG)

(\*\*) **Term:** **14 Years**

(21) **Appl. No.:** **29/383,211**

(22) **Filed:** **Jan. 13, 2011**

(30) **Foreign Application Priority Data**

Nov. 8, 2010 (HK) ..... 1002048

(51) **LOC (9) Cl.** ..... **10-07**

(52) **U.S. Cl.** ..... **D10/125**

(58) **Field of Classification Search** ..... D10/122-126,  
D10/30-39; 368/276, 281, 282, 285, 223,  
368/232, 239-242, 233

See application file for complete search history.

(56) **References Cited**

**U.S. PATENT DOCUMENTS**

D203,760 S \* 2/1966 Morris ..... D10/124  
D218,946 S \* 10/1970 Worthington ..... D10/25  
D224,047 S \* 6/1972 Hill, Jr. .... D10/102  
D224,550 S \* 8/1972 Fainsilber ..... D10/22

D293,422 S \* 12/1987 Nunes ..... D10/57  
D328,721 S \* 8/1992 Kaneko ..... D10/126  
5,894,457 A \* 4/1999 Luth ..... 368/108  
D525,150 S \* 7/2006 Mantovani ..... D10/38  
D528,439 S \* 9/2006 Burton ..... D10/32  
D545,713 S \* 7/2007 Waldman ..... D10/125  
D586,682 S \* 2/2009 Waldman ..... D10/125  
D589,374 S \* 3/2009 Tang ..... D10/32  
D589,375 S \* 3/2009 Tang ..... D10/32  
D621,726 S \* 8/2010 Lattmann ..... D10/38  
D632,200 S \* 2/2011 Kauffmann ..... D10/126

\* cited by examiner

*Primary Examiner* — Lucy Lieberman

(74) *Attorney, Agent, or Firm* — Intellectual Property Law Group LLP; Juneko Jackson; Otto O. Lee

(57) **CLAIM**

The ornamental design for a watch dial, as shown and described.

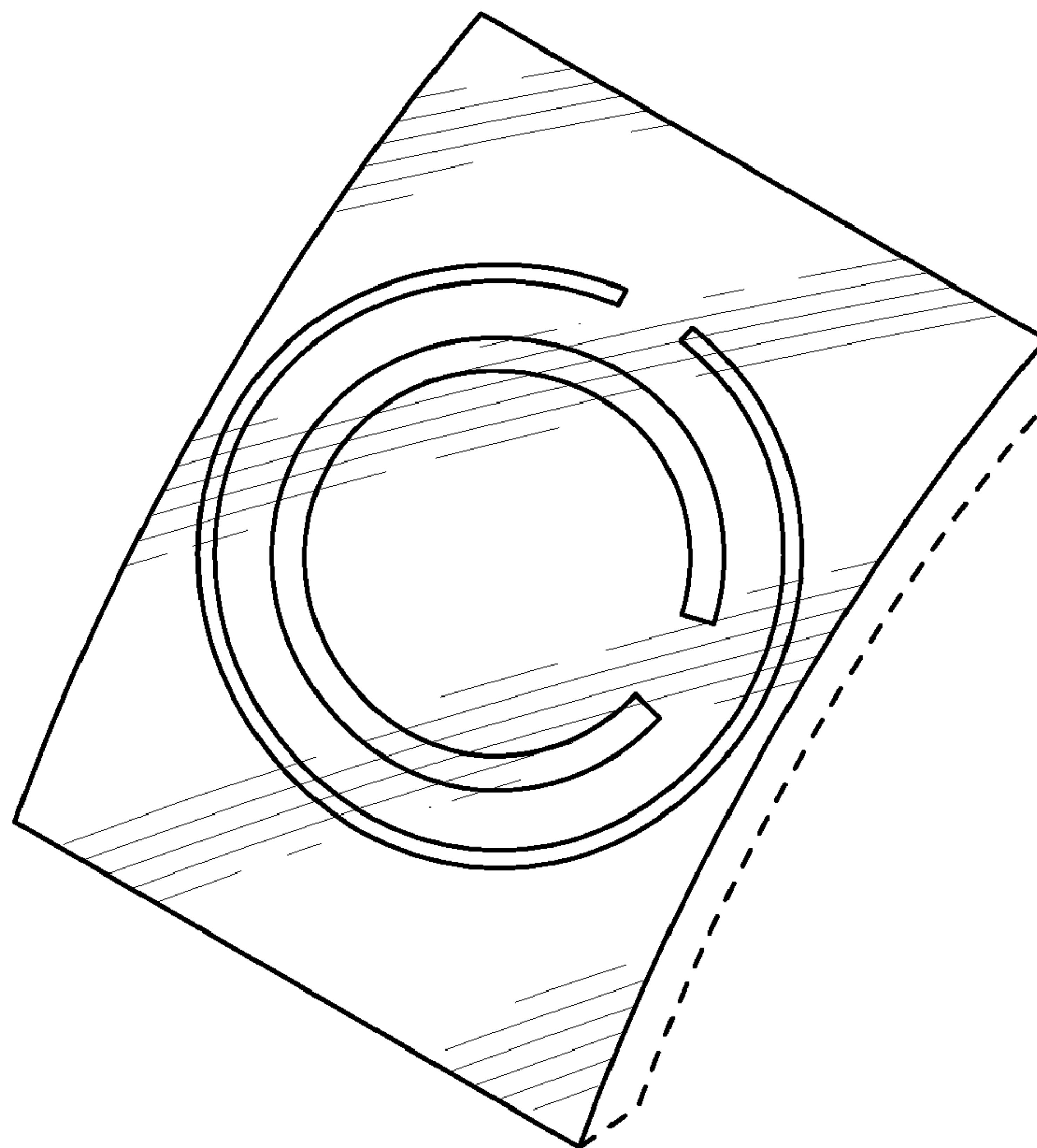
**DESCRIPTION**

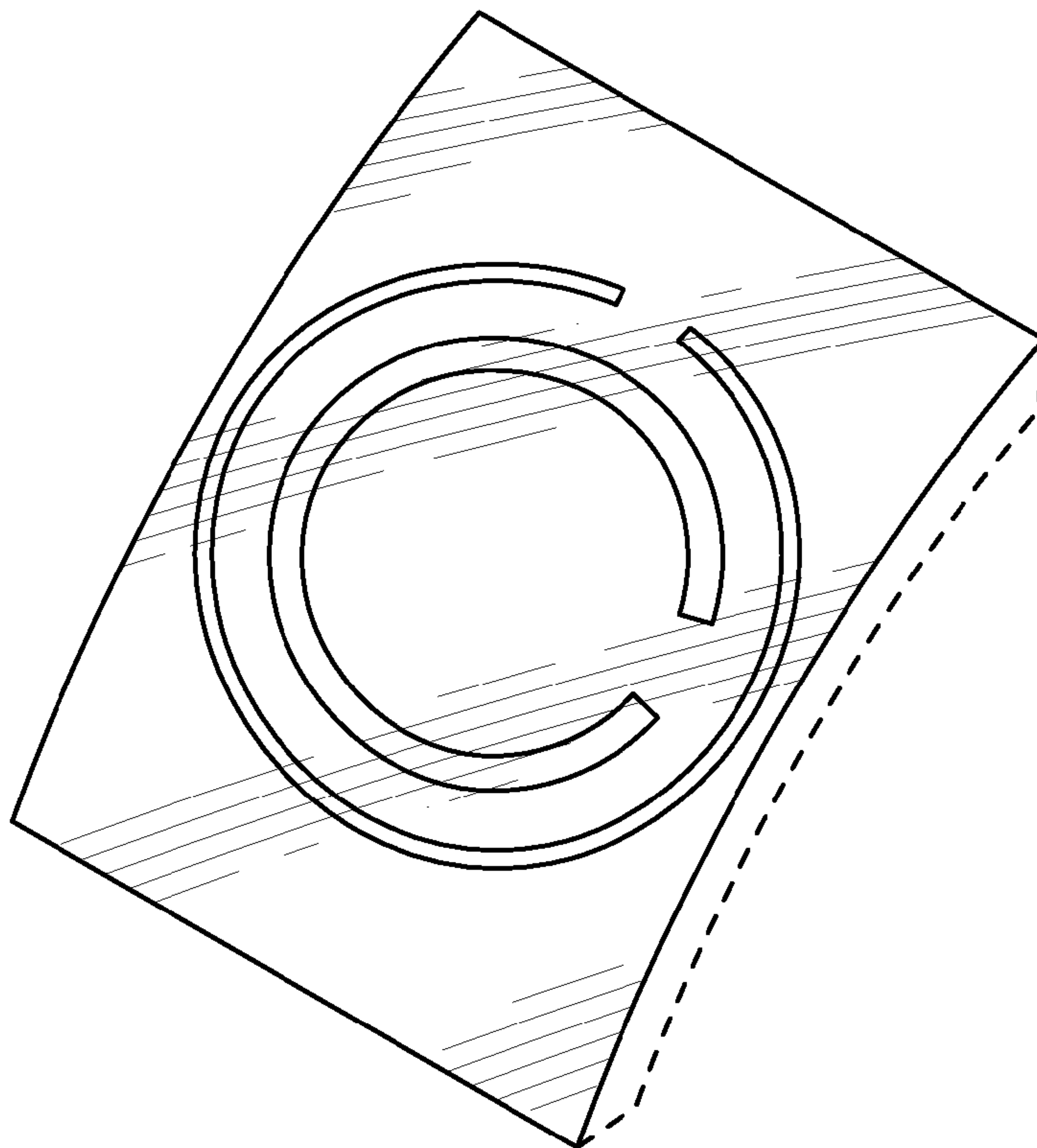
FIG. 1 is a perspective view of a watch dial embodying my new design; and,

FIG. 2 is a front view thereof.

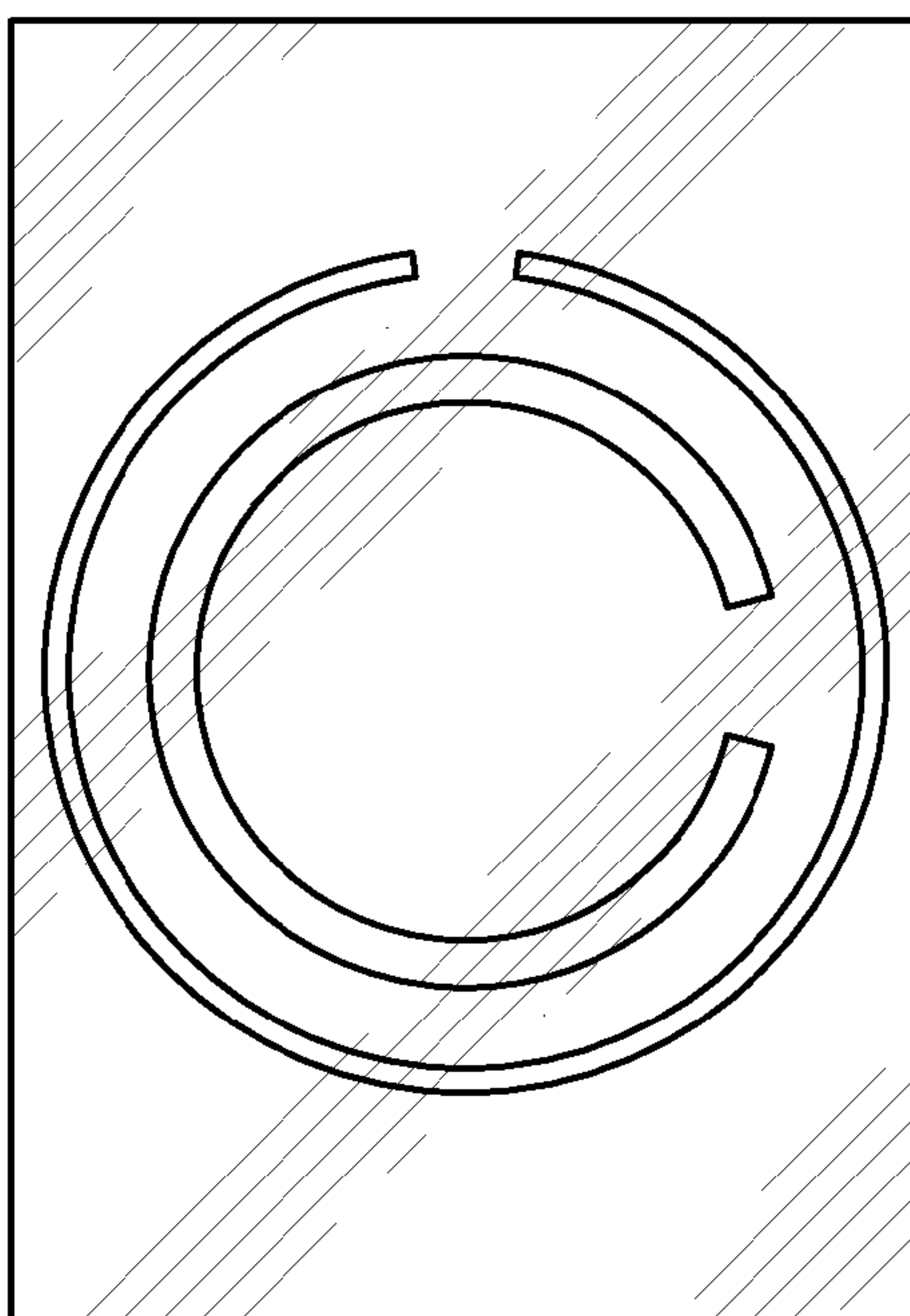
The broken lines in the drawings is environment only and do not form part of the claimed design.

**1 Claim, 1 Drawing Sheet**





**FIG. 1**



**FIG. 2**