



US00D636689S

(12) **United States Design Patent**  
**Laurino et al.**

(10) **Patent No.:** **US D636,689 S**  
(45) **Date of Patent:** **\*\* Apr. 26, 2011**

(54) **CLAMP METER**

*Primary Examiner* — Antoine D Davis

(75) Inventors: **Ferdinand Laurino**, Seattle, WA (US);  
**Matthew Marzynski**, Seattle, WA (US);  
**Christopher W. Lagerberg**, Seattle, WA (US)

(74) *Attorney, Agent, or Firm* — Perkins Coie LLP

(73) Assignee: **Fluke Corporation**, Everett, WA (US)

(57) **CLAIM**

The ornamental design for a clamp meter, as shown and described.

(\*\*) Term: **14 Years**

(21) Appl. No.: **29/346,464**

**DESCRIPTION**

(22) Filed: **Oct. 30, 2009**

(51) **LOC (9) Cl.** ..... **10-04**

(52) **U.S. Cl.** ..... **D10/79**

(58) **Field of Classification Search** ..... D10/79;

324/72.5, 556, 133, 149, 503, 543, 555, 66,

324/72, 754, 115, 141, 116; 340/635, 687

See application file for complete search history.

FIG. 1 is a front view of an embodiment of a clamp meter.

FIG. 2 is a left side view thereof.

FIG. 3 is a right view thereof.

FIG. 4 is a back view thereof.

FIG. 5 is a top view thereof.

FIG. 6 is a bottom view thereof.

FIG. 7 is a first perspective view thereof.

FIG. 8 is a second perspective view thereof.

FIG. 9 is a third perspective view thereof.

FIG. 10 is a fourth perspective view thereof; and,

FIG. 11 is a fifth perspective view thereof.

The broken line showing of structural features is included for the purpose of illustrating non-claimed subject matter and forms no part of the claimed design.

(56) **References Cited**

U.S. PATENT DOCUMENTS

D450,002 S \* 11/2001 Chang ..... D10/79

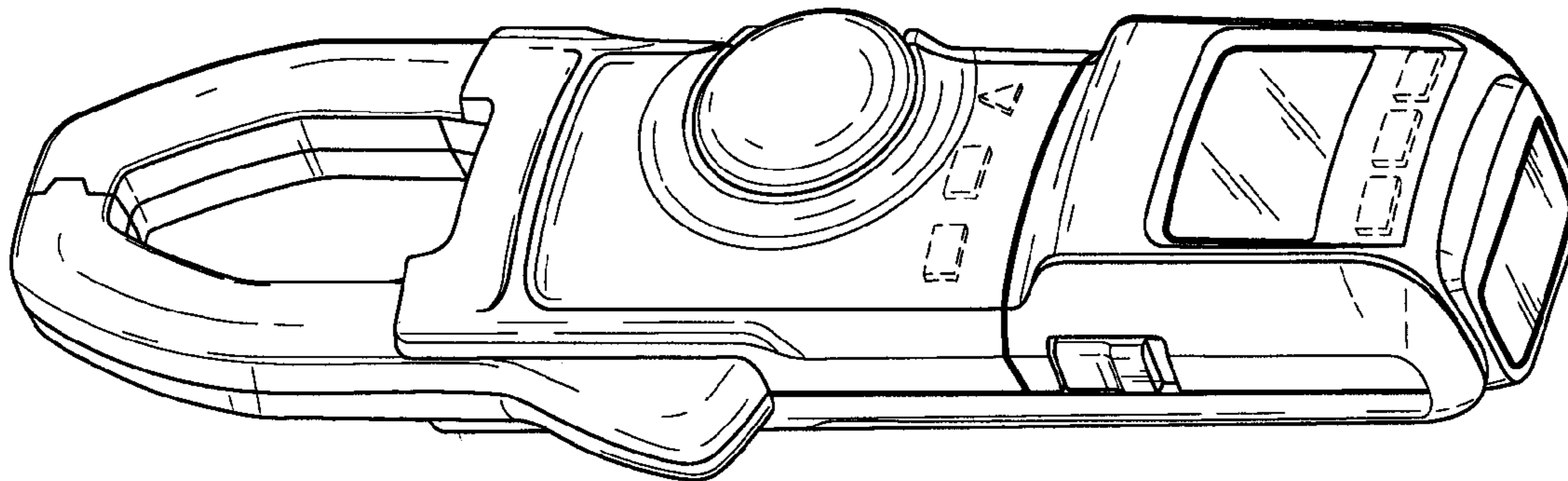
D545,704 S \* 7/2007 Kuramoto ..... D10/79

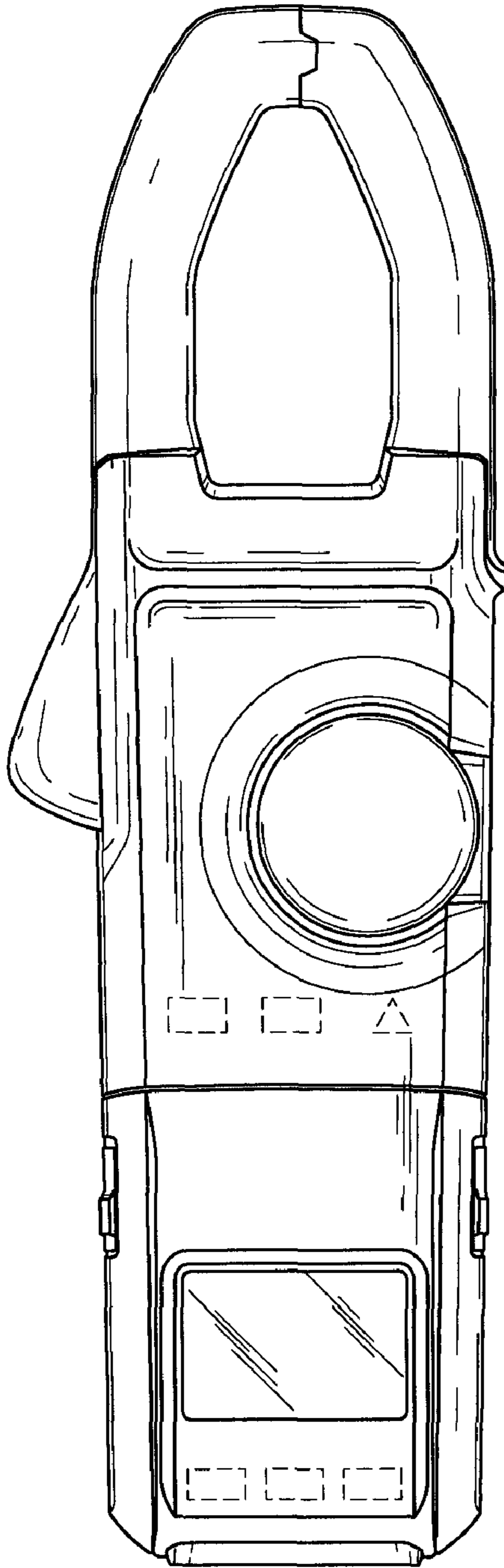
D567,687 S \* 4/2008 Elrod ..... D10/79

7,750,621 B1 \* 7/2010 Liu ..... 324/126

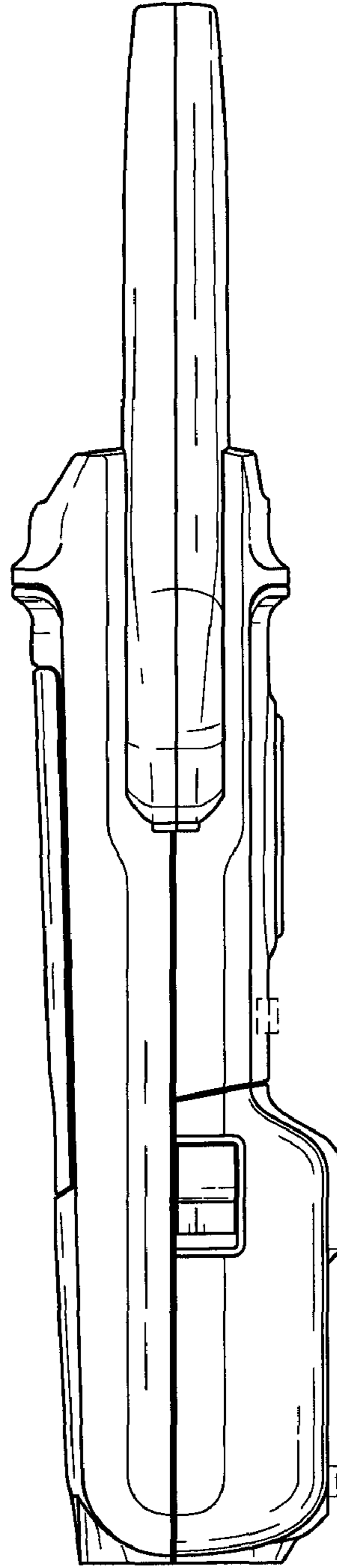
\* cited by examiner

**1 Claim, 4 Drawing Sheets**

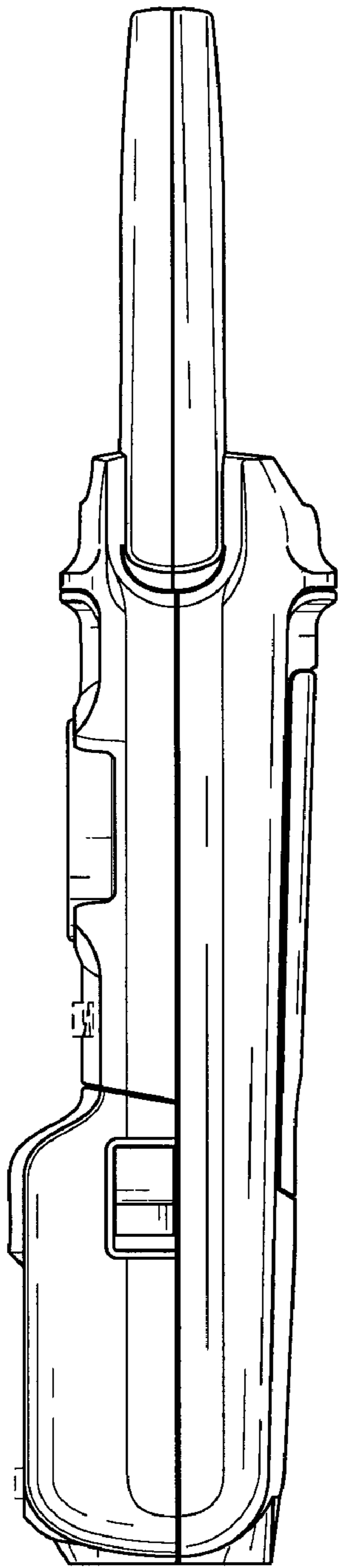




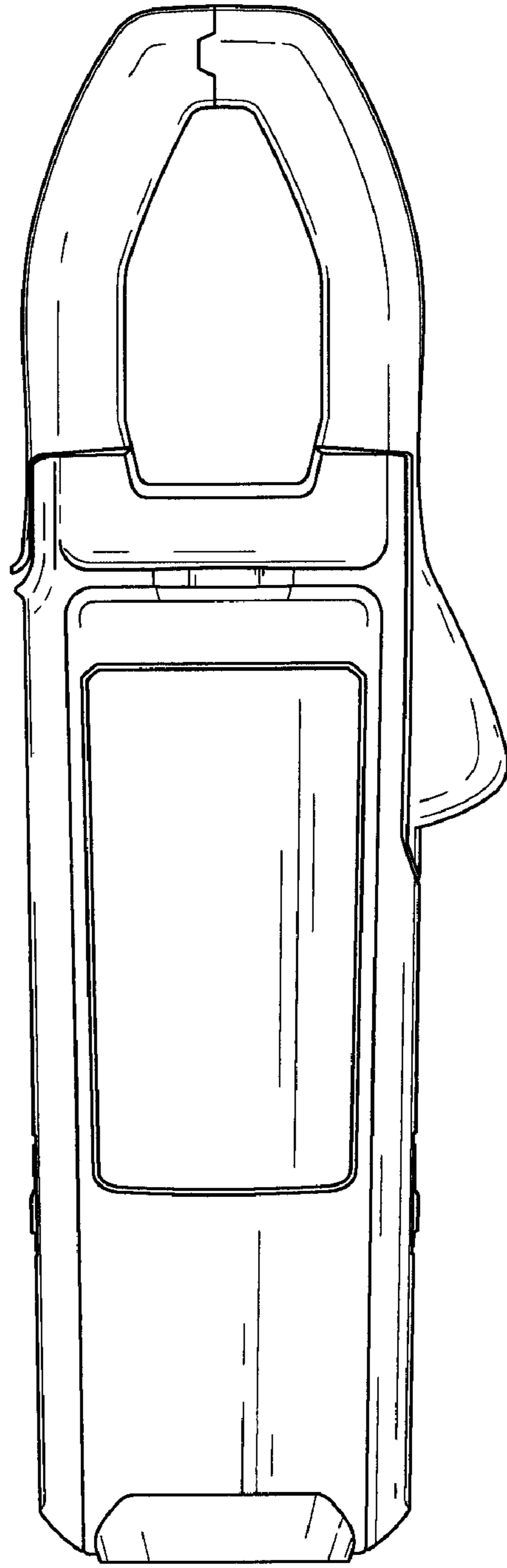
*Fig. 1*



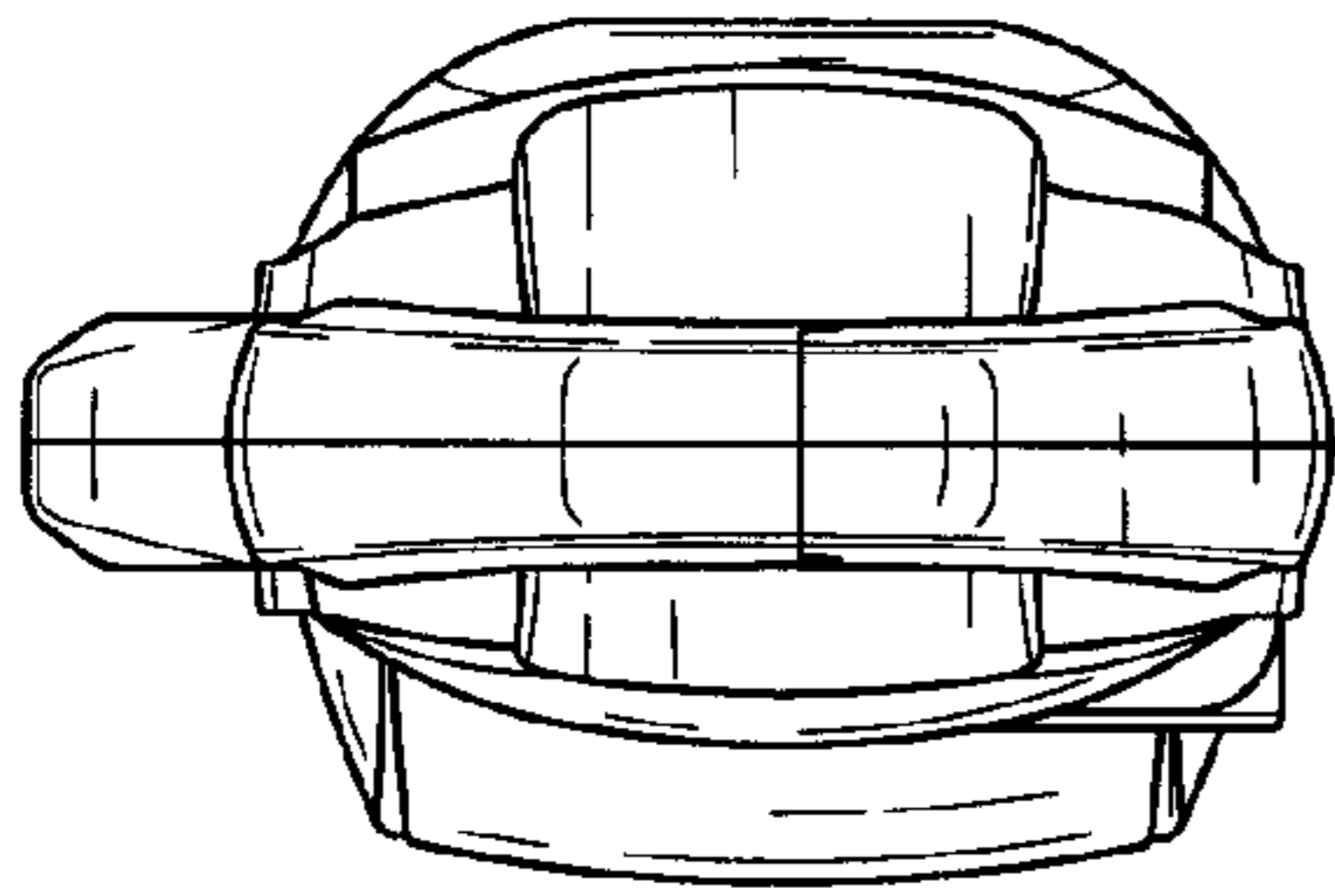
*Fig. 2*



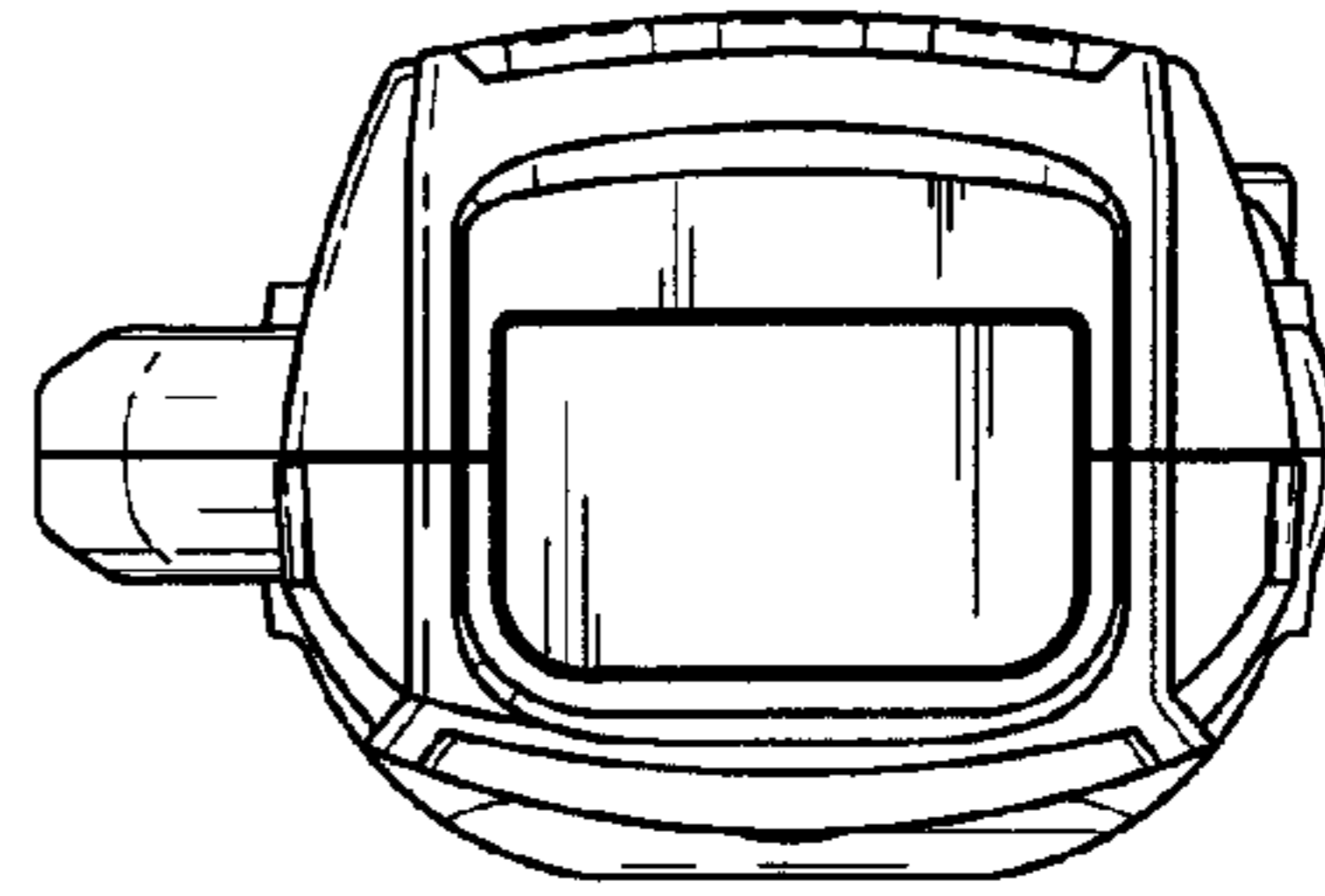
*Fig. 3*



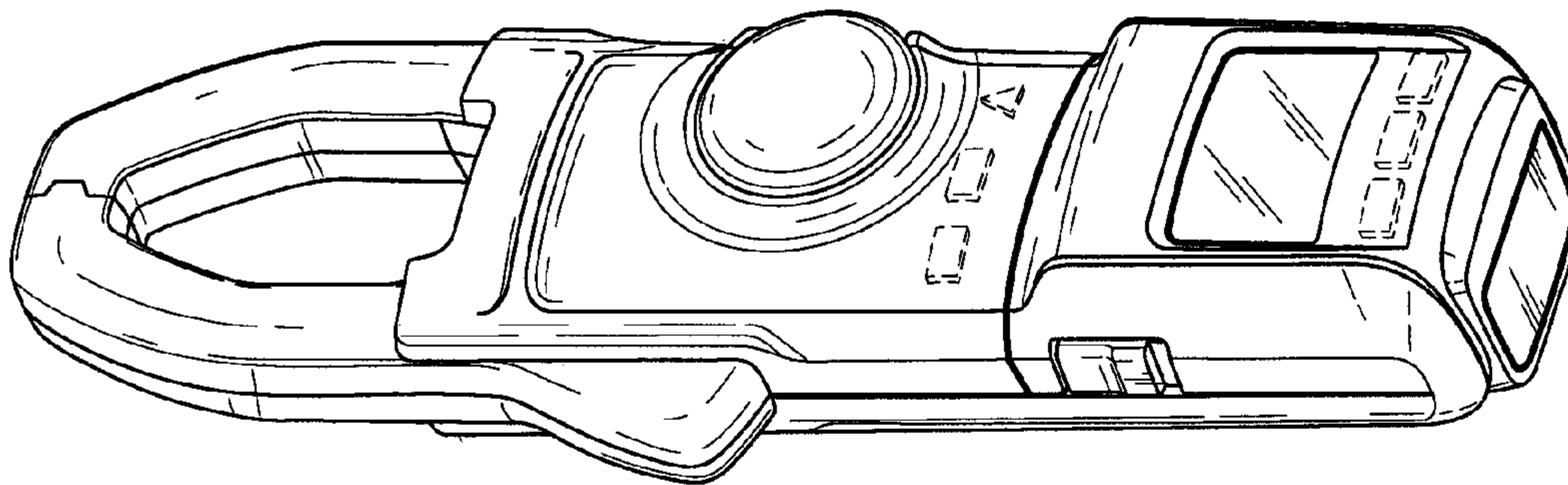
*Fig. 4*



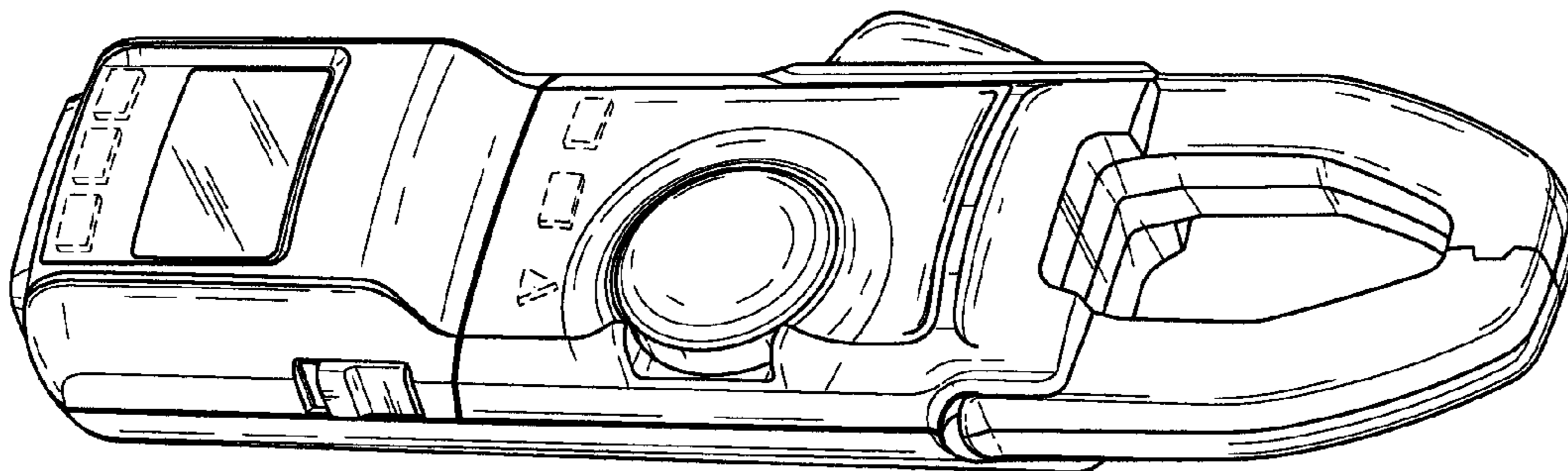
*Fig. 5*



*Fig. 6*

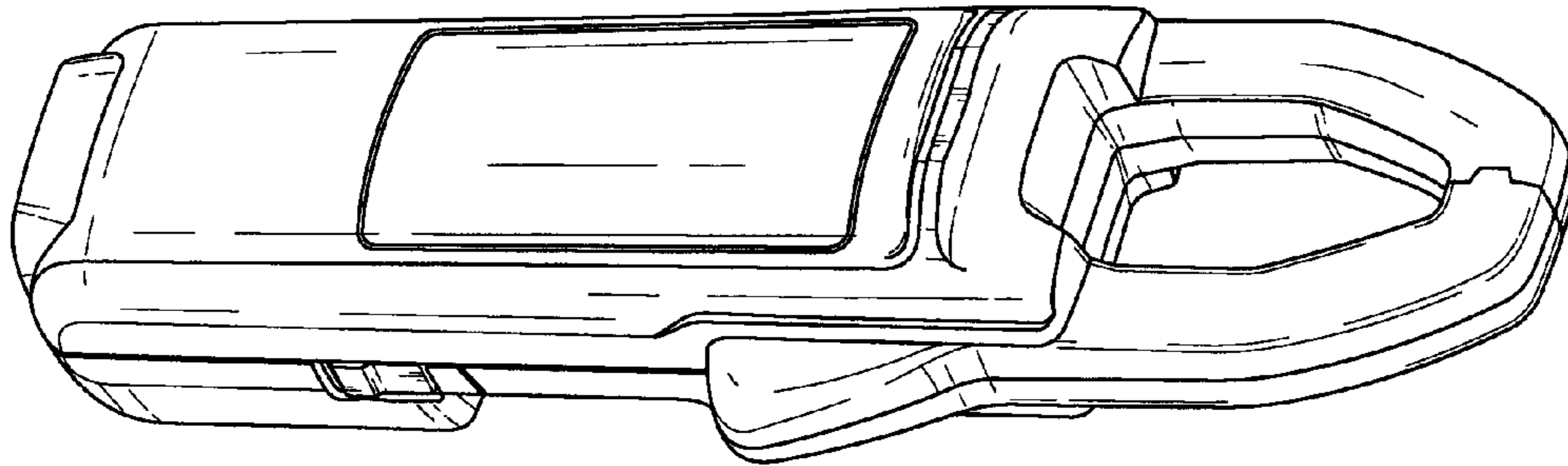


*Fig. 7*

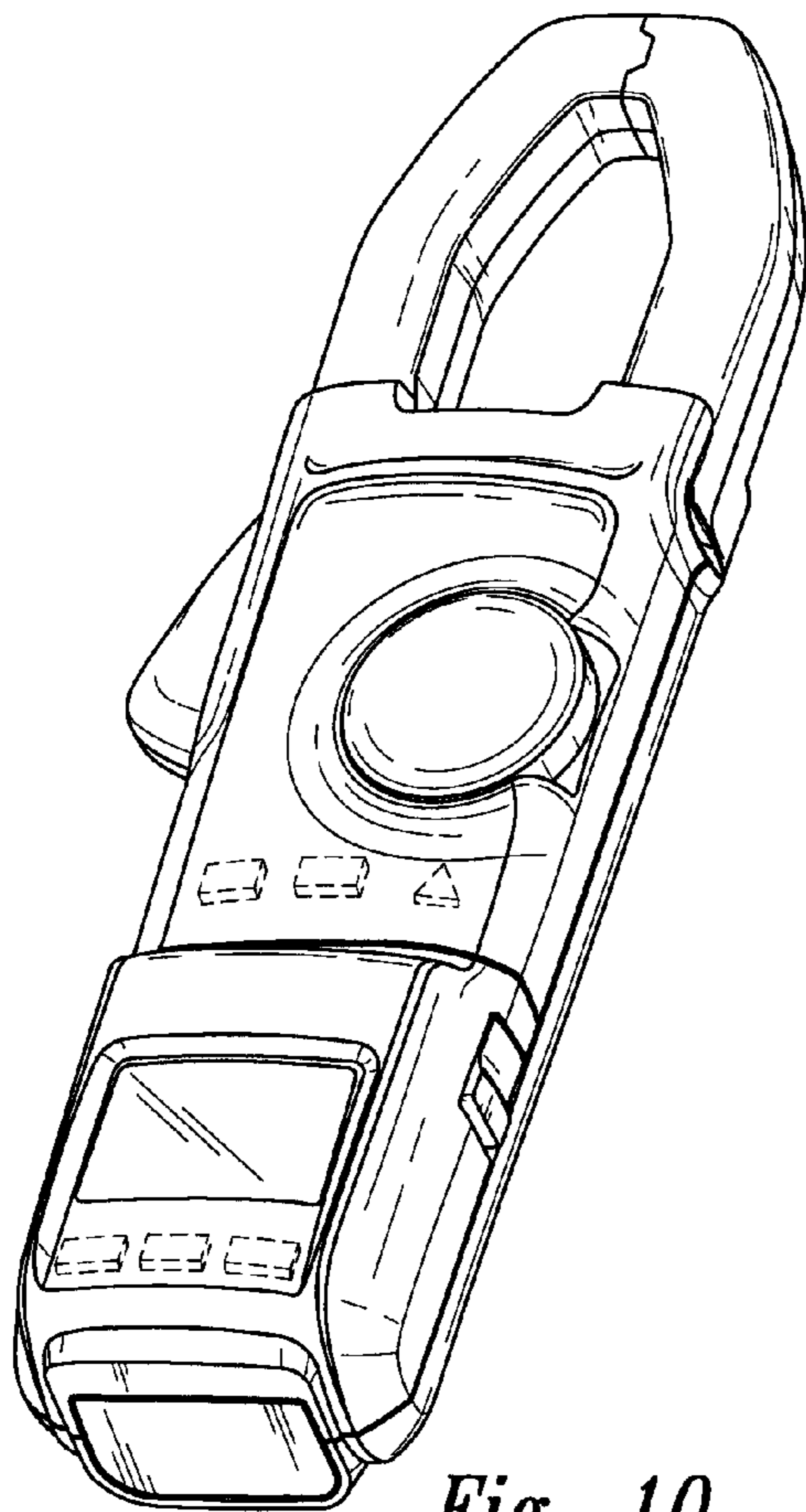


*Fig. 8*

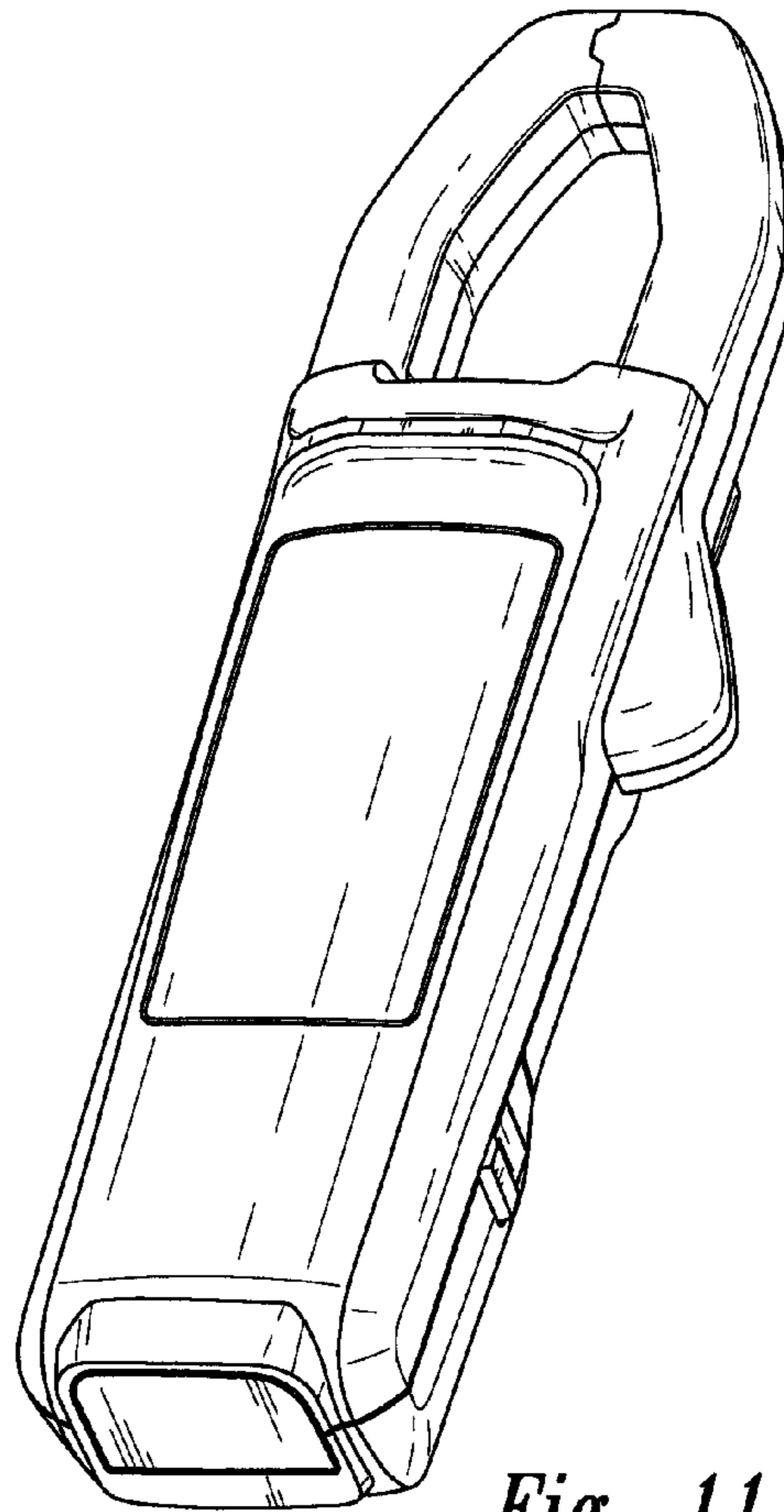




*Fig. 9*



*Fig. 10*



*Fig. 11*