



US00D636686S

(12) **United States Design Patent**
Cobbett et al.

(10) **Patent No.:** **US D636,686 S**
(45) **Date of Patent:** **** Apr. 26, 2011**

(54) **WATCH**
(75) Inventors: **Jamian R. Cobbett**, Portland, OR (US);
Philip A. Frank, Portland, OR (US)
(73) Assignee: **NIKE, Inc.**, Beaverton, OR (US)
(**) Term: **14 Years**
(21) Appl. No.: **29/382,492**
(22) Filed: **Jan. 4, 2011**

(51) **LOC (9) Cl.** **10-02**
(52) **U.S. Cl.** **D10/38**
(58) **Field of Classification Search** D10/30-39;
368/10, 276, 278, 281, 282, 283, 285; D11/3,
D11/2

See application file for complete search history.

(56) **References Cited**

U.S. PATENT DOCUMENTS

| | | | |
|--------------|---------|-----------|--------|
| 2,191,314 A | 2/1940 | Davis | |
| D217,015 S | 3/1970 | Cowan | |
| 3,521,798 A | 7/1970 | Hill | |
| D220,523 S | 4/1971 | Cowan | |
| D220,524 S | 4/1971 | Cowan | |
| D220,529 S | 4/1971 | Cowan | |
| D239,512 S * | 4/1976 | Tsukui | D10/38 |
| D248,631 S | 7/1978 | Lossini | |
| D254,964 S | 5/1980 | Hofman | |
| D255,017 S | 5/1980 | Hofman | |
| D279,671 S | 7/1985 | Stanton | |
| D284,642 S * | 7/1986 | Kabaya | D10/38 |
| D285,422 S | 9/1986 | Grimes | |
| D286,511 S | 11/1986 | Wada | |
| D291,973 S | 9/1987 | Doi | |
| D313,941 S * | 1/1991 | Wakamatsu | D10/38 |
| D317,872 S | 7/1991 | Dobashi | |
| D327,440 S | 6/1992 | Galli | |
| D339,748 S | 9/1993 | Choi | |
| D346,762 S | 5/1994 | Hysek | |
| D349,257 S | 8/1994 | Polenberg | |
| D355,611 S | 2/1995 | Hanagata | |
| D366,036 S | 1/1996 | Houlihan | |

| | | | |
|--------------|---------|-----------------|--------|
| D391,860 S | 3/1998 | Kubo | |
| D391,862 S * | 3/1998 | Sugisawa et al. | D10/30 |
| D395,403 S | 6/1998 | Hysek | |
| D401,159 S | 11/1998 | Sugita | |
| D410,854 S | 6/1999 | Cheung et al. | |
| D413,818 S * | 9/1999 | Baumann | D10/32 |
| D432,437 S * | 10/2000 | Lassigne | D10/32 |
| D445,697 S * | 7/2001 | Hysek | D10/30 |
| D446,130 S * | 8/2001 | Nakanishi | D10/38 |
| D448,680 S | 10/2001 | Kubo | |
| D452,006 S | 12/2001 | Komulainen | |
| D455,084 S | 4/2002 | Mauboussin | |
| D460,430 S | 7/2002 | Wada et al. | |

(Continued)

OTHER PUBLICATIONS

Nike+ SportBand, Nike, Inc., one full-color sheet of photographs, disclosed on or about Apr. 2008.

(Continued)

Primary Examiner — Lucy Lieberman

(74) *Attorney, Agent, or Firm* — Banner & Witcoff, Ltd.

(57) **CLAIM**

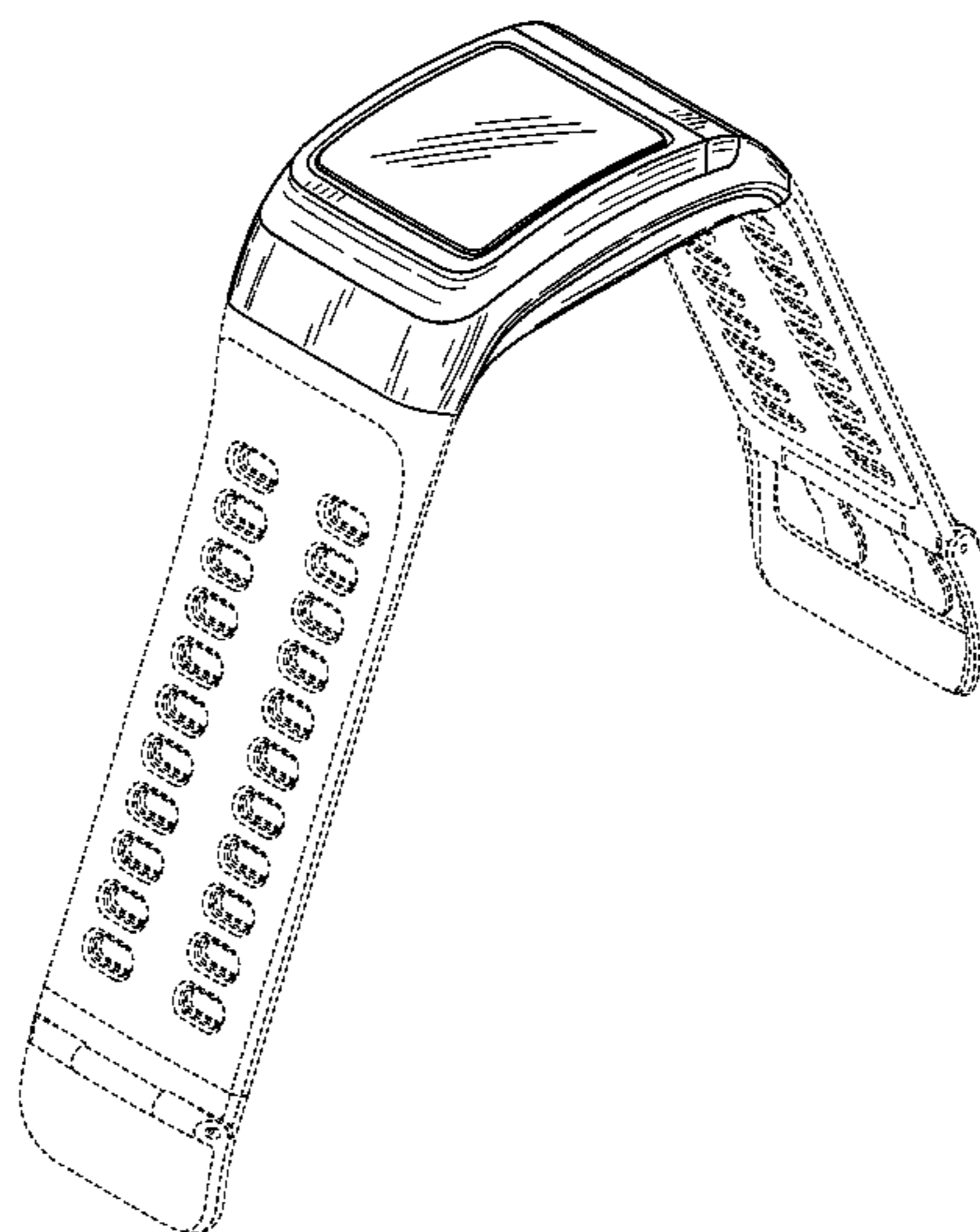
The ornamental design for a watch, as shown and described.

DESCRIPTION

FIG. 1 is a perspective view of a watch showing our new design;
FIG. 2 is a bottom view thereof;
FIG. 3 is a top view thereof;
FIG. 4 is a right side view thereof;
FIG. 5 is a left side view thereof;
FIG. 6 is a front view thereof; and,
FIG. 7 is a rear view thereof.

The broken lines immediately adjacent to the shaded area represent unclaimed boundaries of the design. The broken lines showing the remainder of the watch are for environmental purposes only and form no part of the claimed design.

1 Claim, 5 Drawing Sheets



U.S. PATENT DOCUMENTS

| | | | | |
|--------------|------|---------|---------------------|------------|
| D464,273 | S | 10/2002 | Nussbaum | |
| D475,306 | S | 6/2003 | Modolo | |
| D475,935 | S * | 6/2003 | Modolo | D10/39 |
| D497,827 | S | 11/2004 | Yamamoto | |
| D508,210 | S | 8/2005 | Lalo | |
| D513,195 | S | 12/2005 | Gruosi | |
| D526,215 | S | 8/2006 | Calvani | |
| D526,912 | S | 8/2006 | Calvani | |
| D534,438 | S * | 1/2007 | Bedat | D10/32 |
| D535,205 | S | 1/2007 | Frederick et al. | |
| D538,687 | S | 3/2007 | Komulainen | |
| D544,377 | S * | 6/2007 | Chodat | D10/38 |
| D545,220 | S * | 6/2007 | Leung | D10/31 |
| D563,799 | S * | 3/2008 | Holtzman | D10/39 |
| D564,367 | S | 3/2008 | Molyneux | |
| D564,904 | S * | 3/2008 | Leung | D10/31 |
| D566,583 | S * | 4/2008 | Holtzman | D10/39 |
| D580,277 | S | 11/2008 | Brady et al. | |
| D581,826 | S | 12/2008 | Molyneux | |
| D589,375 | S | 3/2009 | Tang | |
| D590,278 | S | 4/2009 | Holtzman | |
| D606,423 | S | 12/2009 | Mille | |
| D619,928 | S | 7/2010 | Bodino et al. | |
| 7,778,118 | B2 | 8/2010 | Lyons et al. | |
| D623,965 | S | 9/2010 | Sullivan et al. | |
| 2010/0311544 | A1 | 12/2010 | Robinette et al. | |
| 2011/0003665 | A1 | 1/2011 | Burton et al. | |
| 2011/0007468 | A1 * | 1/2011 | Burton et al. | 361/679.03 |
| 2011/0032105 | A1 * | 2/2011 | Hoffman et al. | 340/573.1 |

OTHER PUBLICATIONS

Garmin Forerunner 310XT, disclosed on or about Apr. 2009, [online], [site visited Jan. 26, 2011]. Available from Internet, <URL: http://device.com/archives/2009/04/garmin_forerunn.php>.

E-Ink Digital Display Watch, disclosed on or about Feb. 2010, [online], [site visited Jan. 26, 2011]. Available from Internet, <URL: <http://www.thinkgeek.com>>.

Tokyoflash USB Memory Watch, disclosed on or about Mar. 2010, [online], [site visited Jan. 26, 2011]. Available from Internet, <URL: <http://www.tokyoflash.com/blog/2010/03/usb-memory-watch>>.

Gadget4All USB Wristwatch, disclosed on or about May 2009, [online], [site visited Jan. 26, 2011]. Available from Internet, <URL:

<http://www.technology-guide.co.uk/post/2009/05/26/Watches-with-built-in-flash-drive.aspx>>.

Design-Brothers Timeless Watch, disclosed on or about Aug. 2008, [online], [site visited Jan. 26, 2011]. Available from Internet, <URL: <http://gadgets.boingboing.net/2008/08/08/usb-watch-strap-weds.html>>.

USB Bracelet, disclosed on or about Mar. 2006, [online], [site visited Jan. 26, 2011]. Available from Internet, <URL: <http://techtickerblog.com/2006/03/20/weird-usb-devices>>.

USB Memory Watch, disclosed on or about Nov. 2007, [online], [site visited Jan. 26, 2011]. Available from Internet, <URL: <http://www.citywatchinternational.com>>.

Edge Tech DiskGO USB Watch Flash Drive (Sport Style), disclosed on or about Jan. 2010, [online], [site visited Jan. 26, 2011]. Available from Internet, <URL: <http://www.edgetechcorp.com>>.

Migo Smart USB Watch, disclosed on or about Jun. 2005, [online], [site visited Jan. 26, 2011]. Available from Internet, <URL: <http://www.smh.com.au/newx/hardware/data-watch/2005/06/15/1118645849587.html>>.

Laks USB Drive Sports Watch, disclosed on or about Jul. 2003, [online], [site visited Jan. 26, 2011]. Available from Internet, <URL: <http://www.ateam.com.tw/usb%20watch.htm>>.

USB Hidden Flash Drive Watch, disclosed on or about Dec. 2008, [online], [site visited Jan. 26, 2011]. Available from Internet, <URL: <http://www.thinkgeek.com>>.

USB Flash Drive Watch, disclosed on or about Nov. 2010, [online], [site visited Jan. 26, 2011]. Available from Internet, <URL: <http://www.geekalerts.com/usb-flash-drive-watch>>.

Edge Tech DiskGO USB Watch Flash Drive (Dress Style), disclosed on or about Jan. 2010, [online], [site visited Jan. 26, 2011]. Available from Internet, <URL: <http://www.edgetechcorp.com>>.

USB Jewel Watch Necklace, disclosed on or about Jun. 2009, [online], [site visited Jan. 26, 2011]. Available from Internet, <URL: <http://gadgets.boingboing.net/2009/06/16/diamond-usb-watch-ne.html>>.

SpyNet Mission Video Watch, disclosed on or about Feb. 2010, [online], [site visited Jan. 26, 2011]. Available from Internet, <URL: <http://www.thinkgeek.com>>.

* cited by examiner

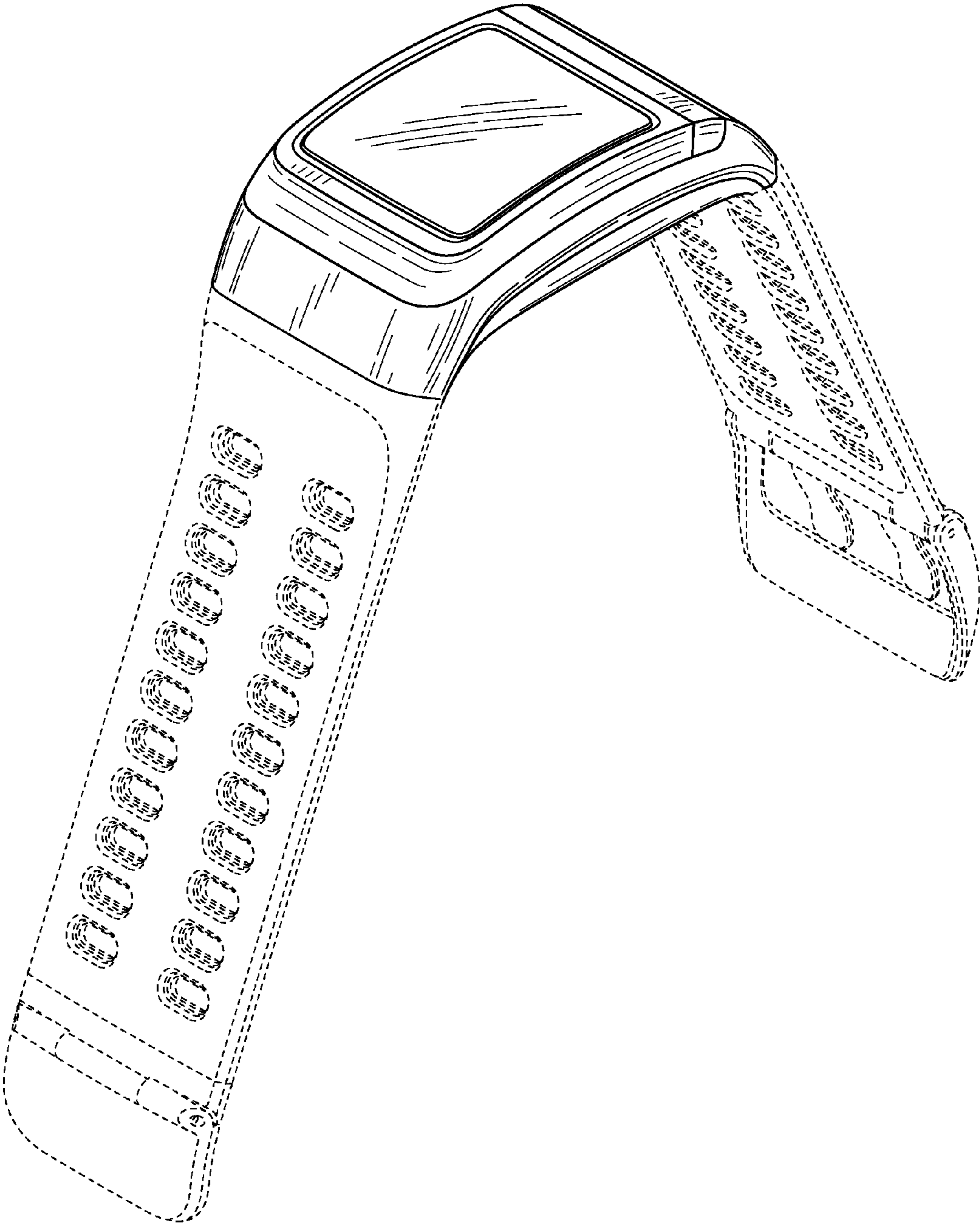


FIG. 1

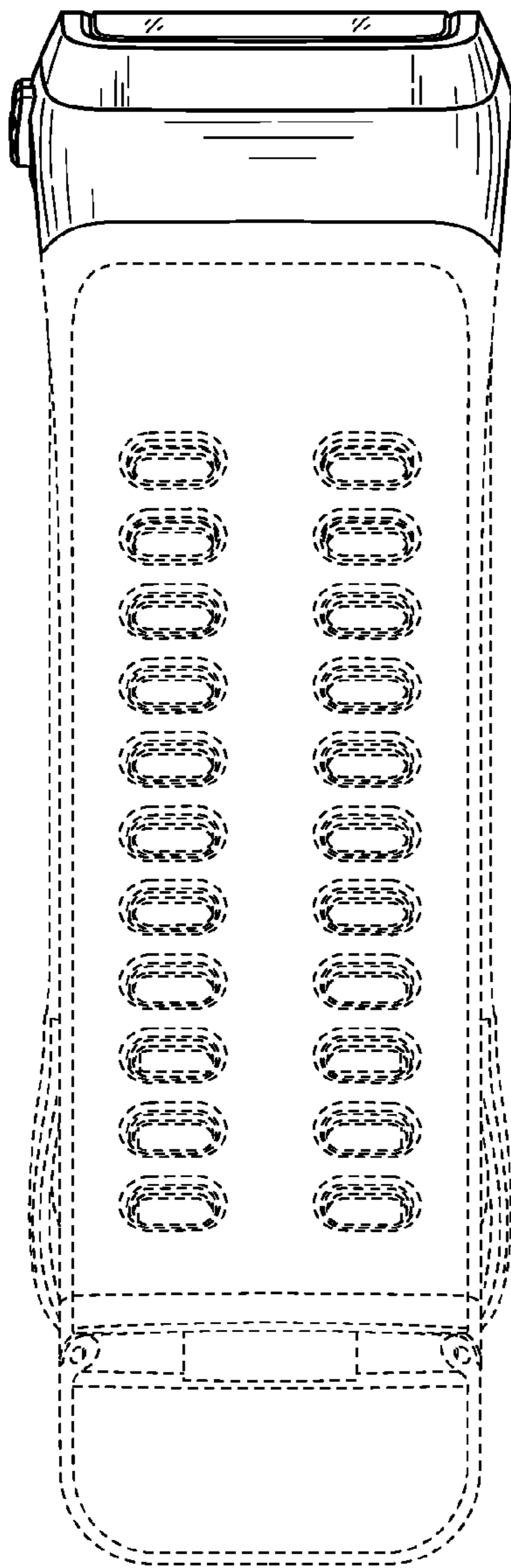


FIG. 2

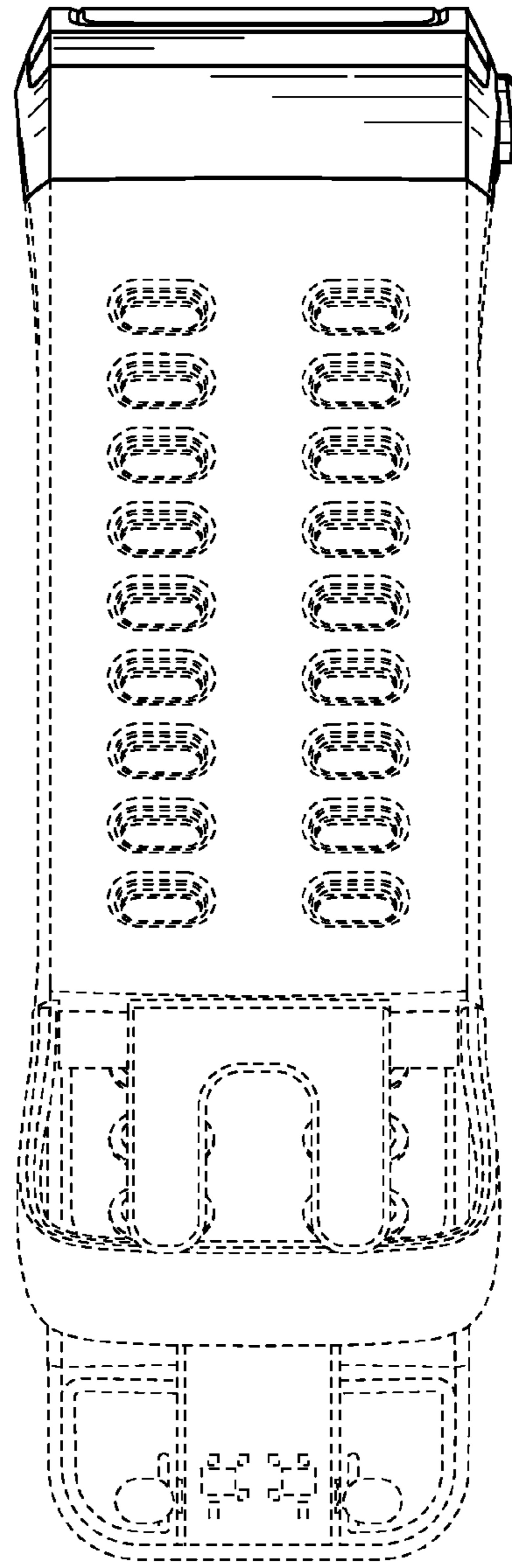


FIG. 3

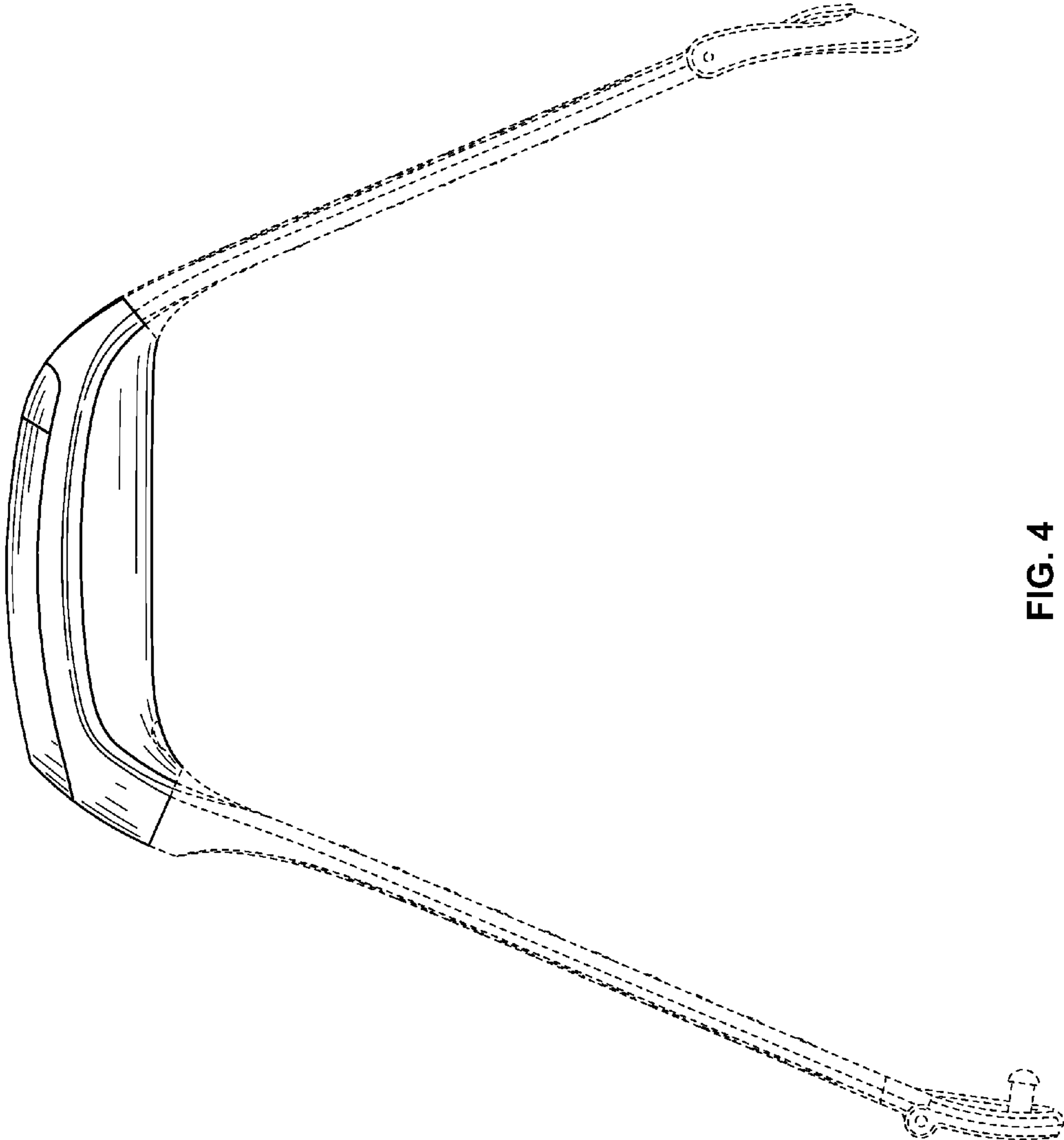


FIG. 4

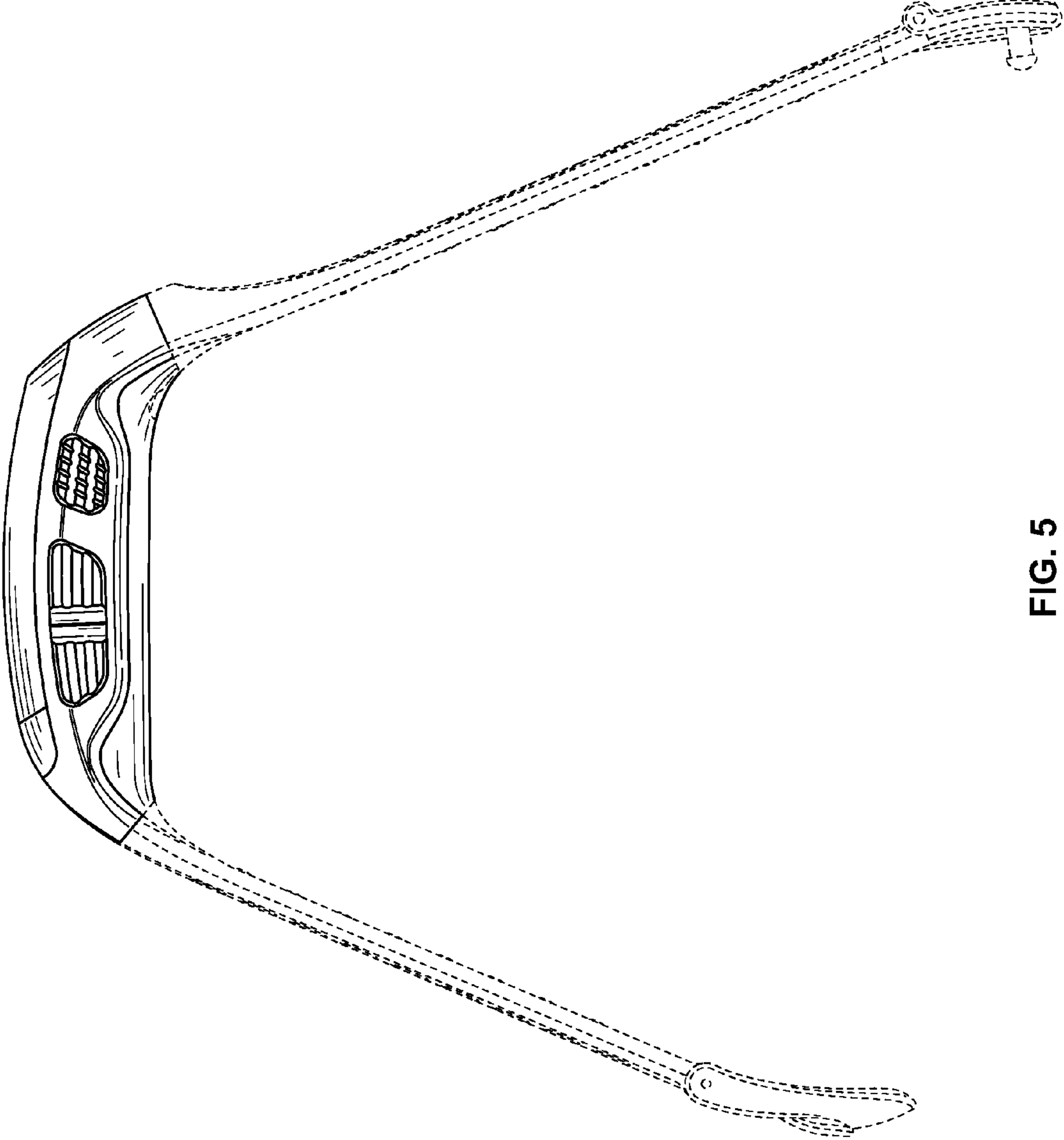


FIG. 5

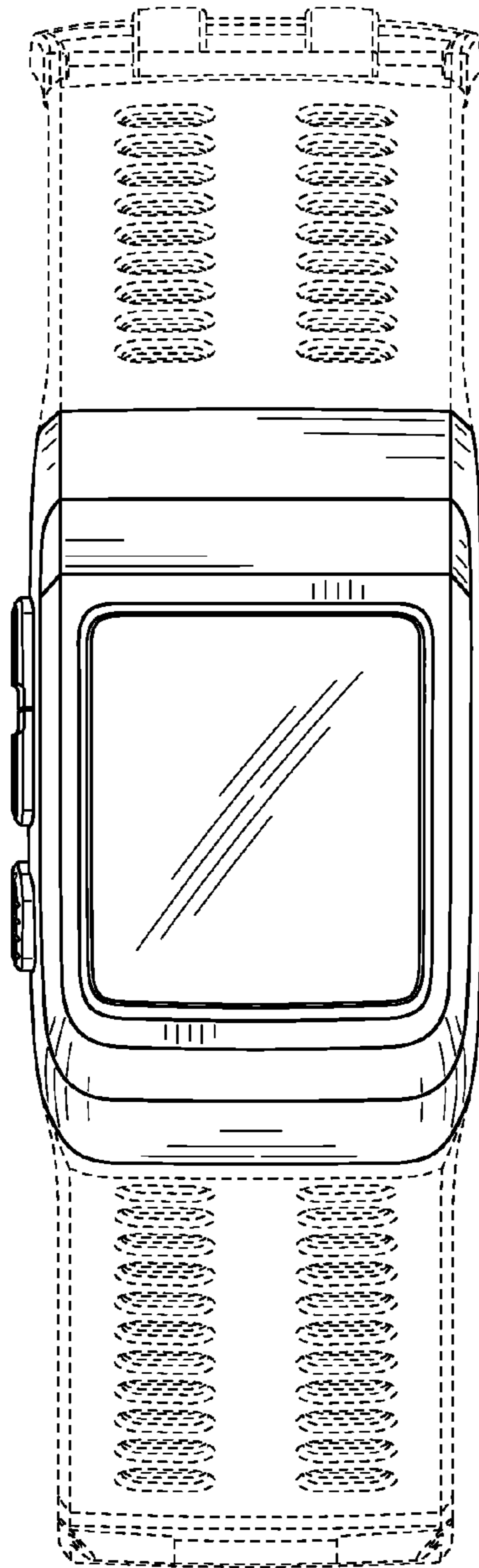


FIG. 6

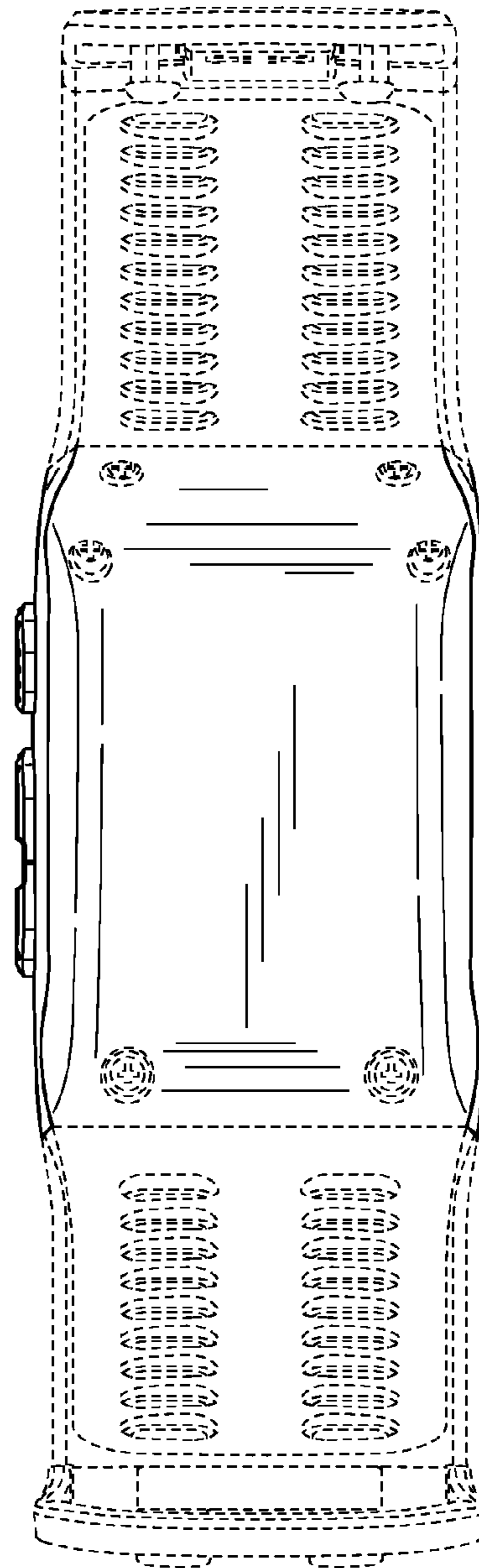


FIG. 7