



US00D636684S

(12) **United States Design Patent**  
**Yang et al.**

(10) **Patent No.:** **US D636,684 S**  
(45) **Date of Patent:** **\*\* Apr. 26, 2011**

(54) **CUP CARRIER WITH THUMB HOLDER**

(75) Inventors: **Keegan Y. Yang**, Winslow, ME (US);  
**Donald V. Breton**, N. Vassalboro, ME (US)

(73) Assignee: **Huhtamaki, Inc.**, Desoto, KS (US)

(\*\*) Term: **14 Years**

(21) Appl. No.: **29/367,654**

(22) Filed: **Aug. 11, 2010**

(51) **LOC (9) Cl.** ..... **09-03**

(52) **U.S. Cl.** ..... **D9/755**

(58) **Field of Classification Search** ..... D9/755,  
D9/425, 428, 420, 432, 455, 456, 424, 737;  
D7/553.1, 553.2, 553.3; 248/311.2; 220/23.8,  
220/507; 206/592, 557, 564, 433, 203, 427,  
206/521, 521.1; 229/406, 407, 902, 904;  
294/143, 159, 144, 172

See application file for complete search history.

(56) **References Cited**

**U.S. PATENT DOCUMENTS**

D236,575	S	*	9/1975	Vigue	.....	D7/553.4
D250,091	S	*	10/1978	Jewell	.....	D9/755
4,208,006	A	*	6/1980	Bixler et al.	.....	229/406
4,218,008	A	*	8/1980	Veilleux	.....	229/406
4,381,847	A	*	5/1983	Bessett et al.	.....	229/406
D279,259	S	*	6/1985	Bixler et al.	.....	D9/755
4,718,555	A	*	1/1988	Amberg	.....	206/519
5,096,065	A	*	3/1992	Vigue	.....	206/564
5,316,173	A	*	5/1994	Emery	.....	220/556
5,713,619	A		2/1998	DuBois et al.		

6,076,876	A	6/2000	Letourneau et al.	
D436,853	S	1/2001	Sussman	
6,398,056	B1	6/2002	Letourneau et al.	
6,679,380	B2	1/2004	Brown	
7,225,927	B2	6/2007	Sweeney	
D614,047	S *	4/2010	Landry	..... D9/755
7,762,396	B1	7/2010	Yang et al.	

**FOREIGN PATENT DOCUMENTS**

WO	9810687	3/1998
WO	2006065132 A2	6/2006

\* cited by examiner

*Primary Examiner* — Mark A Goodwin

(74) *Attorney, Agent, or Firm* — Husch Blackwell LLP

(57) **CLAIM**

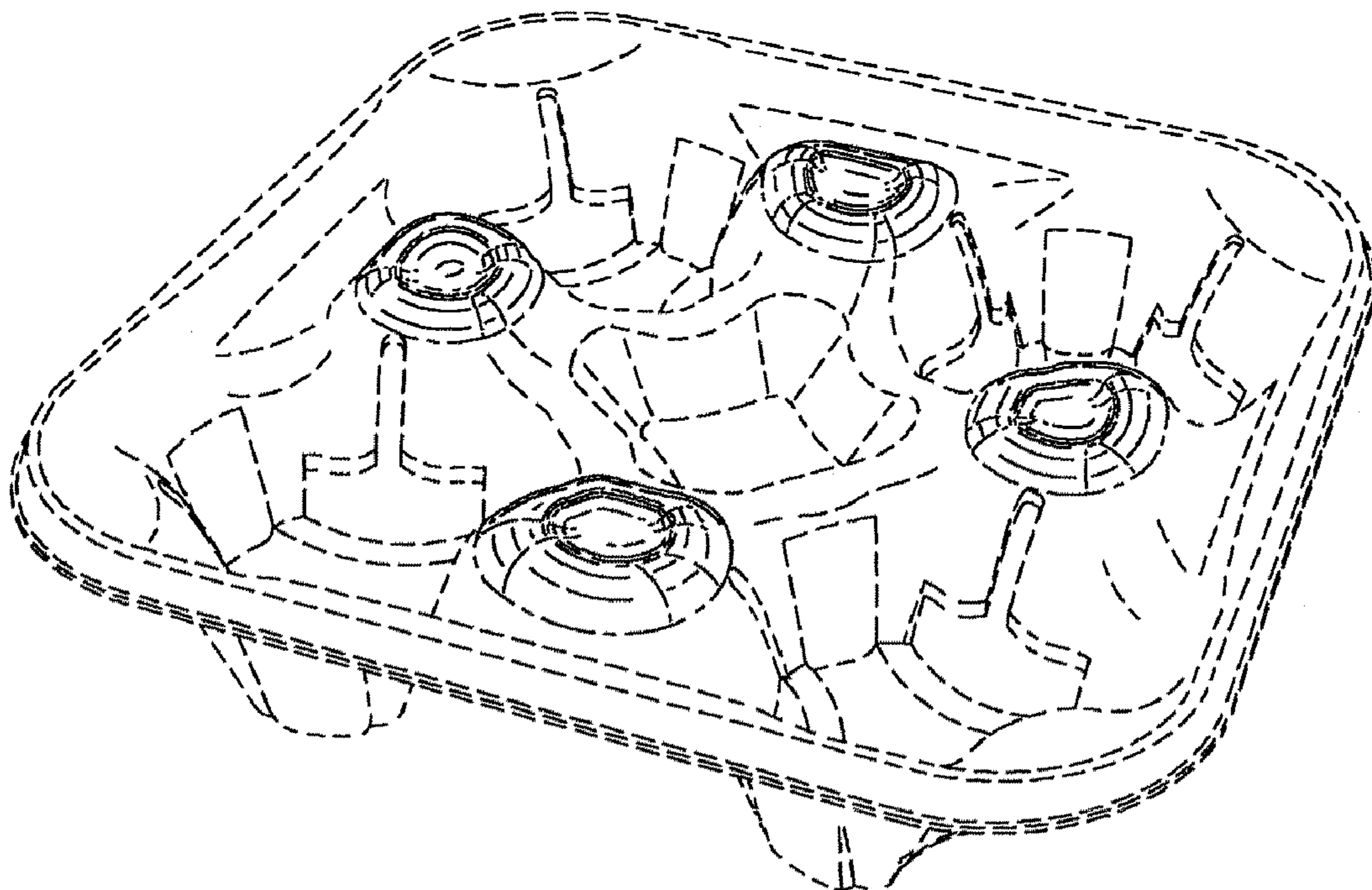
The ornamental design for a cup carrier with thumb holder, as shown and described.

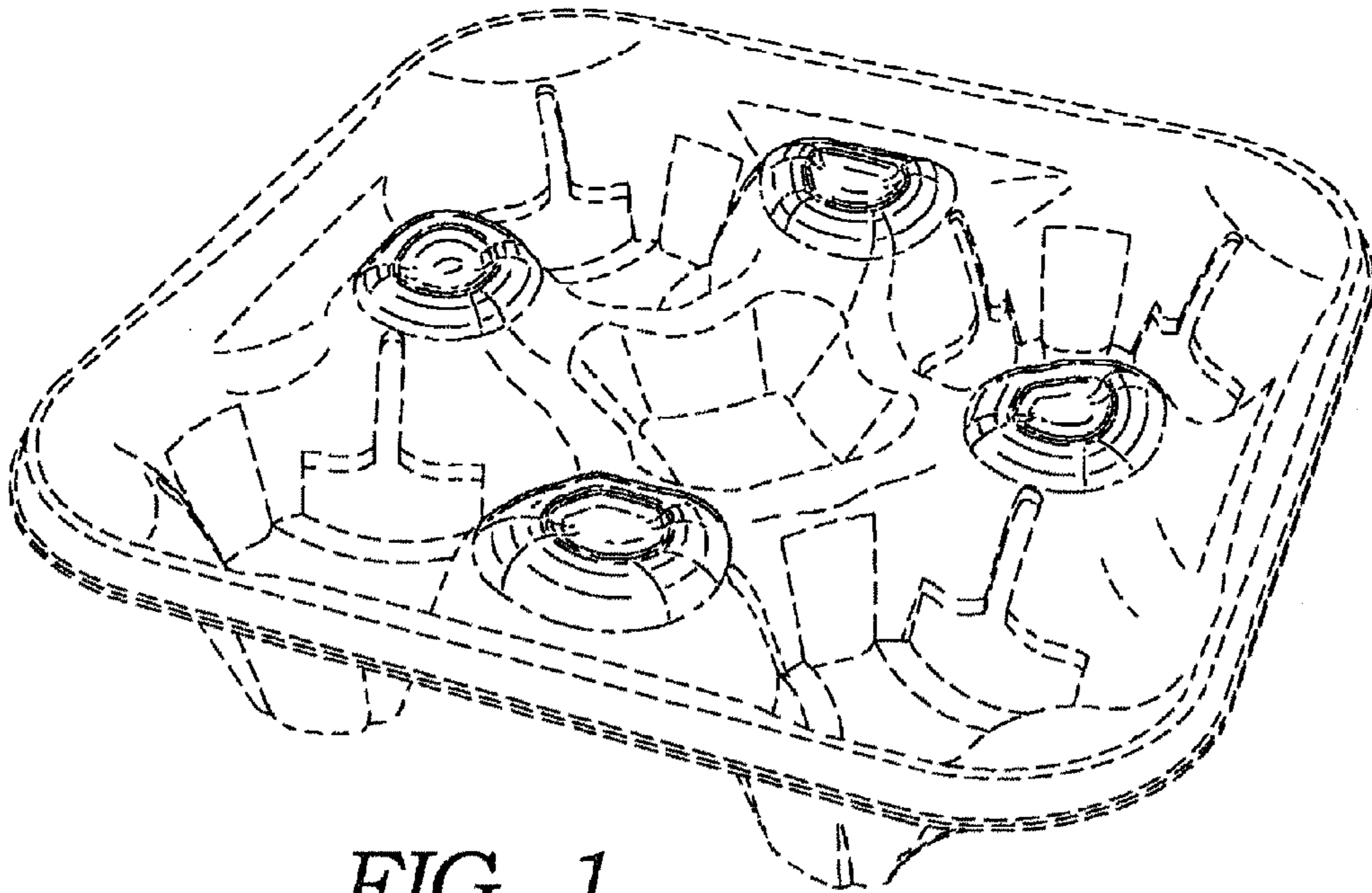
**DESCRIPTION**

FIG. 1 is a top perspective view of the cup carrier with thumb holder showing my new design;  
FIG. 2 is a top plan view thereof;  
FIG. 3 is a side elevational view thereof;  
FIG. 4 is a top perspective view of a second embodiment of the cup carrier with thumb holder showing my new design;  
FIG. 5 is a top plan view thereof;  
FIG. 6 is a right side elevational view thereof;  
FIG. 7 is a front elevational view thereof; and,  
FIG. 8 is a rear elevational view thereof.

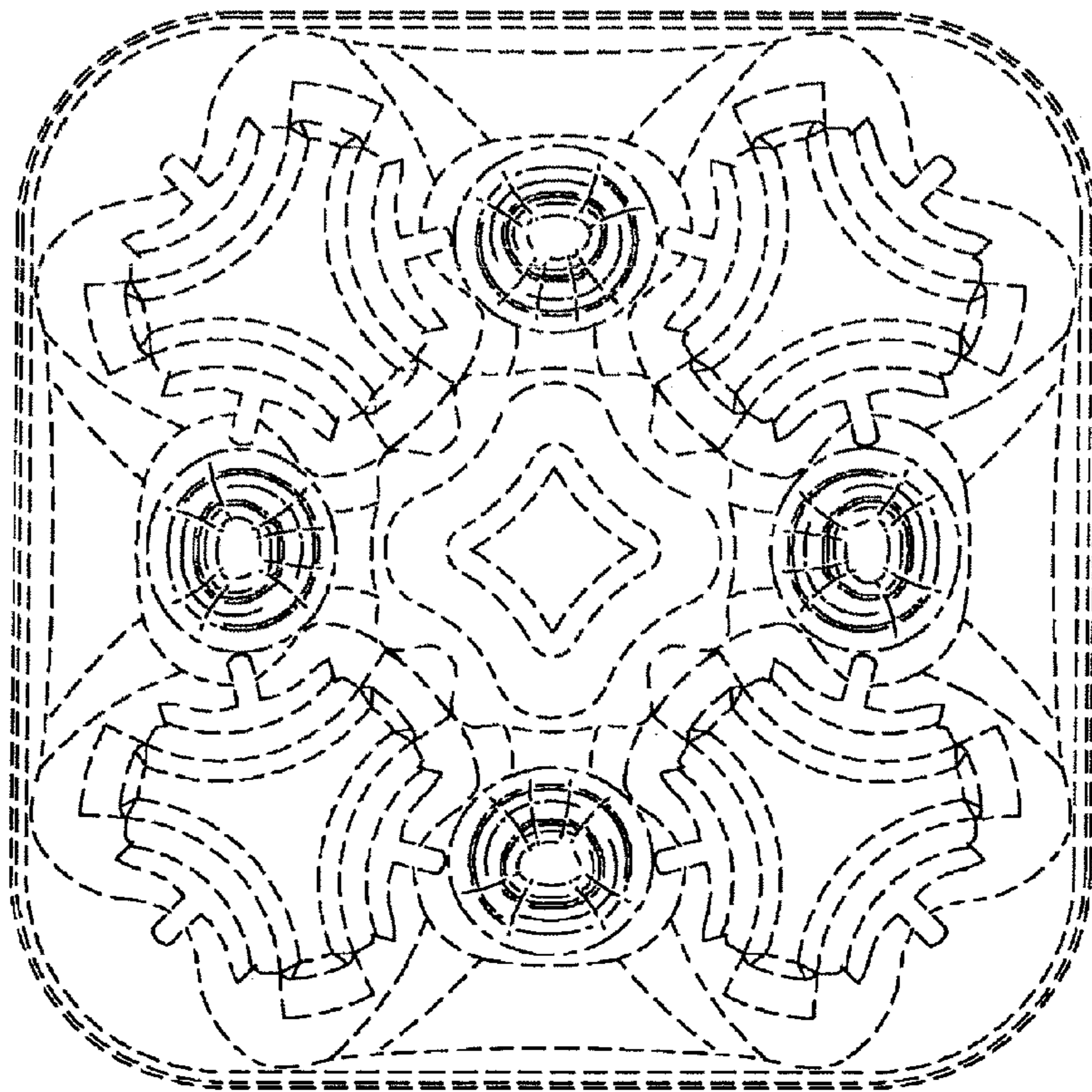
The features shown in broken lines depict environmental subject matter only and form no part of the claimed design.

**1 Claim, 3 Drawing Sheets**

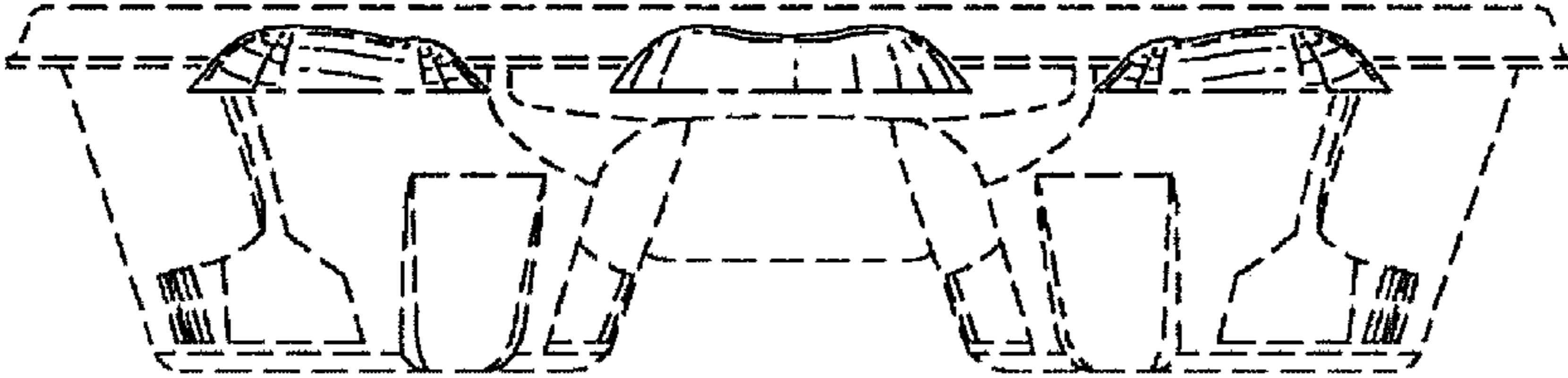




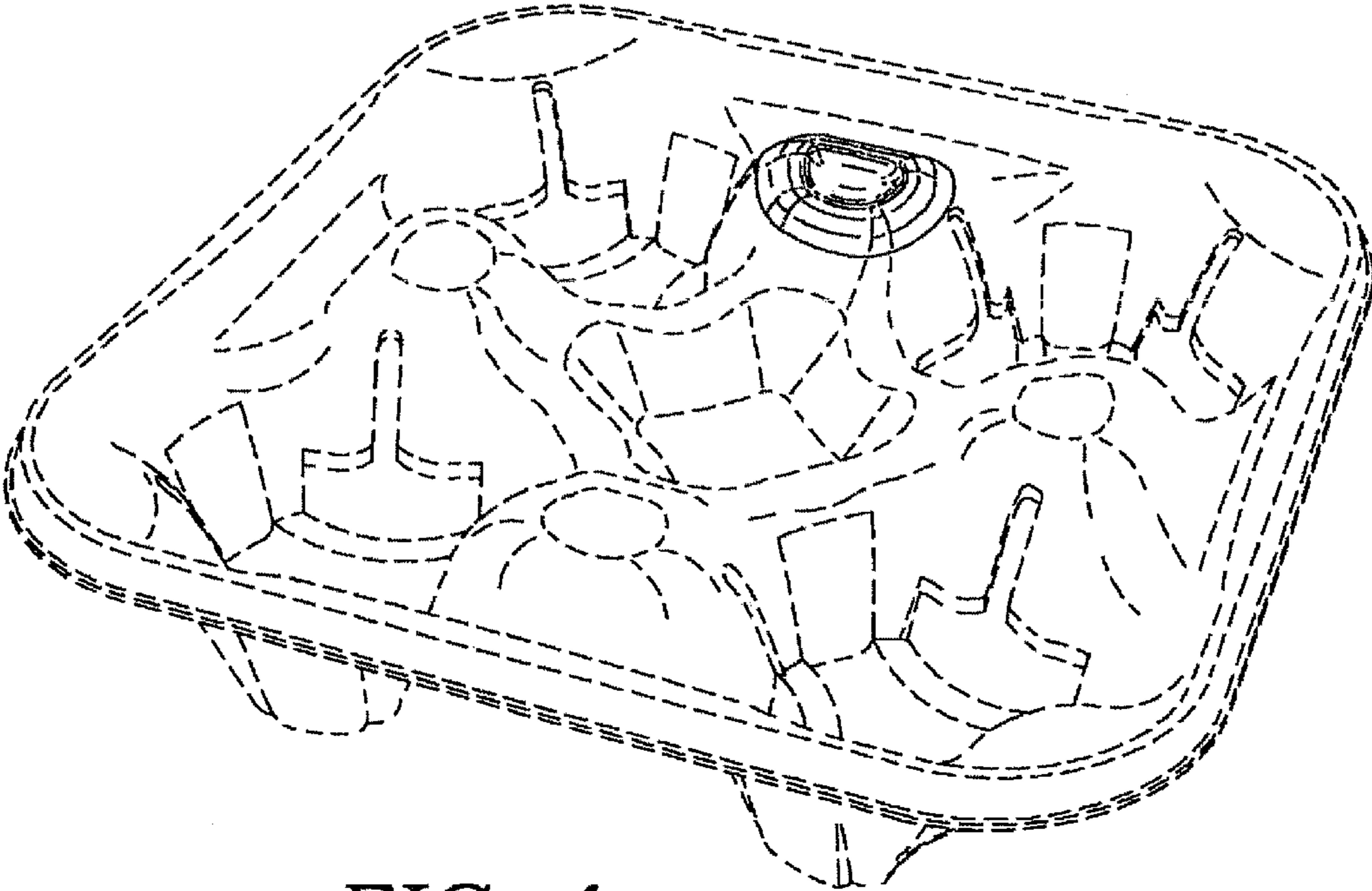
*FIG. 1.*



*FIG. 2.*



*FIG. 3.*



*FIG. 4.*

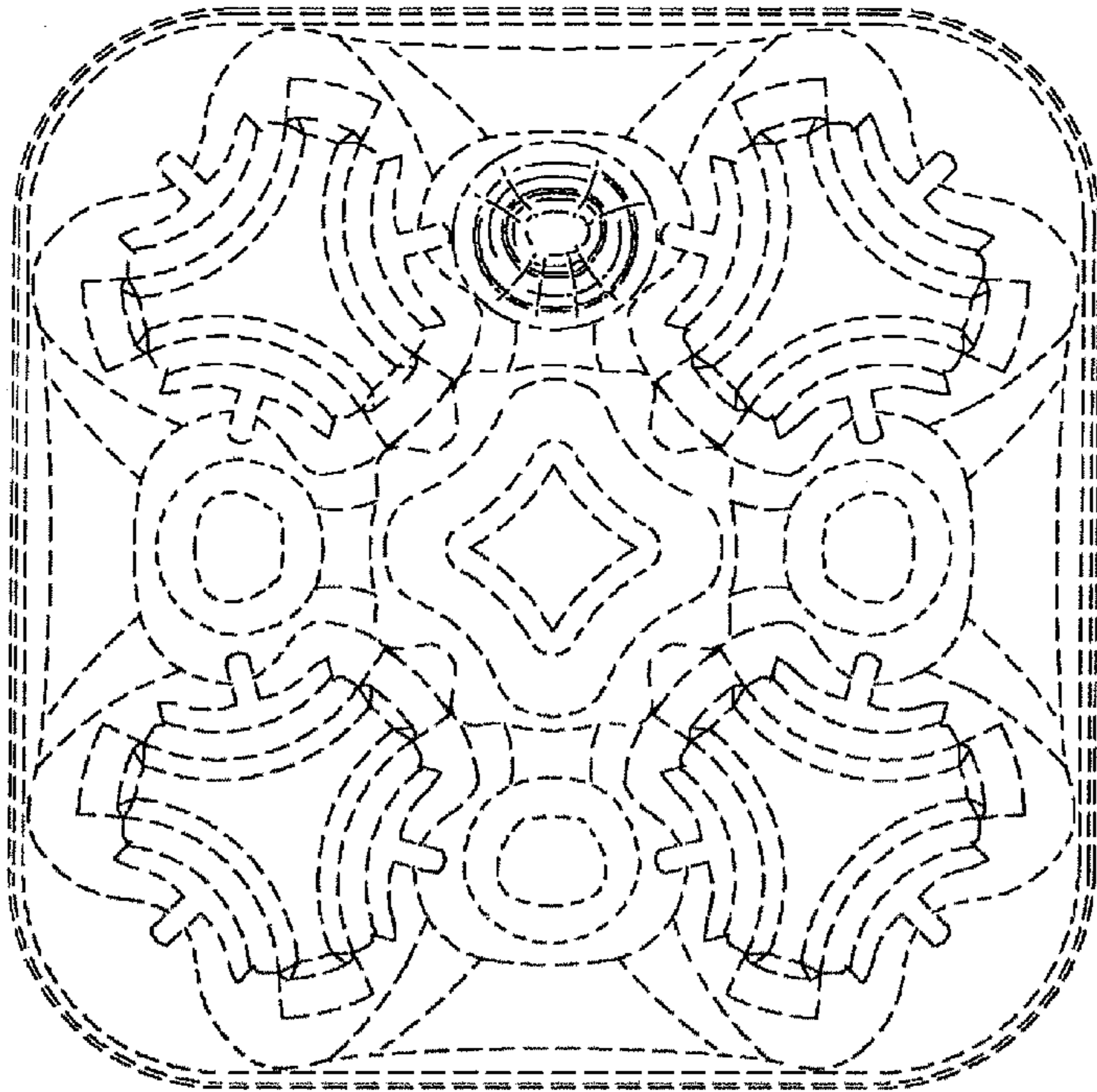


FIG. 5.

FIG. 6.

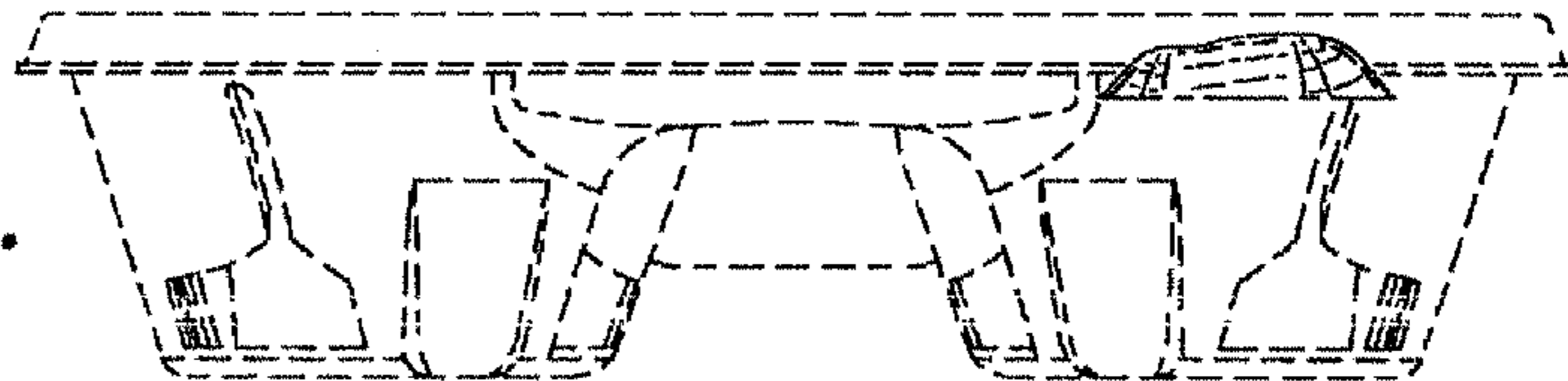


FIG. 7.

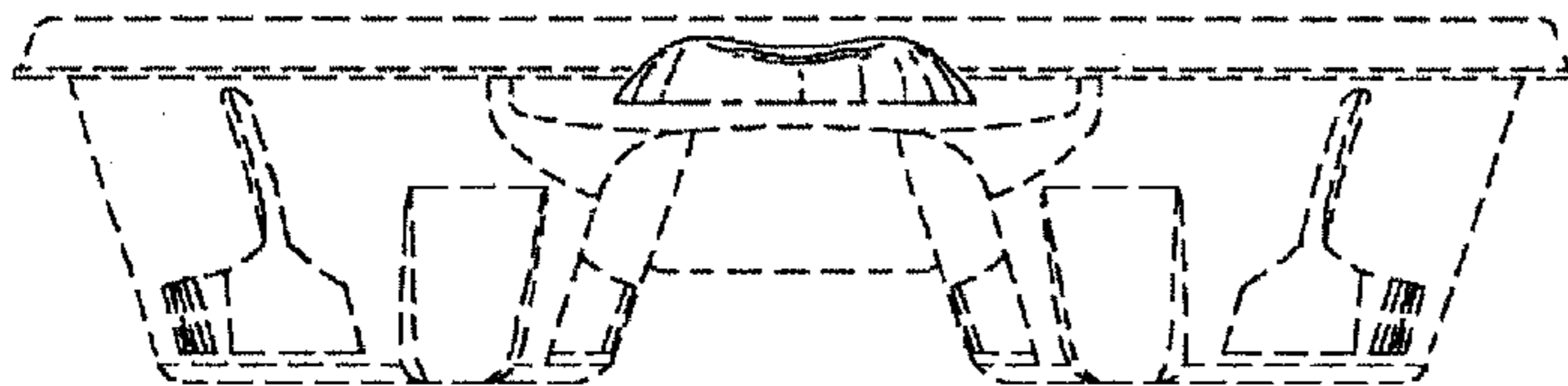


FIG. 8.

