



US00D636681S

(12) **United States Design Patent**
Lee

(10) **Patent No.:** **US D636,681 S**
(45) **Date of Patent:** **** Apr. 26, 2011**

(54) **DISC MEDIA CASE**
(76) Inventor: **Choy Tim Lee**, Ontario (CA)
(**) Term: **14 Years**
(21) Appl. No.: **29/350,484**
(22) Filed: **Nov. 17, 2009**
(51) **LOC (9) Cl.** **06-04**
(52) **U.S. Cl.** **D9/634**
(58) **Field of Classification Search** D6/407,
D6/626-635; D3/273, 294; 206/307.1, 308.1,
206/308.2, 308.3, 309-313; 211/9.1, 40,
211/41.12
See application file for complete search history.

5,899,327 A * 5/1999 Sykes 206/307.1
D419,359 S * 1/2000 Eguchi et al. D6/634
D437,172 S * 2/2001 Hillman D6/633
D457,772 S * 5/2002 Myers D6/632
D566,192 S * 4/2008 Bhavnani D19/92
2009/0060630 A1* 3/2009 To et al. 402/31
2009/0274509 A1* 11/2009 Liu et al. 402/41
* cited by examiner

Primary Examiner — Elizabeth A Albert
Assistant Examiner — Kelley A Donnelly
(74) *Attorney, Agent, or Firm* — Steins & Associates, P.C.

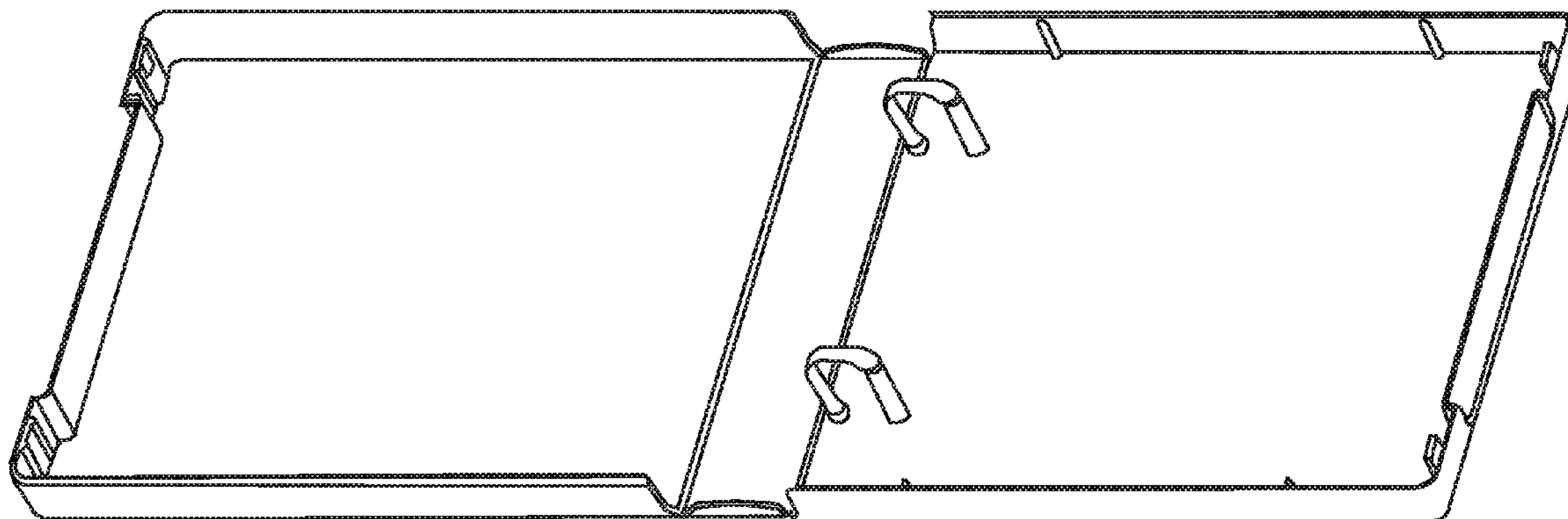
(57) **CLAIM**
What is claimed is the ornamental design for a disc media case, as shown and described.

DESCRIPTION

FIG. 1 is a perspective view of the disc media case in the “flat open” position;
FIG. 2 is a front view of the disc media case;
FIG. 3 is a side view of the disc media case;
FIG. 4 is an end view of the disc media case; and,
FIG. 5 is a perspective view of the disc media case in the “partially open” position.

1 Claim, 4 Drawing Sheets

(56) **References Cited**
U.S. PATENT DOCUMENTS
4,518,275 A * 5/1985 Rauch et al. 402/80 P
5,263,580 A * 11/1993 Ciba et al. 206/308.1
D347,728 S * 6/1994 Taniyama D6/634
D358,961 S * 6/1995 Lax D6/634
D383,491 S * 9/1997 Chang D19/20
D406,719 S * 3/1999 Clausen D6/634



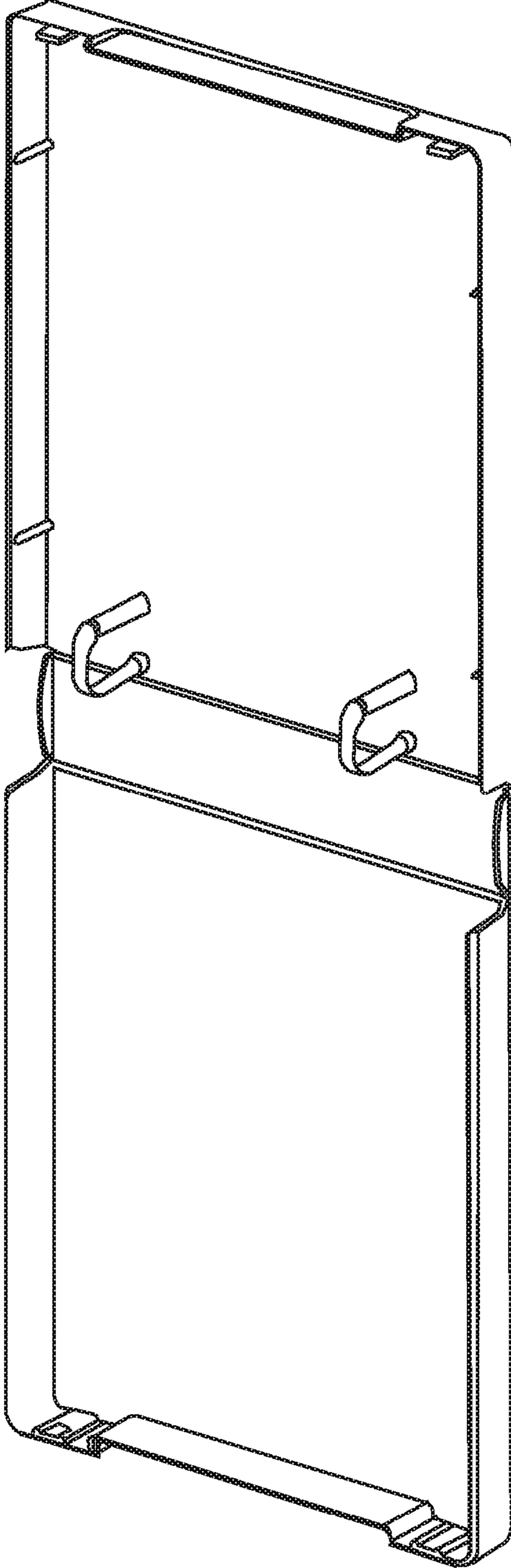


FIG. 1

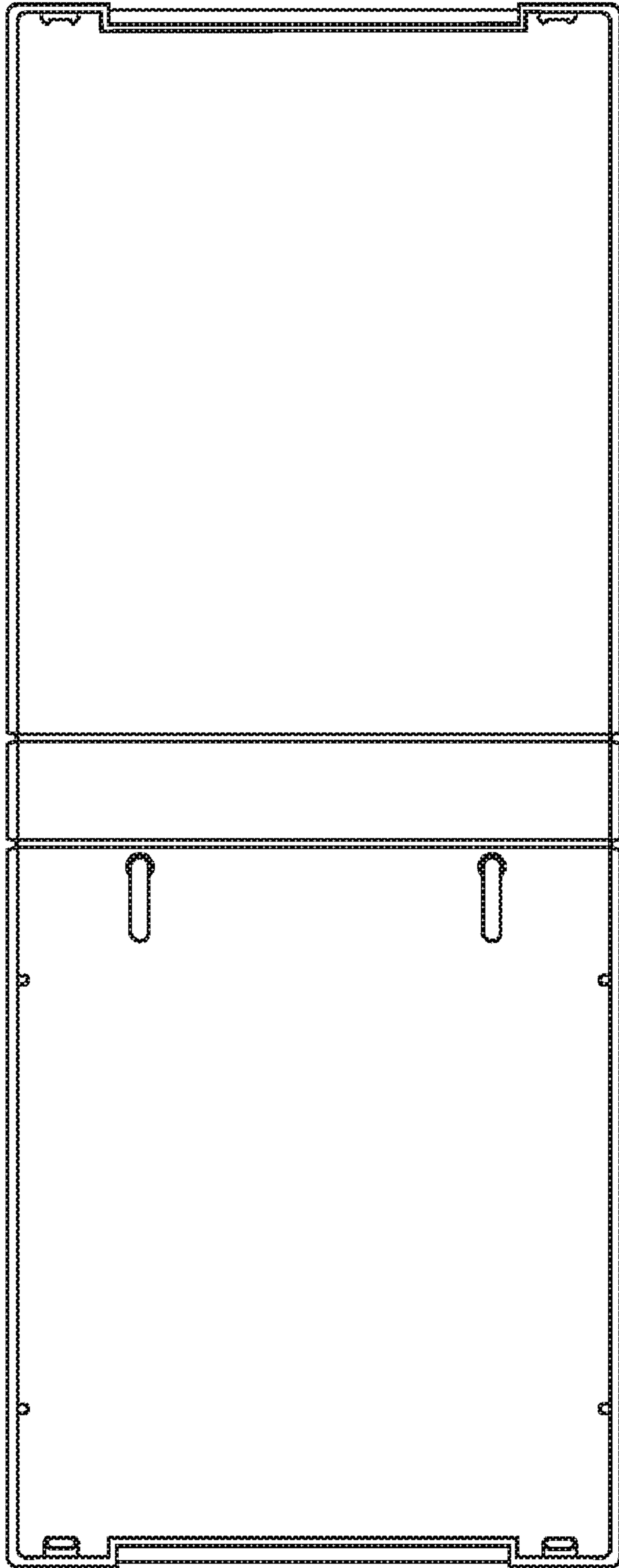


FIG. 2

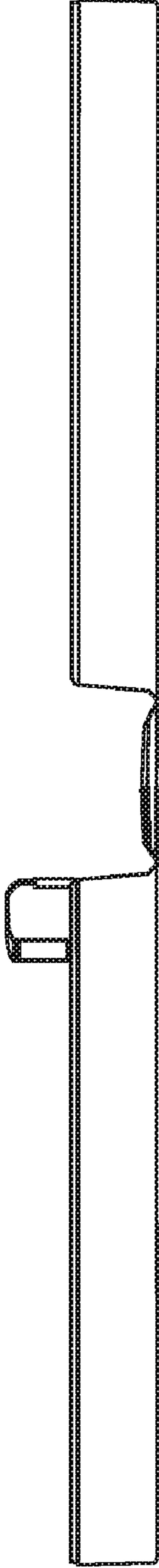


FIG. 3

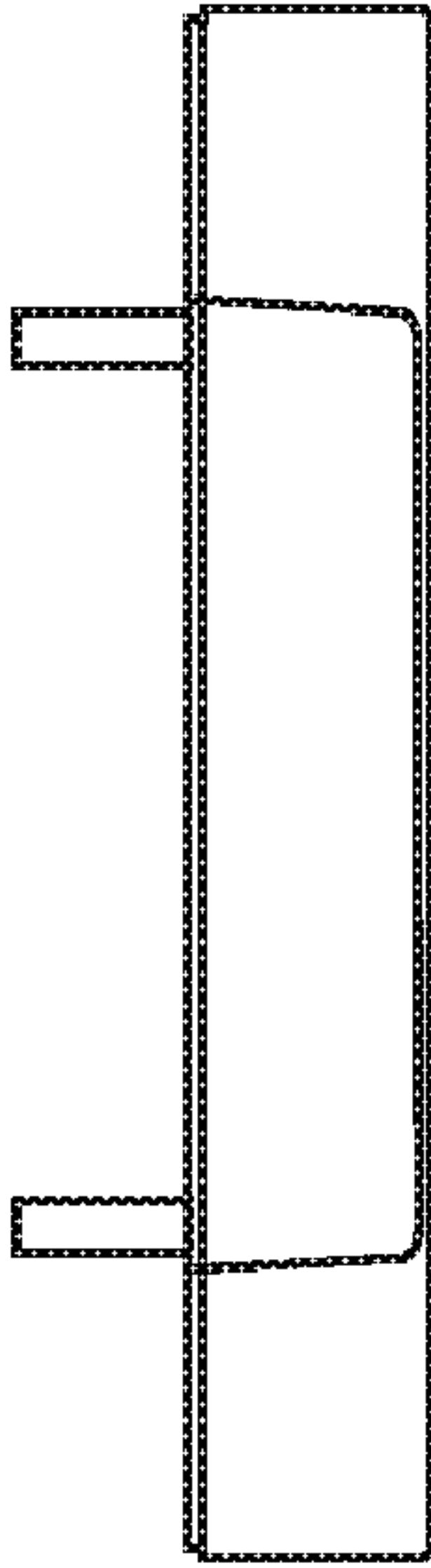


FIG. 4

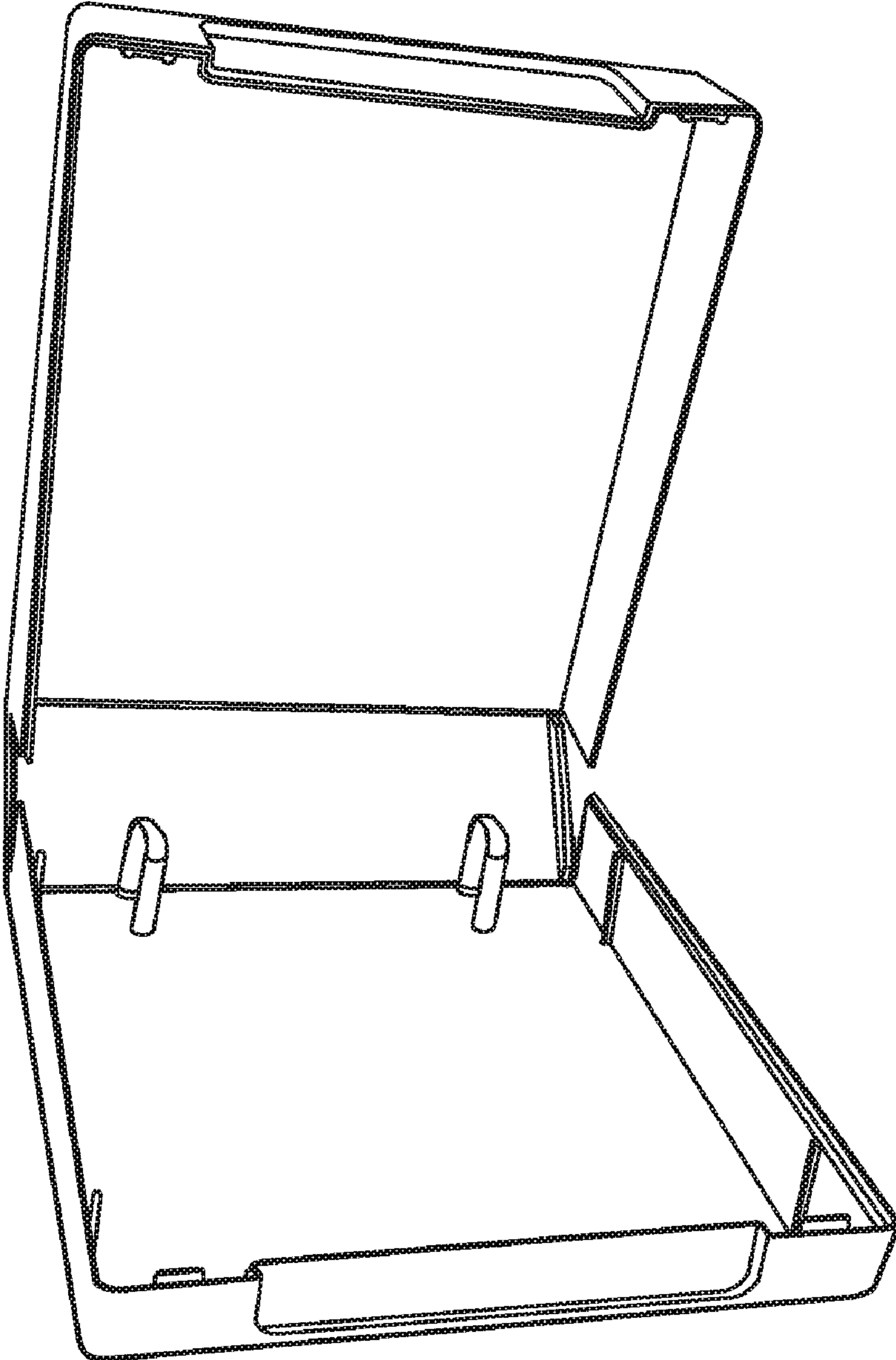


FIG. 5