



US00D636675S

(12) **United States Design Patent**
Mongeon et al.

(10) **Patent No.:** **US D636,675 S**

(45) **Date of Patent:** **** *Apr. 26, 2011**

(54) **CONTAINER LID**

(75) Inventors: **Murphy Greene Mongeon**, Baltimore, MD (US); **Ian Andrew Carnduff**, New York, NY (US); **Akina Kurihara**, Brooklyn, NY (US)

(73) Assignee: **The Procter & Gamble Company**, Cincinnati, OH (US)

(**) Term: **14 Years**

(21) Appl. No.: **29/364,903**

(22) Filed: **Jun. 30, 2010**

(51) **LOC (9) Cl.** **09-07**

(52) **U.S. Cl.** **D9/454**

(58) **Field of Classification Search** D9/780,
D9/778, 772, 763, 756, 556, 529, 518, 504,
D9/503, 454, 450, 449, 447, 440, 438, 435,
D9/434, 428, 425, 424; D7/584, 392.1, 549,
D7/557, 601, 630, 396.2; 229/123.1; 222/556;
220/906, 806, 716, 713, 711, 359.3, 359.1,
220/285, 273, 265, 259.2-259.4, 258.2, 257.1,
220/254.4; 215/256, 249, 232, 216; 206/530;
D28/82, 84, 91, 73

See application file for complete search history.

(56) **References Cited**

U.S. PATENT DOCUMENTS

D32,610 S *	5/1900	Gilcrist	D9/454
D34,168 S *	3/1901	Gilcrist	D9/454
D258,199 S	2/1981	Torongo		
D359,451 S *	6/1995	Dees	D9/443
D402,894 S	12/1998	Elia		
D411,747 S	6/1999	Kokenge		
D411,800 S	7/1999	Kokenge		
D419,881 S	2/2000	Kokenge		
D424,943 S	5/2000	Kokenge		
D443,040 S	5/2001	Fabian		
D445,687 S *	7/2001	Gilbertson	D9/454

D477,225 S *	7/2003	Pinnavaia	D9/454
D489,258 S	5/2004	Hollmann		
D512,636 S *	12/2005	Pace	D9/504
D512,914 S *	12/2005	Moretti	D9/454
D520,370 S	5/2006	Priestman		
D524,661 S	7/2006	Blasko et al.		
D525,143 S	7/2006	Blasko et al.		
D526,211 S	8/2006	Blasko et al.		

(Continued)

FOREIGN PATENT DOCUMENTS

CN 301089153 12/2008

(Continued)

OTHER PUBLICATIONS

Canadian Industrial Designs Database, Registration No. 123537, Date of Registration Sep. 3, 2008; Title: Jar; 5 pages.

(Continued)

Primary Examiner — Susan Bennett Hattan

(74) *Attorney, Agent, or Firm* — Eric T. Addington; S. Robert Chuey; James C. Vago

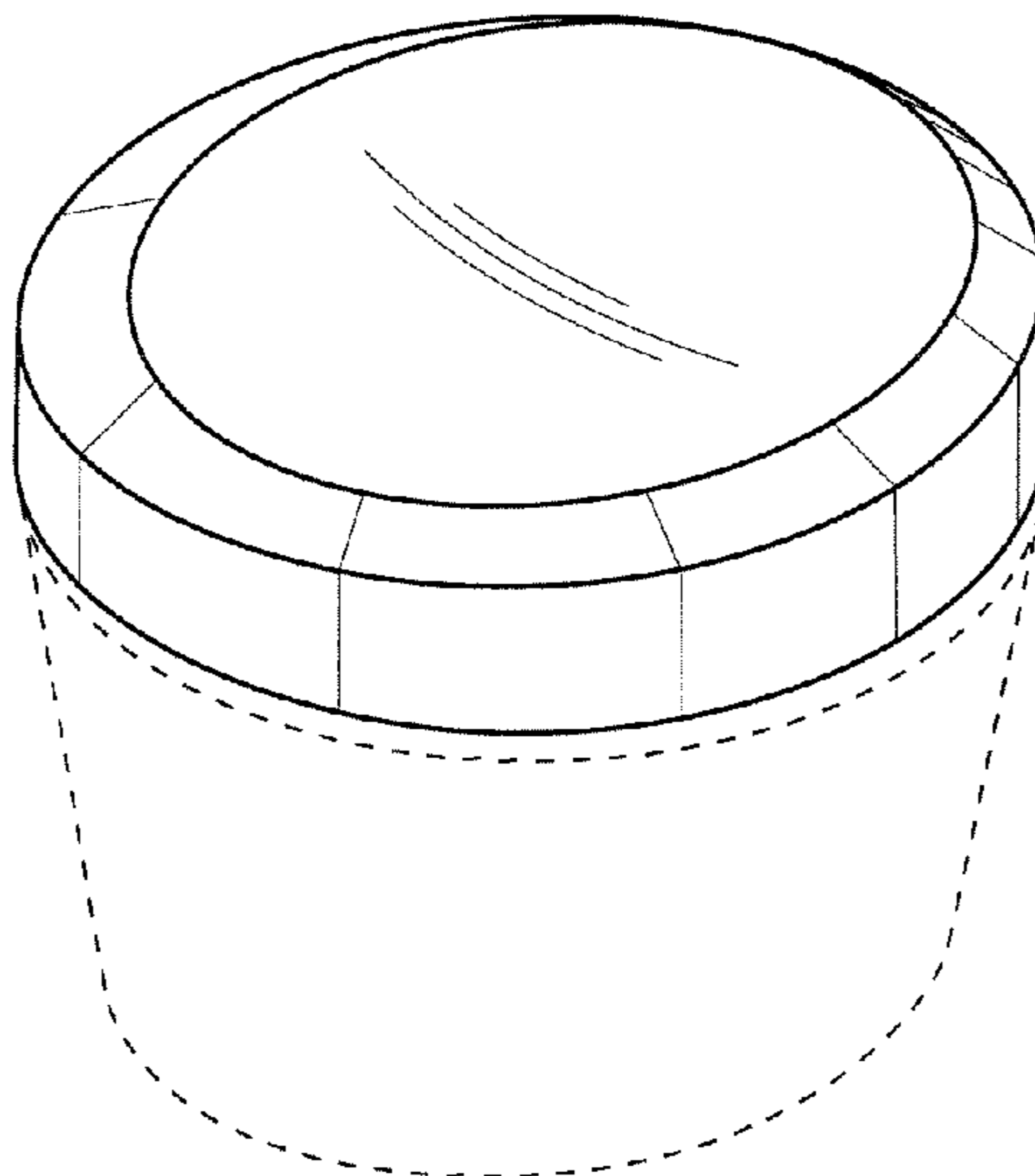
(57) **CLAIM**

The ornamental design for a container lid, as shown and described.

DESCRIPTION

FIG. 1 is a perspective view of a container lid showing an embodiment of the new design, FIG. 2 is front elevation view of FIG. 1, FIG. 3 is a rear elevation view of FIG. 1, FIG. 4 is a right side elevation view of FIG. 1, FIG. 5 is a left side elevation view of FIG. 1, FIG. 6 is a top plan view of FIG. 1; and, FIG. 7 is a bottom plan view of FIG. 1. Broken lines are for illustrative purposes only and form no part of the design.

1 Claim, 4 Drawing Sheets



US D636,675 S

Page 2

U.S. PATENT DOCUMENTS

D526,908 S	8/2006	Blasko et al.	
D527,277 S	8/2006	Blasko et al.	
D530,042 S	* 10/2006	Funkhouser et al.	D28/82
D535,880 S	* 1/2007	Penfold et al.	D9/454
D541,156 S	* 4/2007	Florio	D9/454
D544,368 S	6/2007	Blasko et al.	
D547,661 S	7/2007	Blasko et al.	
D558,591 S	1/2008	Blasko et al.	
D562,142 S	2/2008	Bunce	
D570,707 S	6/2008	Blasko et al.	
D619,896 S	* 7/2010	Iwazu et al.	D9/504
D625,190 S	* 10/2010	Pontes	D9/454
D630,944 S	* 1/2011	Kawamura	D9/454

FOREIGN PATENT DOCUMENTS

CN	301089154	12/2008
CN	300938550	6/2009
CN	300964172	7/2009
CN	300990489	8/2009
CN	301089138	12/2009
CN	301089151	12/2009

EM	000447362.0002	12/2005
EM	000447362.0003	12/2005
EM	000569272.0004	8/2006
EM	000951918.0001	7/2008
EM	001143176.0003	6/2009
KR	300424855.0000	9/2006
KR	300494210.0000	6/2008

OTHER PUBLICATIONS

Canadian Industrial Designs Database, Registration No. 85091, Date of Registration Nov. 6, 1998; Title: Container for Creamy Goods; 6 pages.

"Max Factor ColorGenius Foundation with Minerals", Record ID 964168, <http://www.gnpd.com>; Published Aug. 2008 (3 pages).

"Max Factor Colour Adapt Foundation", Record ID 10152475, <http://www.gnpd.com>; Published Oct. 2003 (2 pages).

"Covergirl Advanced Radiance Makeup", Record ID 427825, <http://www.gnpd.com>; Published Jan. 2006 (3 pages).

"CoverGirl Tru Blend Makeup". Record ID 10156634, <http://www.gnpd.com>; Published 2003 (2 pages).

* cited by examiner

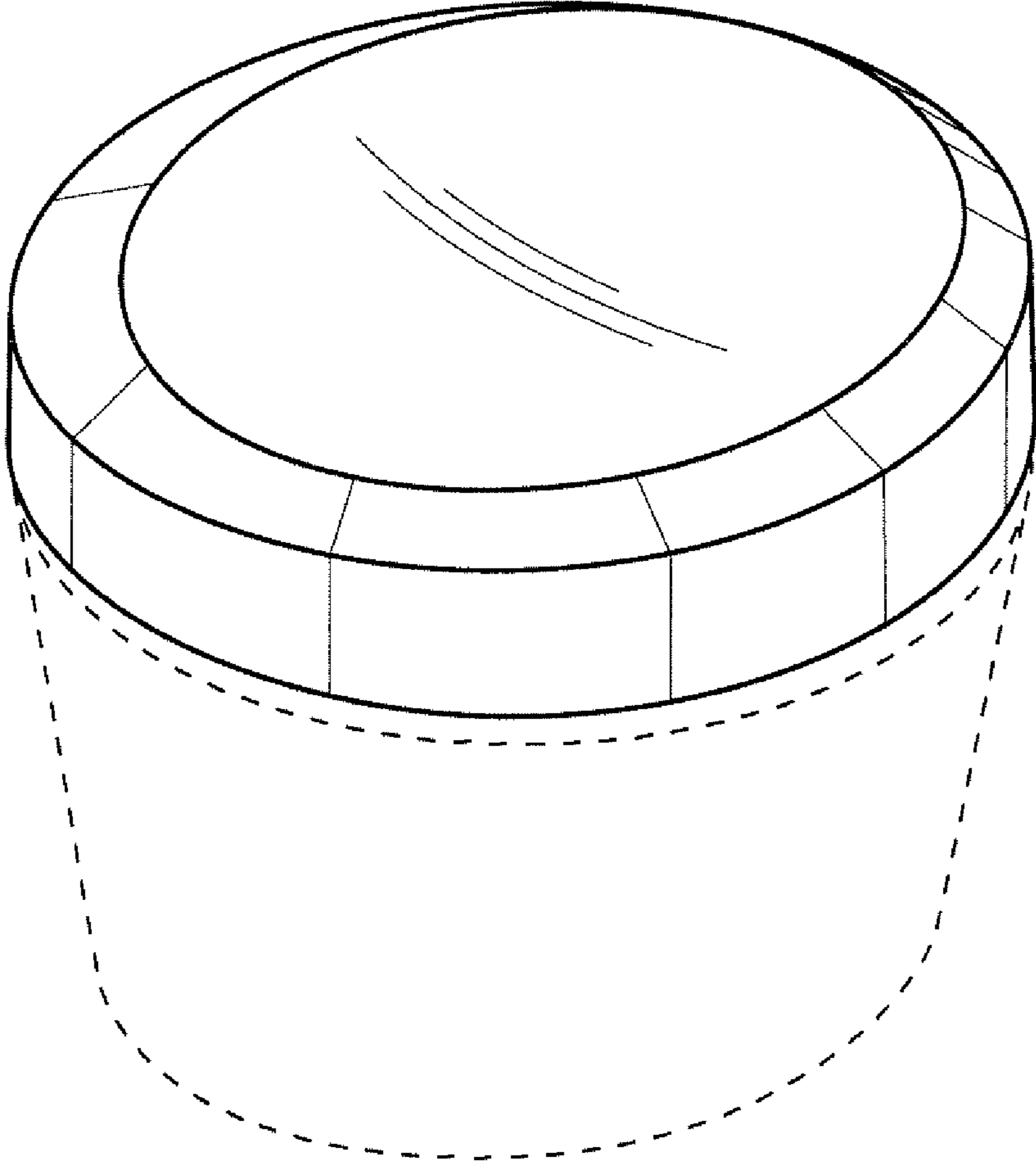


Fig. 1

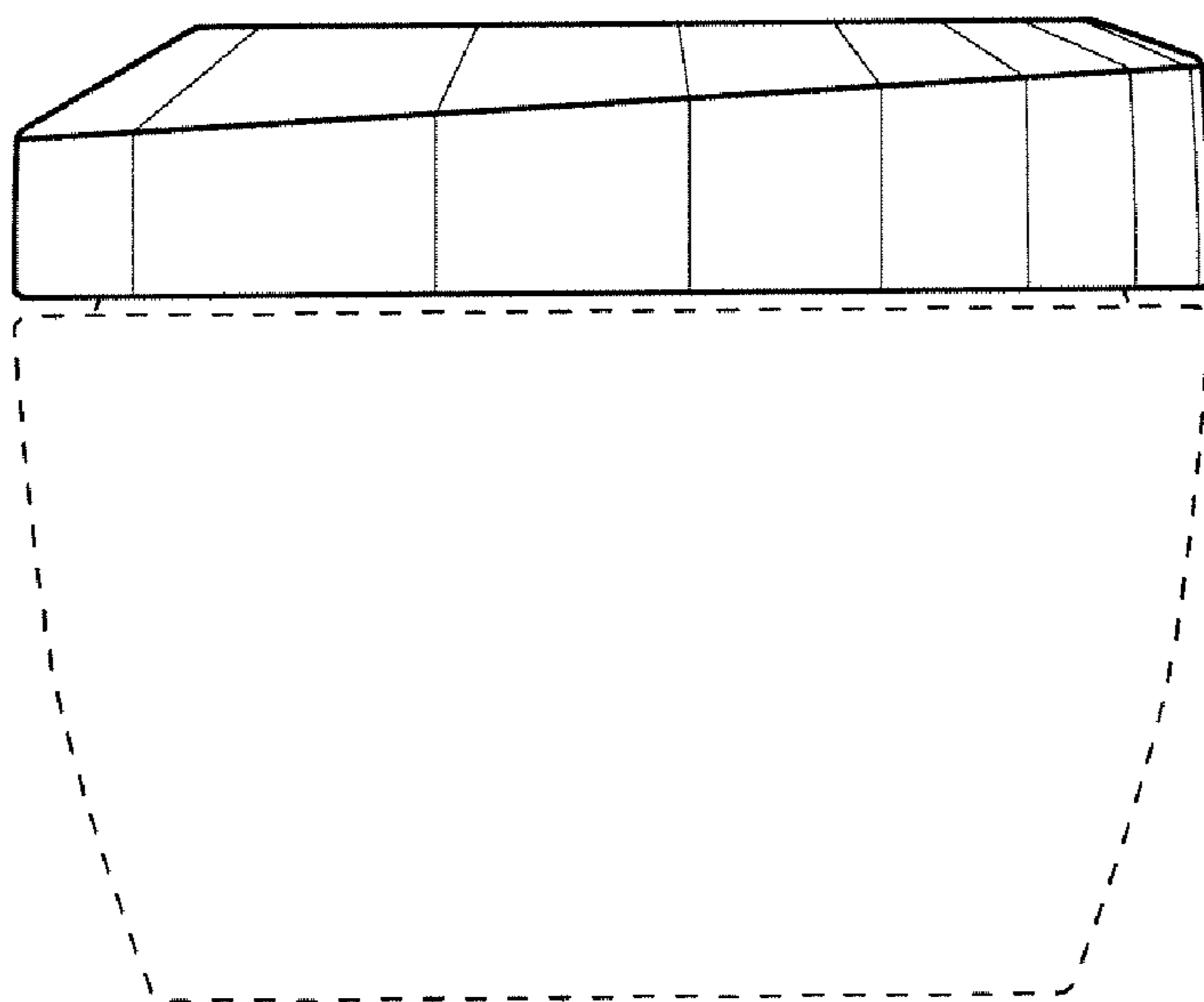


Fig. 2

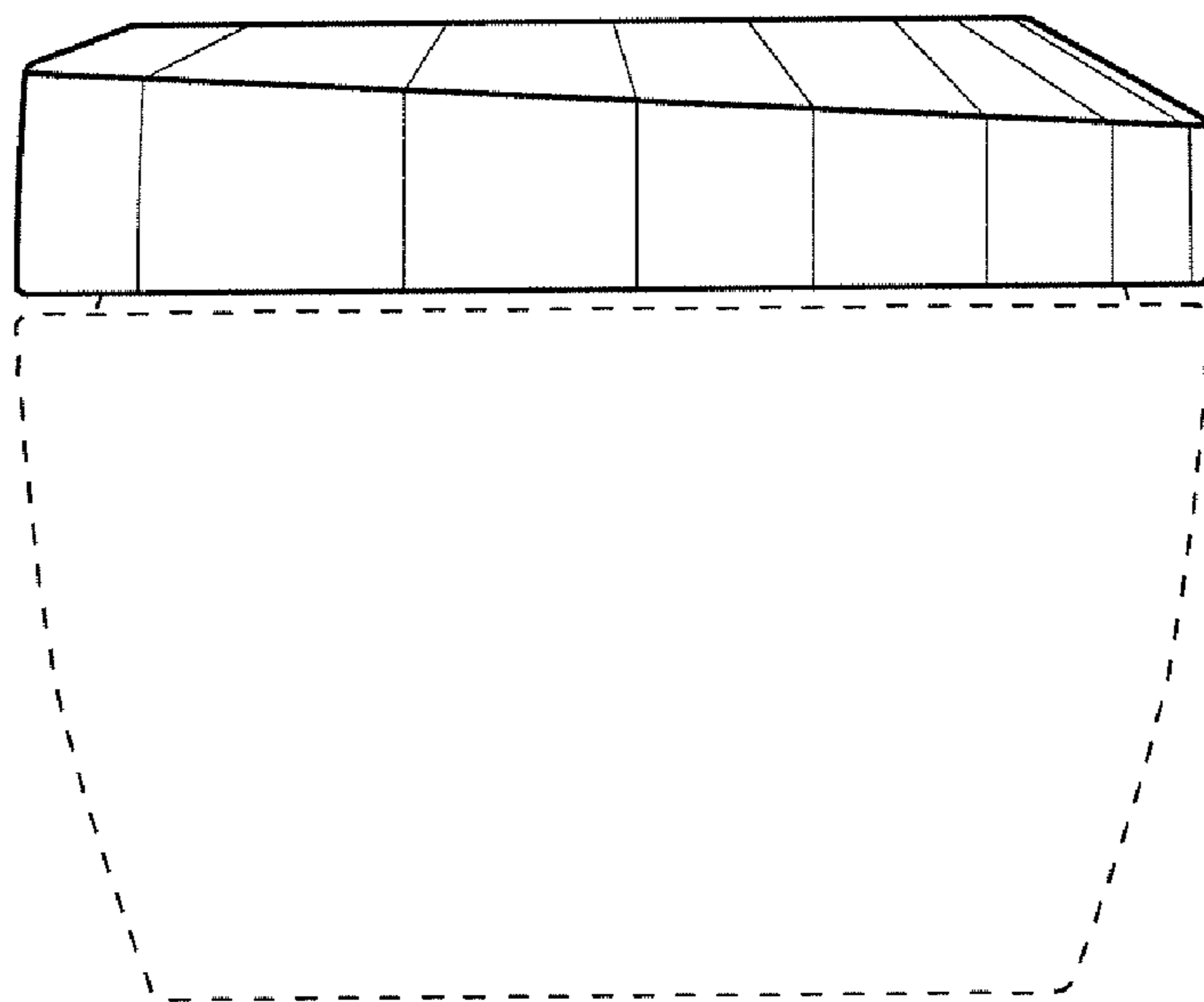


Fig. 3

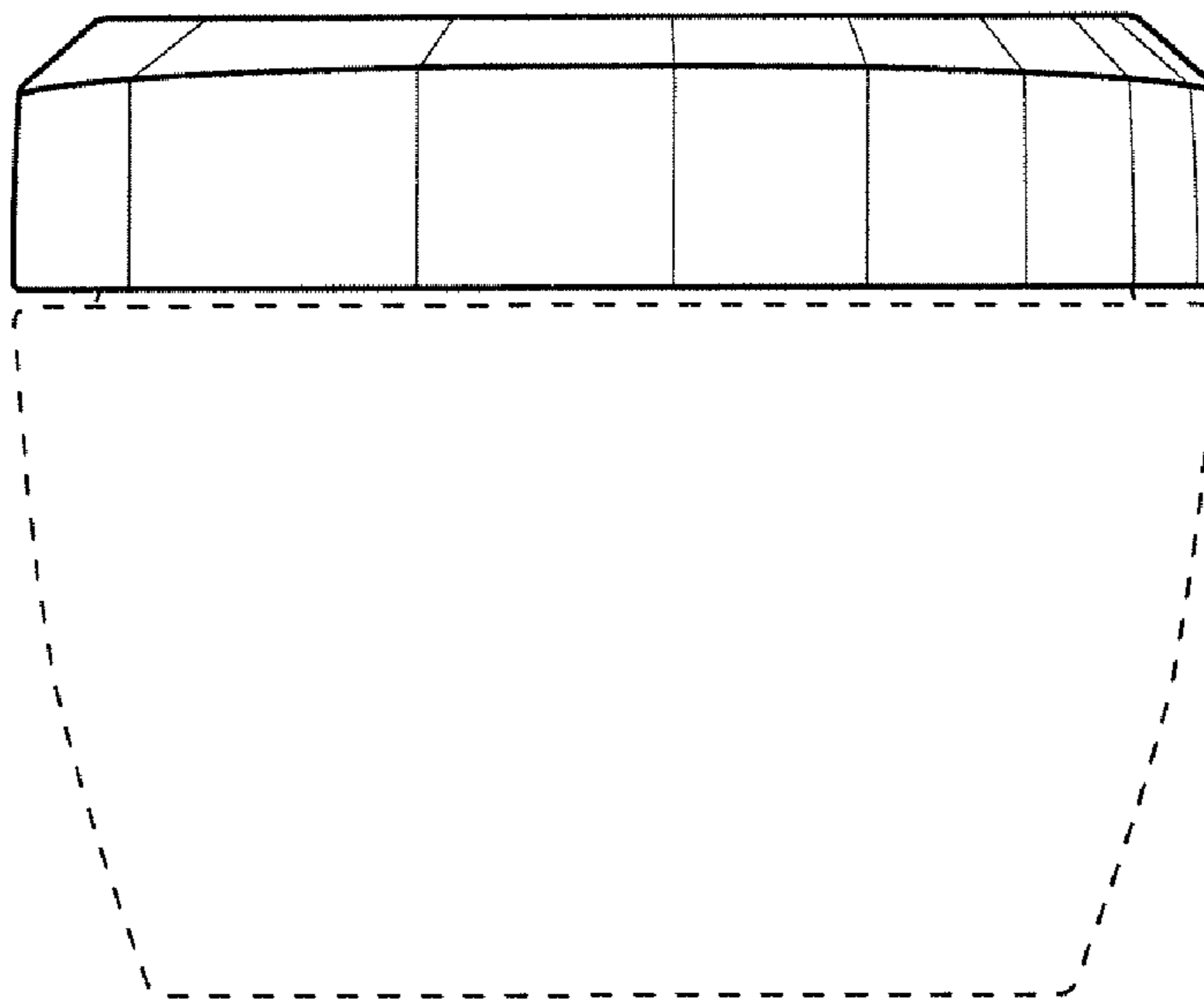


Fig. 4

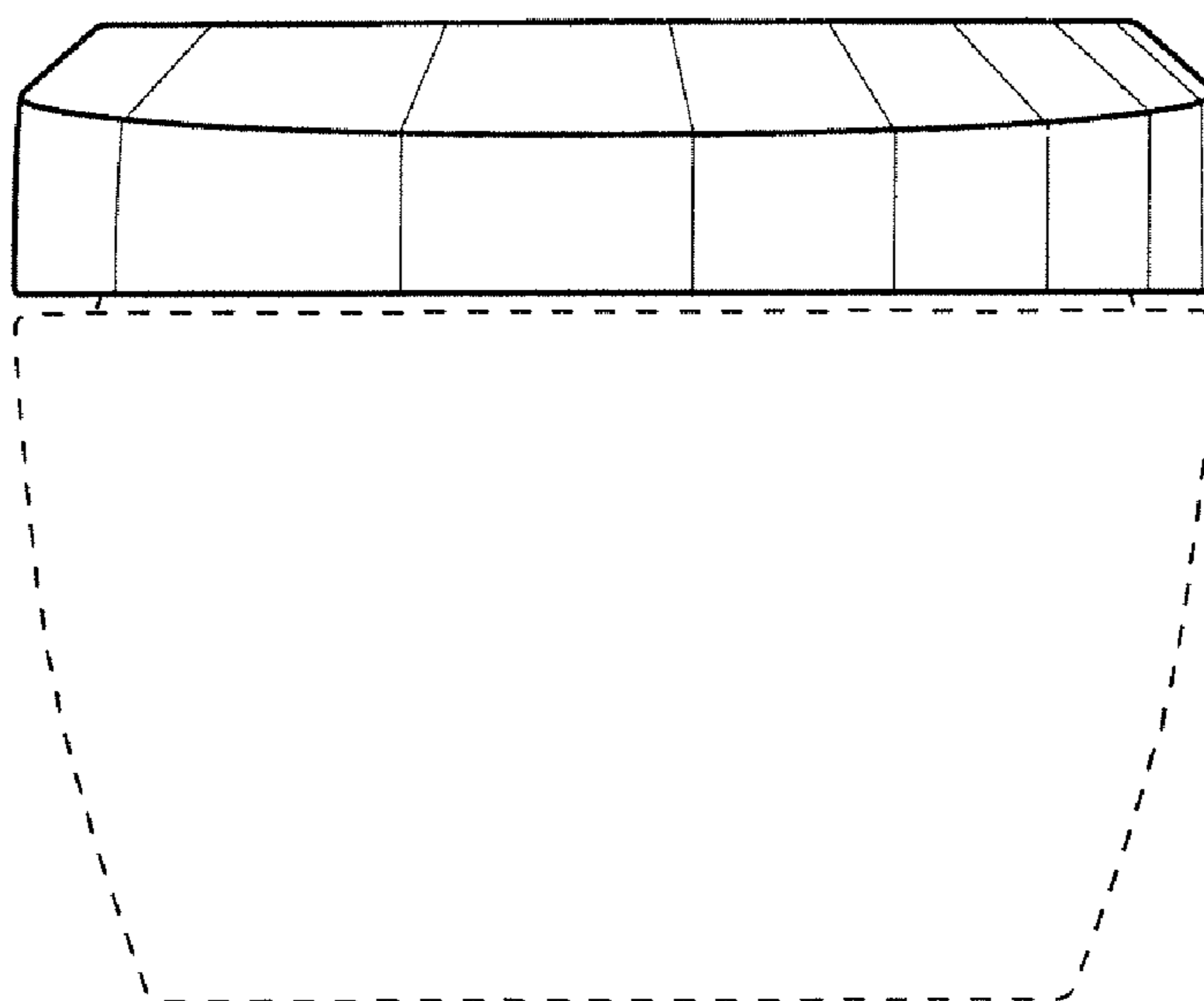


Fig. 5

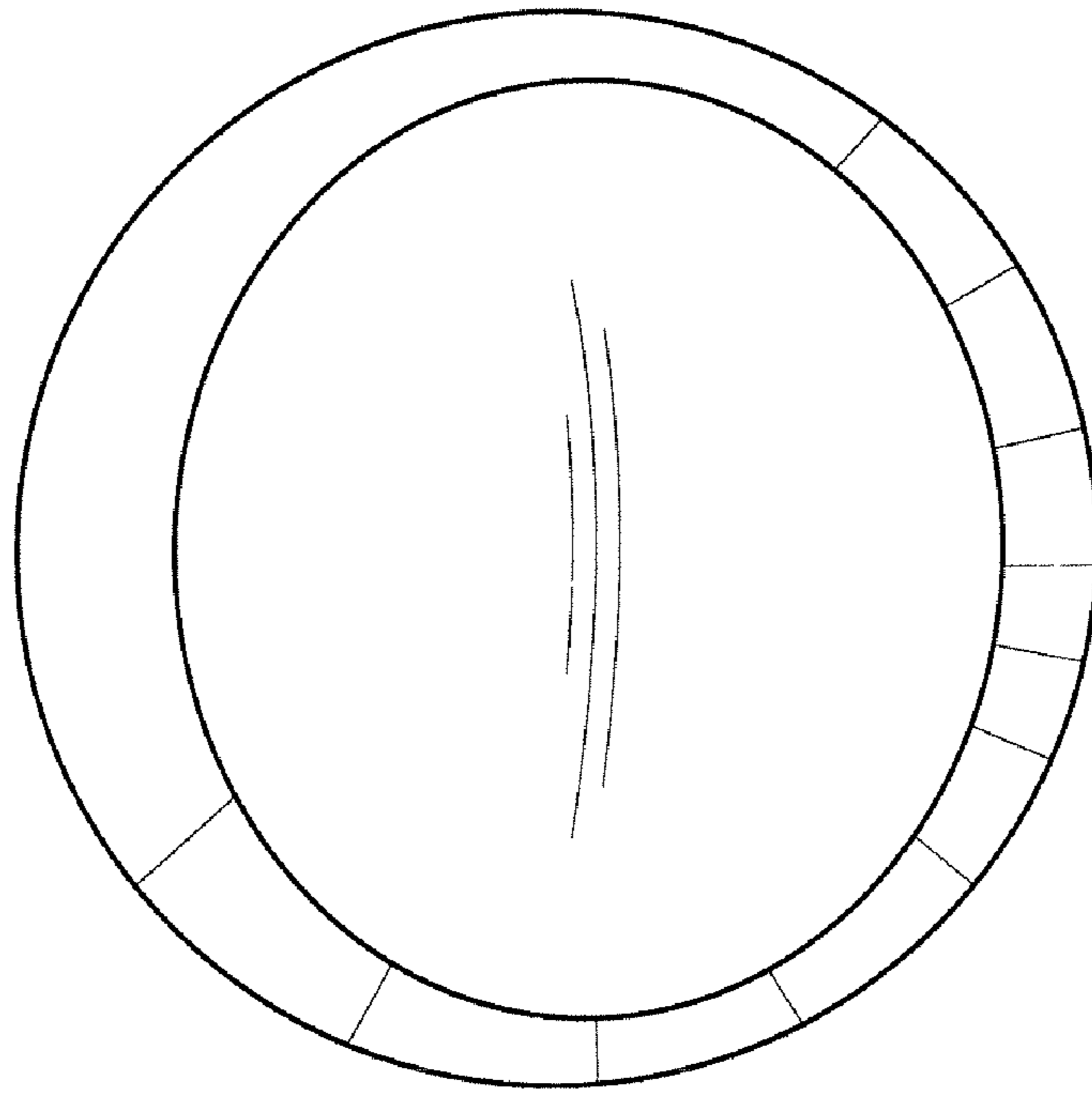


Fig. 6

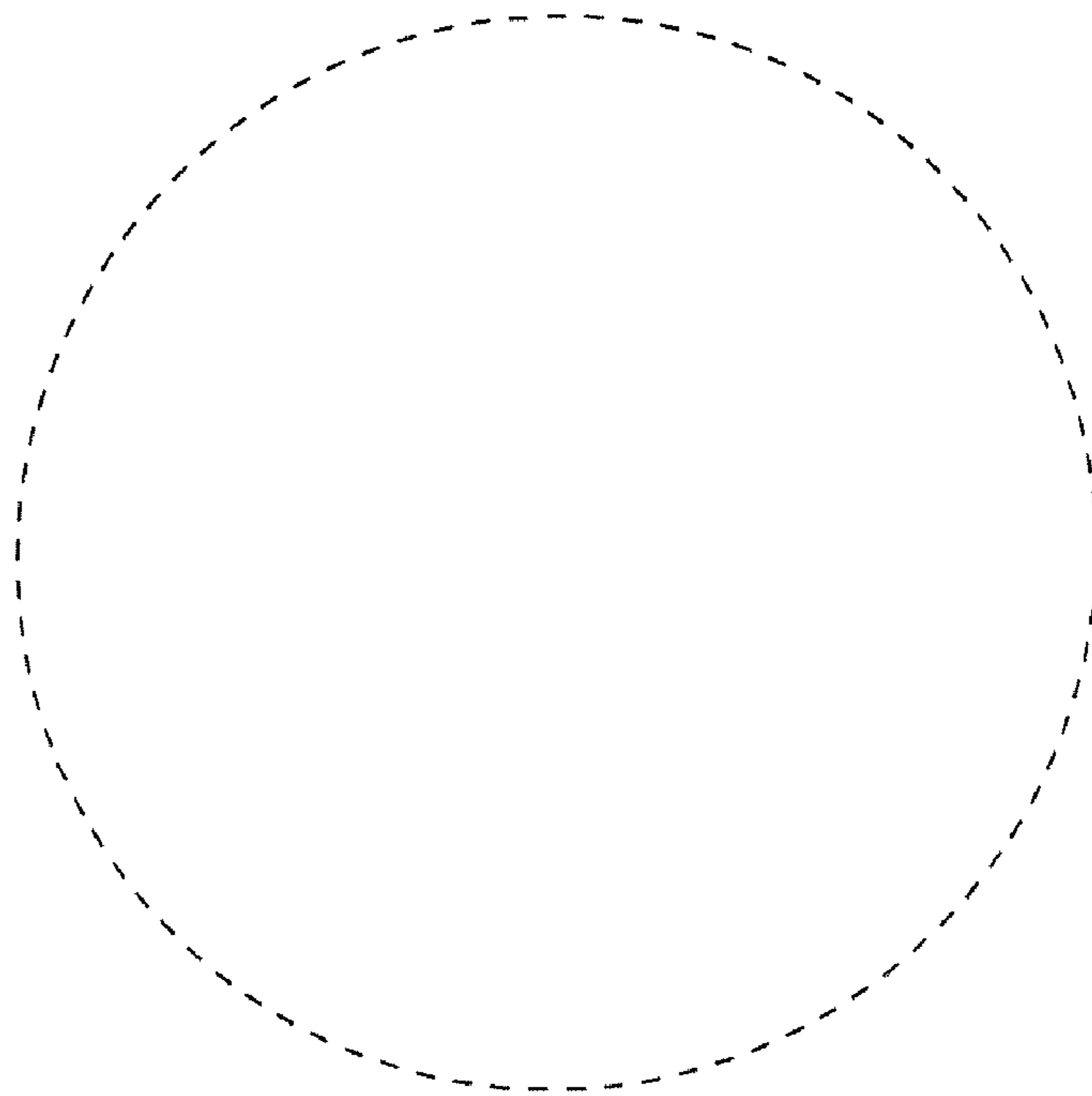


Fig. 7