



US00D636672S

(12) **United States Design Patent**
Lohrman et al.

(10) **Patent No.:** **US D636,672 S**
(45) **Date of Patent:** **** Apr. 26, 2011**

(54) **DISPENSING CLOSURE**

(75) Inventors: **Richard D. Lohrman**, Aurora, IL (US);
Mike Xiaoli Ma, San Jose, CA (US)

(73) Assignee: **Portola Packaging, Inc.**, Naperville, IL
(US)

(**) Term: **14 Years**

(21) Appl. No.: **29/378,135**

(22) Filed: **Oct. 29, 2010**

Related U.S. Application Data

(63) Continuation-in-part of application No. 29/355,700,
filed on Feb. 12, 2010, now Pat. No. Des. 626,412,
which is a continuation-in-part of application No.
29/344,607, filed on Oct. 1, 2009, now Pat. No. Des.
612,729, which is a continuation of application No.
29/336,076, filed on Apr. 28, 2009, now Pat. No. Des.
610,454.

(51) **LOC (9) Cl.** **09-07**

(52) **U.S. Cl.** **D9/449; D9/447; D9/453; D9/438**

(58) **Field of Classification Search** 215/305,
215/306, 322; 220/260, 375, 810, 811; 222/492,
222/494, 521; D9/423, 438, 443, 446, 447,
D9/449, 450, 453, 529, 560, 738; D7/392.1
See application file for complete search history.

(56) **References Cited**

U.S. PATENT DOCUMENTS

6,173,853	B1 *	1/2001	Luch	215/256
D587,580	S *	3/2009	Kane et al.	D9/453
D610,454	S *	2/2010	Lohrman et al.	D9/449
7,802,690	B2 *	9/2010	Lohrman et al.	215/305
D626,412	S *	11/2010	Lohrman et al.	D9/449
D626,413	S *	11/2010	Lohrman et al.	D9/449
2005/0092750	A1 *	5/2005	Lohrman et al.	220/258.2
2005/0269282	A1 *	12/2005	Luch	215/256
2007/0095835	A1 *	5/2007	Lohrman et al.	220/258.2
2008/0272084	A1 *	11/2008	Lohrman et al.	215/255
2011/0011821	A1 *	1/2011	Lohrman et al.	215/255

* cited by examiner

Primary Examiner — Susan Hattan

(74) *Attorney, Agent, or Firm* — James P. Hanrath; Adam K. Sacharoff

(57) **CLAIM**

The ornamental design for a dispensing closure, as shown and described.

DESCRIPTION

FIG. 1 is a top perspective view of a dispensing closure in accordance with the invention shown with a top lid in the opened position;

FIG. 2 is a top view of the dispensing closure from FIG. 1; FIG. 3 is a bottom view of the dispensing closure from FIG. 1; FIG. 4 is a front side view of the dispensing closure from FIG. 1;

FIG. 5 is a back side view of the dispensing closure from FIG. 1;

FIG. 6 is a right side view of the dispensing closure from FIG. 1;

FIG. 7 is a left side view of the dispensing closure from FIG. 1;

FIG. 8 is a bottom perspective view of the dispensing closure from FIG. 1;

FIG. 9 is a cross sectional view of the dispensing closure taken from FIG. 2 along line 9—9;

FIG. 10 is a top perspective view of the dispensing closure of FIG. 1 shown with the top lid in the closed position;

FIG. 11 is a top view of the dispensing closure from FIG. 10; FIG. 12 is a bottom view of the dispensing closure from FIG. 10;

FIG. 13 is a front side view of the dispensing closure from FIG. 10;

FIG. 14 is a back side view of the dispensing closure from FIG. 10;

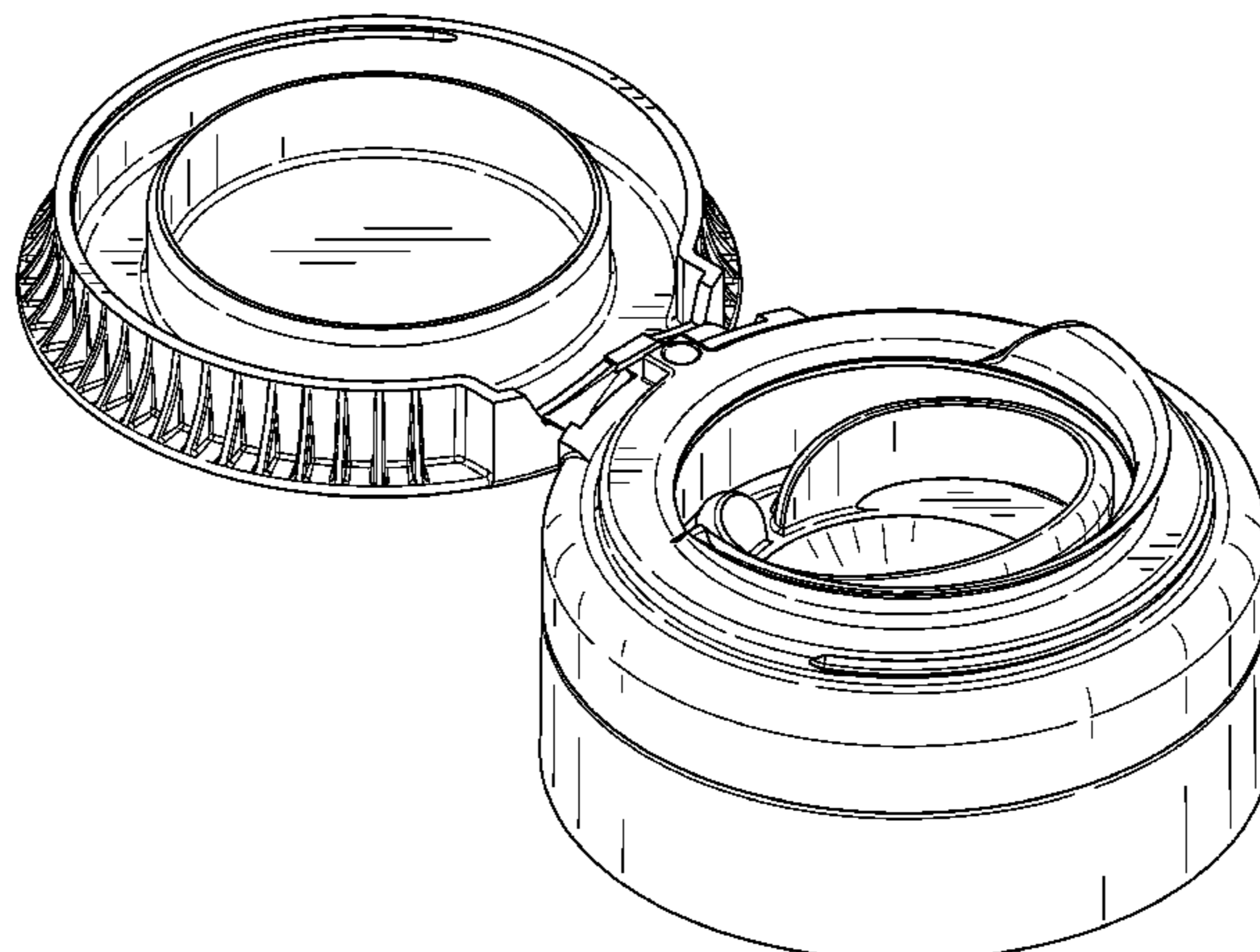
FIG. 15 is a right side view of the dispensing closure from FIG. 10;

FIG. 16 is a left side view of the dispensing closure from FIG. 10;

FIG. 17 is a bottom perspective view of the dispensing closure from FIG. 10; and,

FIG. 18 is a cross sectional view of the dispensing closure taken from FIG. 11 along line 18—18.

1 Claim, 14 Drawing Sheets



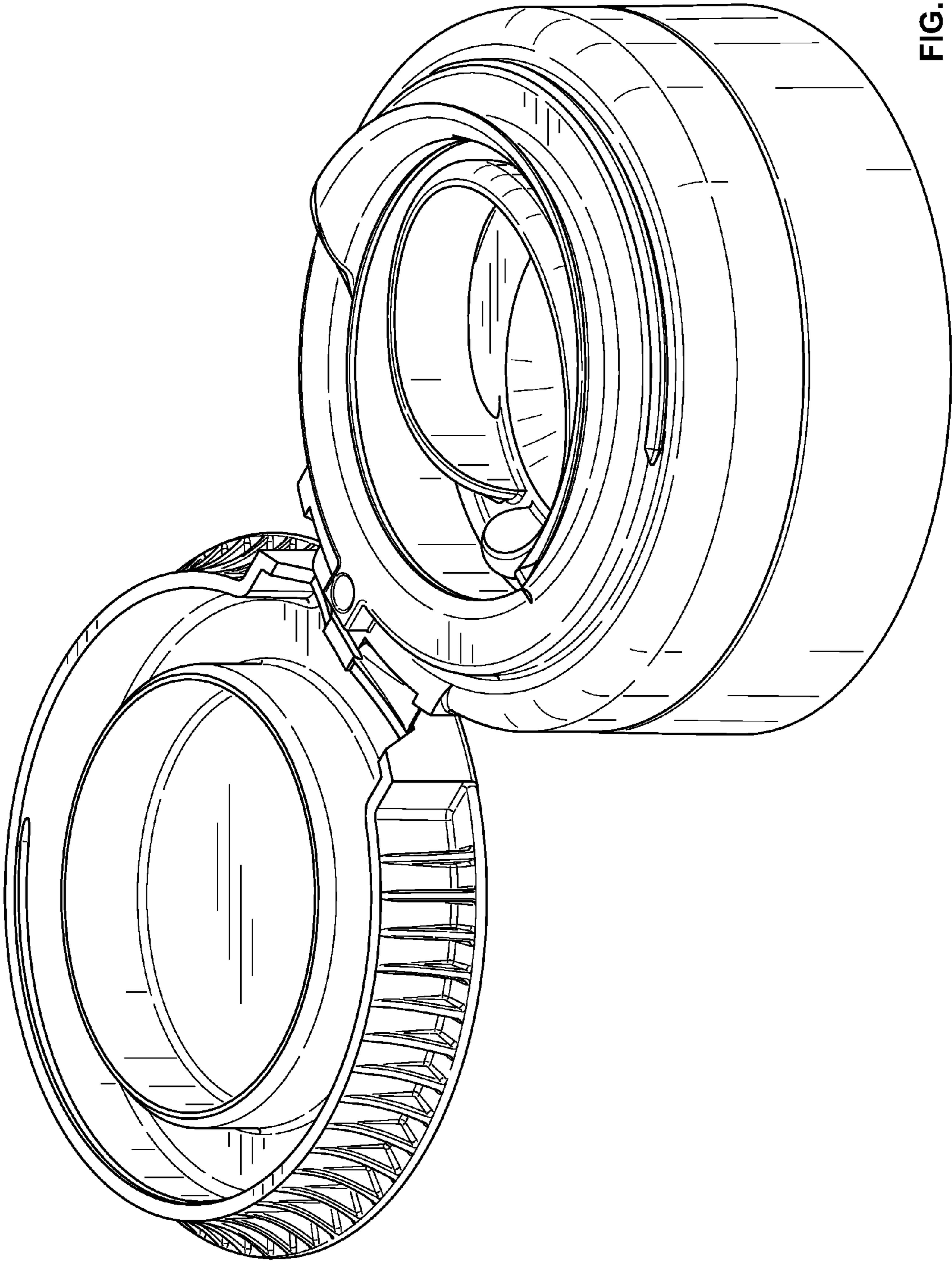


FIG. 1

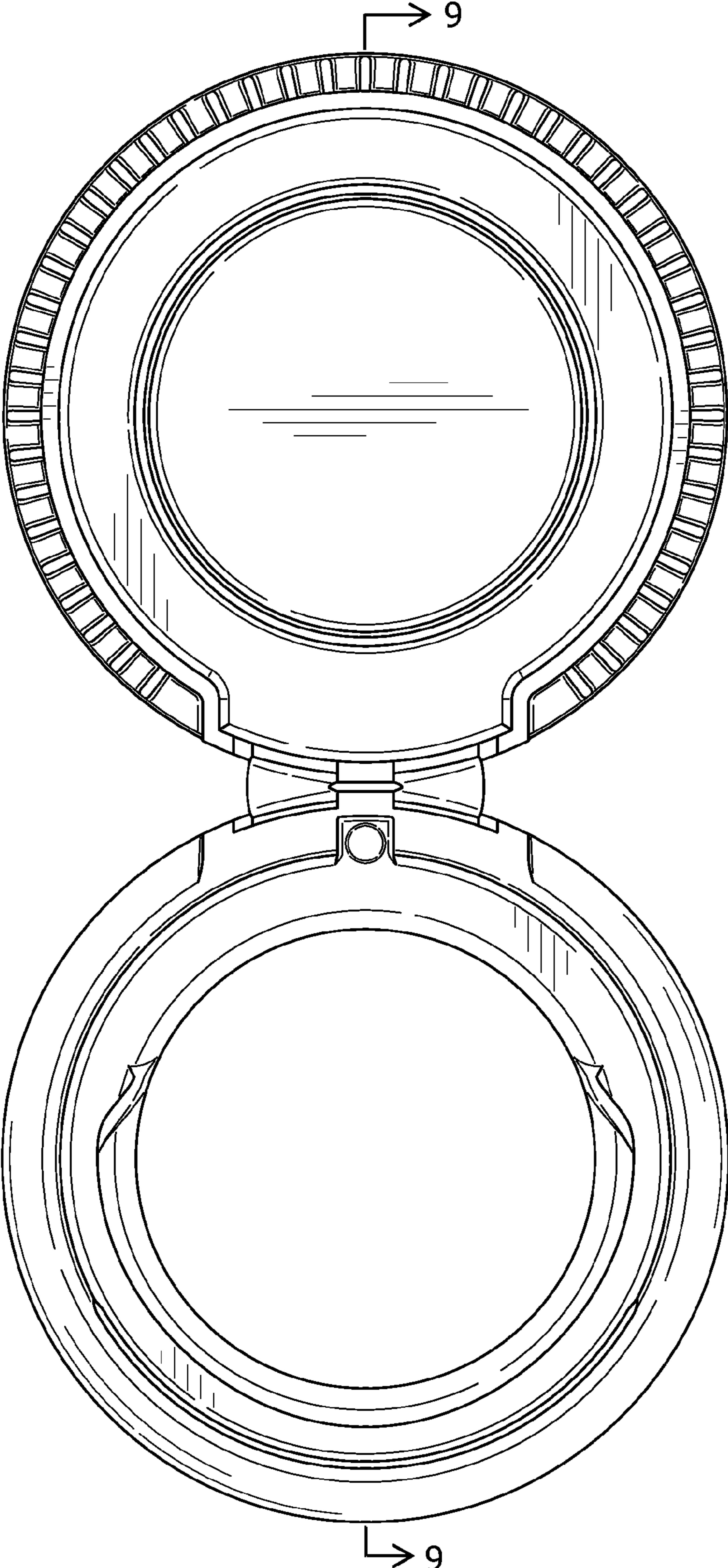


FIG. 2

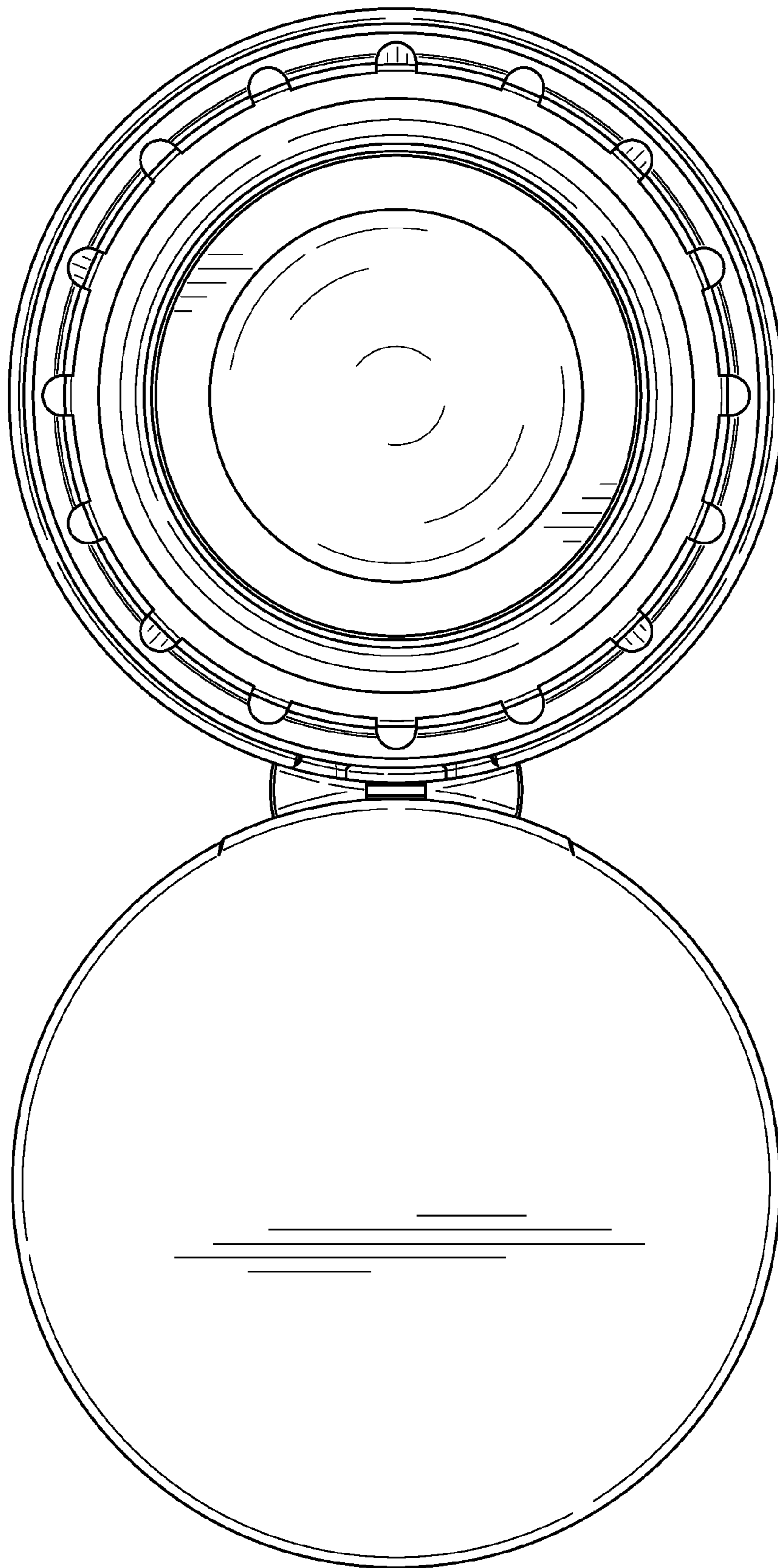


FIG. 3

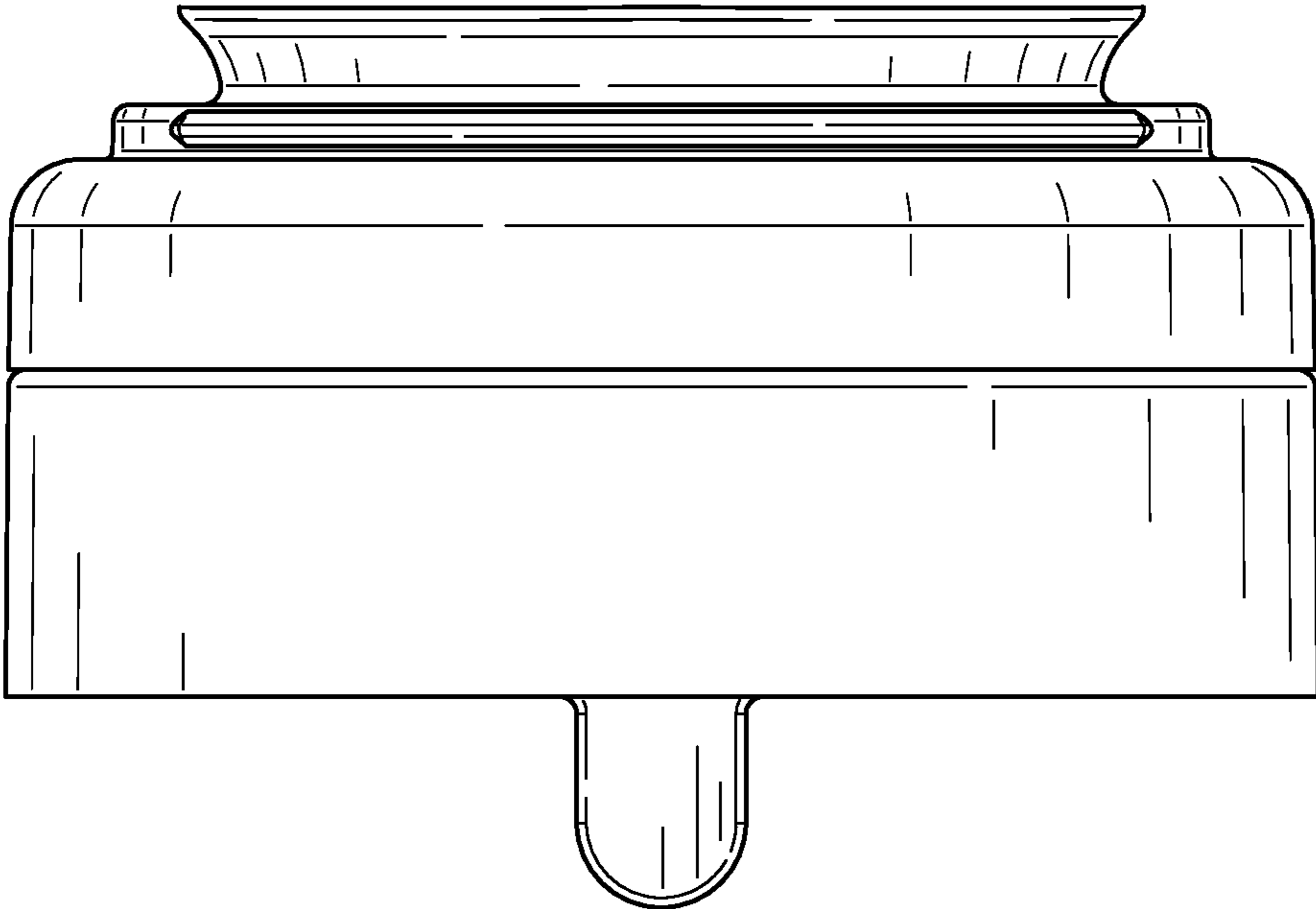


FIG. 4

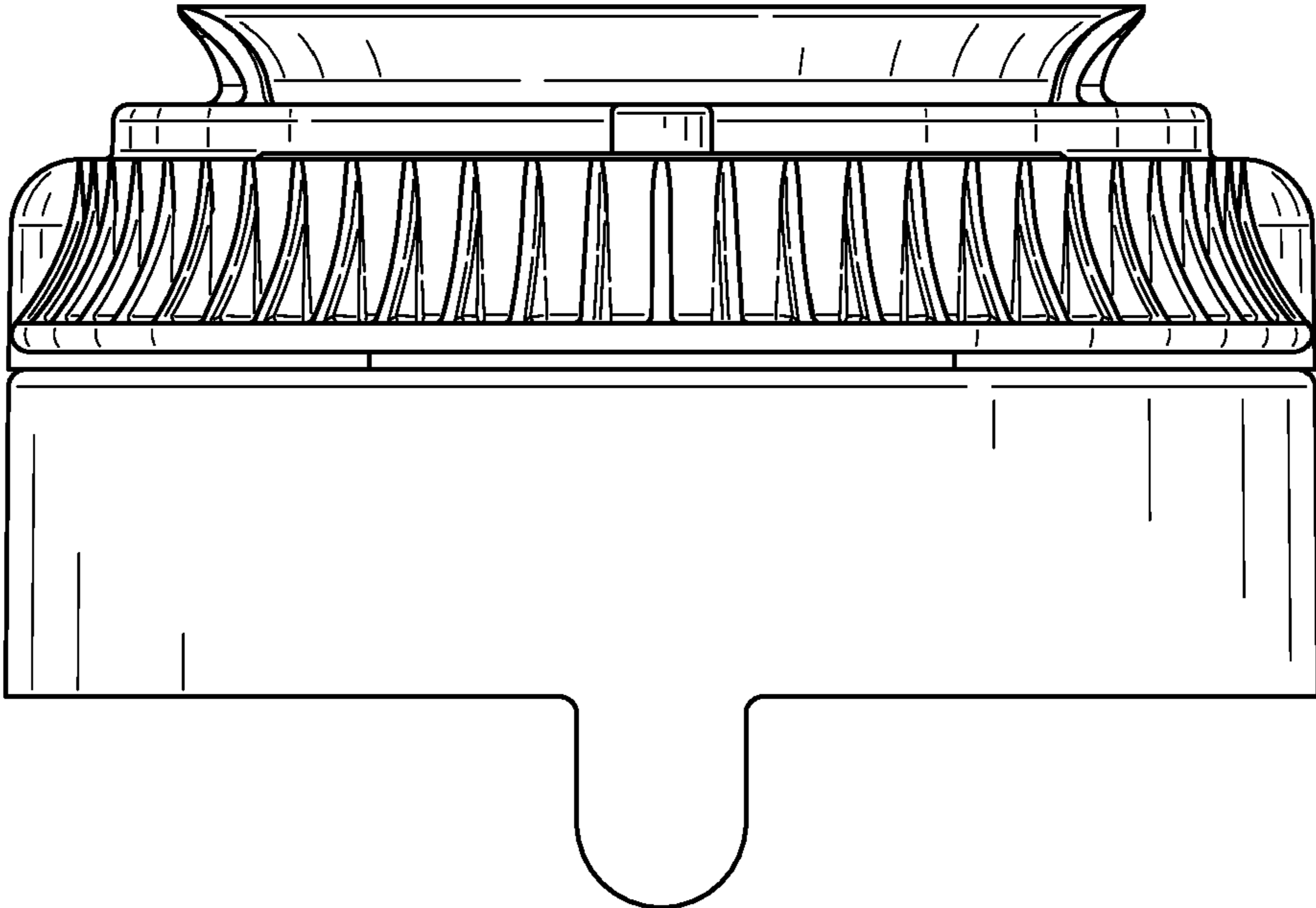


FIG. 5

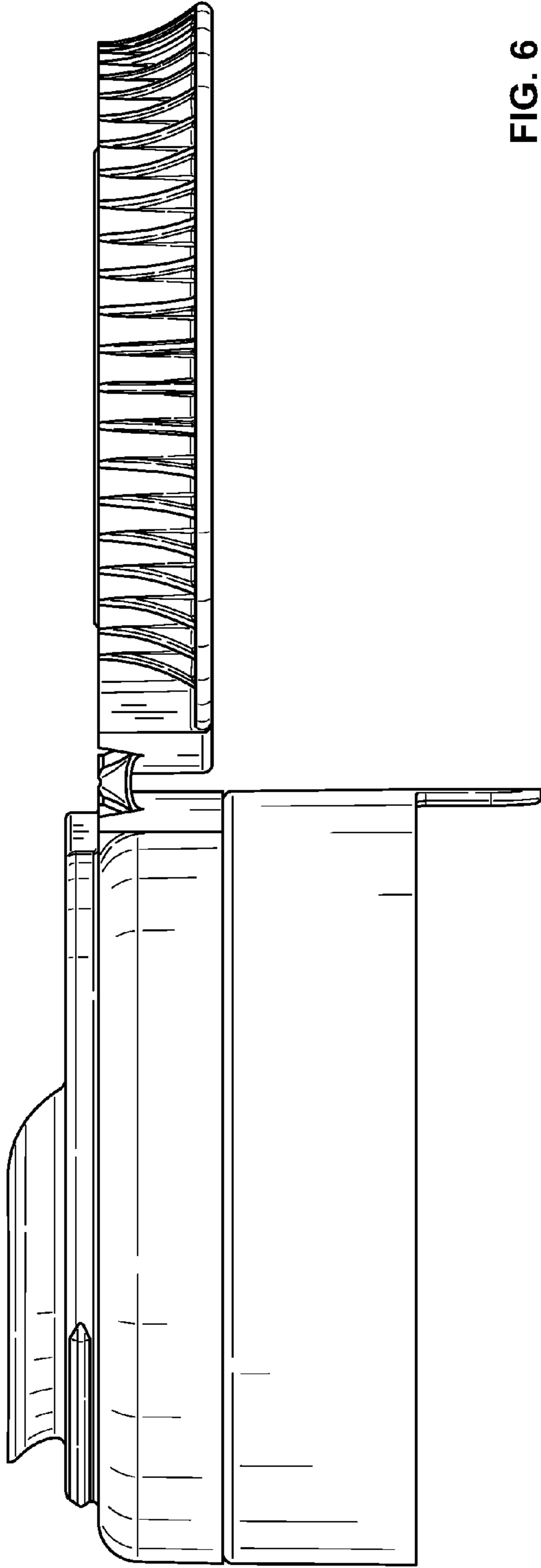


FIG. 6

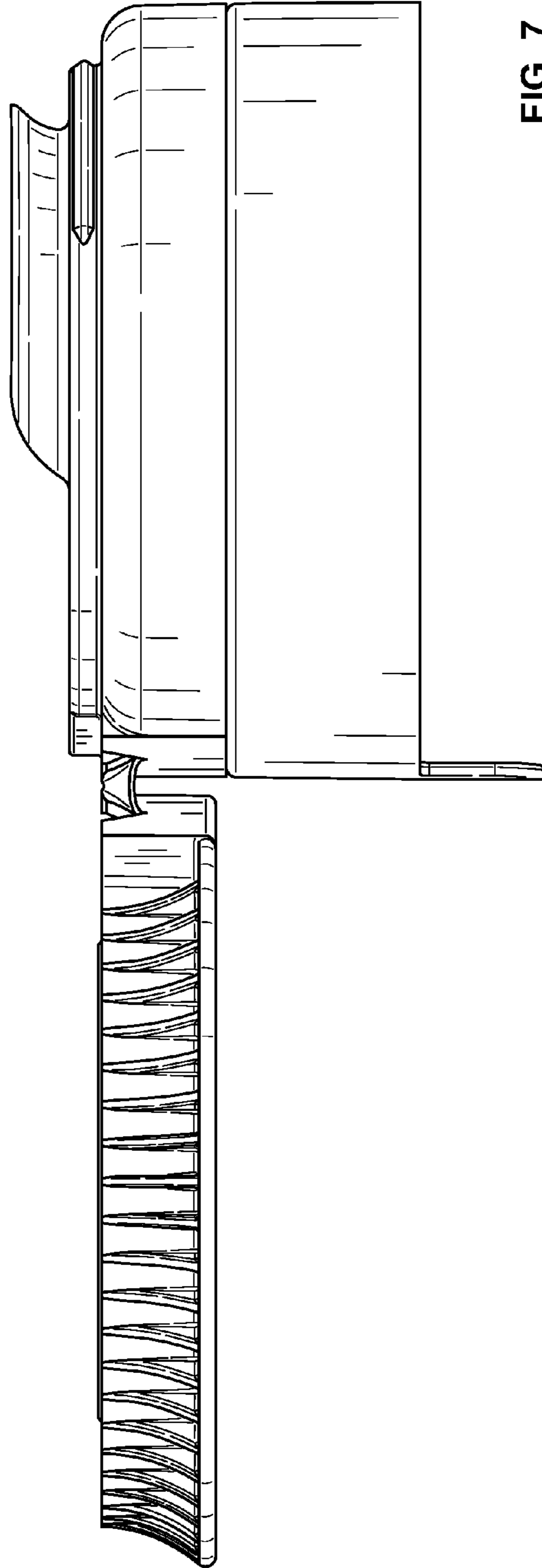


FIG. 7

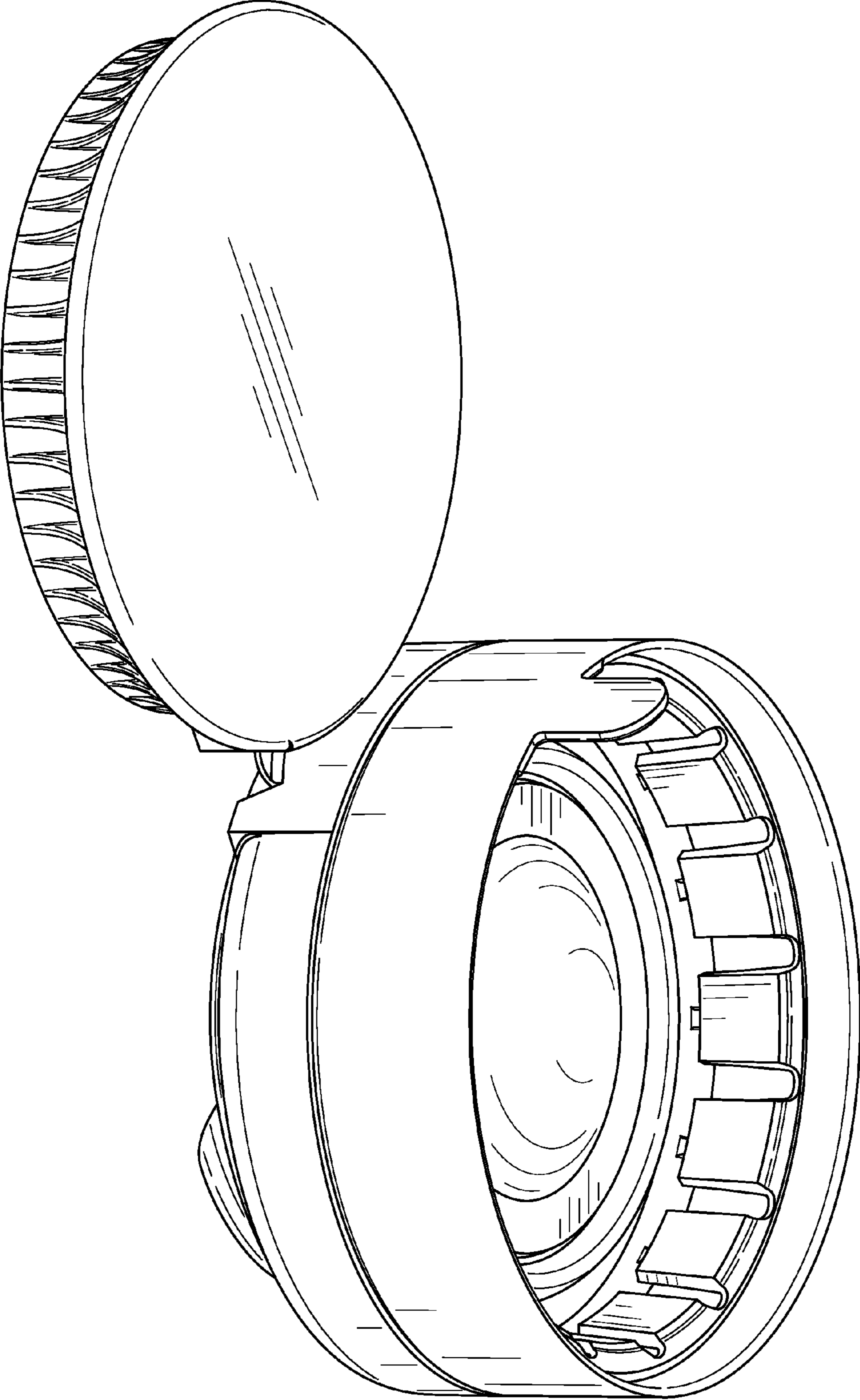


FIG. 8

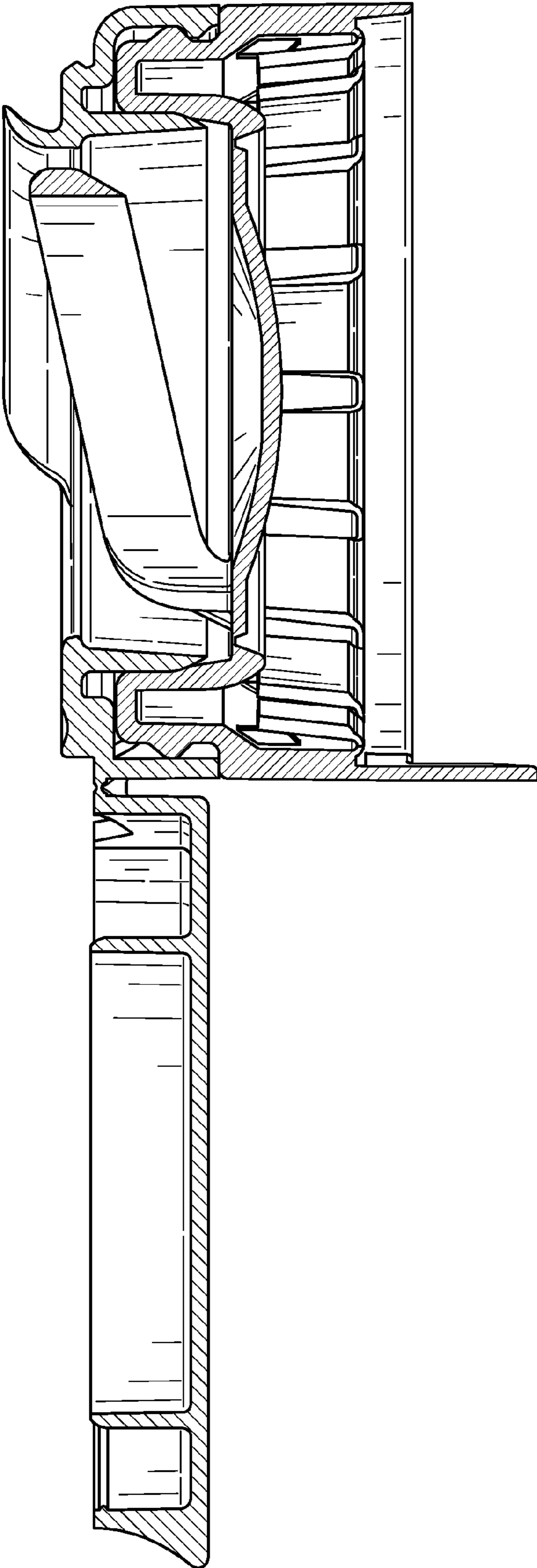


FIG. 9

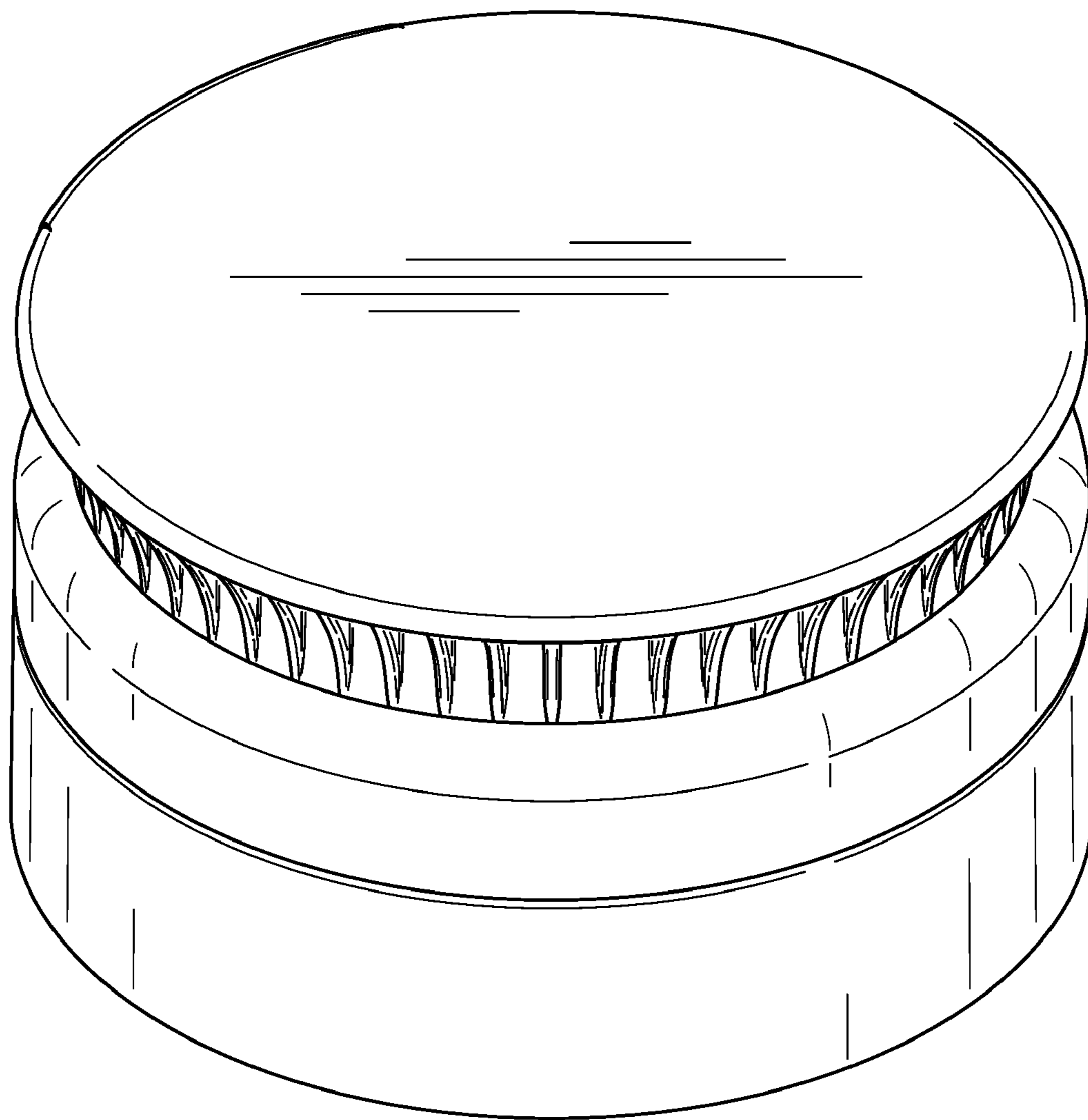


FIG. 10

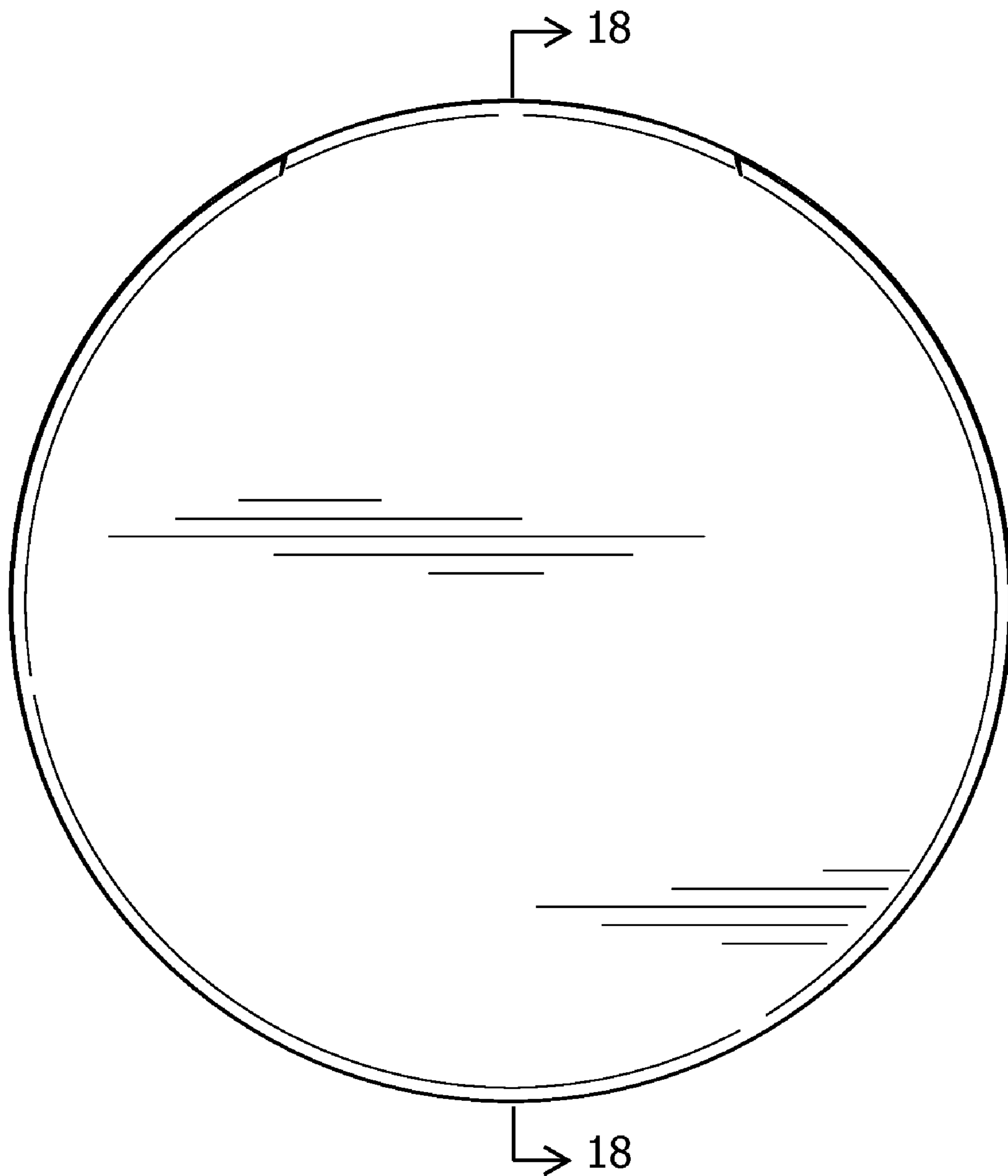


FIG. 11

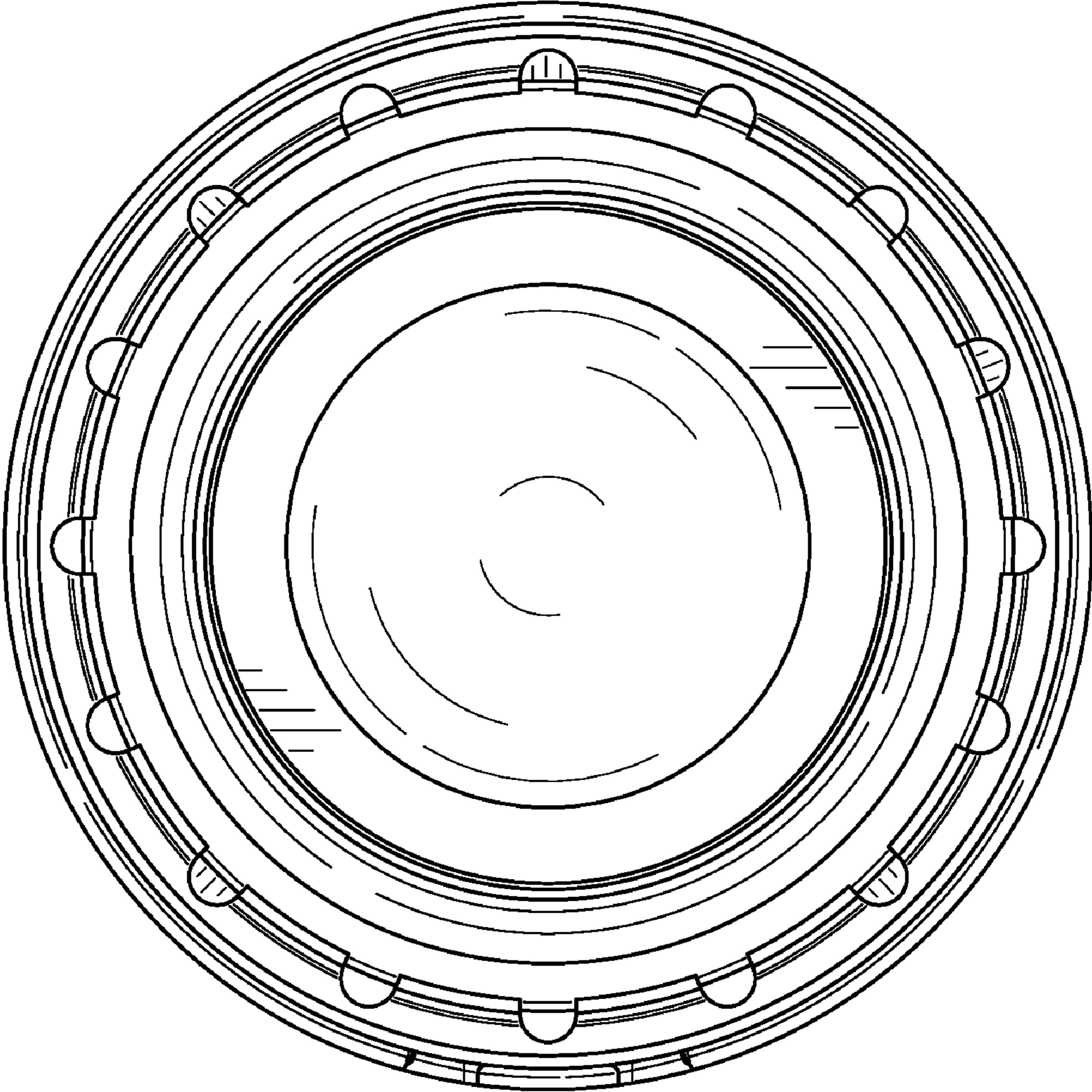


FIG. 12

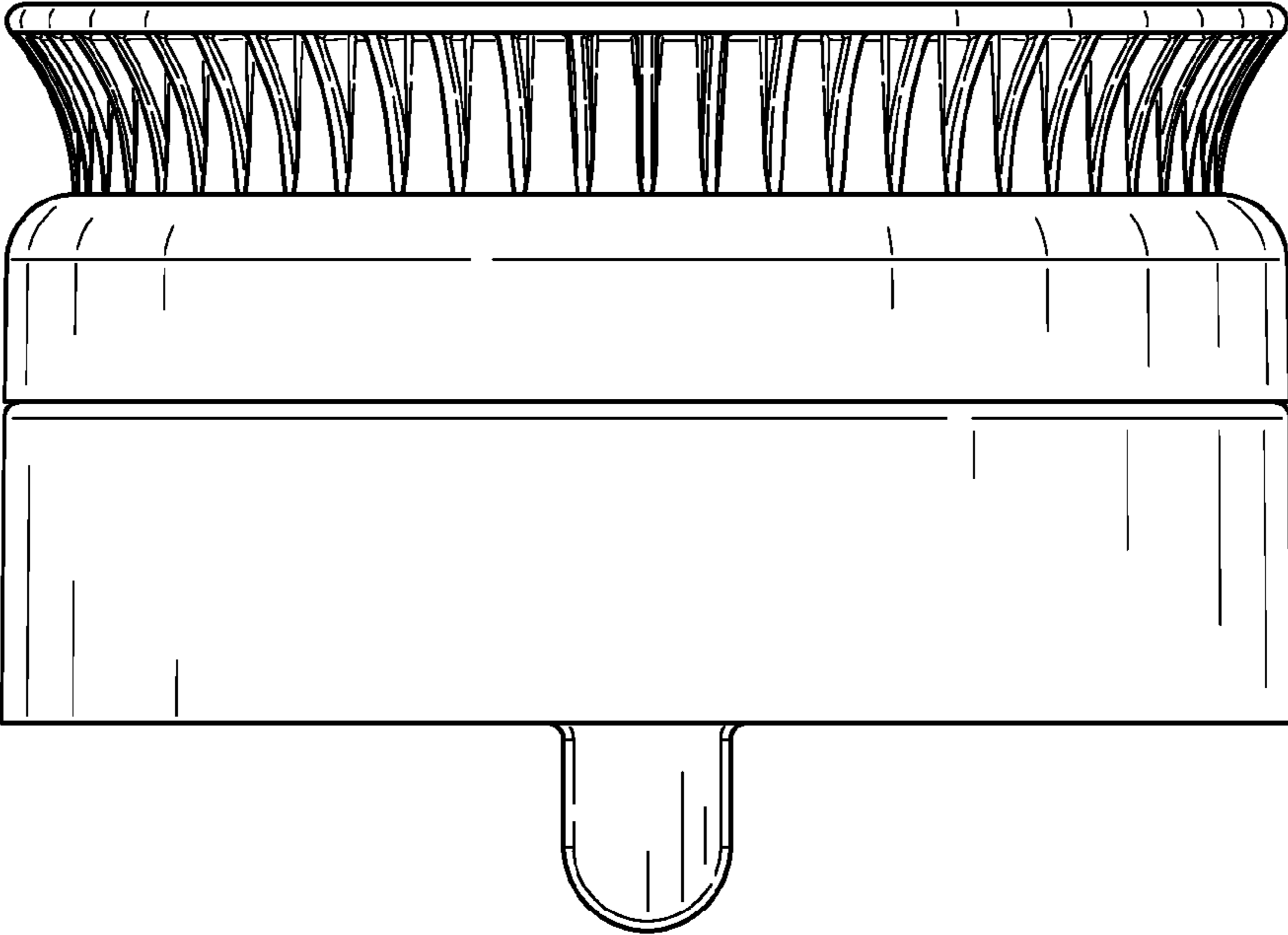


FIG. 13

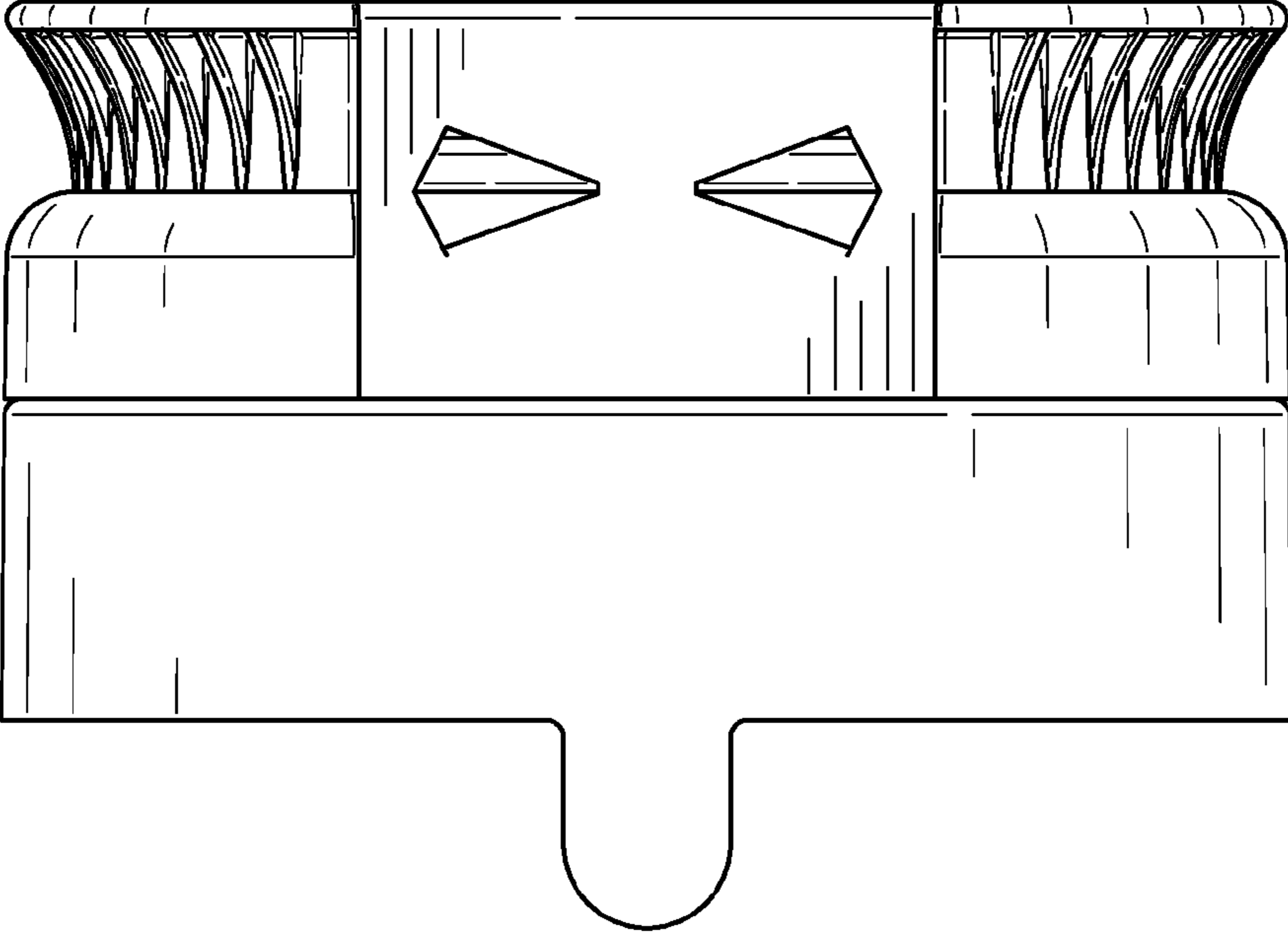


FIG. 14

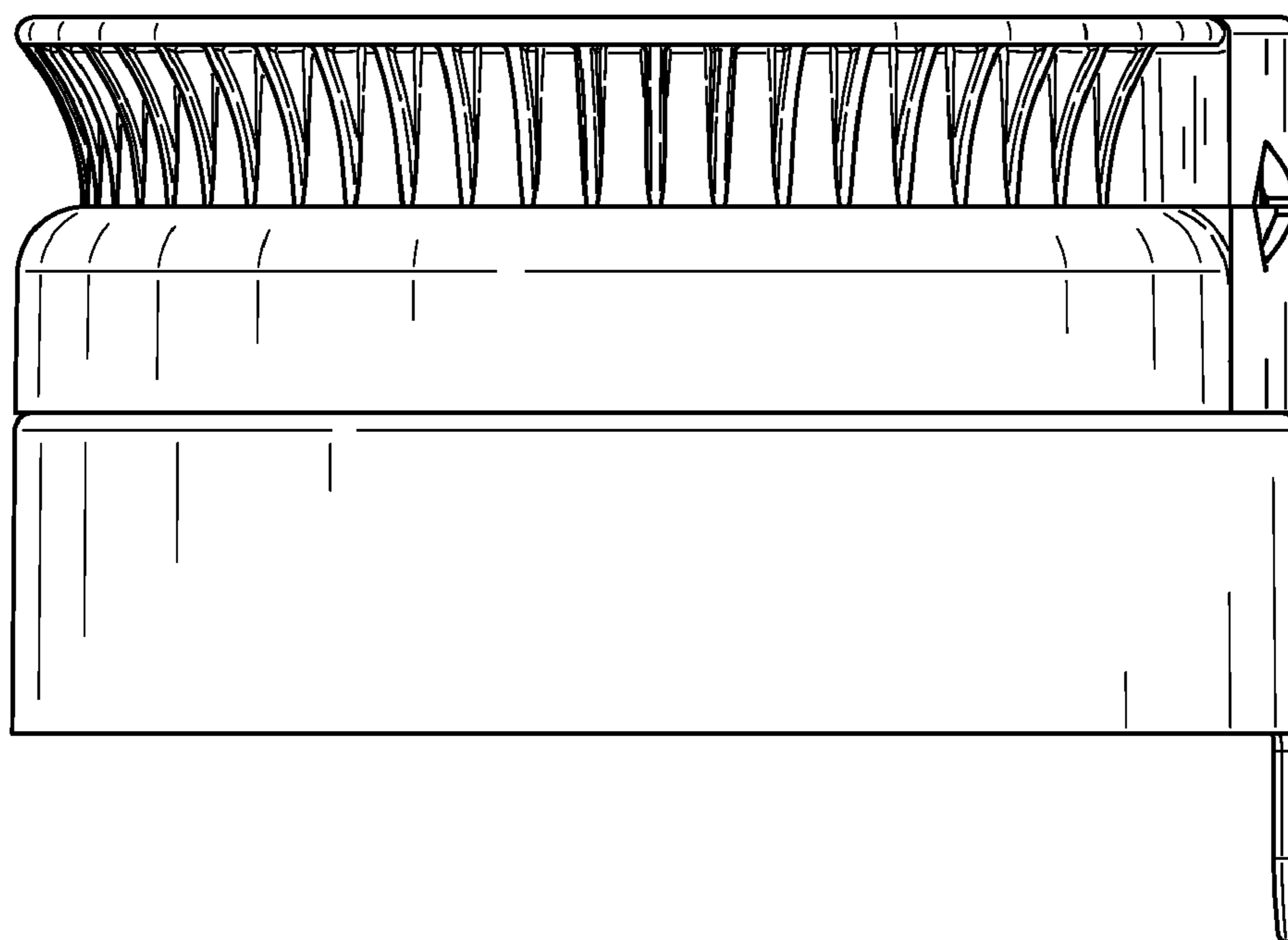


FIG. 15

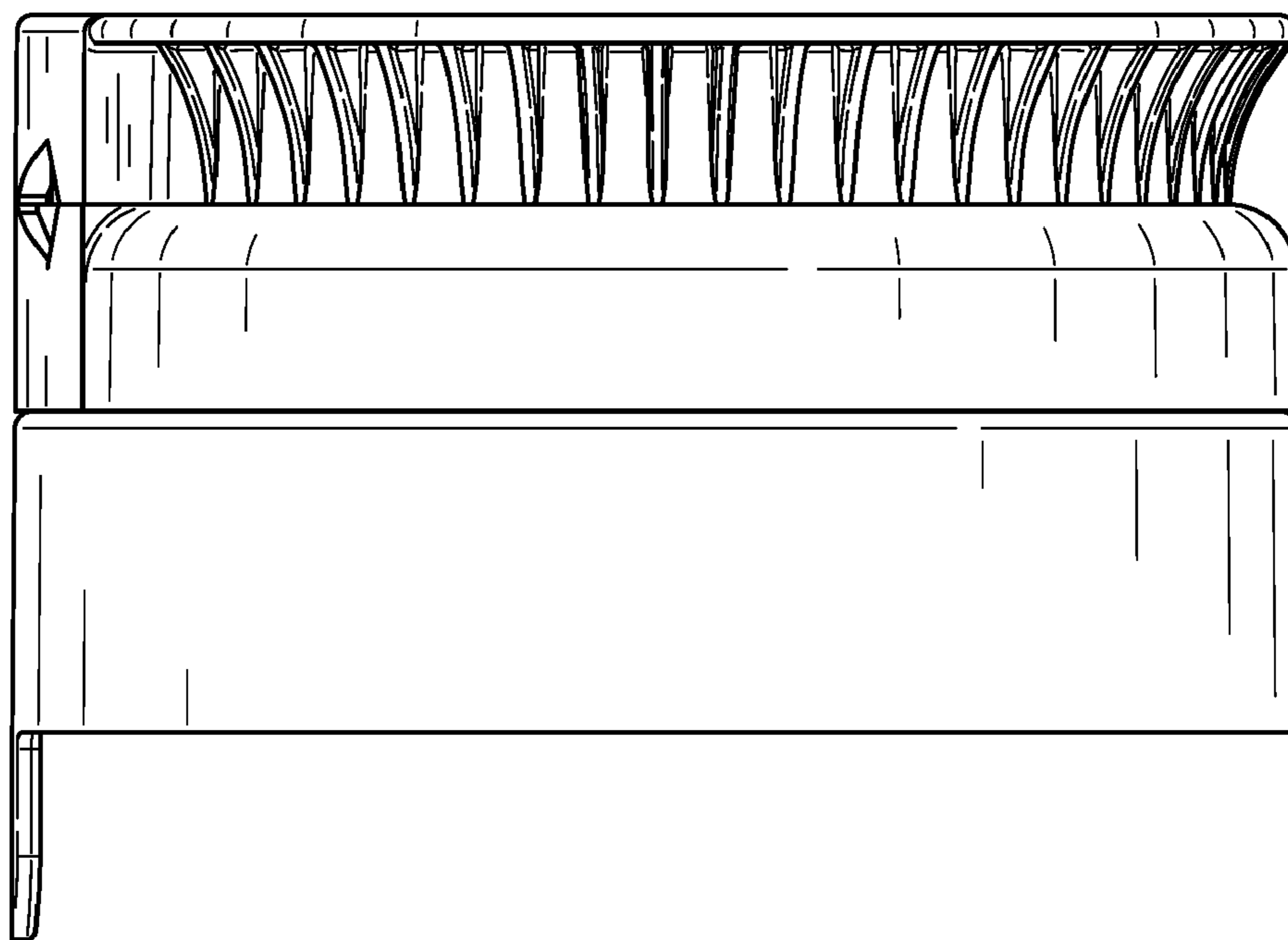


FIG. 16

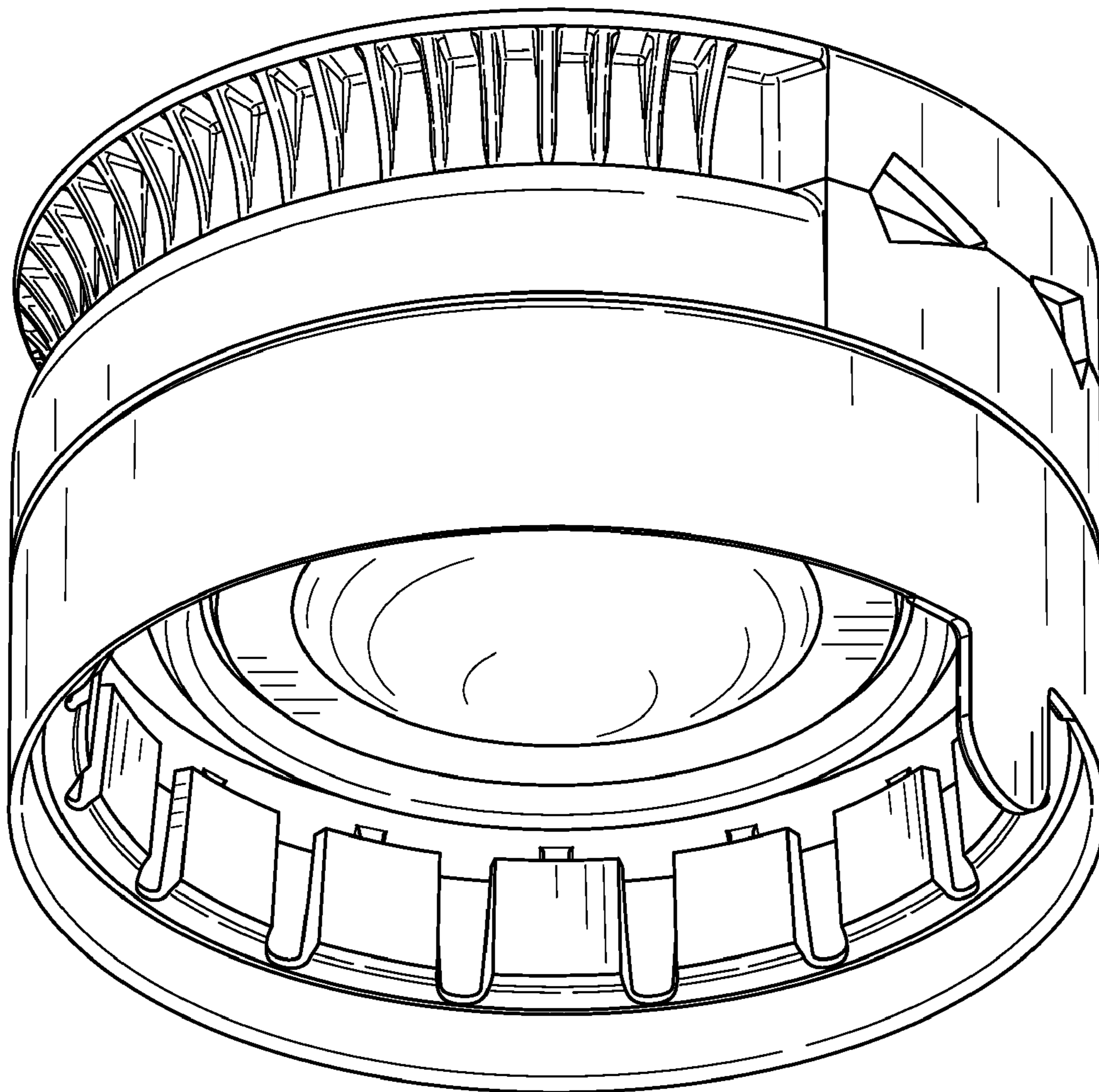


FIG. 17

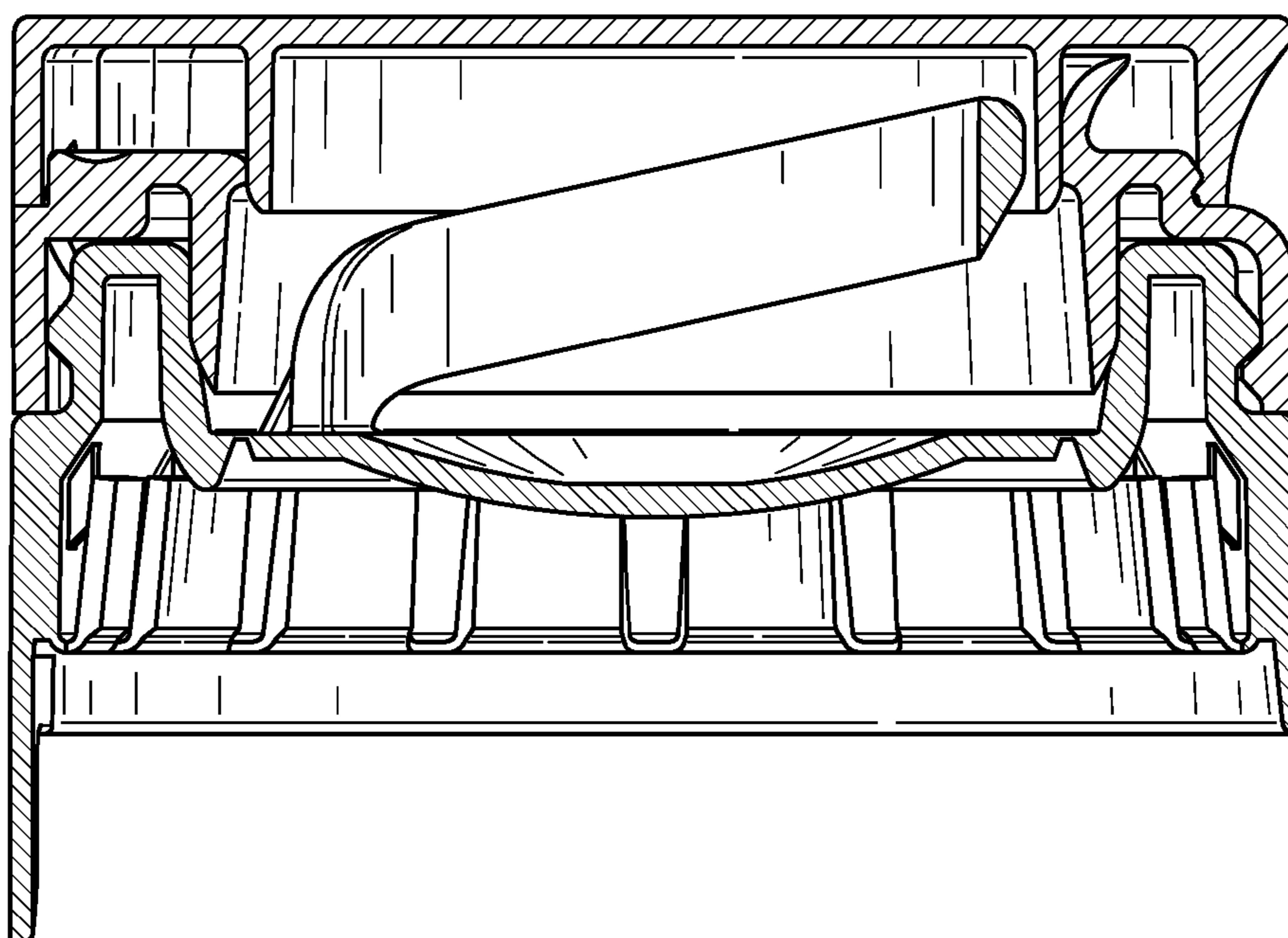


FIG. 18