



US00D636671S

(12) **United States Design Patent**  
**Lohrman et al.**

(10) **Patent No.:** **US D636,671 S**

(45) **Date of Patent:** **\*\* Apr. 26, 2011**

(54) **DISPENSING CLOSURE**

(75) Inventors: **Richard D. Lohrman**, Aurora, IL (US);  
**Mike Xiaoli Ma**, San Jose, CA (US)

(73) Assignee: **Portola Packaging, Inc.**, Naperville, IL (US)

(\*\*) Term: **14 Years**

(21) Appl. No.: **29/378,143**

(22) Filed: **Oct. 29, 2010**

**Related U.S. Application Data**

(63) Continuation-in-part of application No. 29/355,705, filed on Feb. 12, 2010, now Pat. No. Des. 626,410, which is a continuation-in-part of application No. 29/344,607, filed on Oct. 1, 2009, now Pat. No. Des. 612,729, which is a continuation of application No. 29/336,076, filed on Apr. 28, 2009, now Pat. No. Des. 610,454.

(51) **LOC (9) Cl.** ..... **09-07**

(52) **U.S. Cl.** ..... **D9/438**

(58) **Field of Classification Search** ..... 215/305, 215/306, 322; 220/260, 375, 810, 811; 222/492, 222/494, 521; D9/423, 438, 443, 446, 447, D9/449, 450, 453, 529, 560, 738; D7/392.1

See application file for complete search history.

(56) **References Cited**

**U.S. PATENT DOCUMENTS**

6,173,853 B1 \* 1/2001 Luch ..... 215/256  
D576,875 S \* 9/2008 Steiger et al. .... D9/449  
D610,454 S \* 2/2010 Lohrman et al. .... D9/449

D626,410 S \* 11/2010 Lohrman et al. .... D9/438  
D626,413 S \* 11/2010 Lohrman et al. .... D9/449  
2005/0092750 A1 \* 5/2005 Lohrman et al. .... 220/258.2  
2007/0095835 A1 \* 5/2007 Lohrman et al. .... 220/258.2  
2008/0272084 A1 \* 11/2008 Lohrman et al. .... 215/255  
2011/0011821 A1 \* 1/2011 Lohrman et al. .... 215/255

\* cited by examiner

*Primary Examiner* — Susan Bennett Hattan

(74) *Attorney, Agent, or Firm* — James P. Hanrath; Adam K. Sacharoff

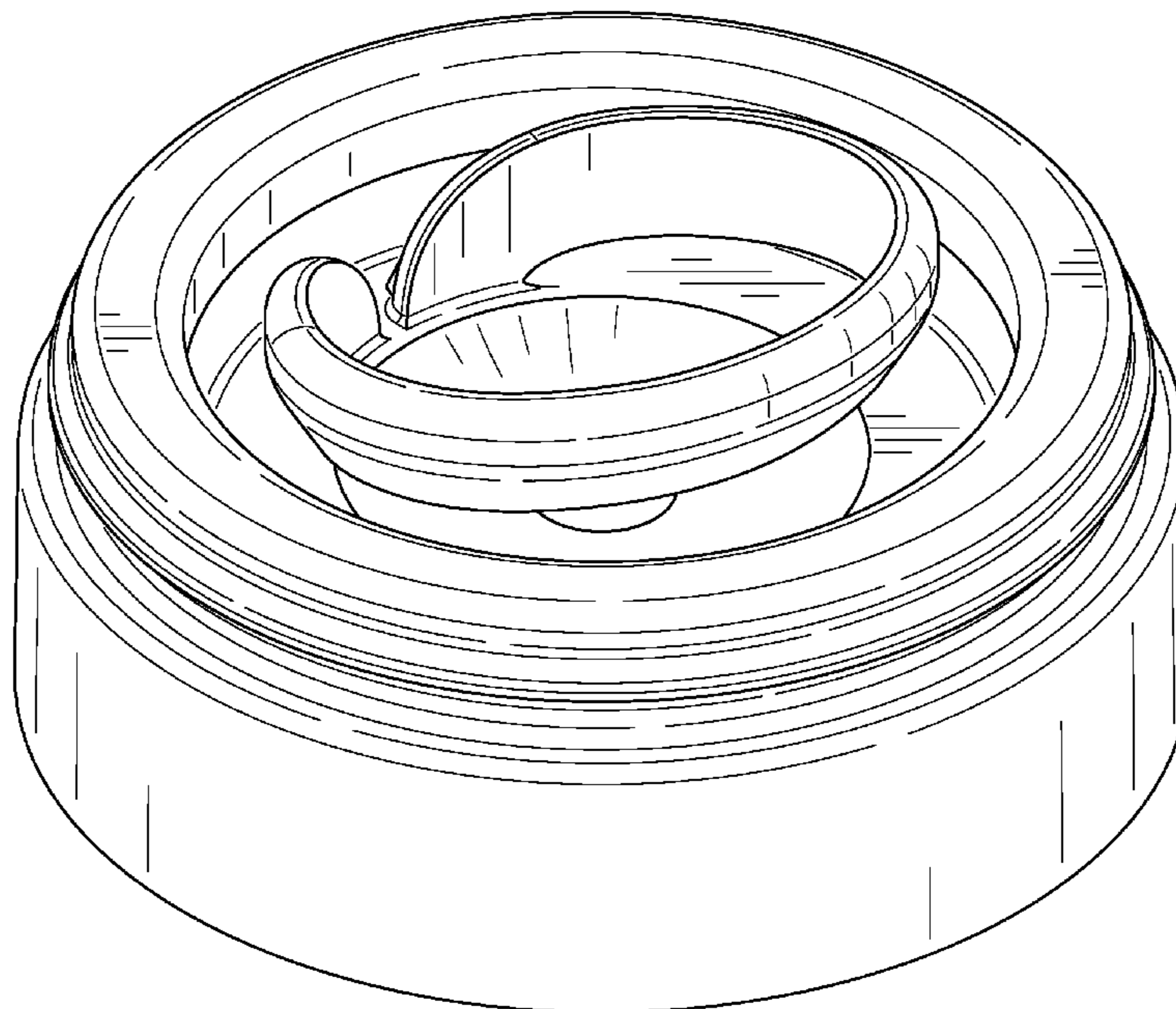
(57) **CLAIM**

The ornamental design for a dispensing closure, as shown and described.

**DESCRIPTION**

FIG. 1 is a top perspective view of a dispensing closure in accordance with the invention shown with a top lid in the opened position; FIG. 2 is a top view of the dispensing closure from FIG. 1; FIG. 3 is a bottom view of the dispensing closure from FIG. 1; FIG. 4 is a front side view of the dispensing closure from FIG. 1; FIG. 5 is a back side view of the dispensing closure from FIG. 1; FIG. 6 is a right side view of the dispensing closure from FIG. 1; FIG. 7 is a left side view of the dispensing closure from FIG. 1; FIG. 8 is a bottom perspective view of the dispensing closure from FIG. 1; and, FIG. 9 is a cross sectional view of the dispensing closure taken from FIG. 2 along line 9—9.

**1 Claim, 7 Drawing Sheets**



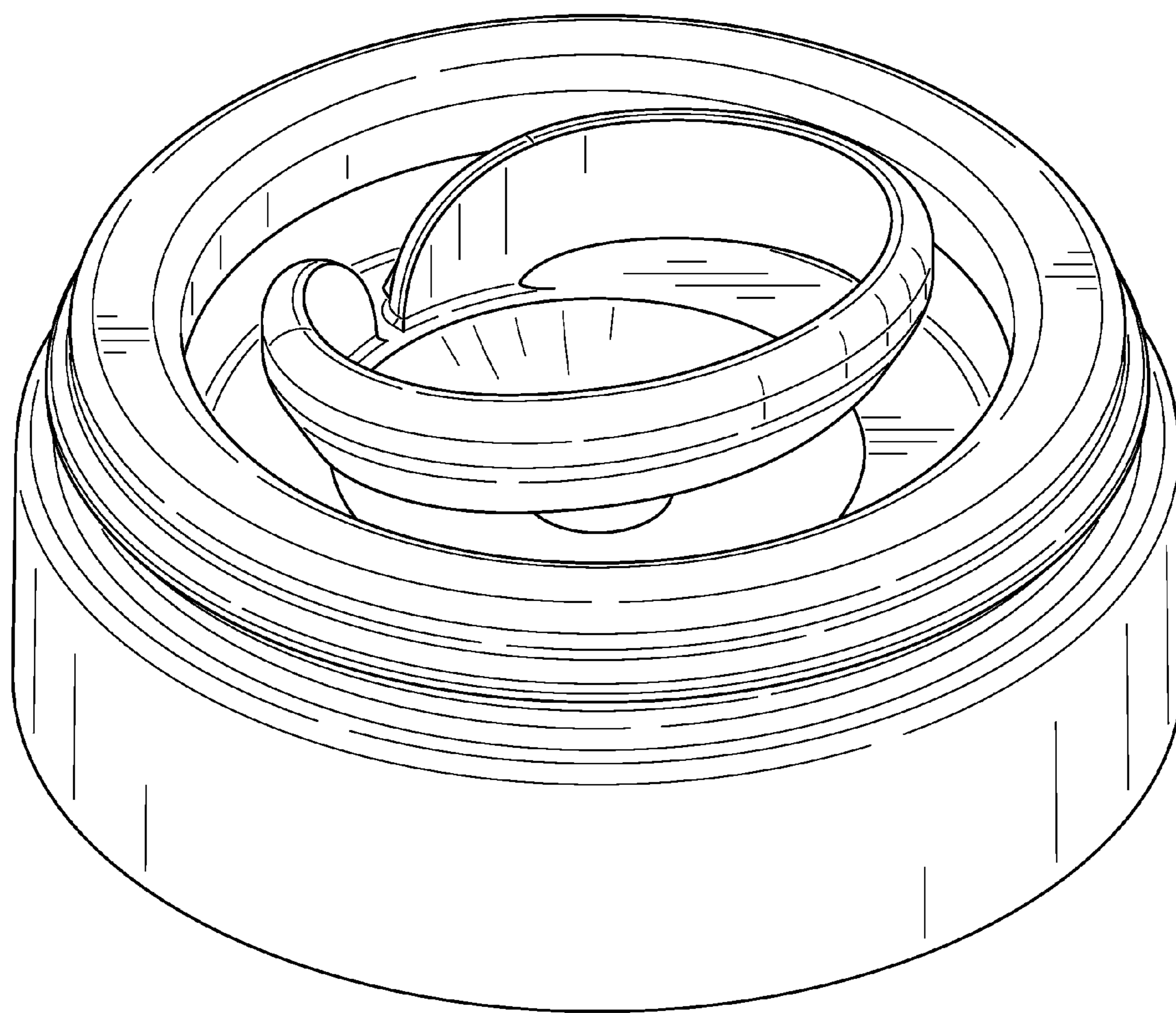


FIG. 1

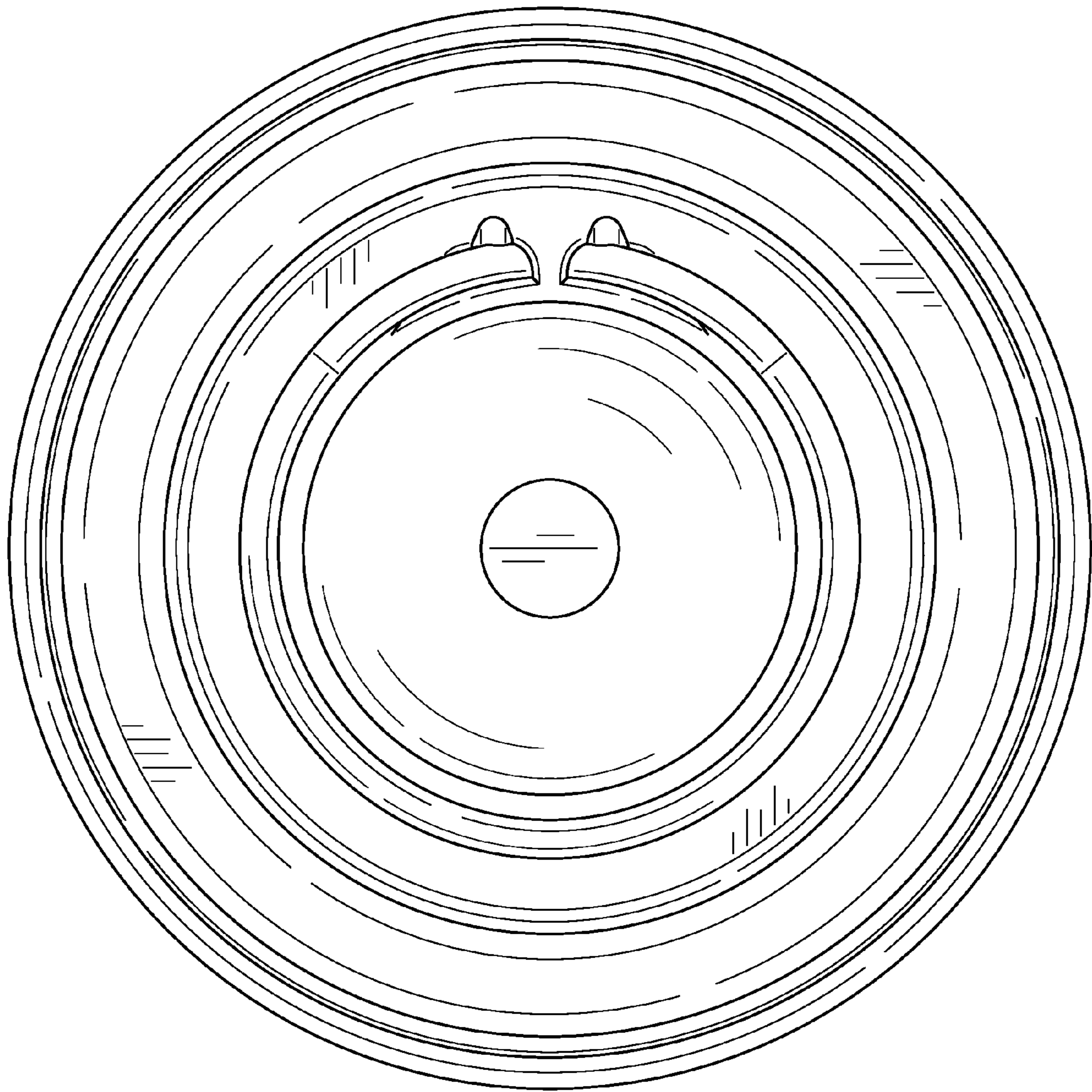


FIG. 2



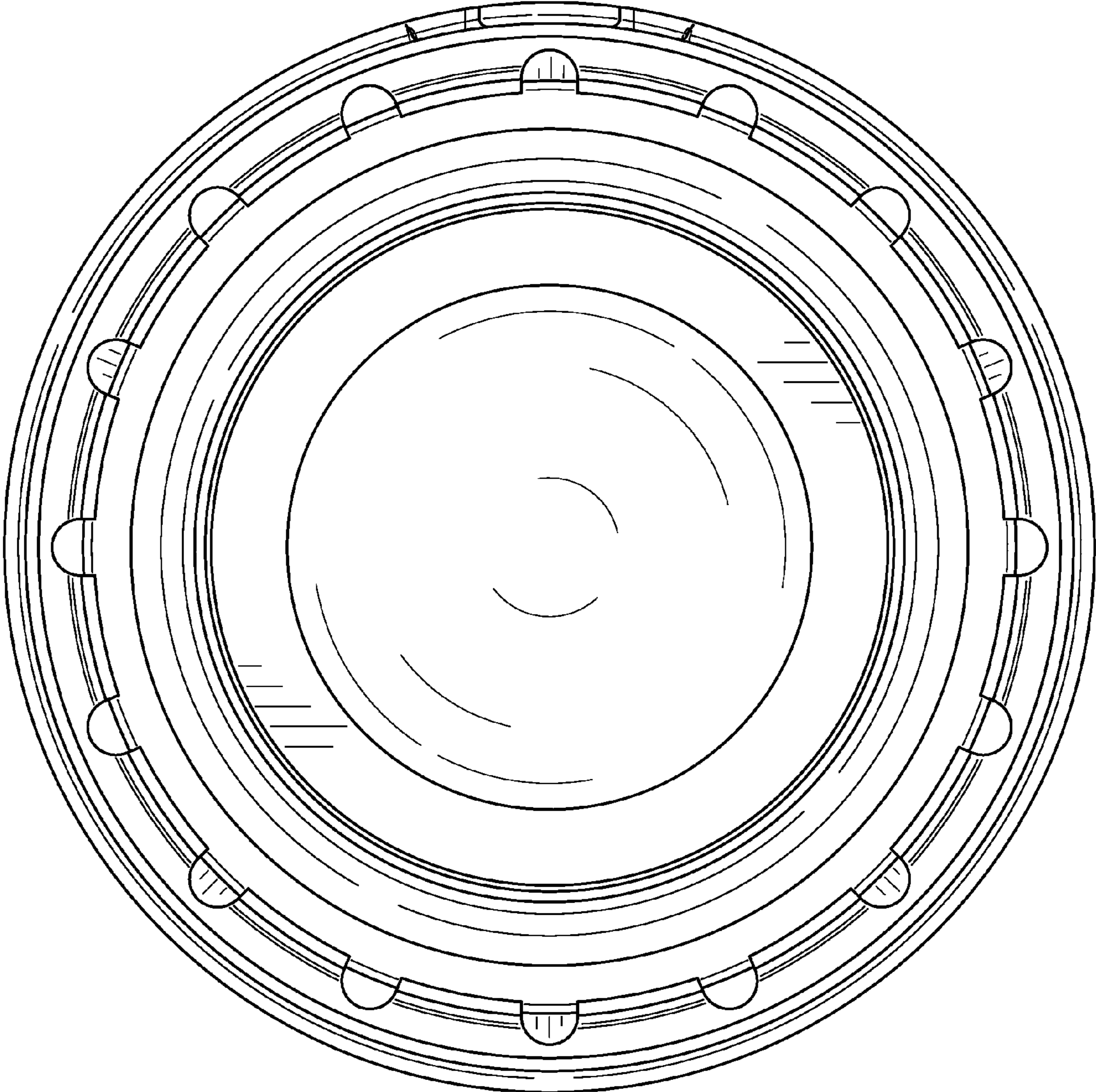


FIG. 3

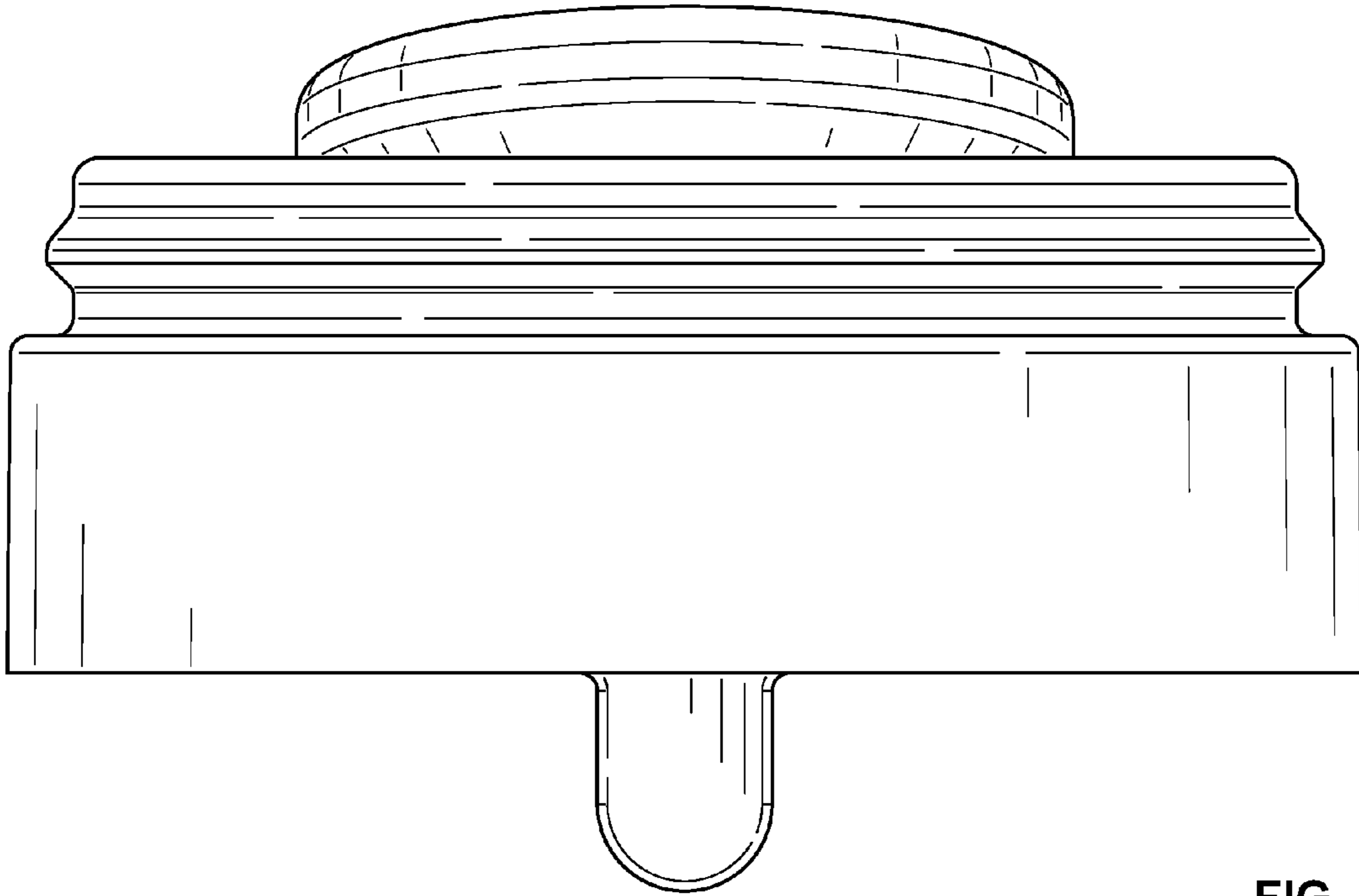


FIG. 4

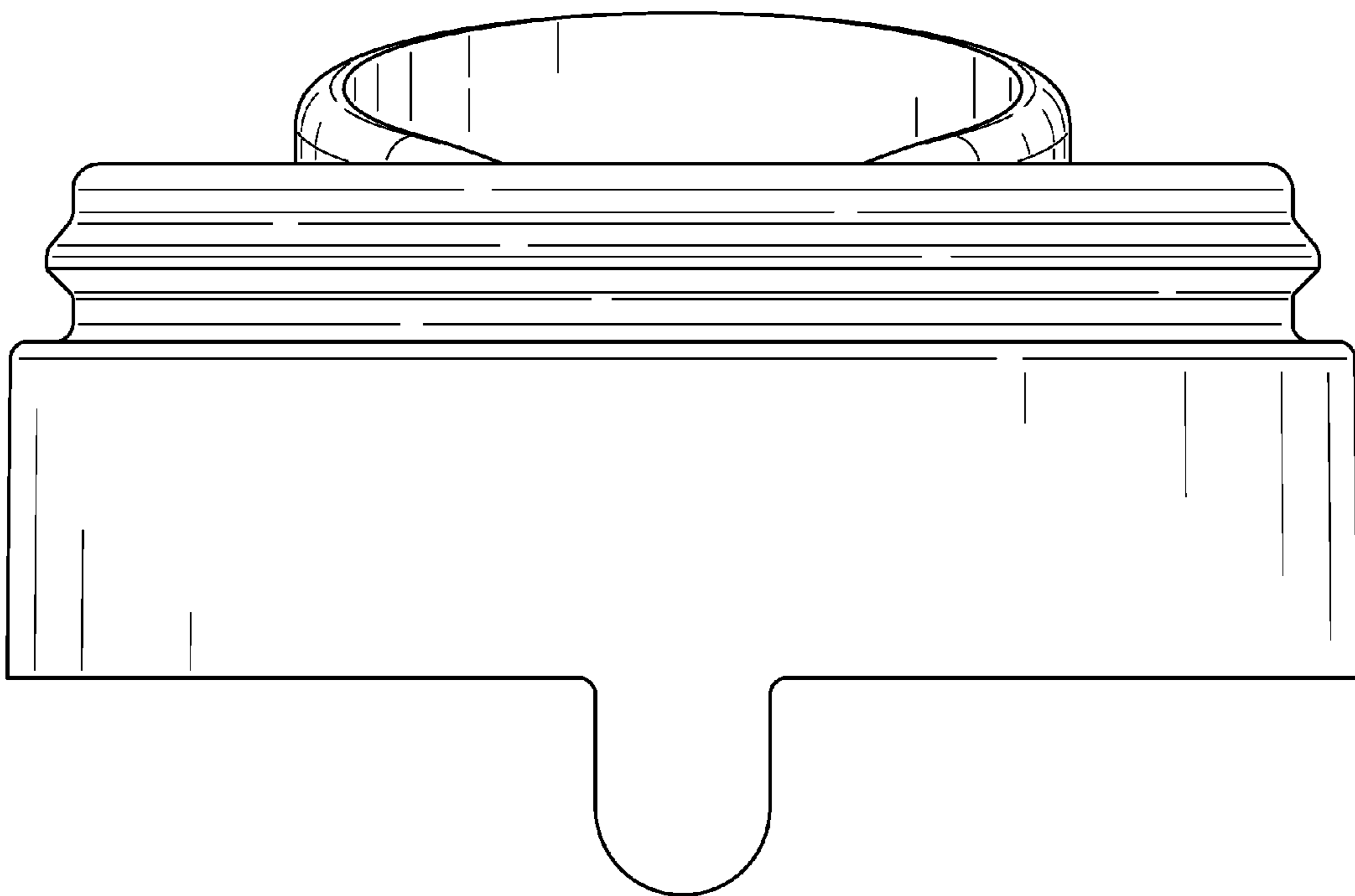


FIG. 5

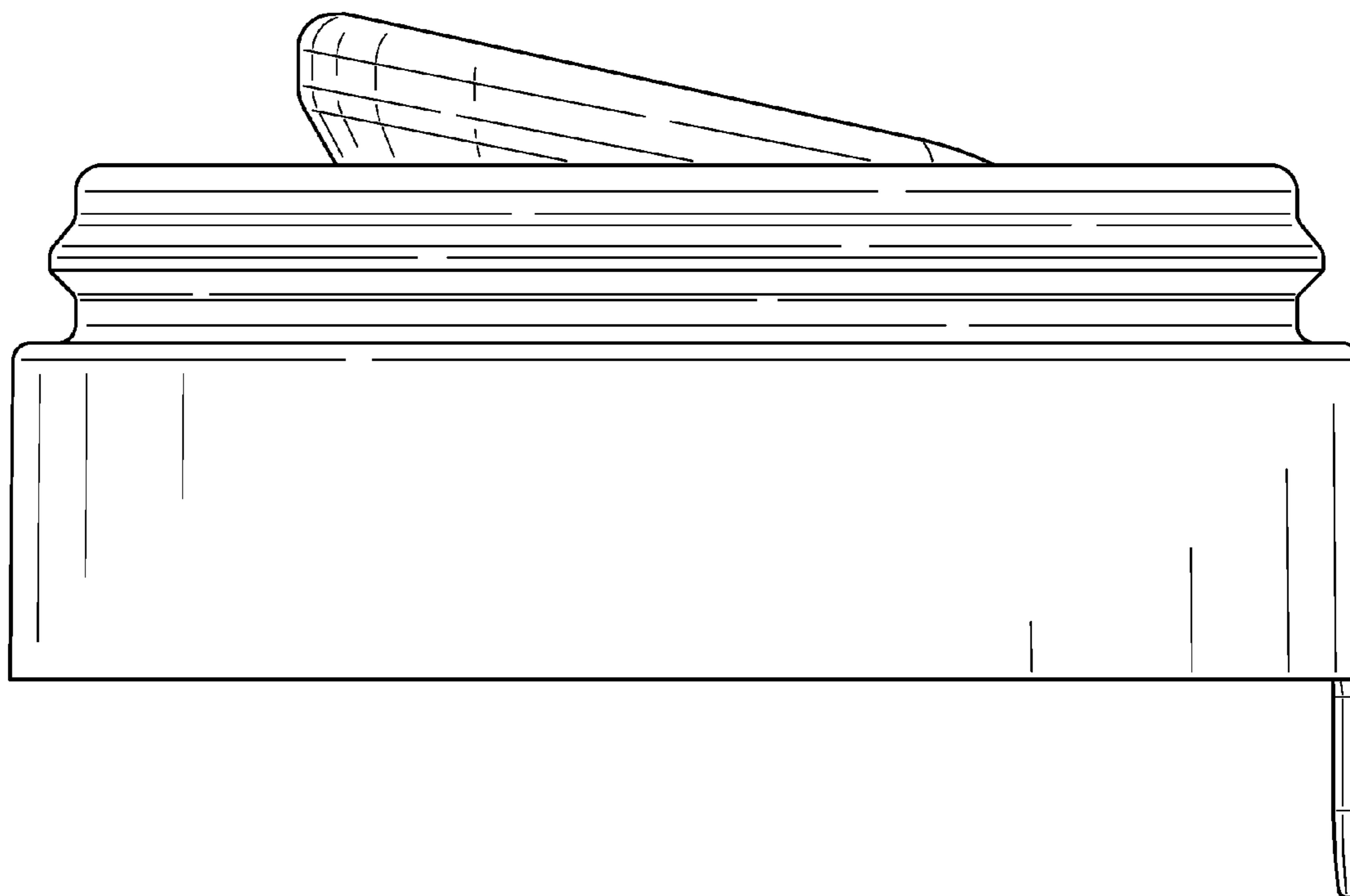


FIG. 6

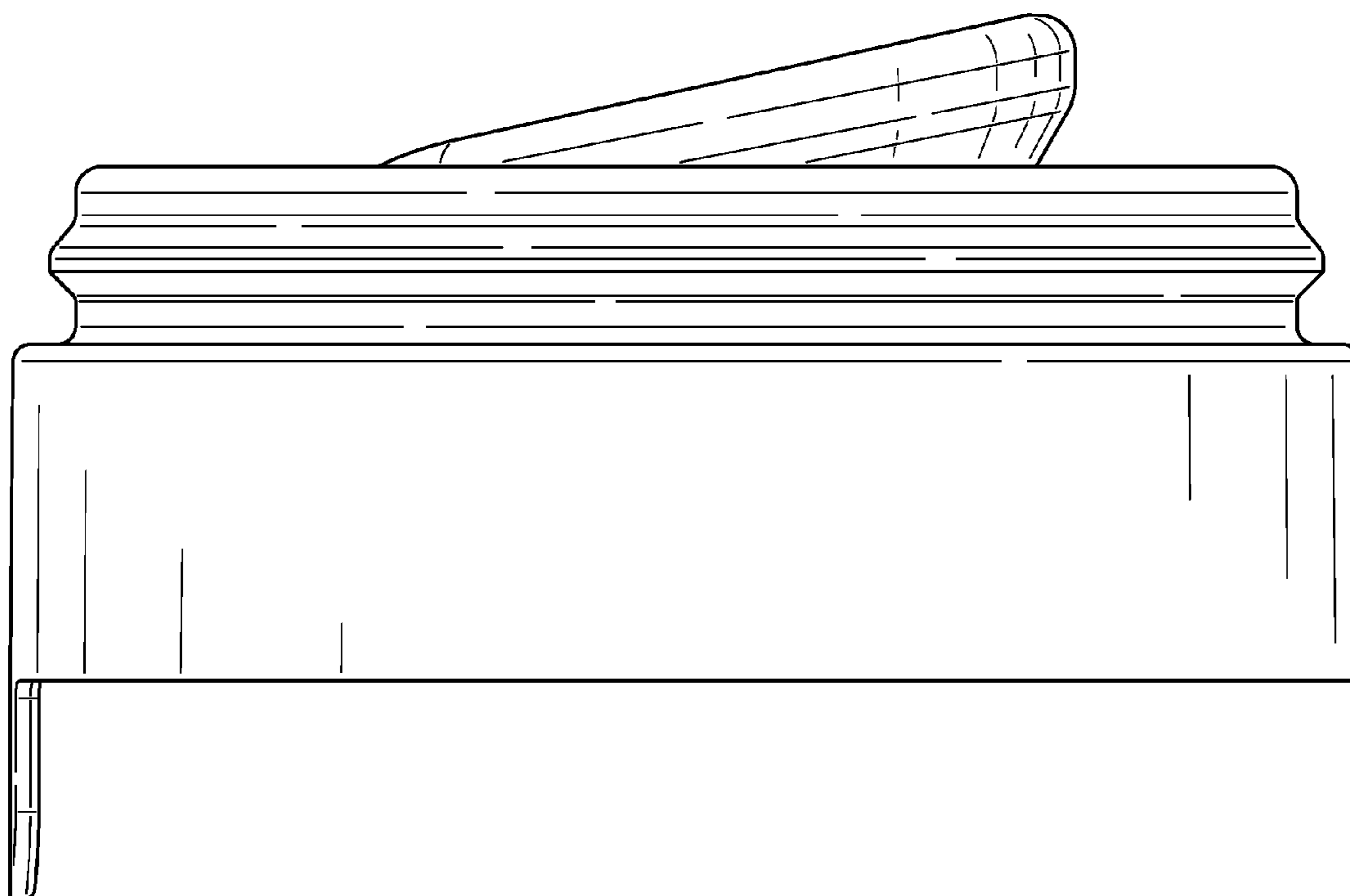


FIG. 7

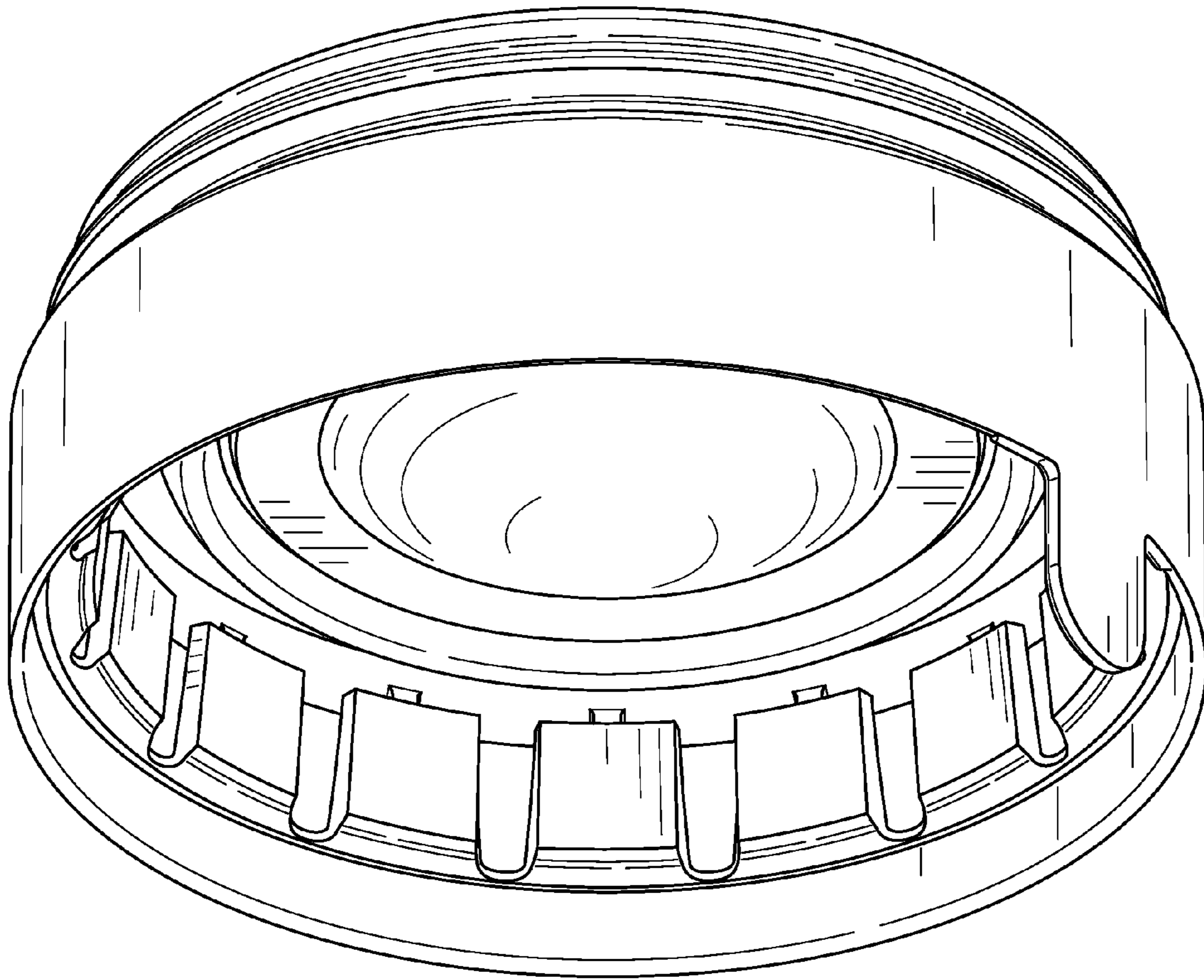


FIG. 8

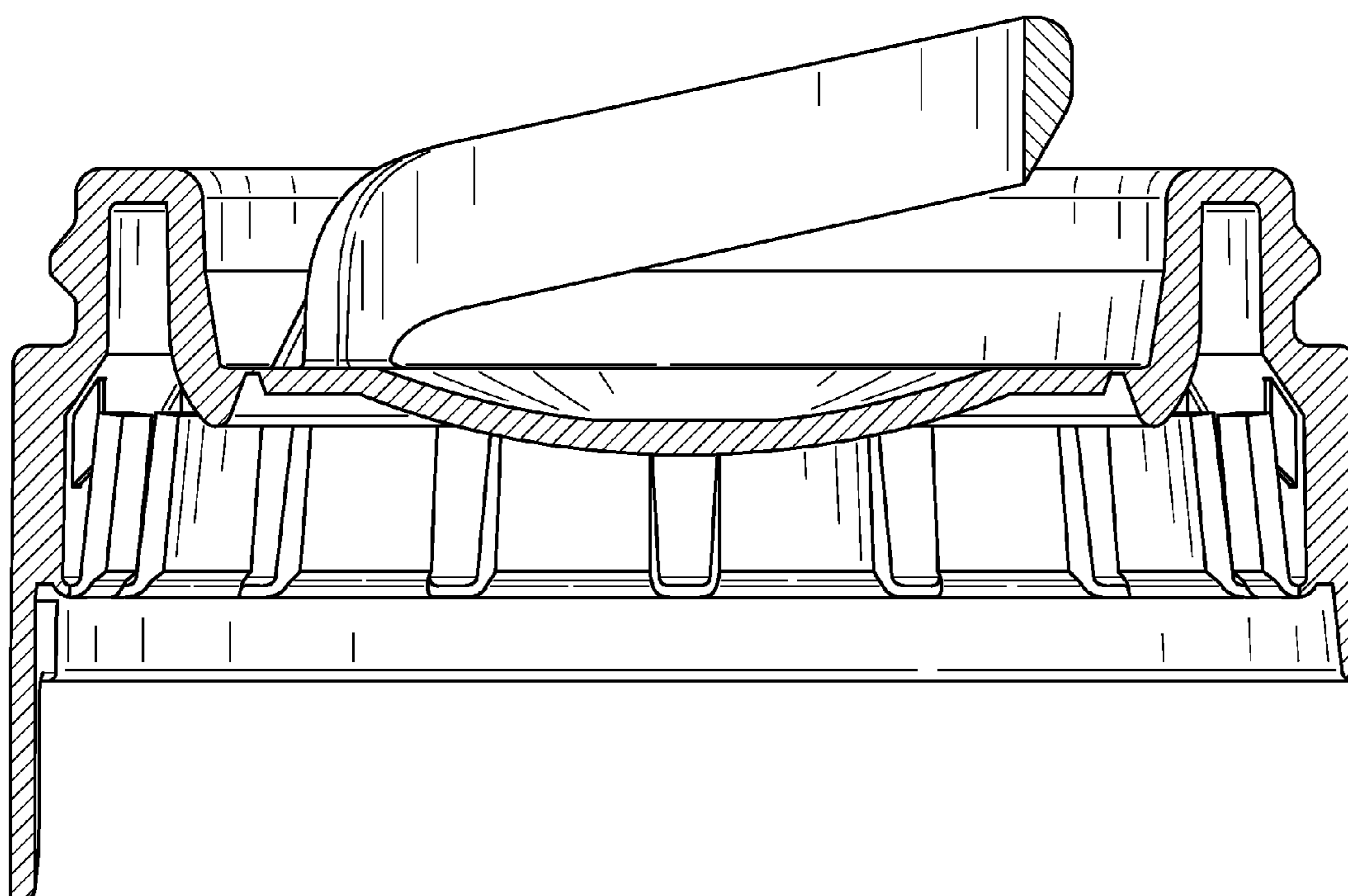


FIG. 9