



US00D636668S

(12) **United States Design Patent**
Maddy

(10) **Patent No.:** **US D636,668 S**

(45) **Date of Patent:** **** Apr. 26, 2011**

(54) **DIP TUBES**

FOREIGN PATENT DOCUMENTS

(75) Inventor: **Tim Maddy**, Dallas, TX (US)

EP 1 317 964 6/2003
(Continued)

(73) Assignee: **Mary Kay Inc.**, Dallas, TX (US)

OTHER PUBLICATIONS

(**) Term: **14 Years**

“Aerosols for apprentices; cosmetics manufacturing,” *Cosmetics and Toiletries*, 111(5):35, 1996.

(21) Appl. No.: **29/305,581**

(Continued)

(22) Filed: **Mar. 24, 2008**

Primary Examiner — T. Chase Nelson

(51) **LOC (9) Cl.** **09-07**

Assistant Examiner — Eric L Goodman

(52) **U.S. Cl.** **D9/434**

(74) *Attorney, Agent, or Firm* — Fulbright & Jaworski L.L.P.

(58) **Field of Classification Search** D9/434,
D9/439, 448; 222/376, 382, 321.9, 402.19,
222/321.4, 464.3

(57) **CLAIM**

The ornamental designs for dip tubes, as shown and described.

See application file for complete search history.

DESCRIPTION

(56) **References Cited**

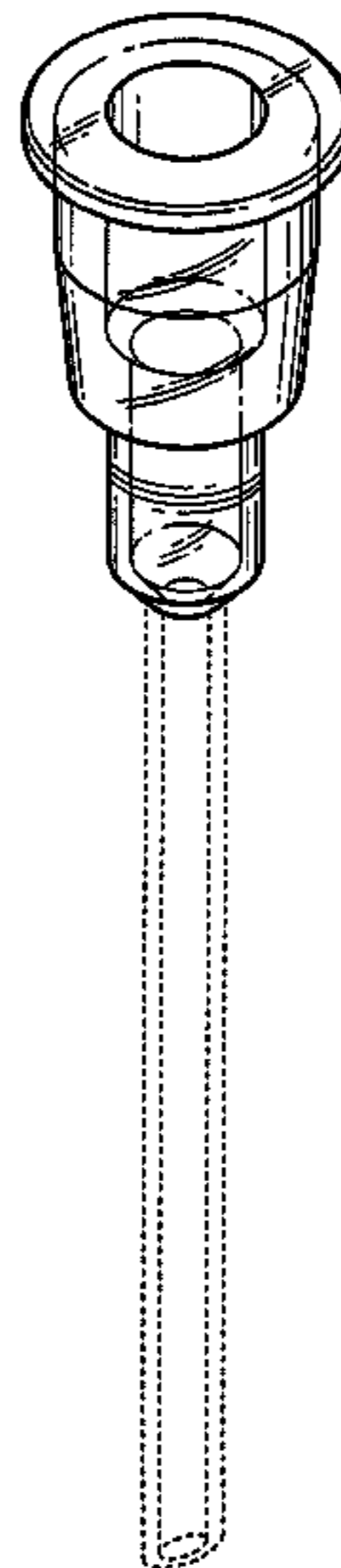
U.S. PATENT DOCUMENTS

D196,393 S	9/1963	Sanders, Jr. et al.	D9/448
3,254,803 A	6/1966	Meshberg	222/182
3,276,641 A	10/1966	Lehmann	222/526
3,325,054 A	6/1967	Braun	222/39
3,422,996 A	1/1969	Lipman	222/402.11
3,474,939 A	10/1969	O'Donnell et al.	222/320
3,484,023 A	12/1969	Meshberg	222/402.11
3,591,128 A	7/1971	Ramis	251/100
3,598,290 A	8/1971	Steiman	222/94
3,603,454 A	9/1971	Raaf	206/47
3,613,960 A	10/1971	Beard	222/330
3,622,052 A	11/1971	Gach	222/402.11
3,658,215 A	4/1972	Ewald	222/402.18
3,705,668 A	12/1972	Schwartzman	222/211
3,707,875 A	1/1973	Freeman	73/423
3,722,750 A	3/1973	Fox, Jr.	222/136
3,724,723 A	4/1973	Slavinski	222/110
3,729,119 A	4/1973	Sette et al.	222/153.11
3,797,705 A	3/1974	Cooprider	222/153.13
3,848,778 A	11/1974	Meshberg	222/402.11
3,851,799 A	12/1974	Paoletti	222/145

(Continued)

FIG. 1 is a top perspective view of a first embodiment of my design;
 FIG. 2 is a bottom perspective view of the first embodiment;
 FIG. 3 is a side view of the first embodiment, the first embodiment being symmetrical about its axis;
 FIG. 4 is a top view of the first embodiment;
 FIG. 5 is a bottom view of the first embodiment;
 FIG. 6 is a top perspective view of a second embodiment of my design;
 FIG. 7 is a bottom perspective view of the second embodiment;
 FIG. 8 is a side view of the second embodiment, the second embodiment being symmetrical about its axis;
 FIG. 9 is a top view of the second embodiment; and,
 FIG. 10 is a bottom view of the second embodiment.
 The dashed lines in FIGS. 1, 2, 3, 6, 7, 8, and 9 represent environmental structure and form no part of the claimed designs. All other surface(s) or portion(s) of the embodiments of my designs not shown in the figures or otherwise described in the specification form no part of the claimed designs.

1 Claim, 4 Drawing Sheets



FOREIGN PATENT DOCUMENTS

EP	1 389 491	2/2004
GB	2391862	2/2004
JP	2004-067237	3/2004

“Discreet tube; Wrap up: the latest in packaging innovation,” *Global Cosmetic Industry*, 175(9):20(1), 2007.

OTHER PUBLICATIONS

“Compact pump; new products materials,” *Packaging Digest*, 42(2):60, 2005.

“Extraction diptubes; new products: equipment,” *Packaging Digest*, 43(5):69(1), 2006.

* cited by examiner

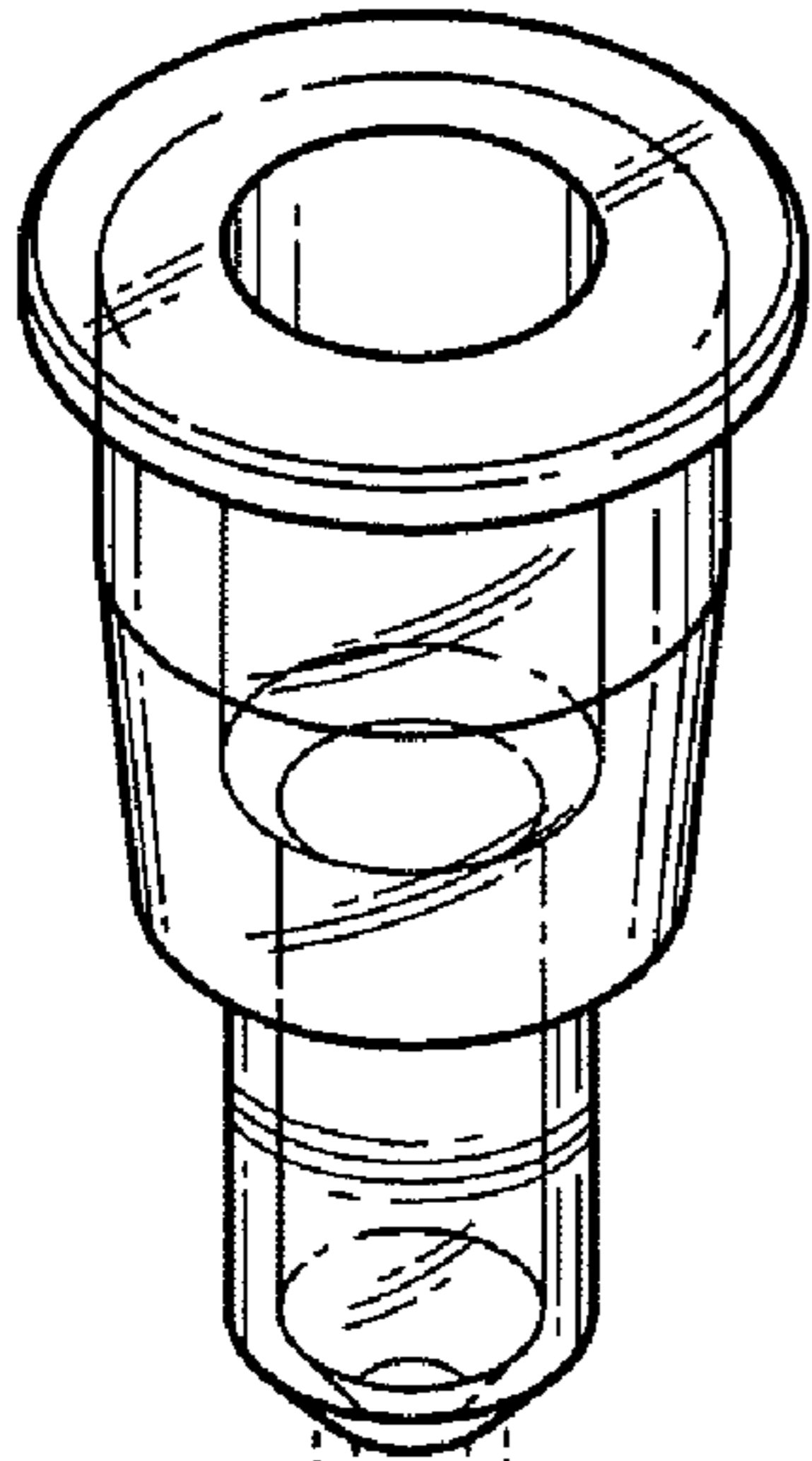


FIG. 1

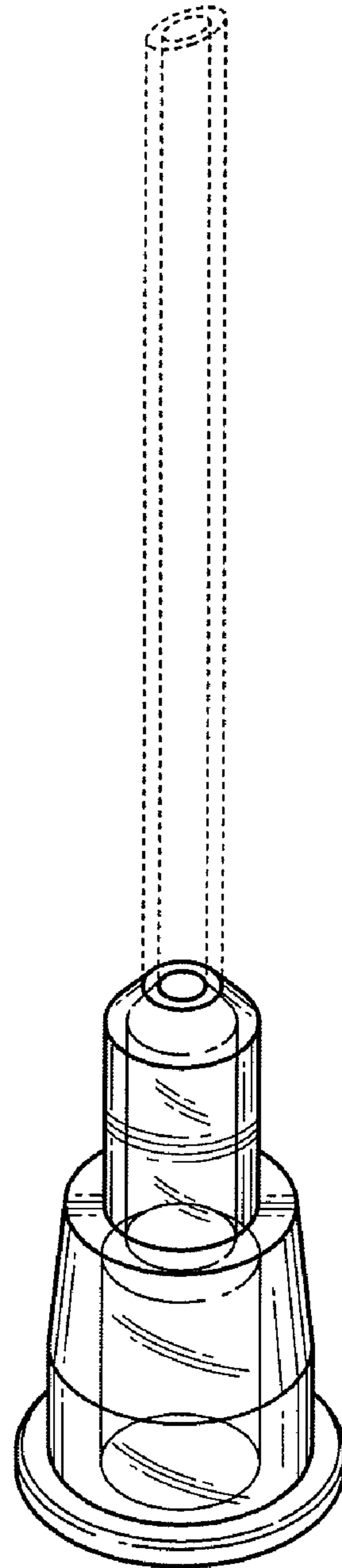


FIG. 2

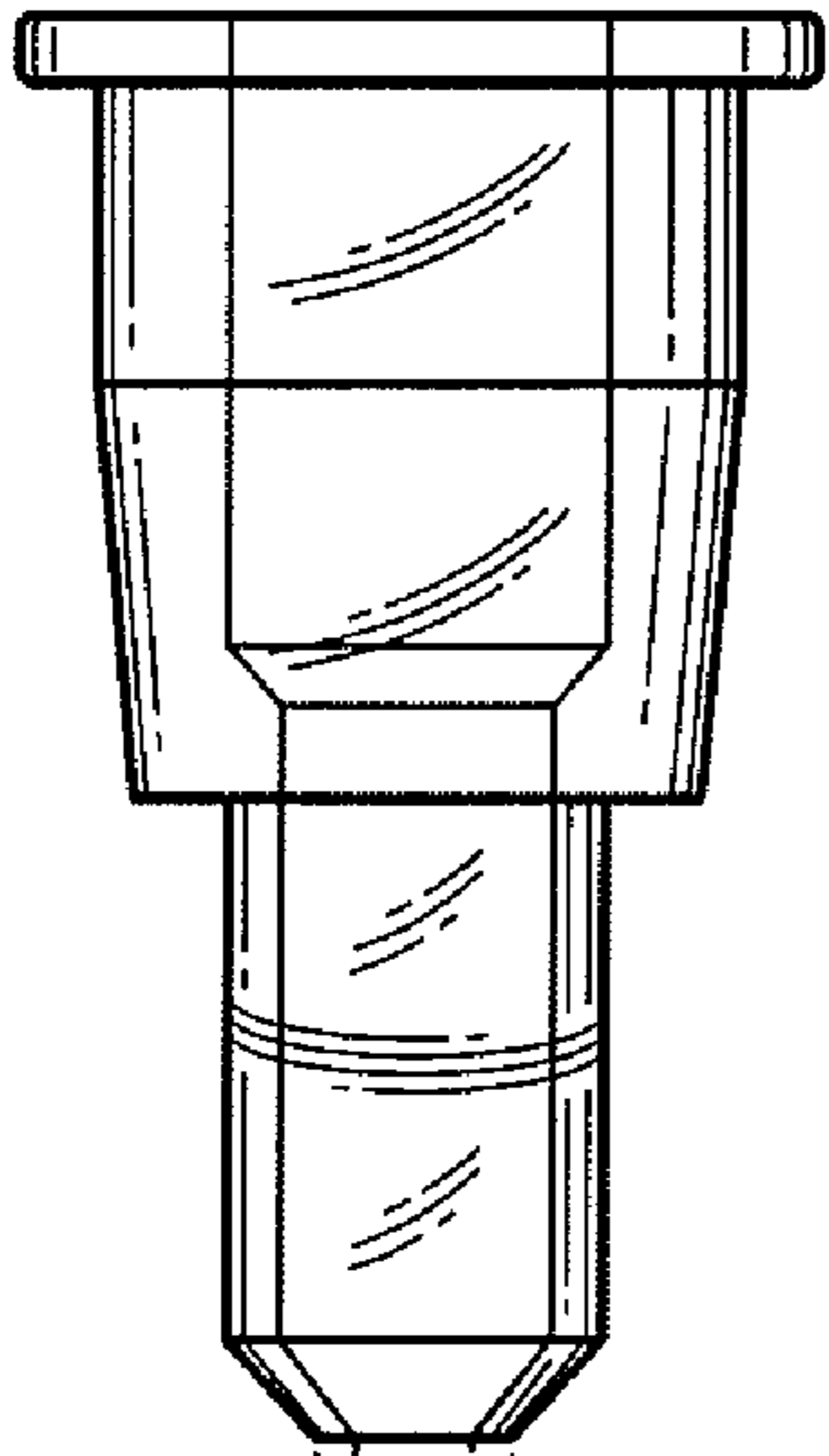


FIG. 3

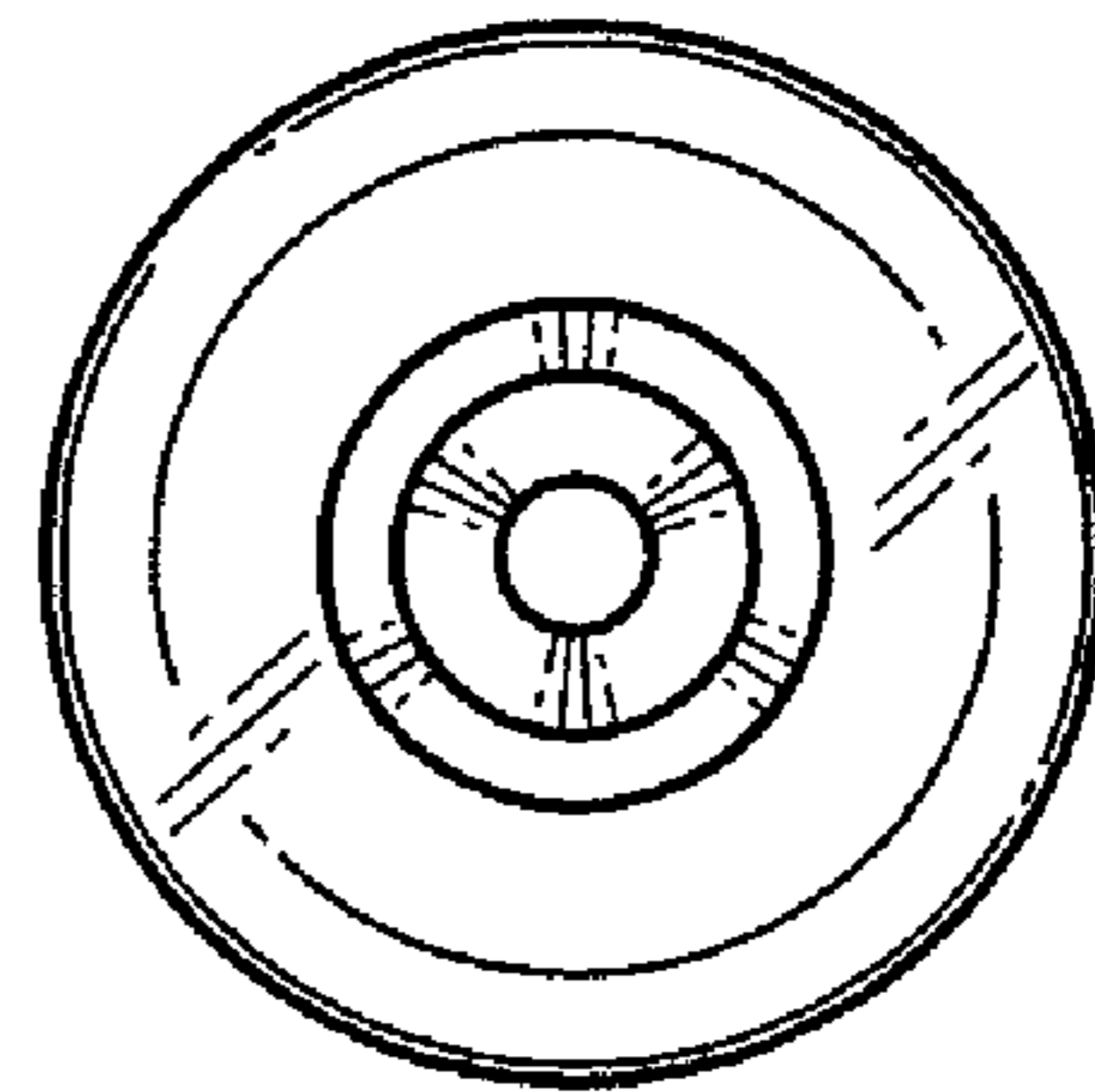


FIG. 4

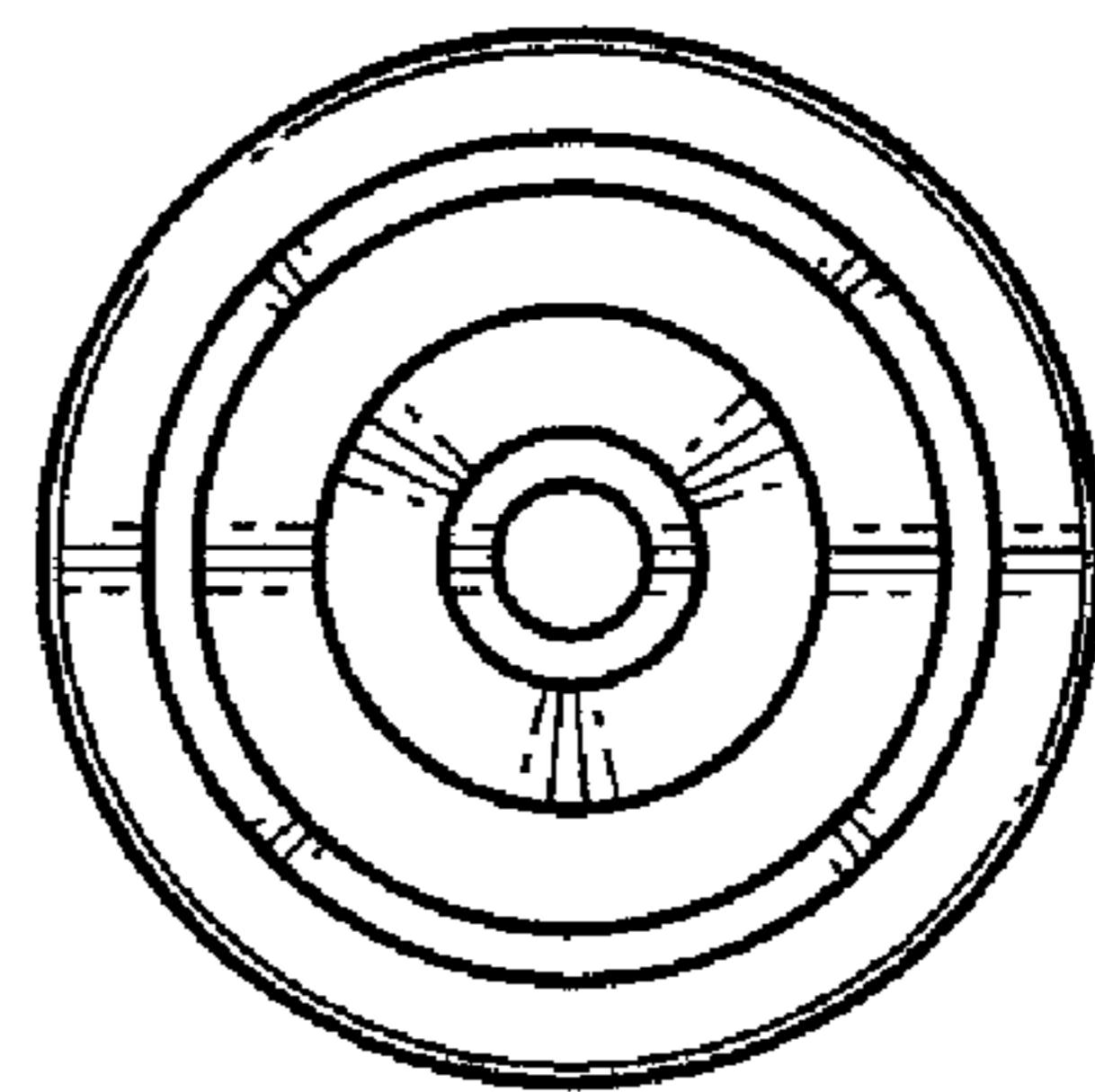


FIG. 5

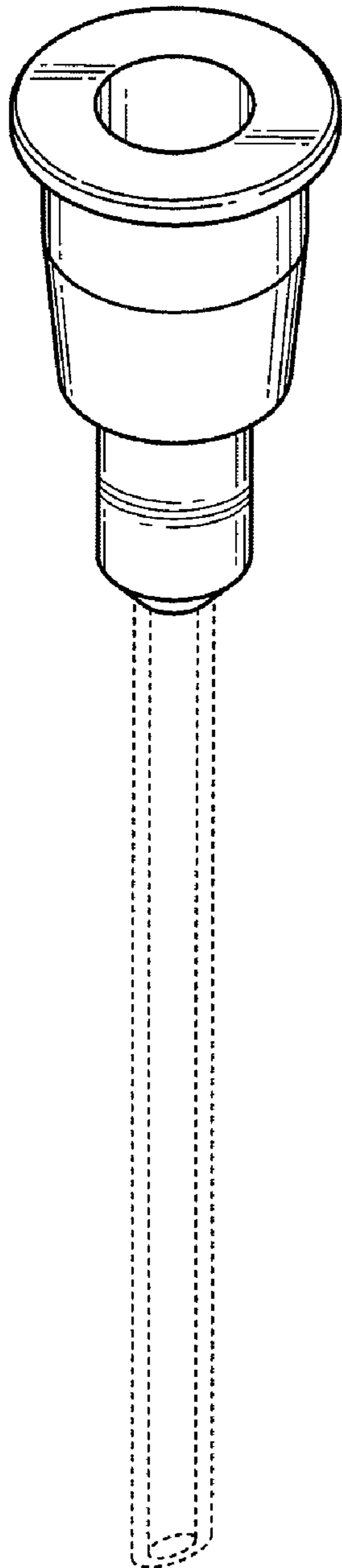


FIG. 6

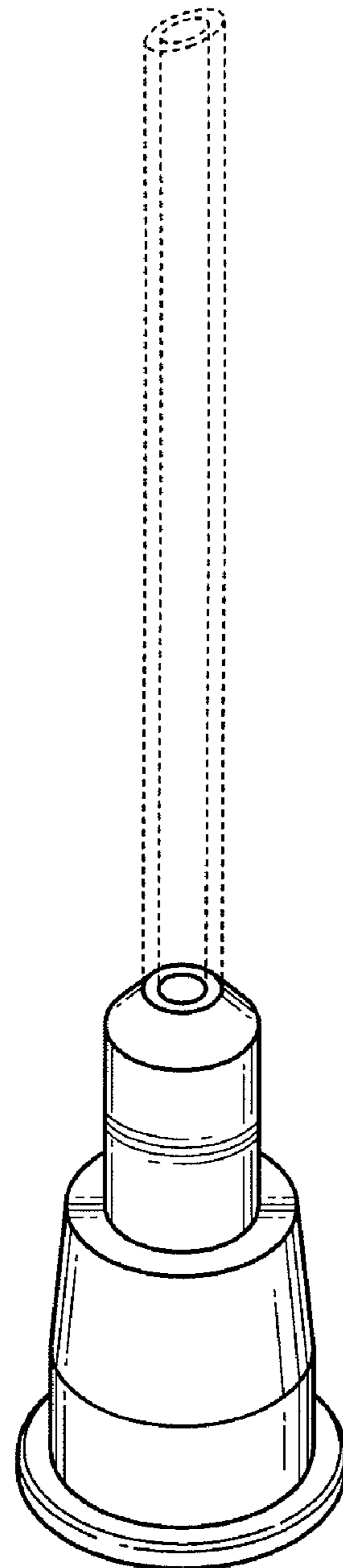


FIG. 7

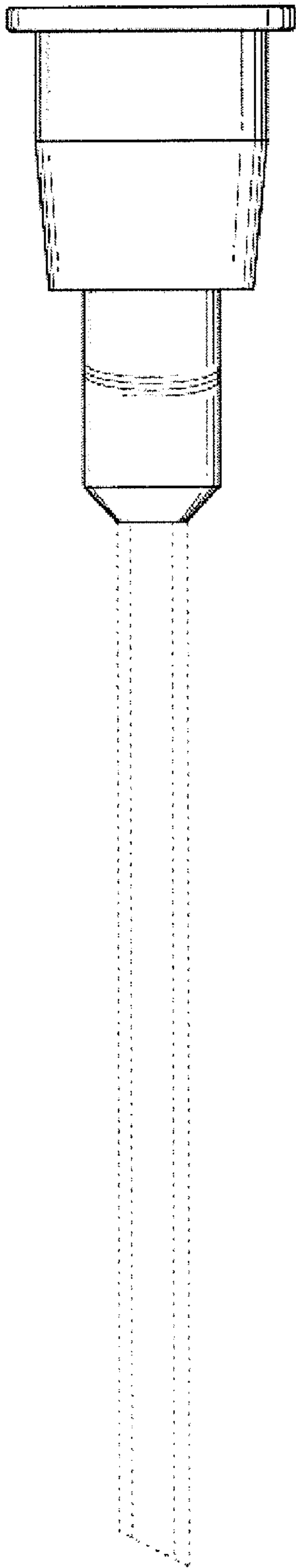


FIG. 8

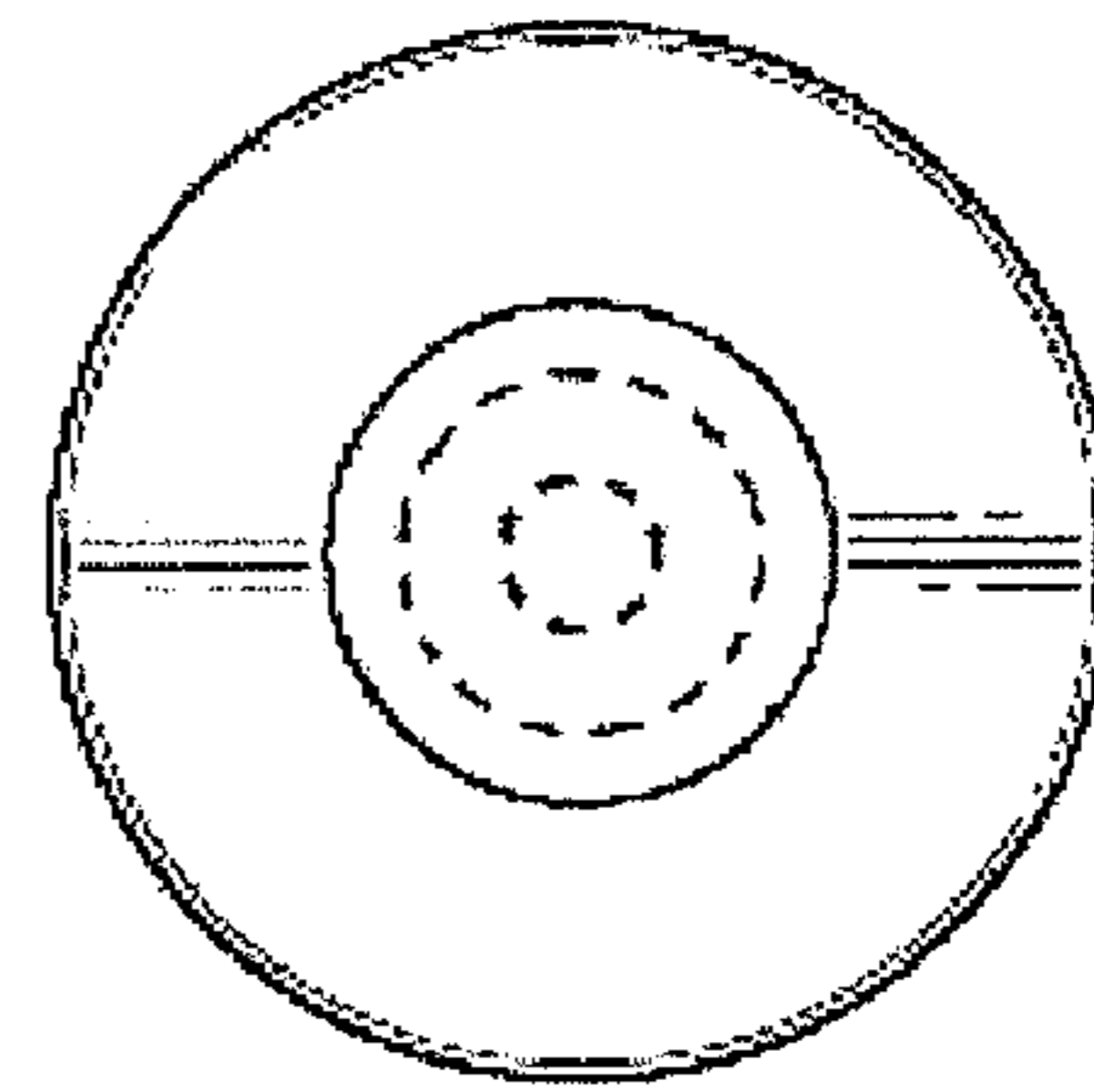


FIG. 9

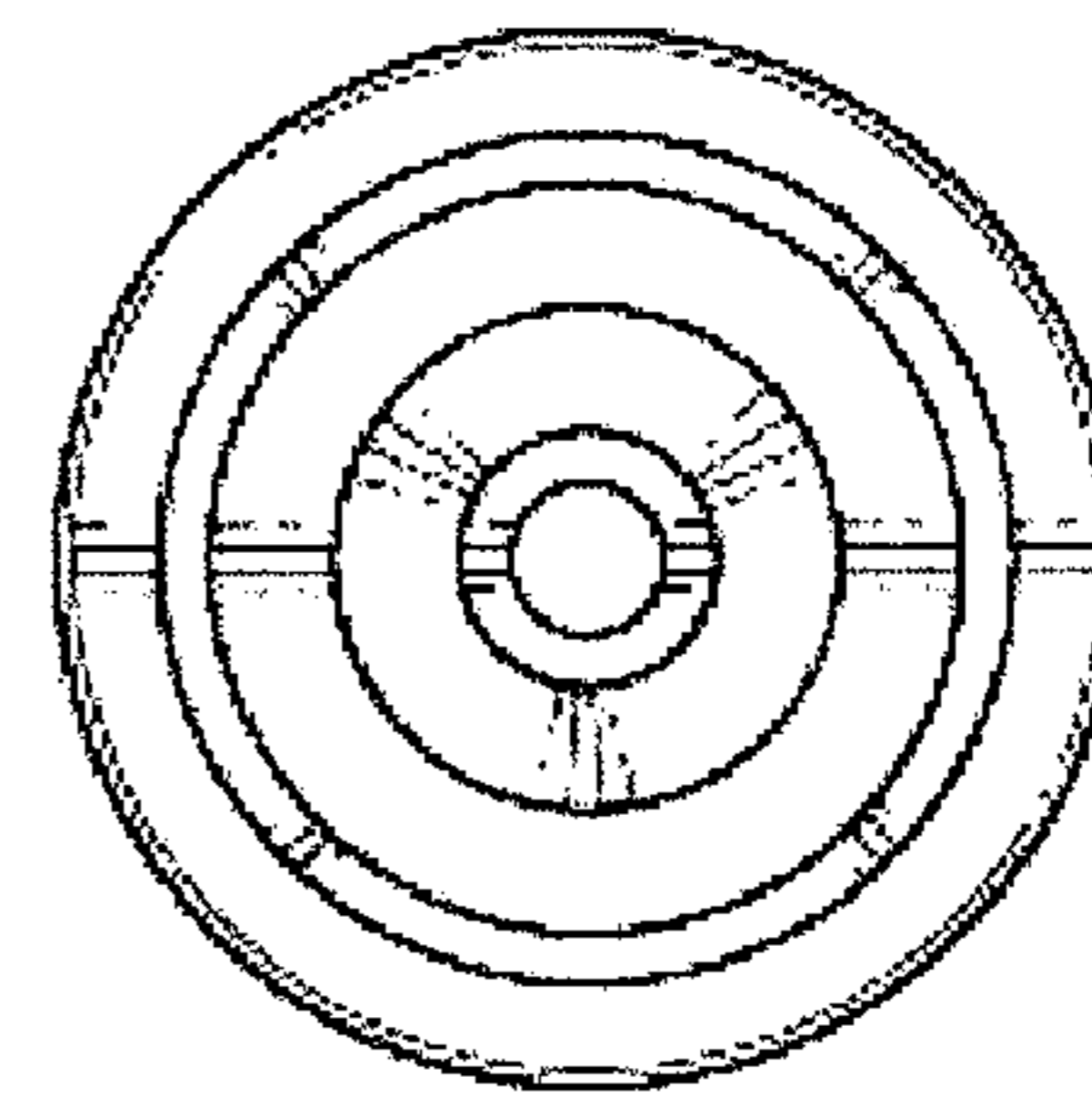


FIG. 10