



US00D636665S

(12) **United States Design Patent**
Mittelstaedt

(10) **Patent No.:** **US D636,665 S**

(45) **Date of Patent:** **** *Apr. 26, 2011**

(54) **STORAGE CONTAINER**

(76) Inventor: **Chris Mittelstaedt**, South San Francisco, CA (US)

(*) Notice: This patent is subject to a terminal disclaimer.

(**) Term: **14 Years**

(21) Appl. No.: **29/305,811**

(22) Filed: **Mar. 27, 2008**

(51) **LOC (9) Cl.** **09-03**

(52) **U.S. Cl.** **D9/432**

(58) **Field of Classification Search** D9/430-433, D9/414, 418, 420-423, 435, 560, 561; D3/201, D3/272, 273, 305; 206/278, 297, 299, 320, 206/339, 433, 769, 770, 775, 776, 781, 782, 206/822; 229/100, 103.3, 104-106, 107, 229/108, 108.1, 110, 111, 112, 115, 117.16, 229/120, 125.015, 120.32, 133.24, 122.29, 229/124, 160.1, 162.1, 162.6, 163, 182.1, 229/201, 406, 407, 902, 904, 906, 922, 930, 229/939, 942

See application file for complete search history.

2,758,778 A *	8/1956	Arneson	229/162.1
2,764,336 A *	9/1956	White	229/148
2,811,296 A *	10/1957	Long	229/117.16
3,064,877 A *	11/1962	Forrer et al.	229/150
3,124,295 A *	3/1964	Kauffeld	229/211
3,163,344 A *	12/1964	Tunick	229/120
3,193,095 A *	7/1965	Martino et al.	206/419
3,227,356 A *	1/1966	Eifrid	206/424
3,313,468 A *	4/1967	Ross	206/521
3,325,077 A *	6/1967	Becker et al.	383/119
3,352,474 A *	11/1967	Racer	229/149
3,497,907 A *	3/1970	Colina	16/257
3,543,995 A *	12/1970	Wilson	229/102
3,744,705 A *	7/1973	Kuhn et al.	229/148
3,866,745 A *	2/1975	Dlugopolski	206/784
3,924,801 A *	12/1975	Partain	229/168
3,951,329 A *	4/1976	Turner	229/125.32
3,994,432 A *	11/1976	Kirby, Jr.	229/117.13
4,291,830 A *	9/1981	Sorensen	229/143
D329,199 S *	9/1992	Corso	D9/432
5,395,044 A *	3/1995	Stout	229/117.13
5,857,570 A *	1/1999	Brown	206/427
D539,138 S *	3/2007	Mittelstaedt et al.	D9/432
2007/0138245 A1 *	6/2007	Mittelstaedt et al.	229/163

* cited by examiner

Primary Examiner — Robert M Spear

Assistant Examiner — Karen Acker

(74) *Attorney, Agent, or Firm* — Wiesner & Associates; Leland Wiesner

(56) **References Cited**

U.S. PATENT DOCUMENTS

1,480,377 A *	1/1924	Daly	229/122.23
1,491,574 A *	4/1924	Walter	229/125.17
1,497,704 A *	6/1924	Walter	229/122.26
1,559,834 A *	11/1925	Zalkind	229/104
1,565,765 A *	12/1925	Walter	229/122.26
1,703,399 A *	2/1929	Lange	229/122.26
1,897,826 A *	2/1933	Stokes	229/122.24
1,965,503 A *	7/1934	Lowman	206/167
2,133,590 A *	10/1938	Stopper	229/117.19
2,331,754 A *	10/1943	Wohlers	229/148
2,361,124 A *	10/1944	Ringholz	229/148
2,591,703 A *	4/1952	Keller	206/723
2,593,895 A *	4/1952	Kohl	47/73

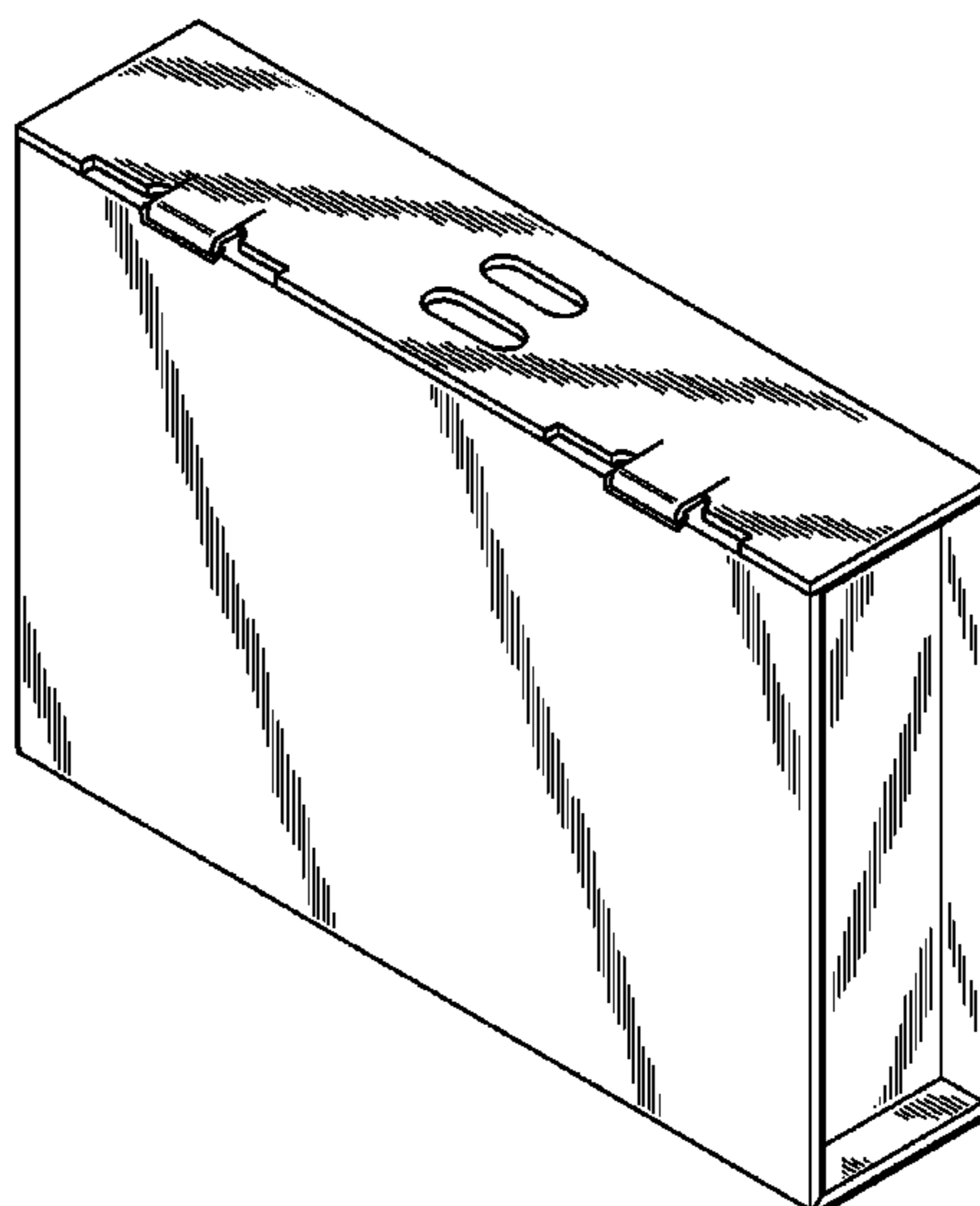
(57) **CLAIM**

What is claimed is an ornamental design for a storage container, as shown and described.

DESCRIPTION

FIG. 1 is a perspective view of a storage container showing the new design;
FIG. 2 is a first side view thereof;
FIG. 3 is a second side view thereof;
FIG. 4 is a third side view thereof;
FIG. 5 is a top view thereof; and,
FIG. 6 is a bottom view thereof.

1 Claim, 3 Drawing Sheets



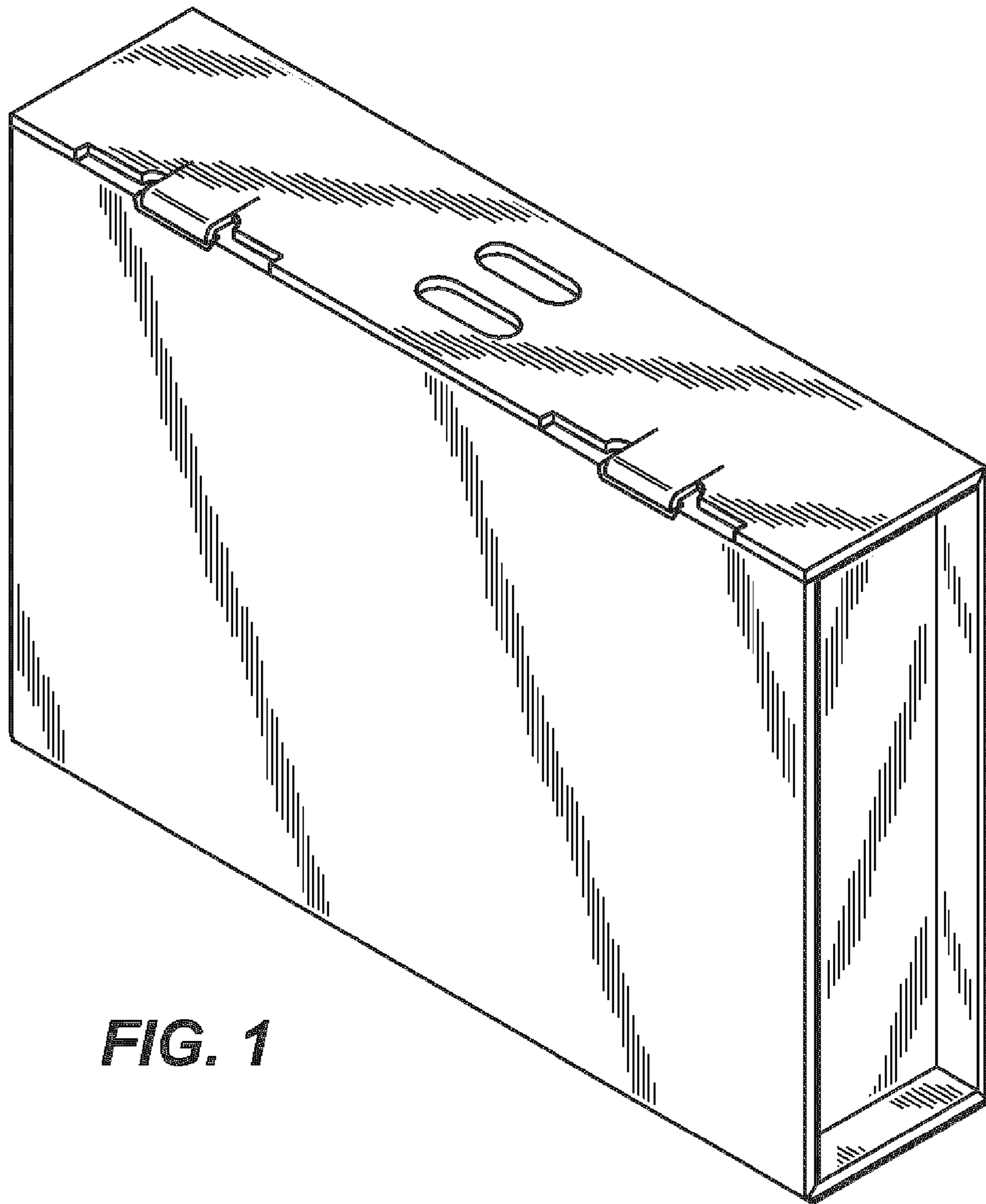


FIG. 1

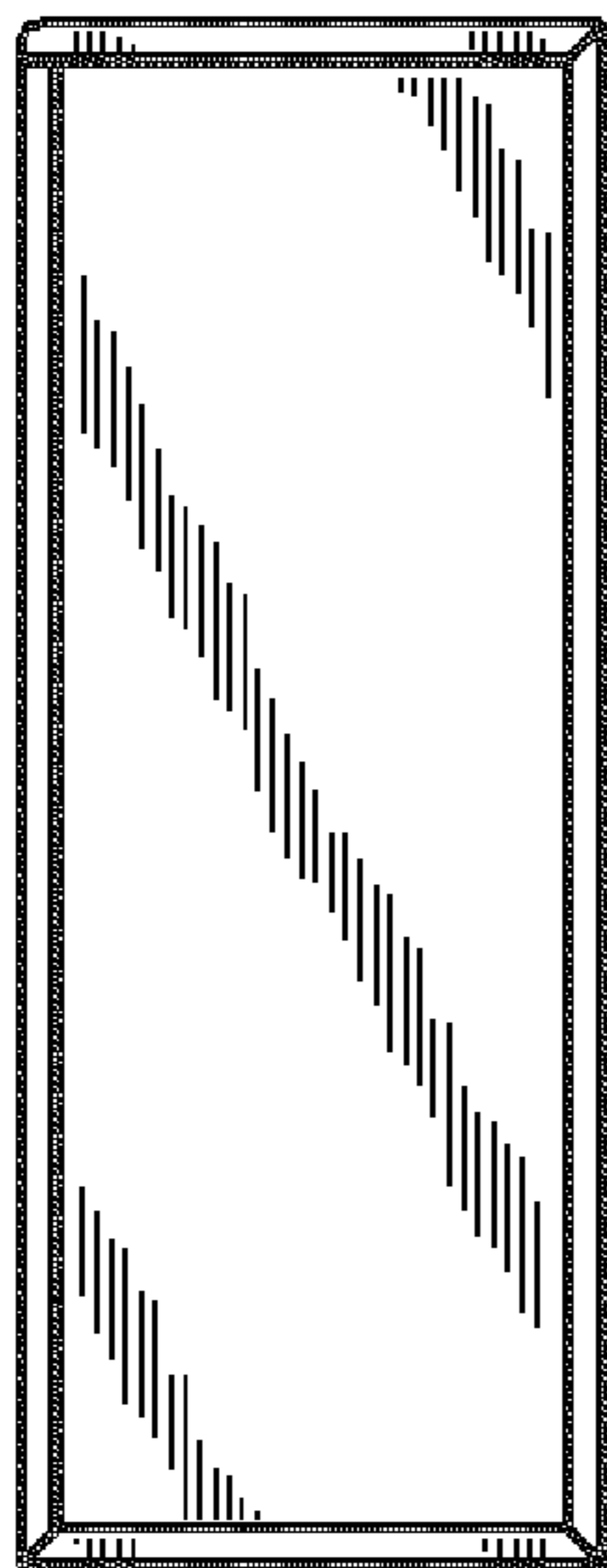


FIG. 3

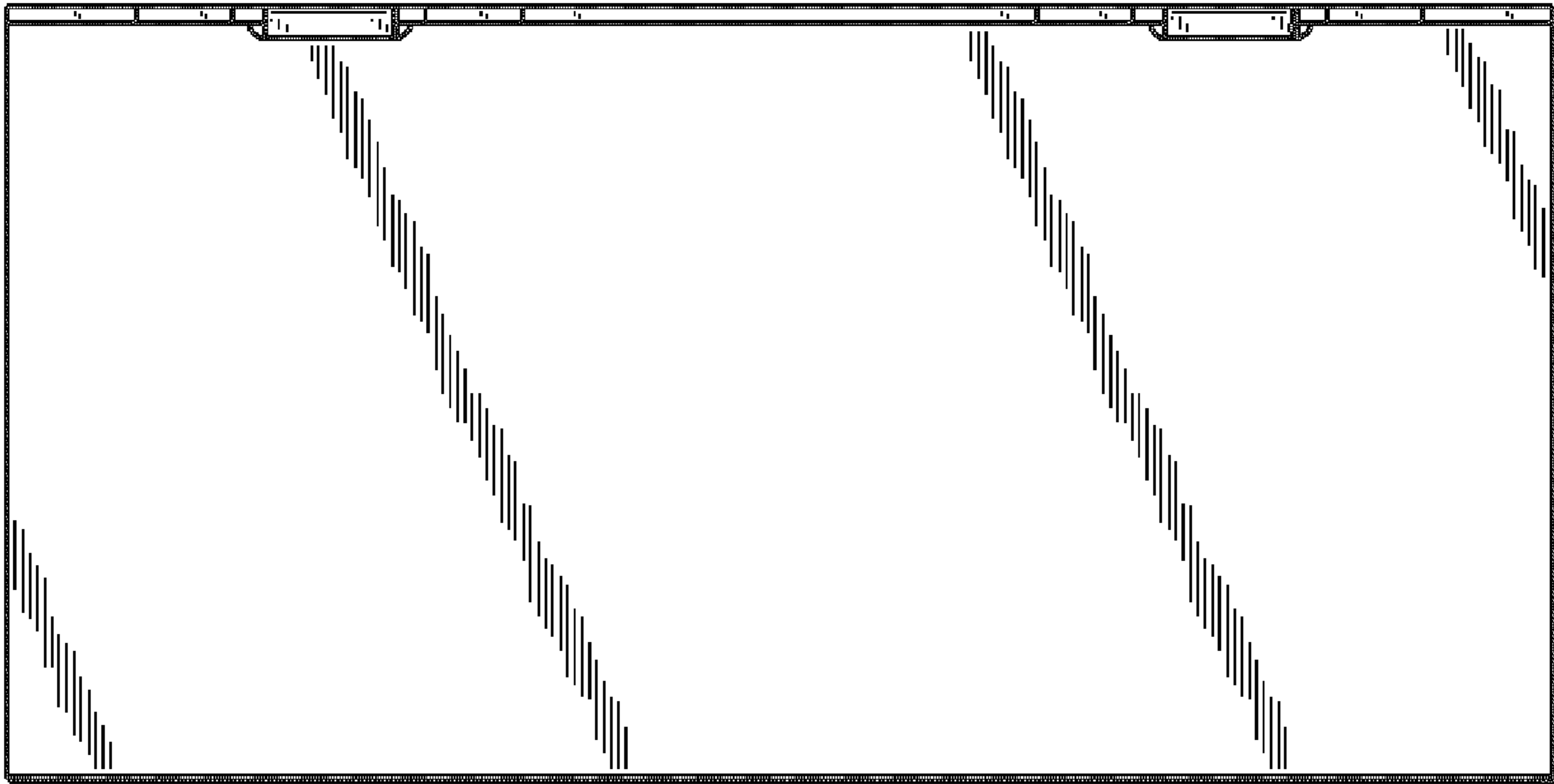


FIG. 2

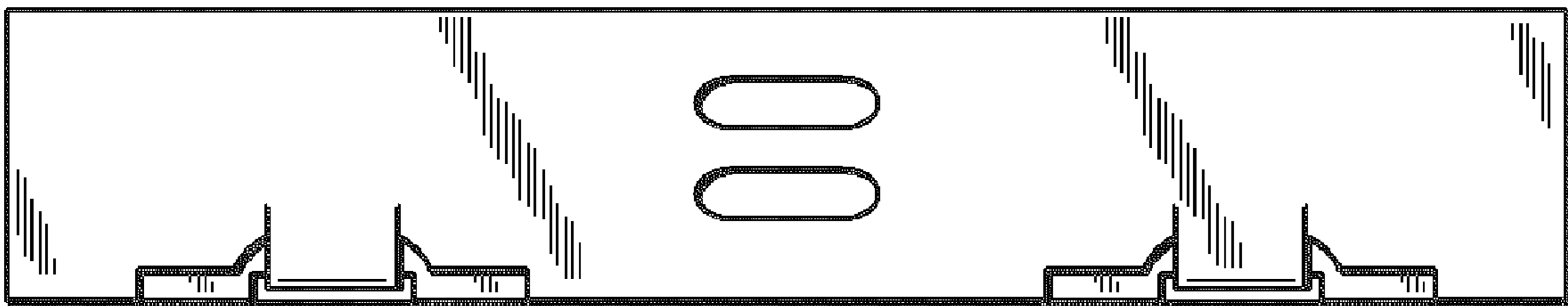


FIG. 5

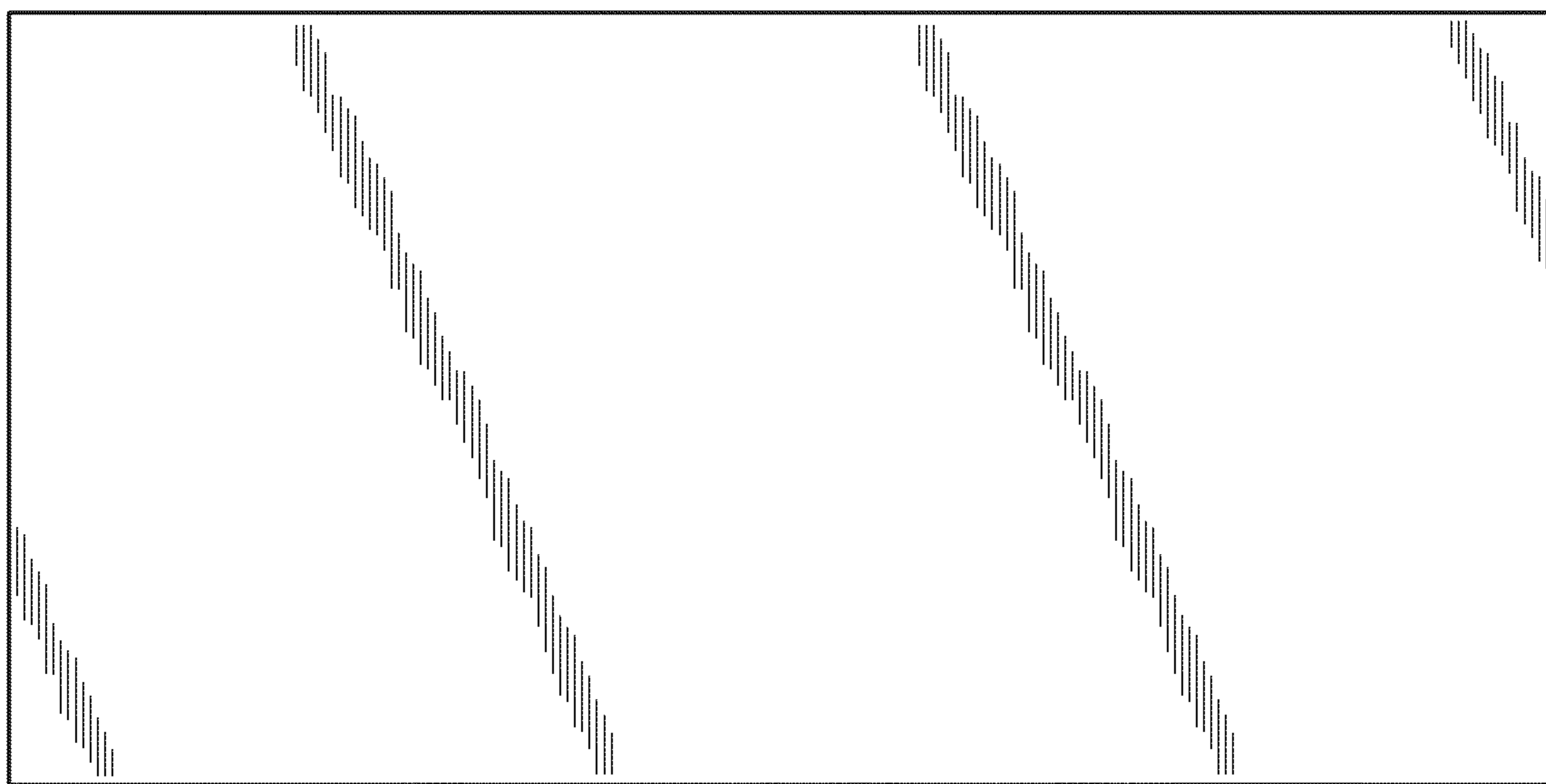


FIG. 4

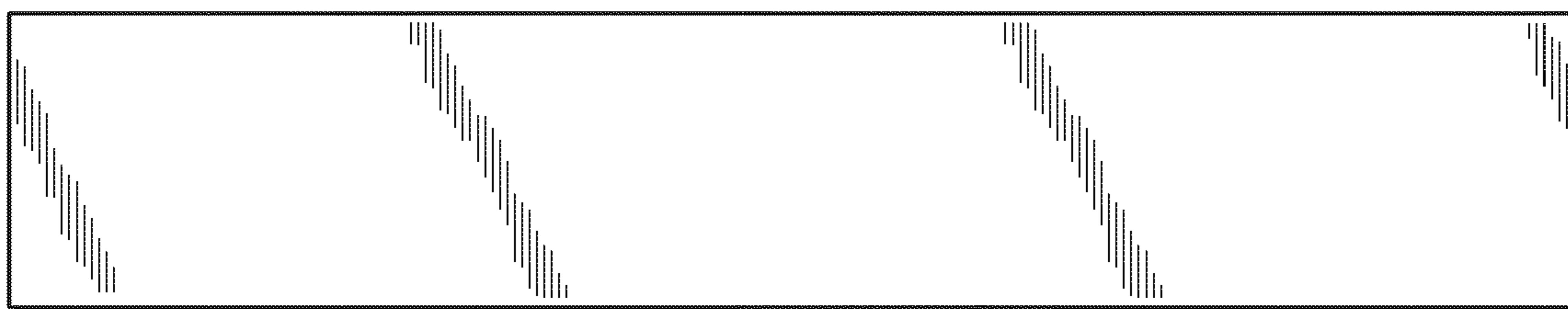


FIG. 6