



US00D636664S

(12) **United States Design Patent**
Neufeldt

(10) **Patent No.:** **US D636,664 S**
(45) **Date of Patent:** **** Apr. 26, 2011**

(54) **CONTAINER**

(75) **Inventor:** **Dennis Neufeldt, Lethbridge (CA)**

(73) **Assignee:** **Haul-All Equipment, Ltd, Alberta (CA)**

(**) **Term:** **14 Years**

(21) **Appl. No.:** **29/342,373**

(22) **Filed:** **Aug. 24, 2009**

(51) **LOC (9) Cl.** **09-03**

(52) **U.S. Cl.** **D9/431**

(58) **Field of Classification Search** D9/430-433,
D9/414, 418, 420-423, 434; D11/221; 206/278,
206/297, 299, 457, 770, 737, 810, 822; 229/100,
229/101, 101.3, 106, 108, 108.1, 116.1, 116.3,
229/116.5, 121, 122, 201, 213, 221, 222,
229/227, 922, 939, 942, 87.08, 101.2, 193,
229/195, 197

See application file for complete search history.

(56) **References Cited**

U.S. PATENT DOCUMENTS

2,138,718 A * 11/1938 Wheeler 229/125.39
2,760,709 A * 8/1956 Bruehl et al. 229/114
2,883,042 A * 4/1959 Richer 206/279
2,923,455 A * 2/1960 Tingley 229/117.13
D433,942 S * 11/2000 Persson et al. D9/432

D454,494 S * 3/2002 Bryan et al. D9/430
D456,710 S * 5/2002 Persson D9/431
D519,833 S * 5/2006 Katsuyama D9/431
D525,121 S * 7/2006 Katsuyama D9/431
D526,572 S * 8/2006 Lemaire D9/661
D564,794 S * 3/2008 Ehresman D6/467
7,431,159 B2 * 10/2008 Lawrence et al. 206/454
2006/0191984 A1 * 8/2006 Hitosugi 229/112

FOREIGN PATENT DOCUMENTS

CA 52994 6/1984

* cited by examiner

Primary Examiner — T. Chase Nelson

Assistant Examiner — Karen Acker

(74) *Attorney, Agent, or Firm* — Grossman, Tucker,
Perreault & Pflieger, PLLC

(57) **CLAIM**

The ornamental design for a container, as shown and described.

DESCRIPTION

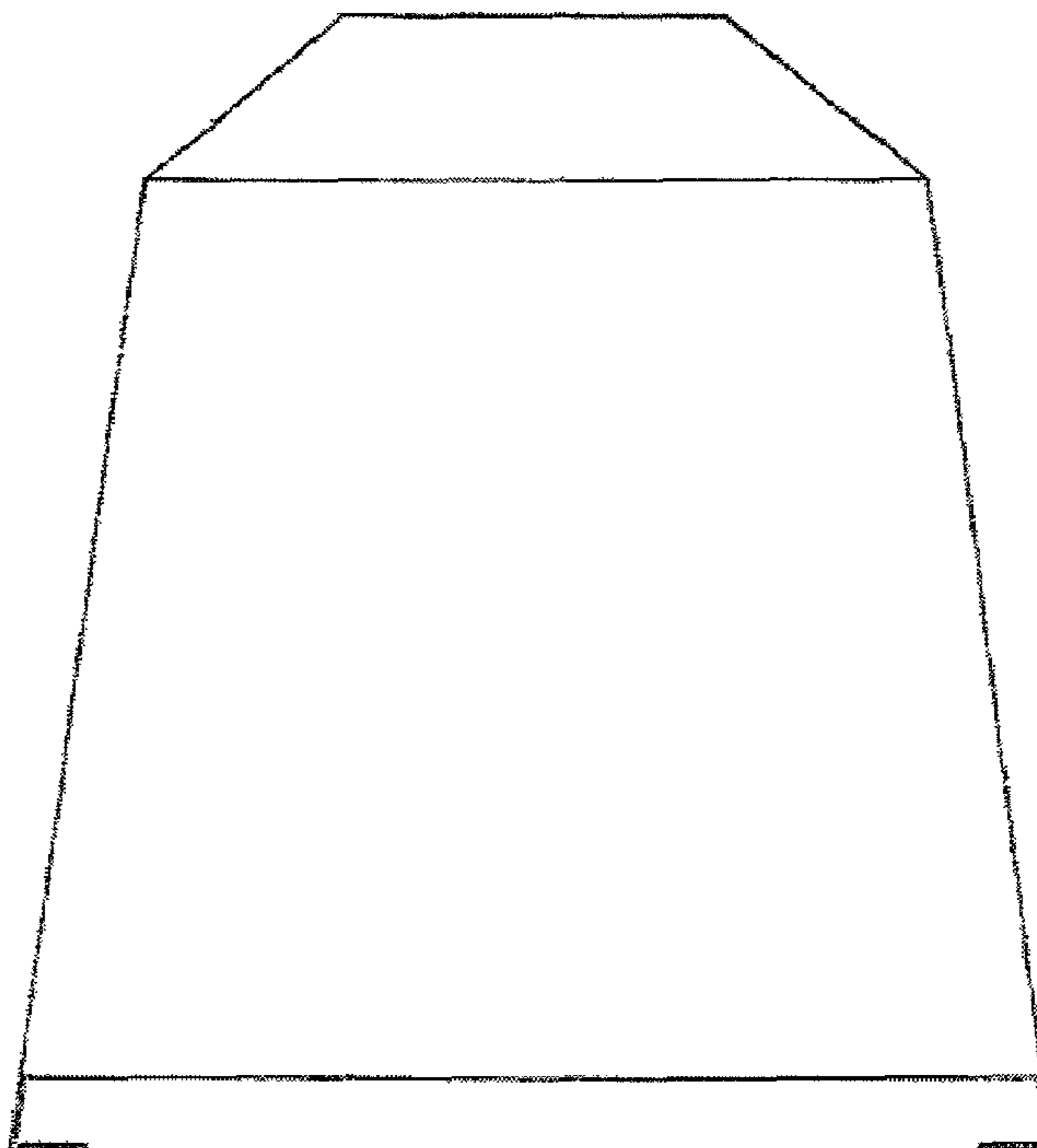
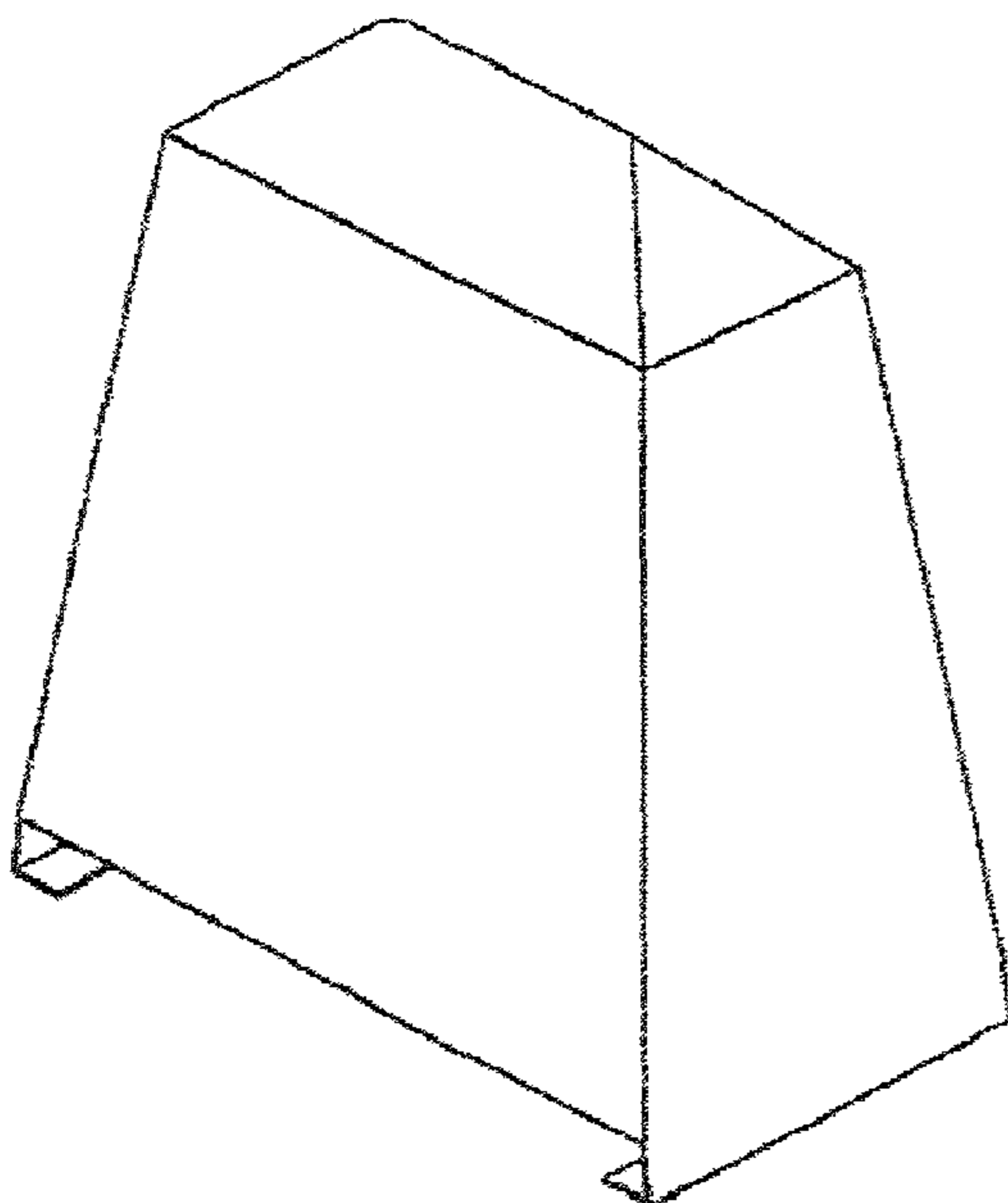
FIG. 1 is a perspective view of the container;
FIG. 2 is a left side view thereof, the right side view being identical;

FIG. 3 is a front view, the rear view being identical;

FIG. 4 is a top view thereof; and,

FIG. 5 is a bottom view thereof.

1 Claim, 2 Drawing Sheets



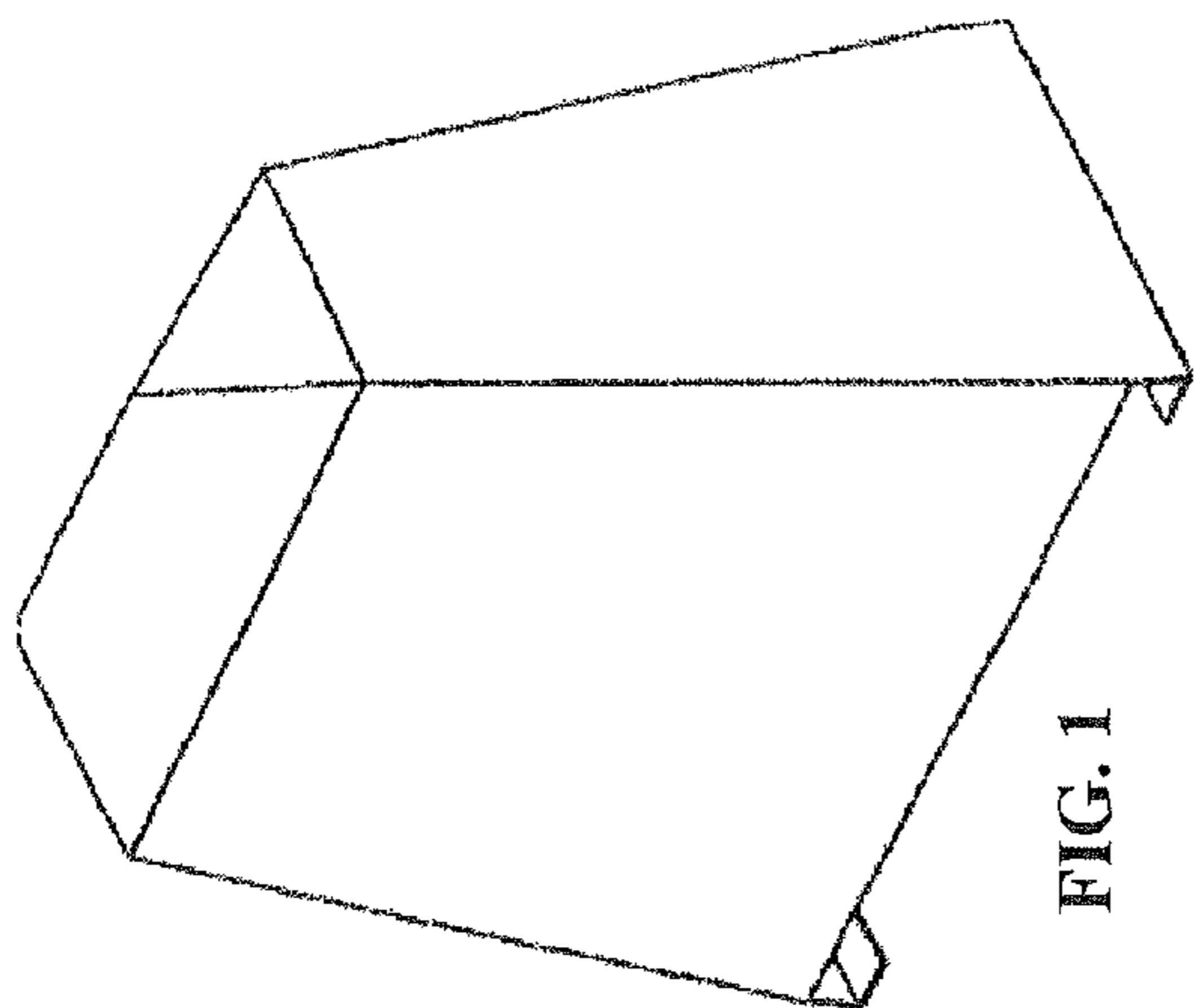


FIG. 1

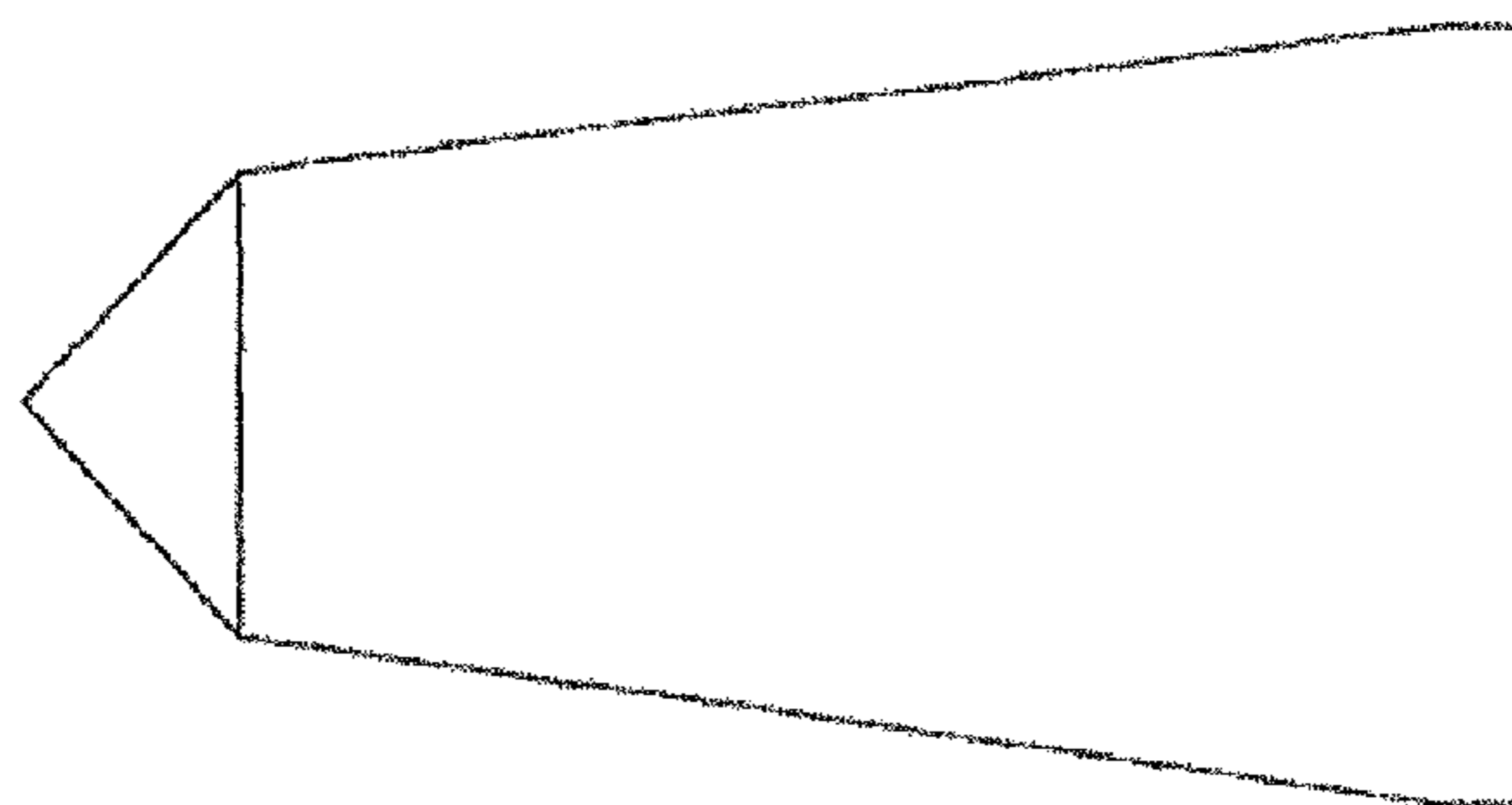


FIG. 2

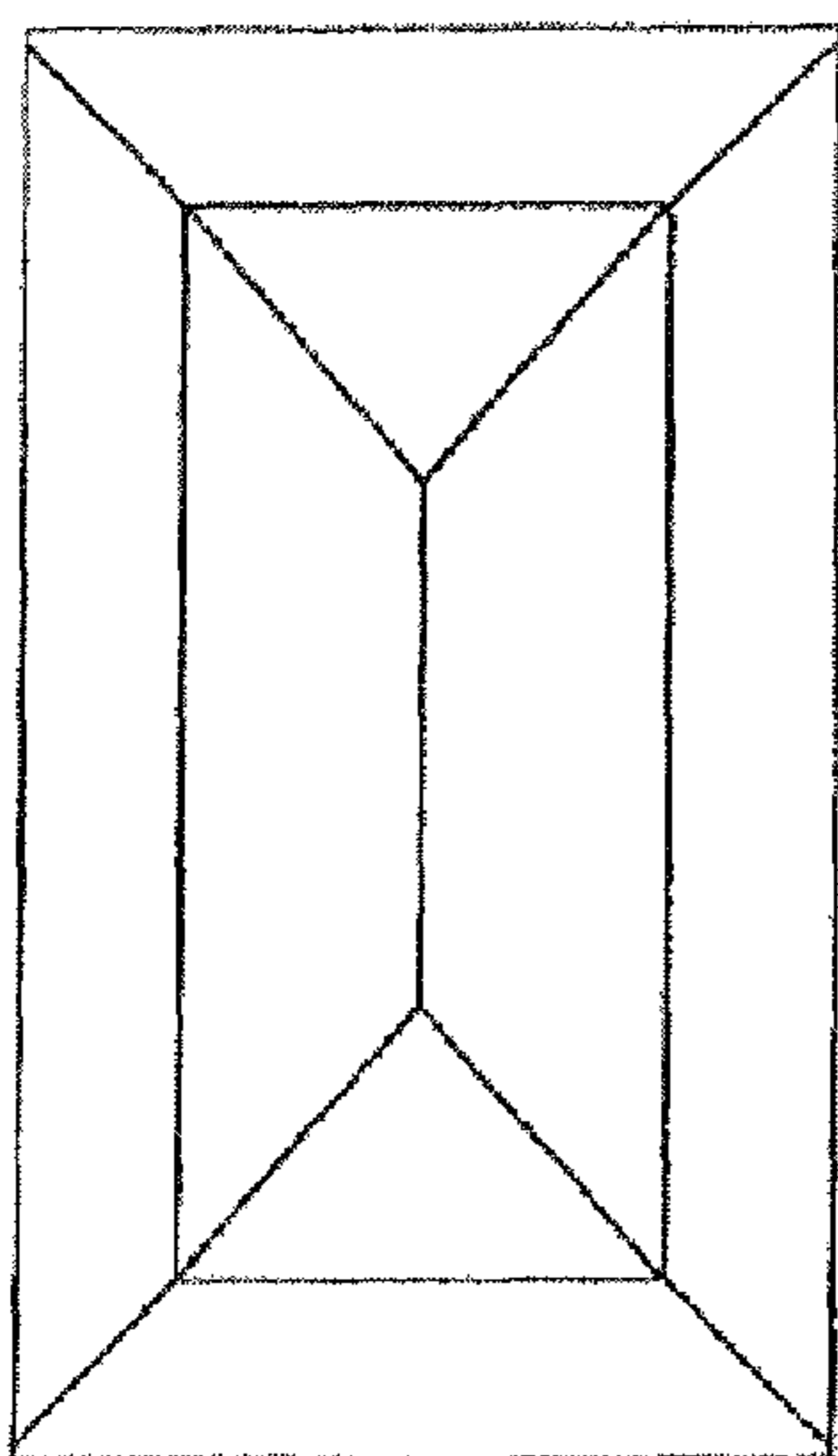


FIG. 4

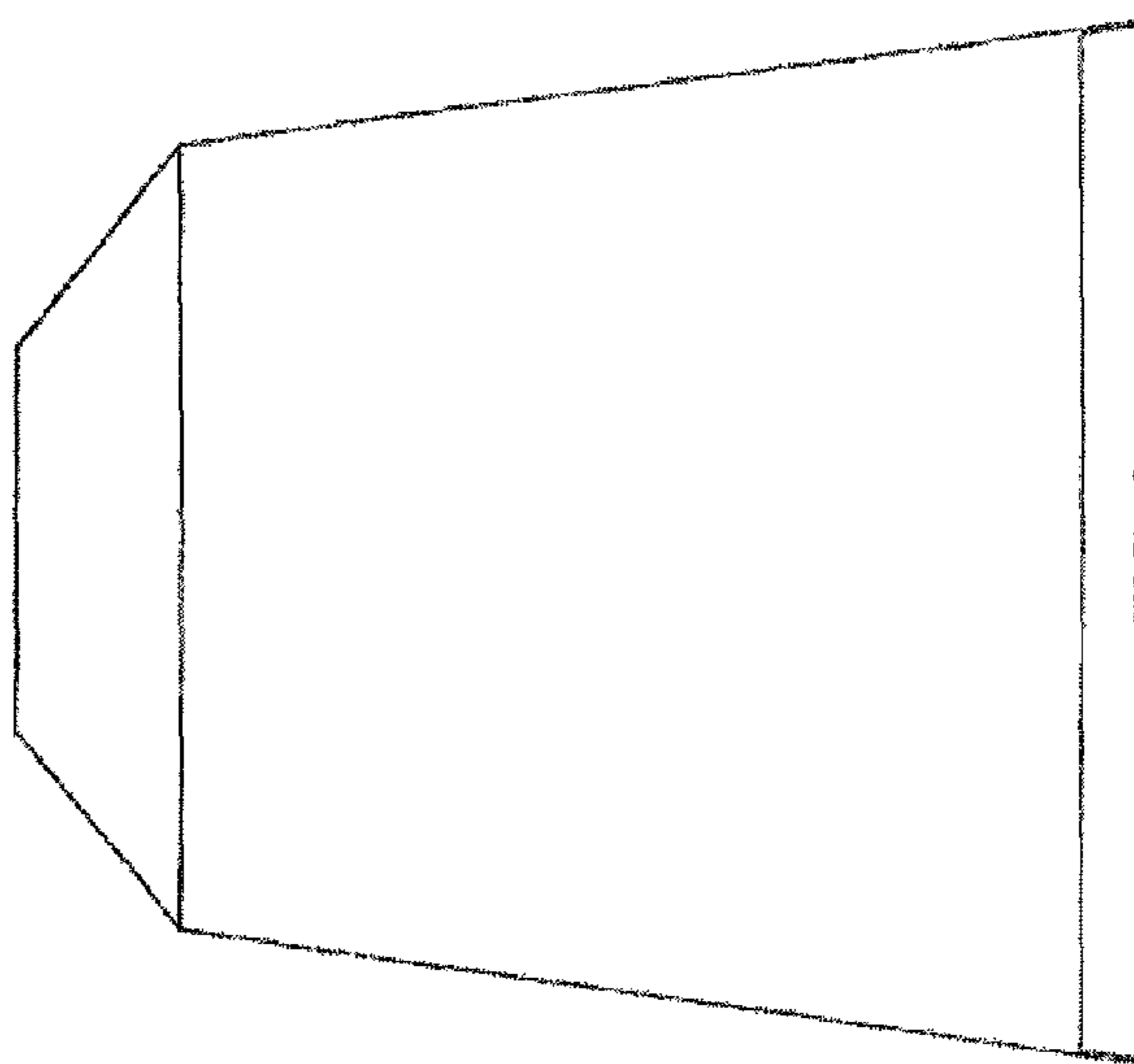


FIG. 3

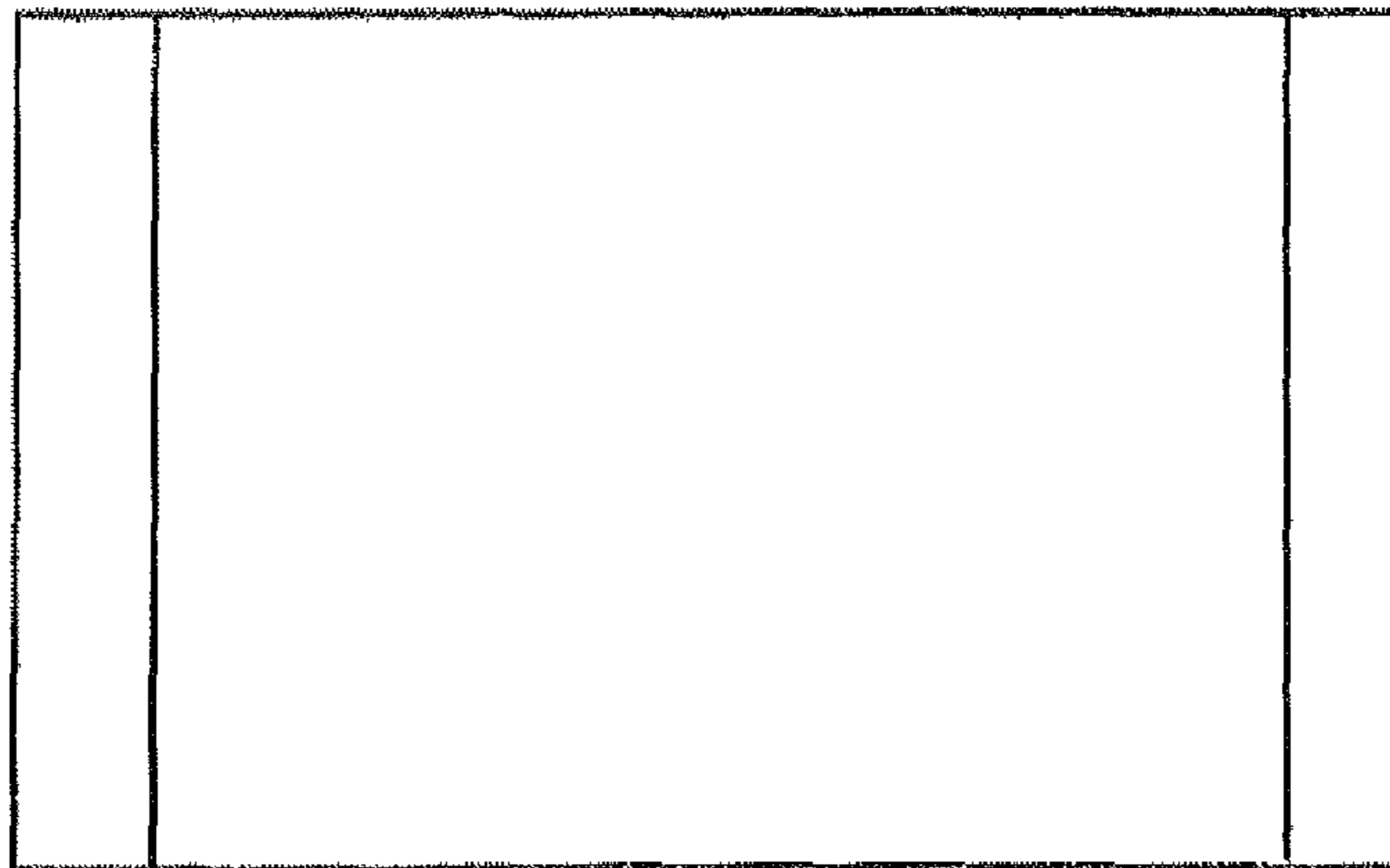


FIG. 5