



US00D636659S

(12) **United States Design Patent**
Rothbaum et al.

(10) **Patent No.:** **US D636,659 S**
(45) **Date of Patent:** **** Apr. 26, 2011**

(54) **STRAP FOR A CORD MANAGEMENT SYSTEM**

(75) Inventors: **Wayne Rothbaum**, New York, NY (US);
Allison S. Conner, Brooklyn, NY (US);
Robert B. Curtis, New York, NY (US);
Jonas K. Damon, New York, NY (US);
Daniel A. Sanchez, Brooklyn, NY (US)

(73) Assignee: **CJD LLC**, New York, NY (US)

(**) Term: **14 Years**

(21) Appl. No.: **29/368,746**

(22) Filed: **Aug. 27, 2010**

(51) **LOC (9) Cl.** **08-05**

(52) **U.S. Cl.** **D8/356**

(58) **Field of Classification Search** D8/356,
D8/354, 349; 220/575; 206/521.15; 24/302,
24/16 R, 306; 439/501; D2/978, 946; D30/139;
381/374

See application file for complete search history.

(56) **References Cited**

U.S. PATENT DOCUMENTS

1,722,498	A *	7/1929	Fridolph	24/578.15
D206,401	S *	12/1966	Fisher	D8/356
D224,960	S *	10/1972	Wilson	D8/396
3,994,048	A *	11/1976	Rosenthal	24/306
4,815,172	A	3/1989	Ward	24/16 R
4,940,427	A *	7/1990	Pearson	439/501
5,048,158	A	9/1991	Koerner	24/16 R
5,130,899	A	7/1992	Larkin et al.	362/32

(Continued)

FOREIGN PATENT DOCUMENTS

JP 2006-222712 A 8/2006

OTHER PUBLICATIONS

Earbud Clips, www.wetjetset.com/store/item/42, printed Jun. 7, 2010, 3 pages.

(Continued)

Primary Examiner — Cynthia Underwood

(74) *Attorney, Agent, or Firm* — Morgan, Lewis & Bockius LLP

(57) **CLAIM**

The ornamental design for a strap for a cord management system, as shown and described.

DESCRIPTION

The present application relates to U.S. utility patent application Ser. No. 12/761,326 filed Apr. 15, 2010, entitled Cord Management System, to PCT patent application No. PCT/US2010/031087 filed Apr. 14, 2010 entitled Cord Management System, and to U.S. design patent application Ser. No. 29/368,755 filed Aug. 27, 2010, entitled Strap for a Cord Management System, and to U.S. design patent application Ser. No. 29/368,754 filed Aug. 27, 2010, entitled Disc for a Cord Management System.

FIG. 1 is a perspective view of a strap for a cord management system;

FIG. 2 is a top view of FIG. 1;

FIG. 3 is a bottom view of FIG. 1;

FIG. 4 is a view of a first side of FIG. 1;

FIG. 5 is a view of a second side of FIG. 1;

FIG. 6 is a view of a third side of FIG. 1;

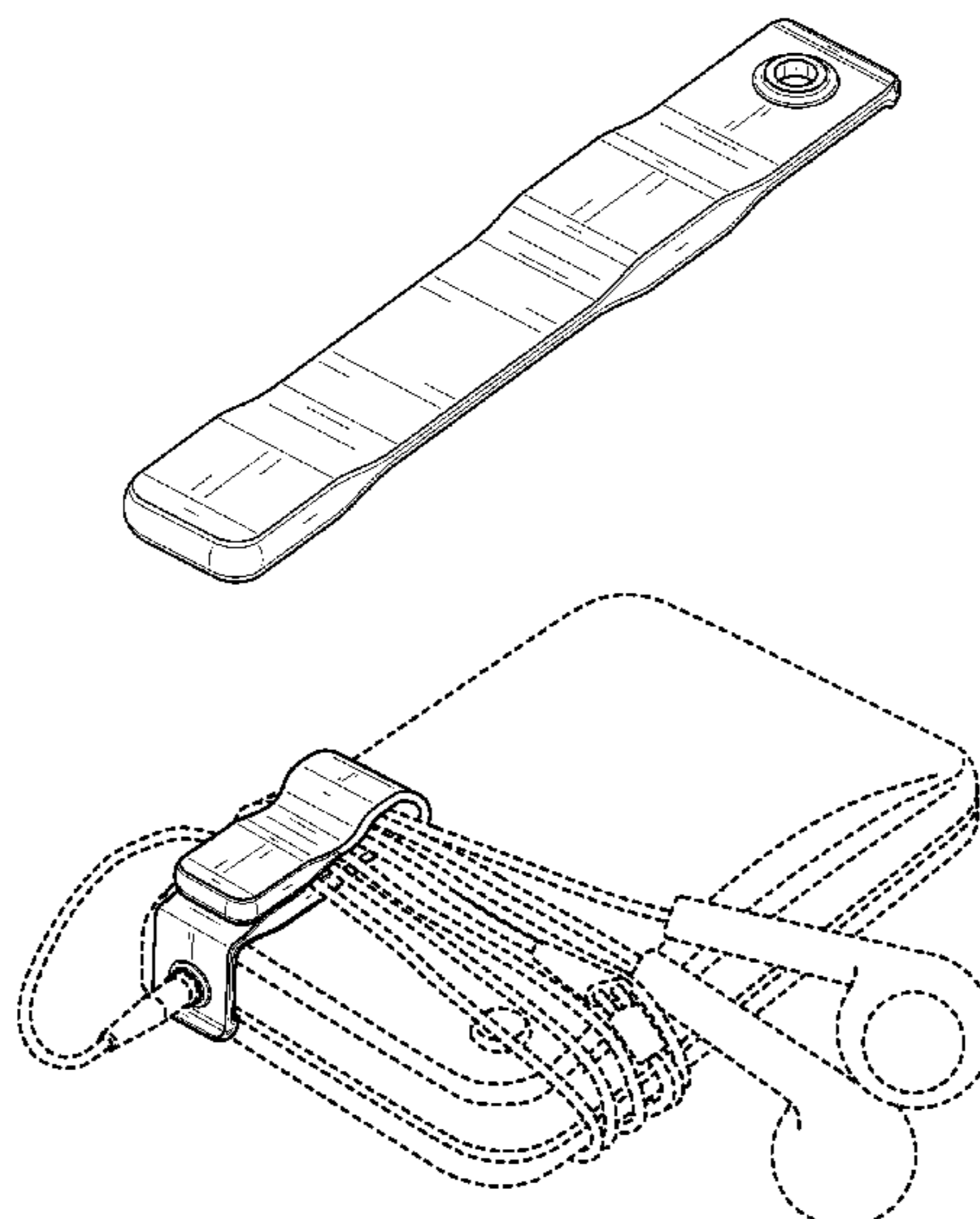
FIG. 7 is a view of a fourth side of FIG. 1;

FIG. 8 is another perspective view of FIG. 1, the perspective view illustrating the item when used in conjunction with an object; and,

FIG. 9 is another perspective view of FIG. 1, the perspective view illustrating the item when used in conjunction with an object and shown in a folded position.

The broken lines showing elements of the strap for a cord management system in the above described figures are for illustrative purposes only and form no part of the claimed design.

1 Claim, 6 Drawing Sheets



US D636,659 S

Page 2

U.S. PATENT DOCUMENTS

5,142,743	A	9/1992	Hahn	24/16 R
5,168,603	A *	12/1992	Reed	24/16 R
D357,739	S *	4/1995	Stewart et al.	D24/176
5,402,971	A	4/1995	Bower	248/74.3
5,572,773	A	11/1996	Bauer	24/303
5,584,452	A	12/1996	Koike	248/74.3
5,604,961	A	2/1997	Cole	24/306
5,682,653	A	11/1997	Berglof et al.	24/303
5,802,676	A	9/1998	Tolan	24/16 R
D401,137	S *	11/1998	Boelling	D8/394
6,044,525	A	4/2000	Sastre et al.	24/20 R
6,344,021	B1	2/2002	Juster et al.	600/15
6,427,290	B1	8/2002	Liu	24/16 R
6,467,132	B1 *	10/2002	Robley	24/16 PB
6,490,767	B2 *	12/2002	Haiduk	24/298
6,499,199	B2 *	12/2002	Frazier	24/306
6,581,885	B2	6/2003	Polad	248/74.3
6,588,074	B2	7/2003	Galkiewicz et al.	24/586.1
6,701,580	B1 *	3/2004	Bandyopadhyay	24/16 R
D488,374	S *	4/2004	Hussaini et al.	D8/396
6,763,554	B1	7/2004	Torrey et al.	24/30.5 P
6,880,270	B2	4/2005	Prather	36/50.1
7,096,544	B2 *	8/2006	Lusardi	24/306
D567,630	S *	4/2008	Brassard	D8/349
D567,631	S *	4/2008	Brassard	D8/349
7,516,591	B2 *	4/2009	Wolner et al.	52/698
D599,196	S *	9/2009	Ruffin et al.	D8/356
D613,137	S *	4/2010	Wieberdink et al.	D8/14

7,712,696	B2	5/2010	Loh	242/360
2002/0073516	A1	6/2002	Behar	24/306
2002/0112323	A1	8/2002	Nire	24/303
2003/0167605	A1 *	9/2003	Schultz	24/306
2005/0016760	A1	1/2005	Vasichek	174/135
2005/0025329	A1	2/2005	Lee	381/370
2006/0008106	A1	1/2006	Harper	381/374
2006/0186150	A1	8/2006	Willows et al.	224/222
2007/0152008	A1	7/2007	Case	224/666
2008/0041897	A1	2/2008	Malhotra	224/199
2008/0149679	A1	6/2008	Case et al.	224/666
2009/0013504	A1	1/2009	Crespo	24/306

OTHER PUBLICATIONS

Headphone Cable Tidy—Pack of 3—Accessories for PDA, Smartphone ..., www.proporta.com/F02/PPF02P05.php?t_id=4452&t_mode=des... printed Jun. 7, 2010, 2 pages.

International Search Report and Written Opinion, PCT/US2009/067927, Jul. 14, 2010, 8 pages.

Sumajin SmartWrap Earphone Cord Manager, www.ilounge.com/index.php/reviews/entry/sumajin-smartwrap..., printed Jun. 7, 2010, 3 pages.

Use Magnetic Paper Clips to Keep Cords from Tangling, www.geeksugar.com/Use-Magnetic-Paper-Clips-Keep-Cords-From-Tangling, printed Jun. 7, 2010, 5 pages.

* cited by examiner

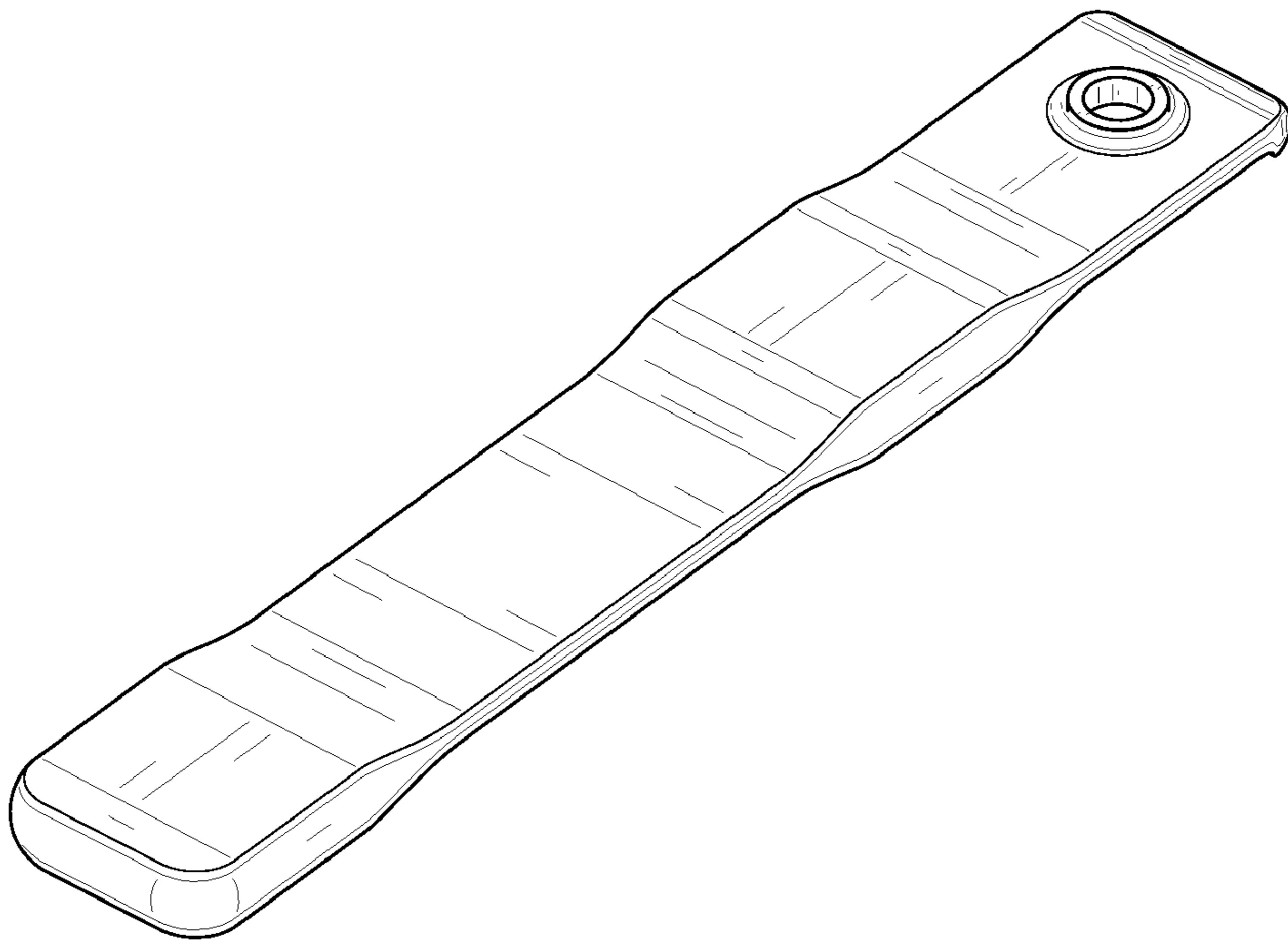


FIG. 1

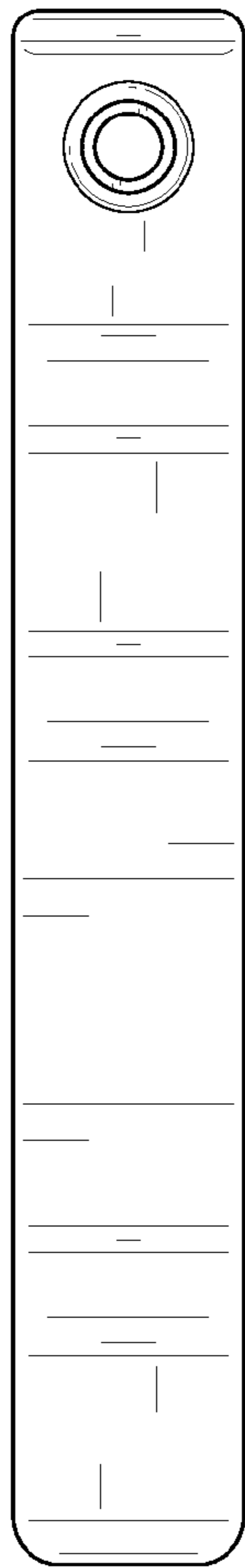


FIG. 2

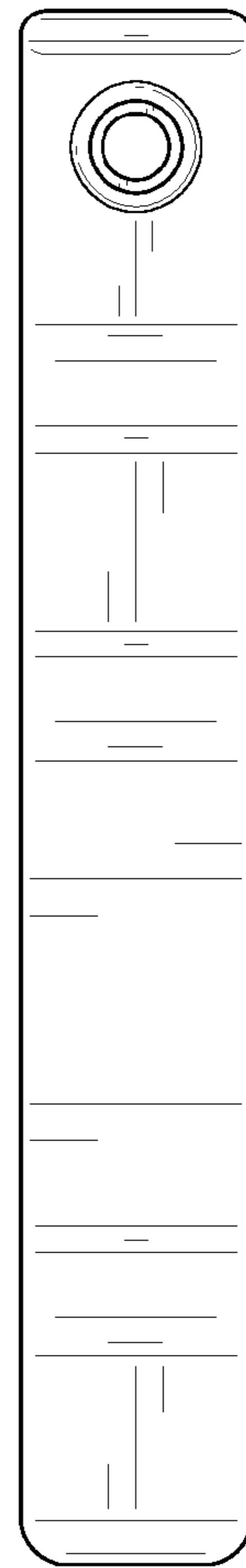


FIG. 3

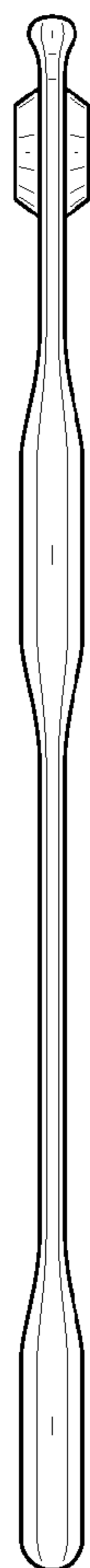


FIG. 4

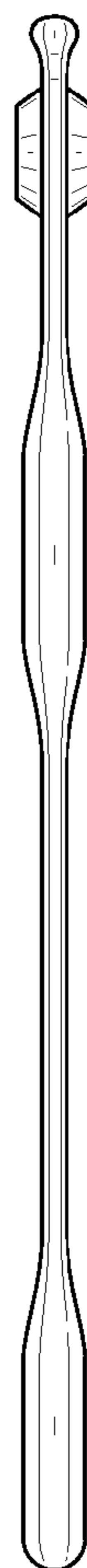


FIG. 5

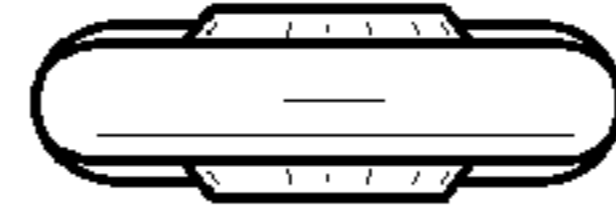


FIG. 6

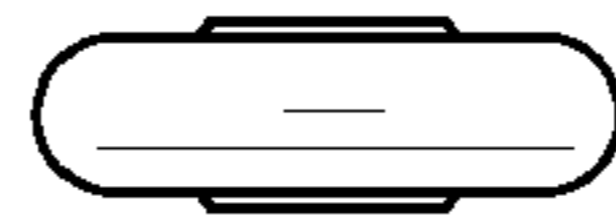


FIG. 7

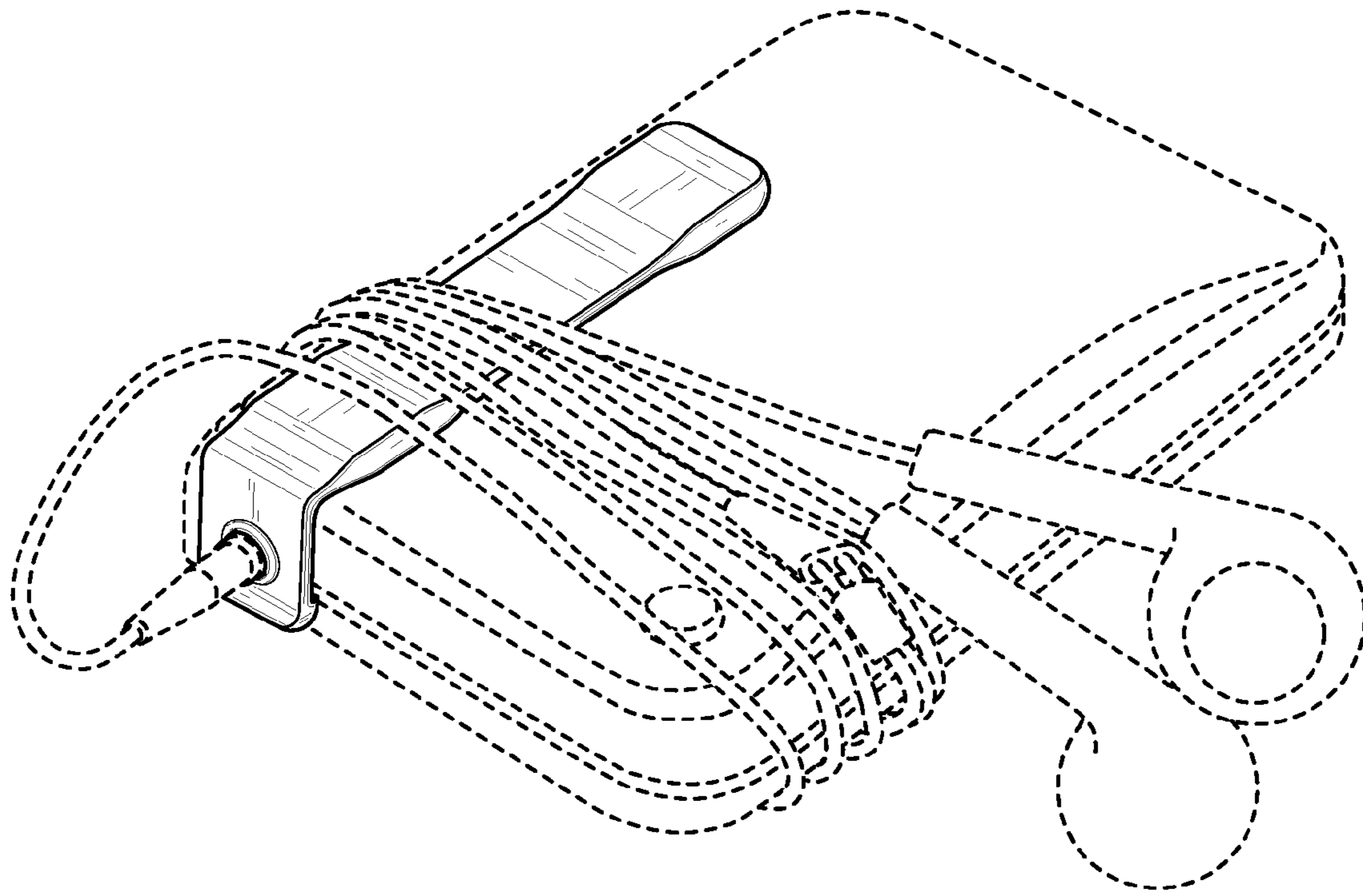


FIG. 8

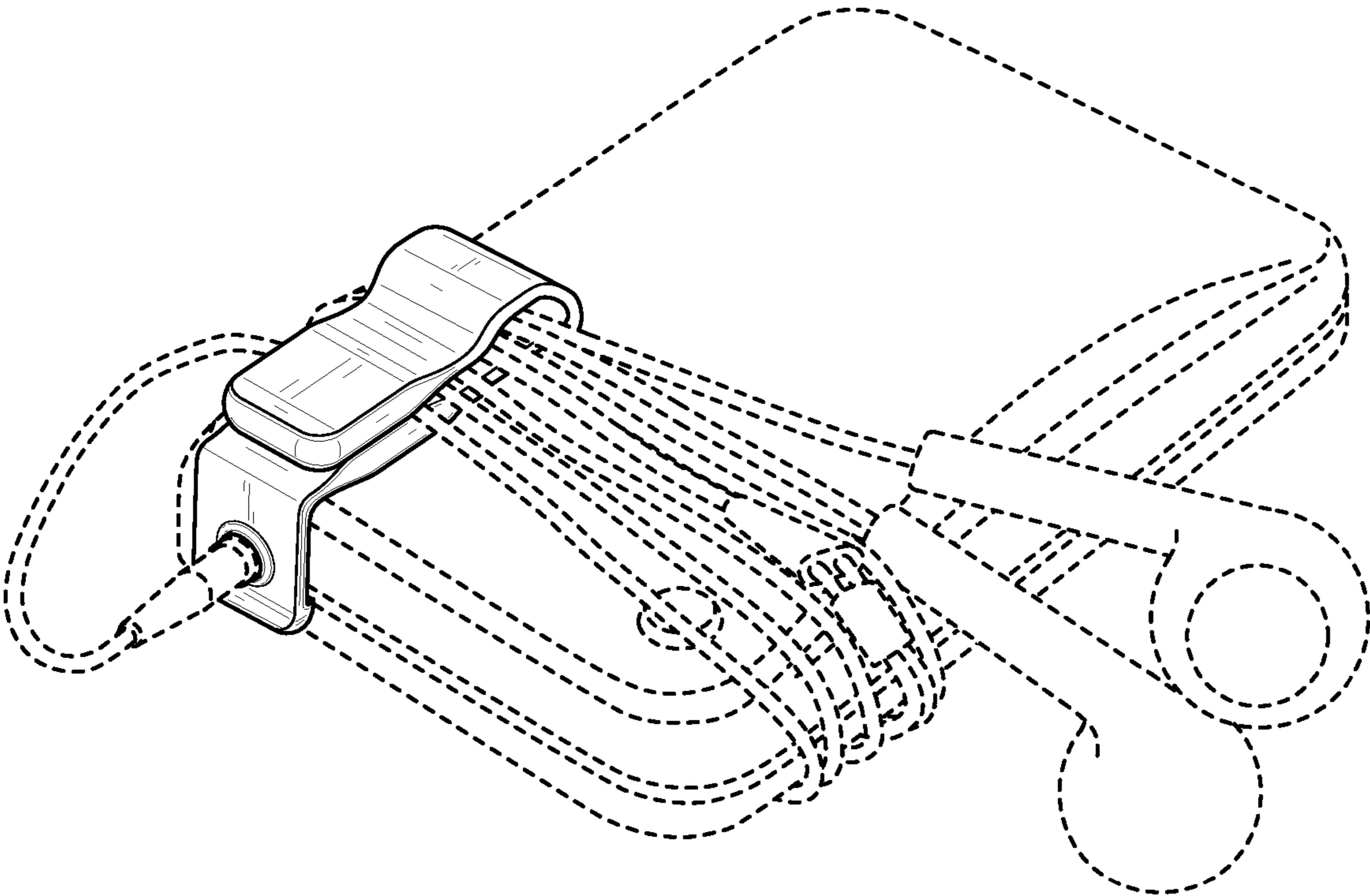


FIG. 9