



US00D636658S

(12) **United States Design Patent**
McGrath

(10) **Patent No.:** **US D636,658 S**

(45) **Date of Patent:** **** *Apr. 26, 2011**

(54) **ADJUSTABLE BRACKET**

(76) Inventor: **Andrew H. McGrath**, Concord, CA
(US)

(*) Notice: This patent is subject to a terminal disclaimer.

(**) Term: **14 Years**

(21) Appl. No.: **29/355,883**

(22) Filed: **Feb. 16, 2010**

(51) **LOC (9) Cl.** **08-05**

(52) **U.S. Cl.** **D8/355**

(58) **Field of Classification Search** D8/355;
248/28.11, 289.11, 291.1

See application file for complete search history.

(56) **References Cited**

U.S. PATENT DOCUMENTS

D306,396 S *	3/1990	Brushaber	D8/355
D499,954 S *	12/2004	Brushaber	D8/355
7,300,030 B2 *	11/2007	Michalo et al.	248/309.1
D558,027 S *	12/2007	Lanz	D8/355

* cited by examiner

Primary Examiner — Holly H Baynham

(74) *Attorney, Agent, or Firm* — Charles L. Thoeming

(57) **CLAIM**

The ornamental design for an adjustable bracket, as shown and described.

DESCRIPTION

FIG. 1 is a perspective view of an adjustable bracket showing my new design.

FIG. 2 is a right side view of the adjustable bracket of FIG. 1.

FIG. 3 is a top view of the adjustable bracket of FIG. 1.

FIG. 4 is a front view of the adjustable bracket of FIG. 1; a rear view of the adjustable bracket of FIG. 1 is the mirror image of FIG. 4.

FIG. 5 is a bottom view of the adjustable bracket of FIG. 1.

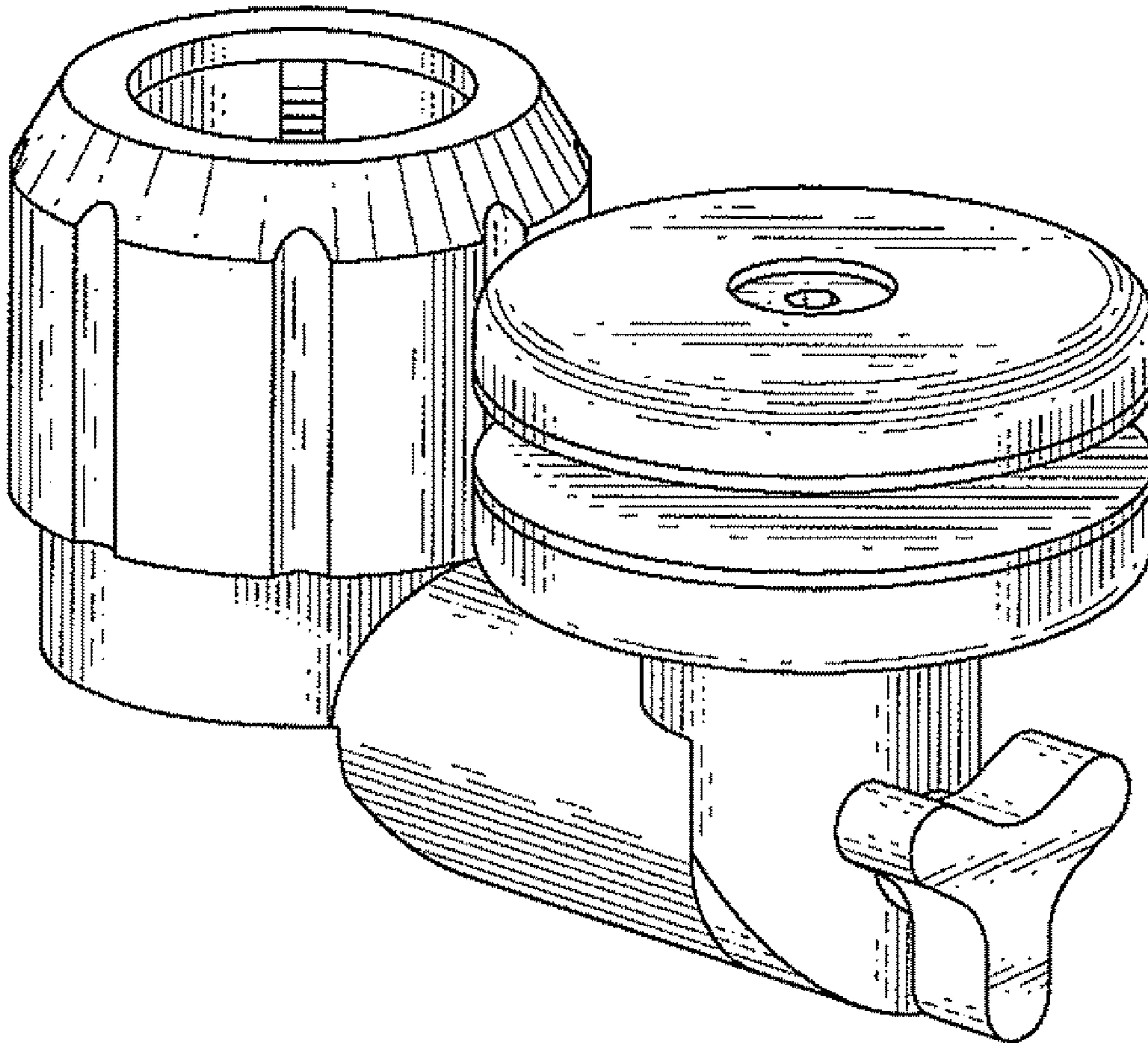
FIG. 6 is a left side view of the adjustable bracket of FIG. 1.

FIG. 7 is a reduced scale perspective view of the adjustable bracket of FIG. 1; and,

FIG. 8 is another perspective view of the adjustable bracket.

The broken line showing of a partial pole, partial surface and an additional bracket is included for the purpose of illustrating environment and forms no part of the claimed design.

1 Claim, 2 Drawing Sheets



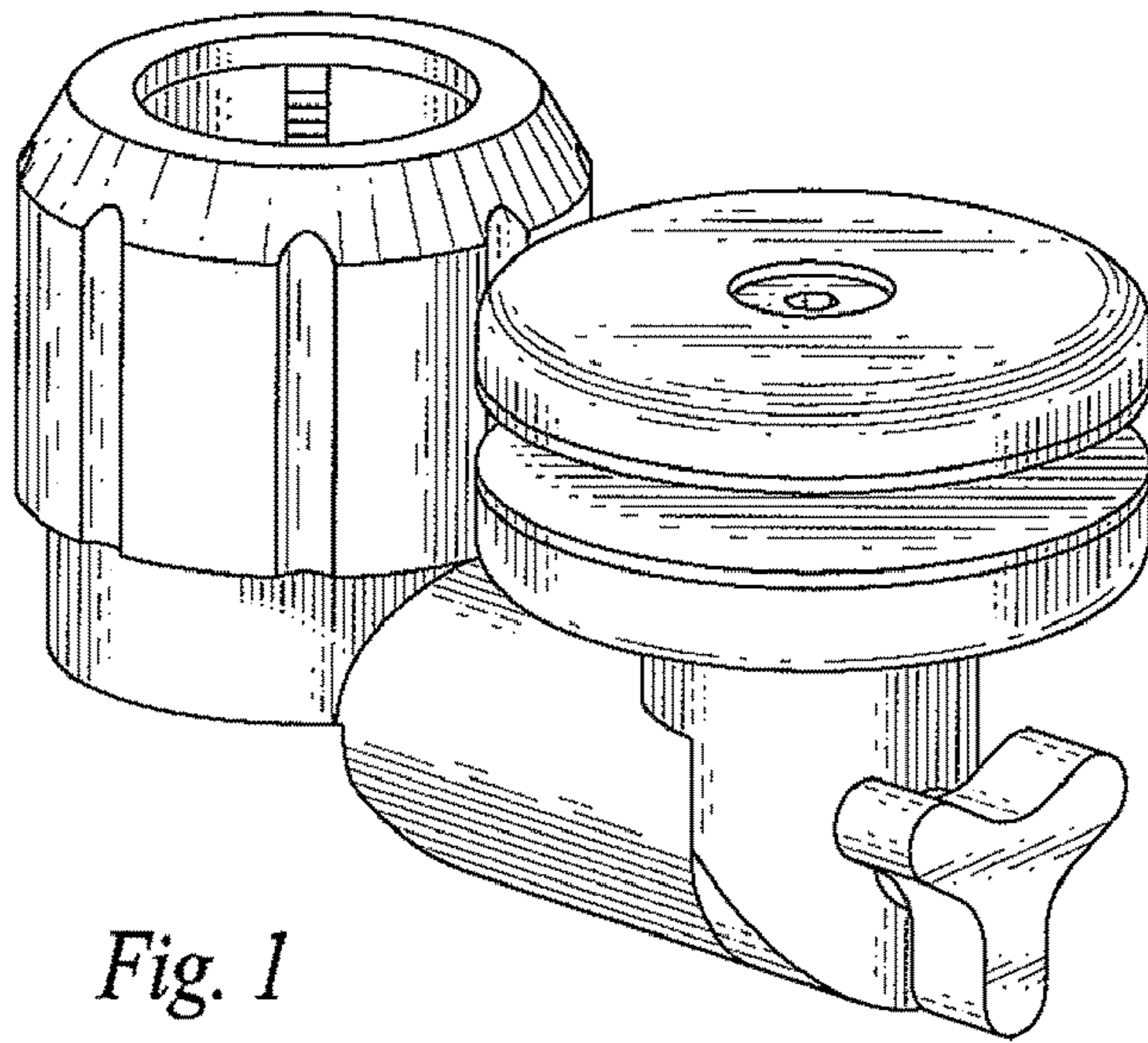


Fig. 1

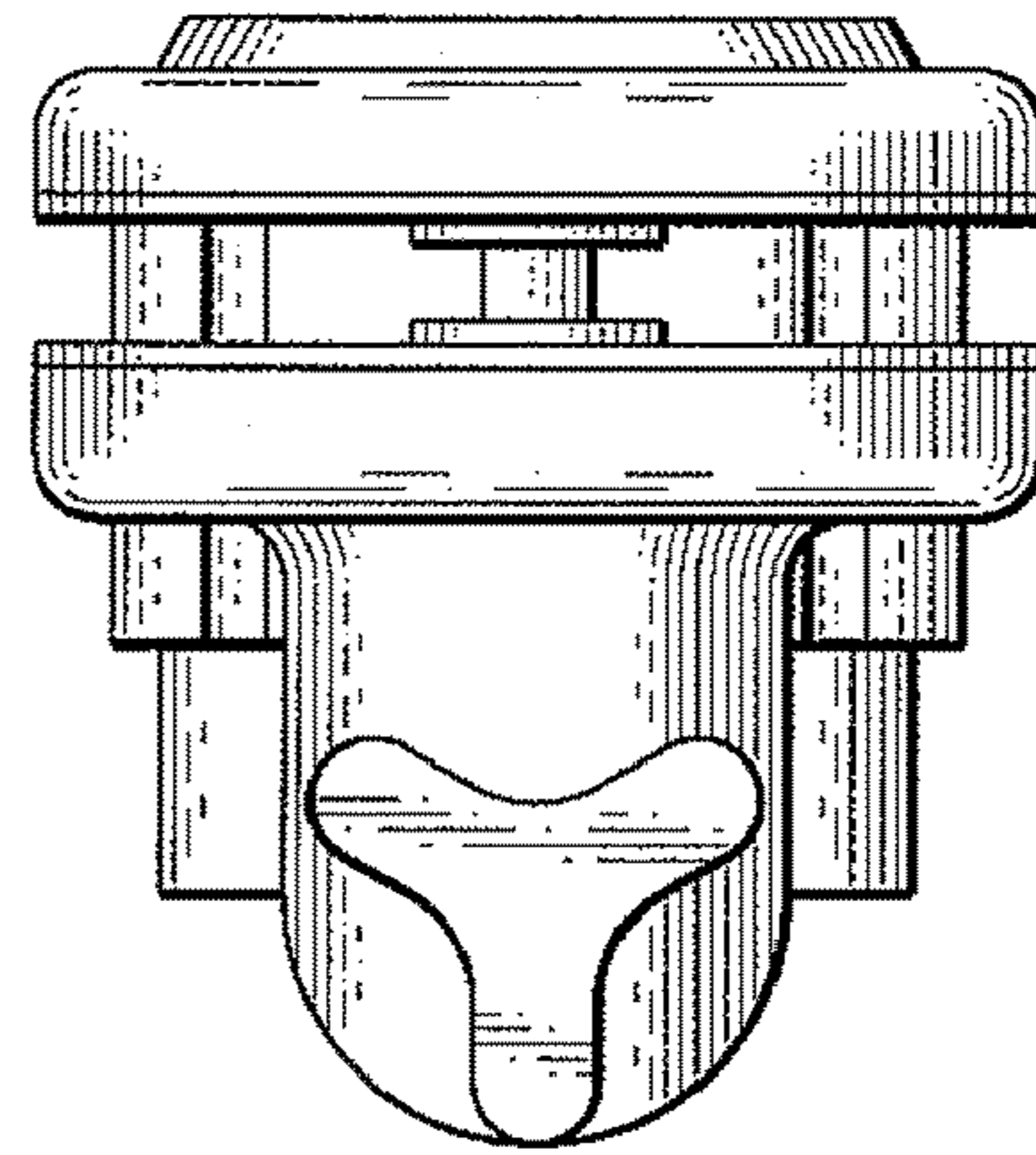


Fig. 2

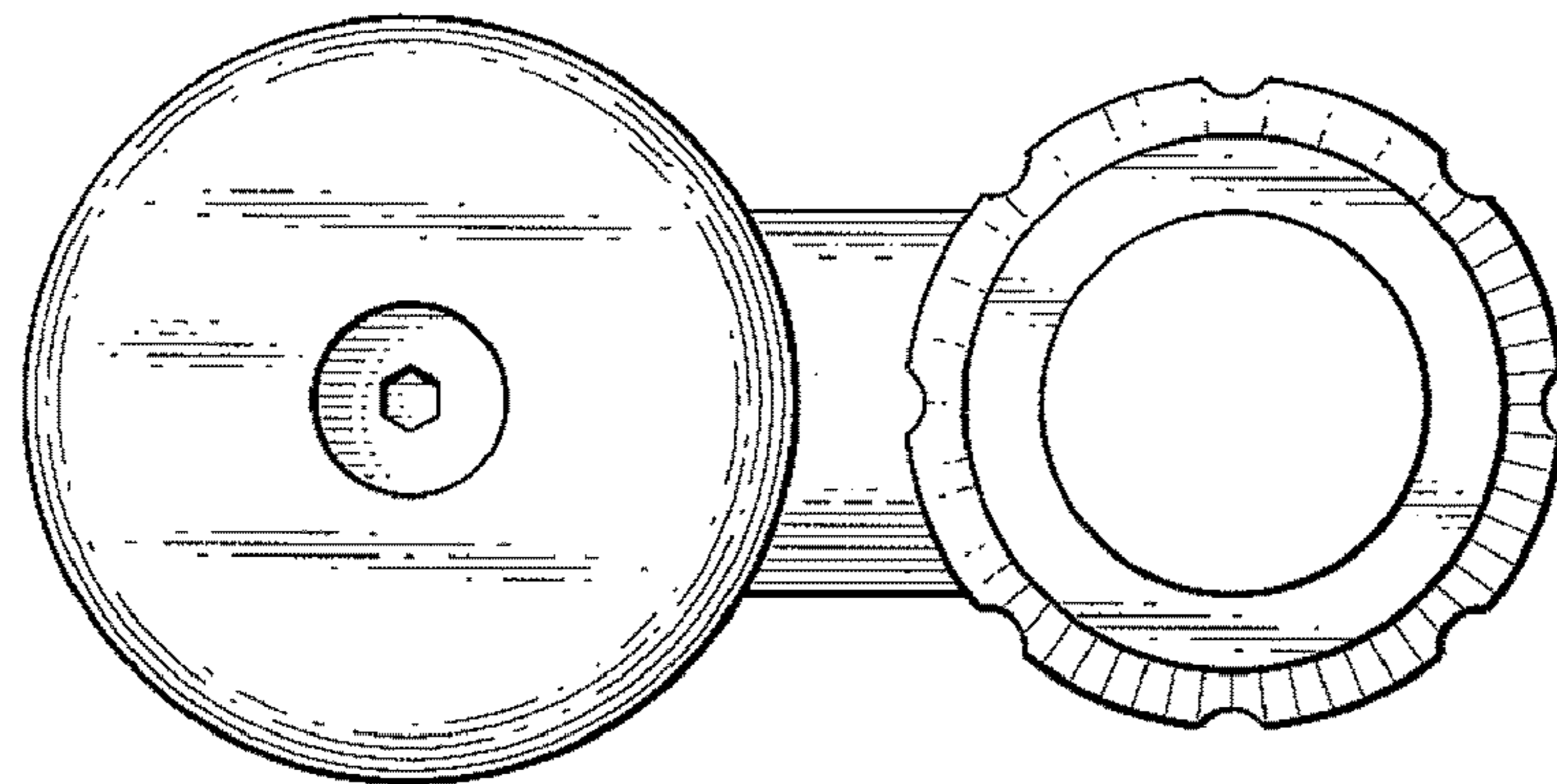


Fig. 3

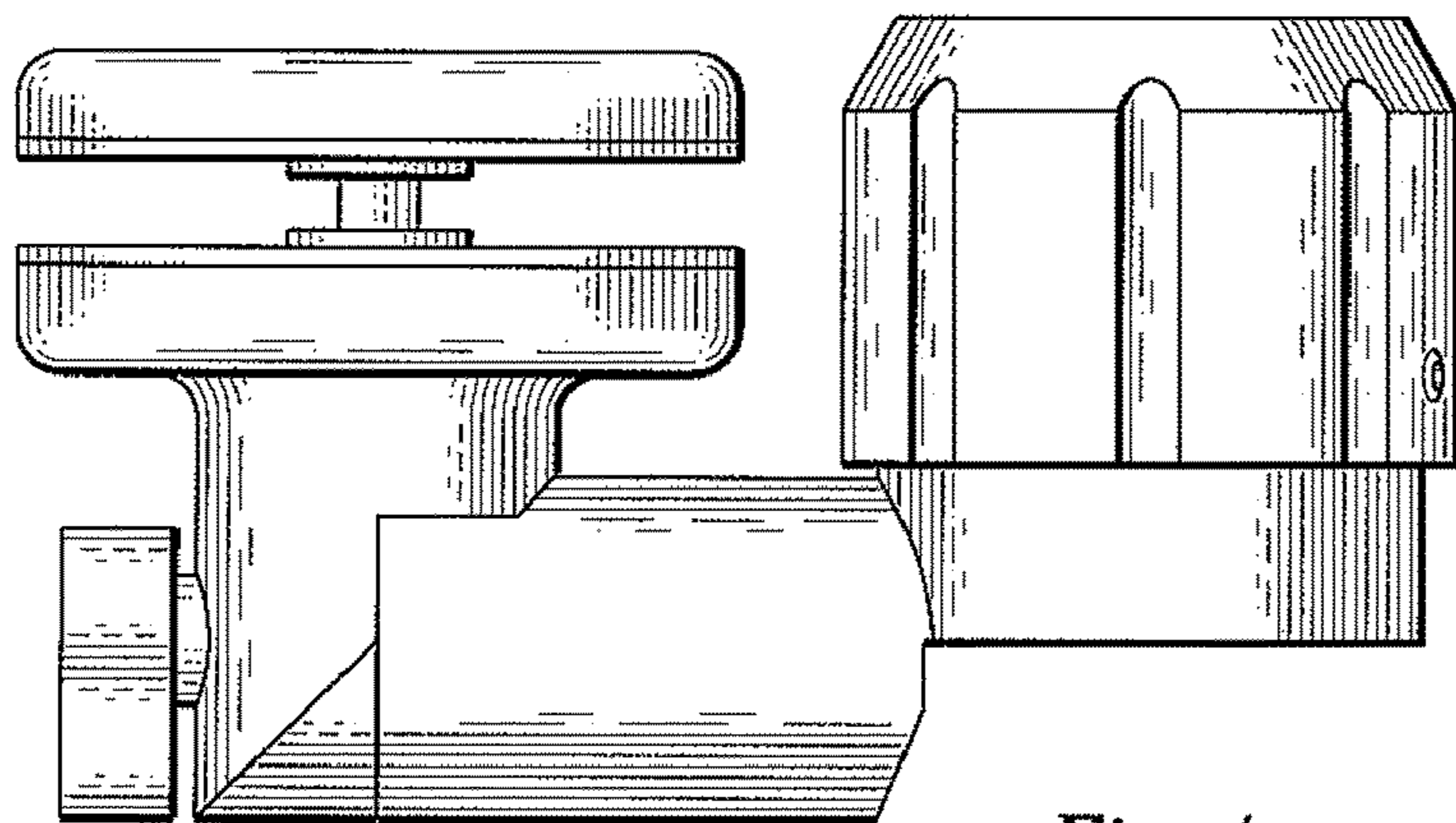


Fig. 4

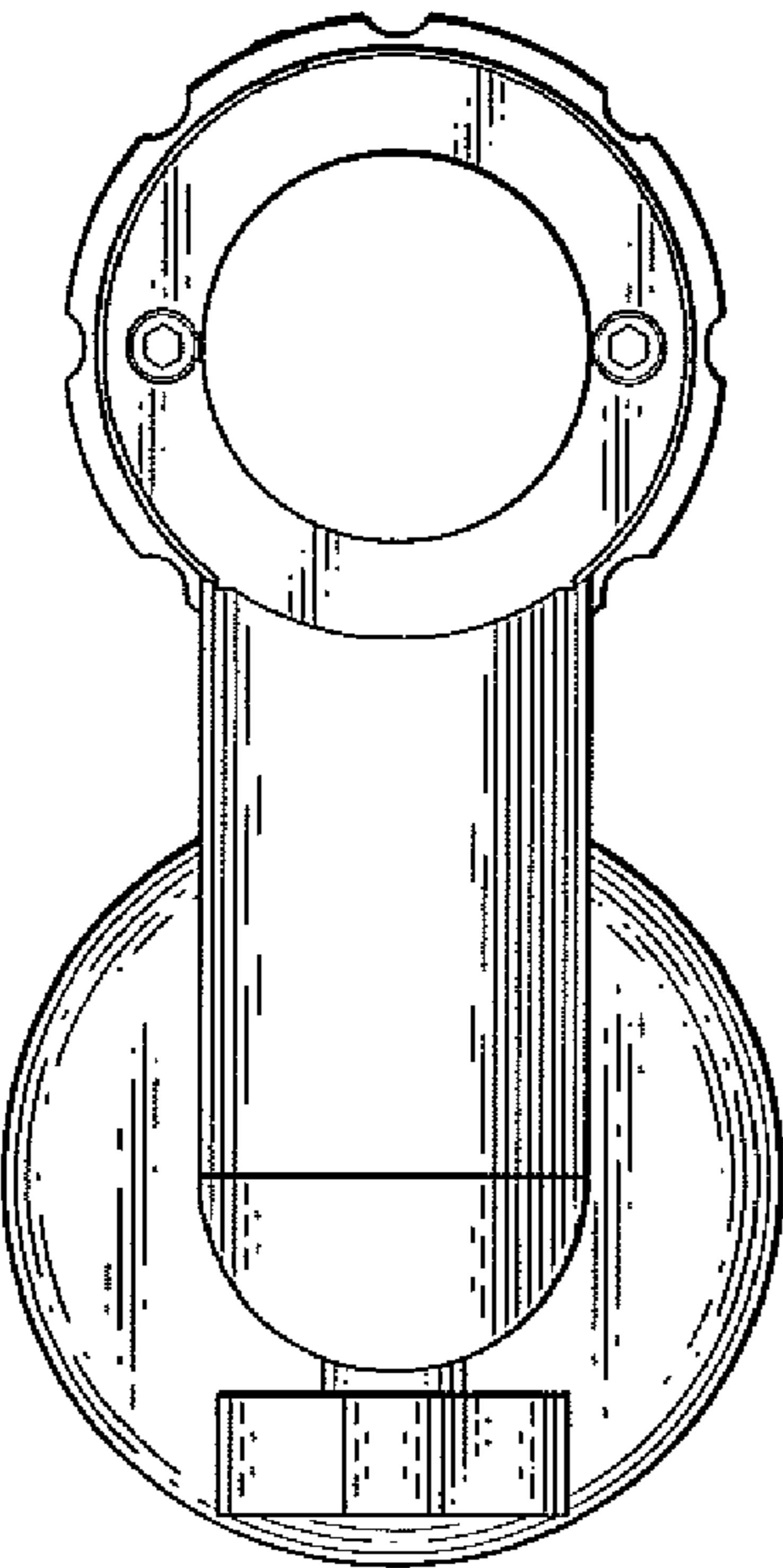


Fig. 5

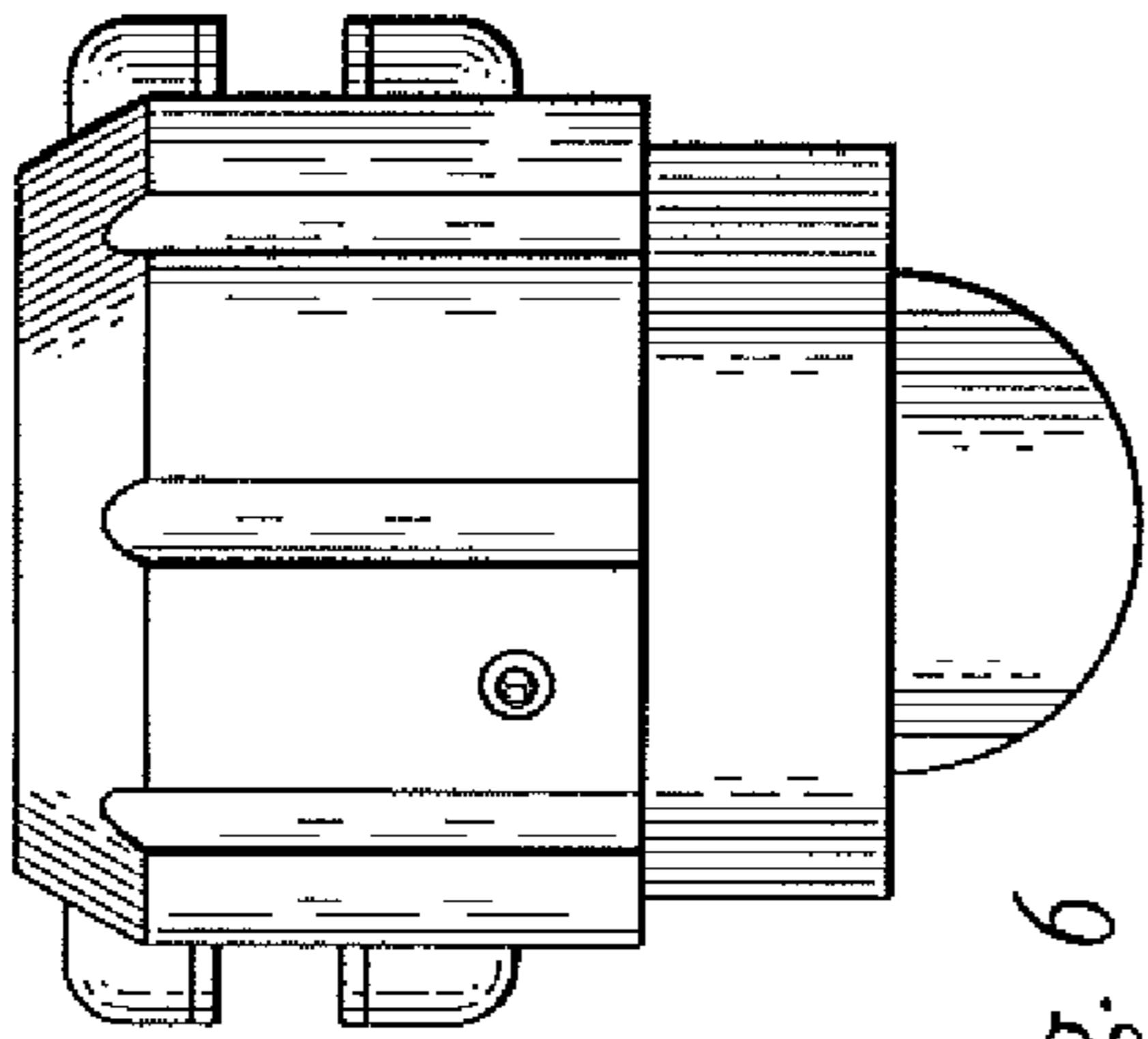


Fig. 6

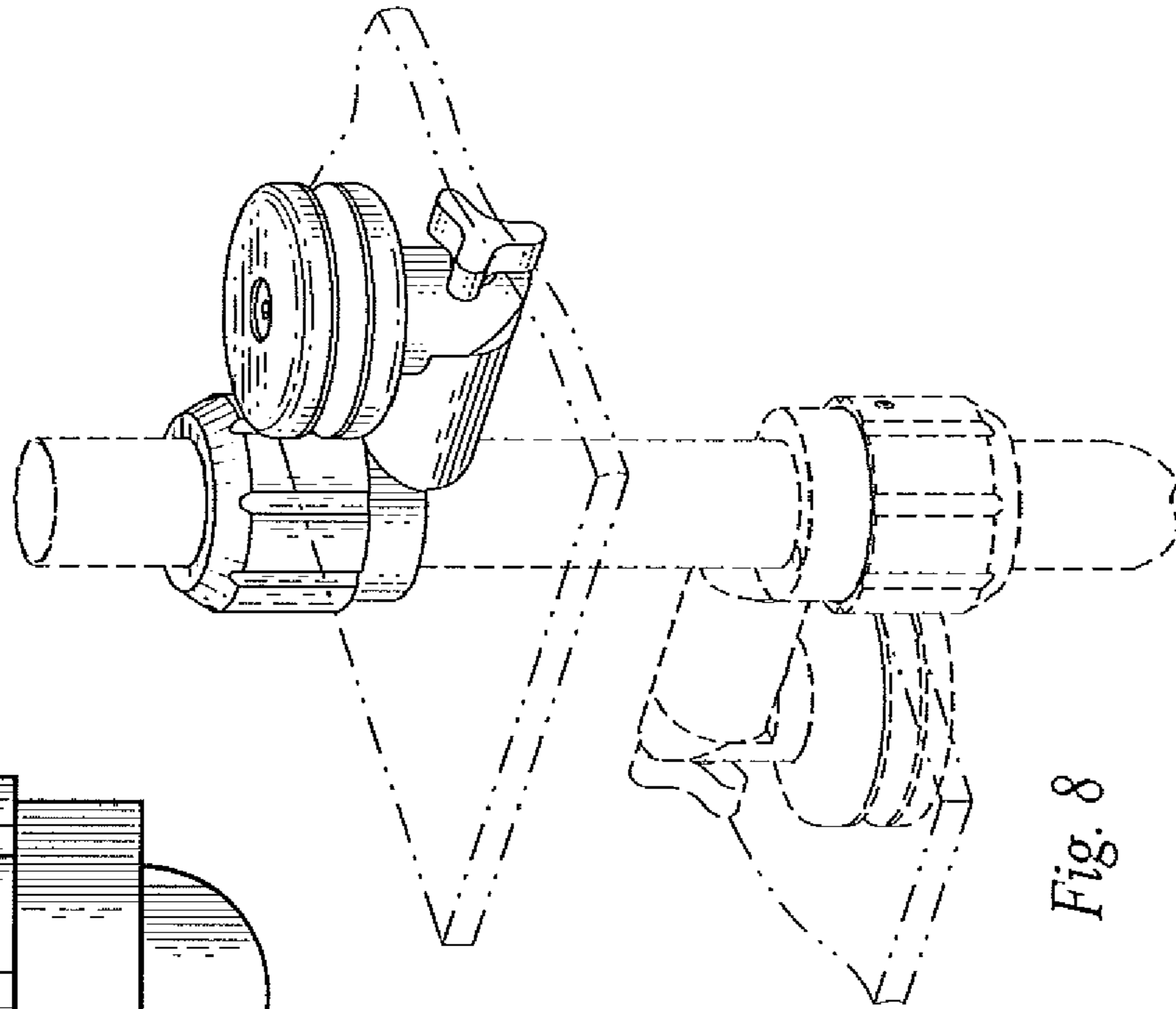


Fig. 8

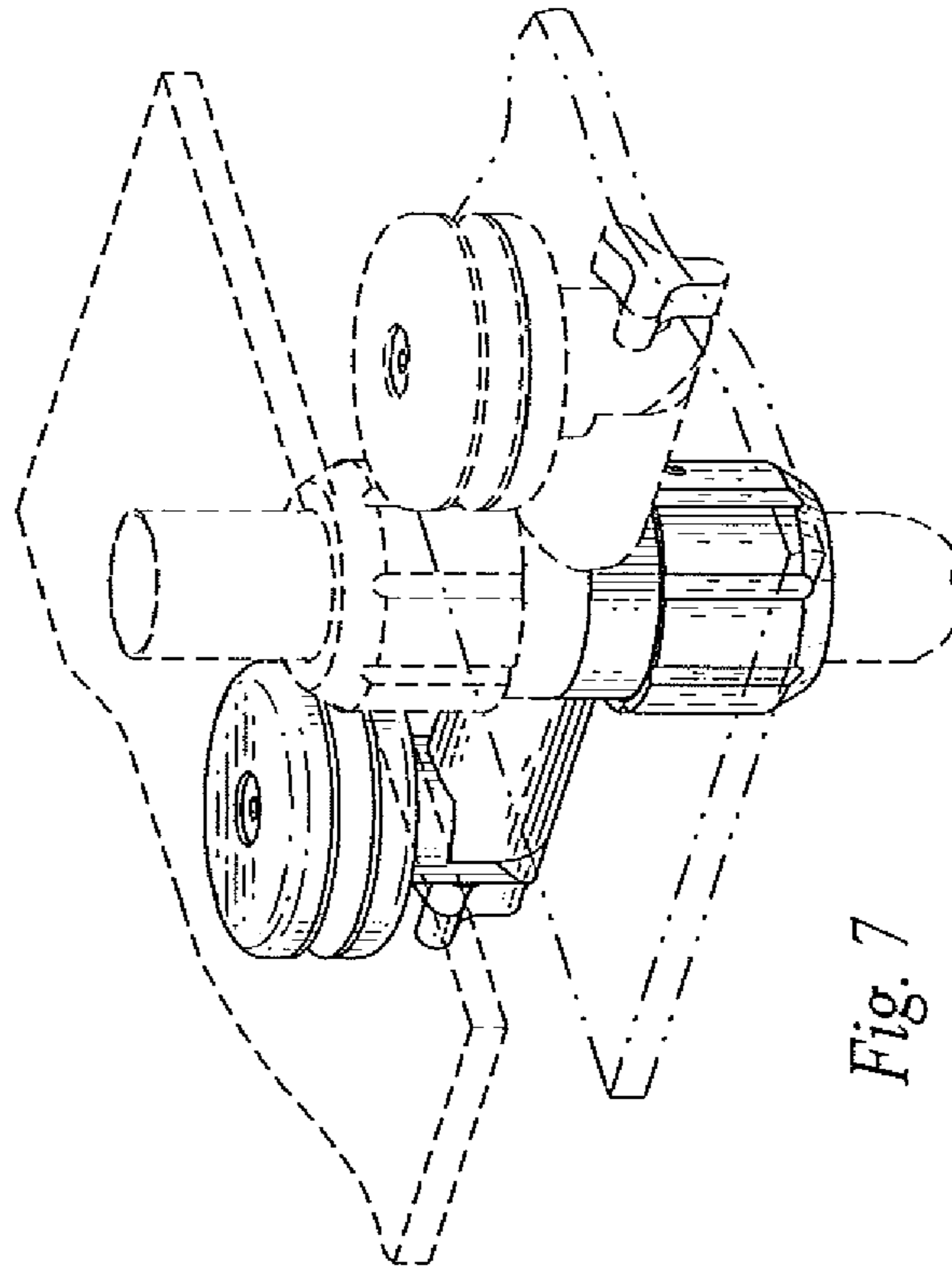


Fig. 7