



US00D636657S

(12) **United States Design Patent**
Quinlan et al.

(10) **Patent No.:** **US D636,657 S**

(45) **Date of Patent:** **** Apr. 26, 2011**

(54) **HANGER BODY**

FOREIGN PATENT DOCUMENTS

(75) Inventors: **David Quinlan**, Plantsville, CT (US);
Scott Machado, West Haven, CT (US)

GB 2 165 296 A 4/1986

* cited by examiner

(73) Assignee: **Unger Marketing International, LLC**,
Bridgeport, CT (US)

Primary Examiner — Brian N Vinson

(74) *Attorney, Agent, or Firm* — Ohlandt, Greeley, Ruggiero
& Perle, L.L.P.

(**) Term: **14 Years**

(57) **CLAIM**

(21) Appl. No.: **29/369,733**

The ornamental design for a hanger body, as shown and described.

(22) Filed: **Sep. 13, 2010**

DESCRIPTION

(51) **LOC (9) Cl.** **08-01**

(52) **U.S. Cl.** **D8/354**

(58) **Field of Classification Search** D8/71,
D8/72, 73, 394, 395, 396, 349, 354, 382,
D8/373; D6/553, 572; 269/228, 268; 248/313,
248/316.1, 309.2, 312

See application file for complete search history.

FIG. 1 is a top, front, and left side perspective view of a first embodiment of a hanger body showing our new design; FIG. 2 is an enlarged top, front, and left side perspective view thereof; FIG. 3 is an enlarged top, front, and left side perspective view thereof; FIG. 4 is an enlarged top plan view thereof; FIG. 5 is an enlarged bottom plan view thereof; FIG. 6 is an enlarged left side elevational view thereof; FIG. 7 is an enlarged right side elevational view thereof; FIG. 8 is an enlarged front elevational view thereof; and, FIG. 9 is an enlarged rear elevational view thereof.

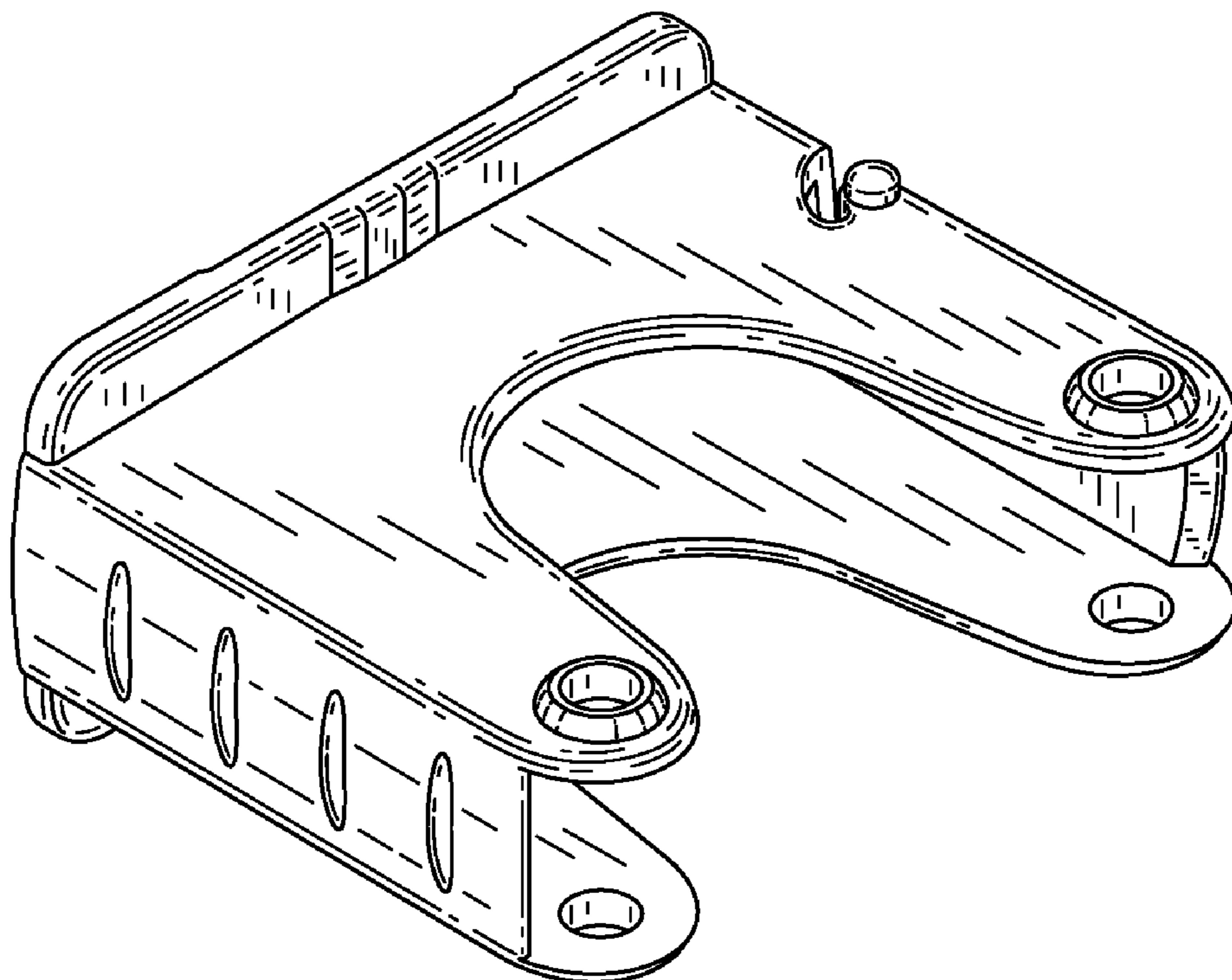
The broken-line disclosure is for illustrative purposes only and forms no part of the claimed design, and a second embodiment comprises a mirror image of the first embodiment.

(56) **References Cited**

U.S. PATENT DOCUMENTS

D175,455 S *	8/1955	Bartleman	D6/572
D262,337 S *	12/1981	Bateman et al.	D6/572
4,716,811 A *	1/1988	Johnson	269/228
D294,457 S *	3/1988	Doty et al.	D8/373
D302,503 S *	8/1989	Gerry et al.	D6/553
D342,005 S	12/1993	Forsberg		
D342,440 S	12/1993	Forsberg		
D348,196 S	6/1994	Forsberg		
D413,035 S *	8/1999	Weterrings et al.	D6/572

1 Claim, 5 Drawing Sheets



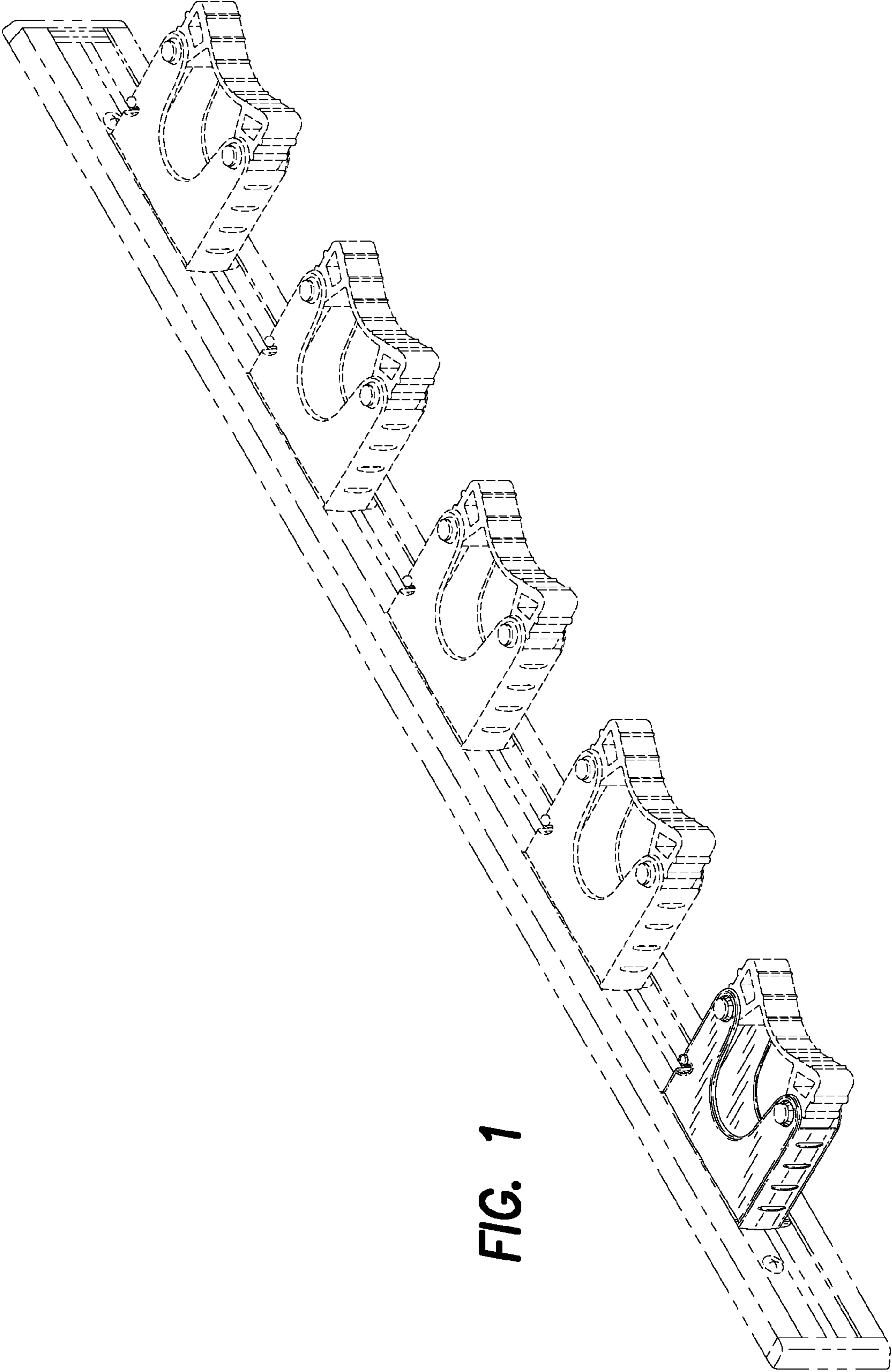


FIG. 1

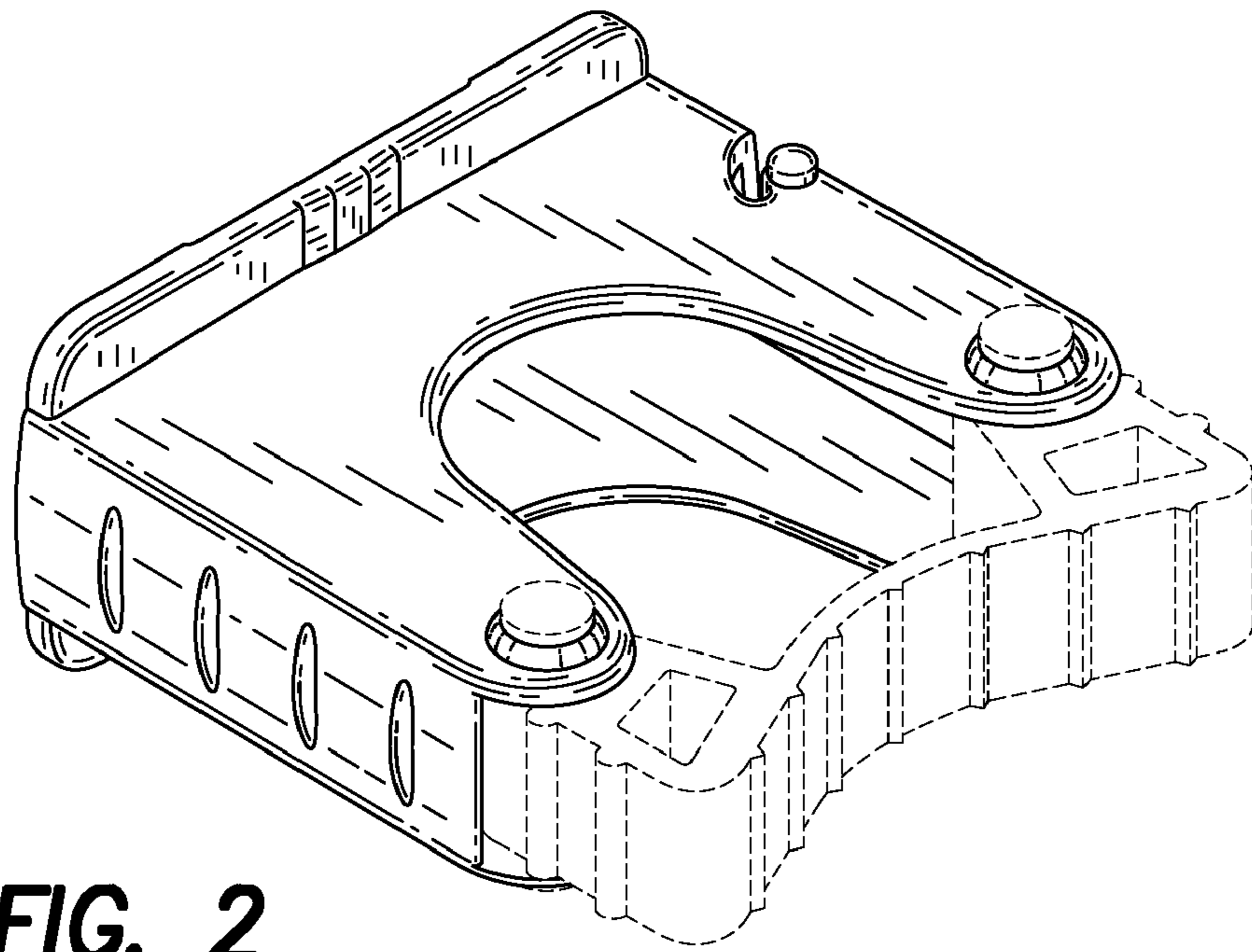


FIG. 2

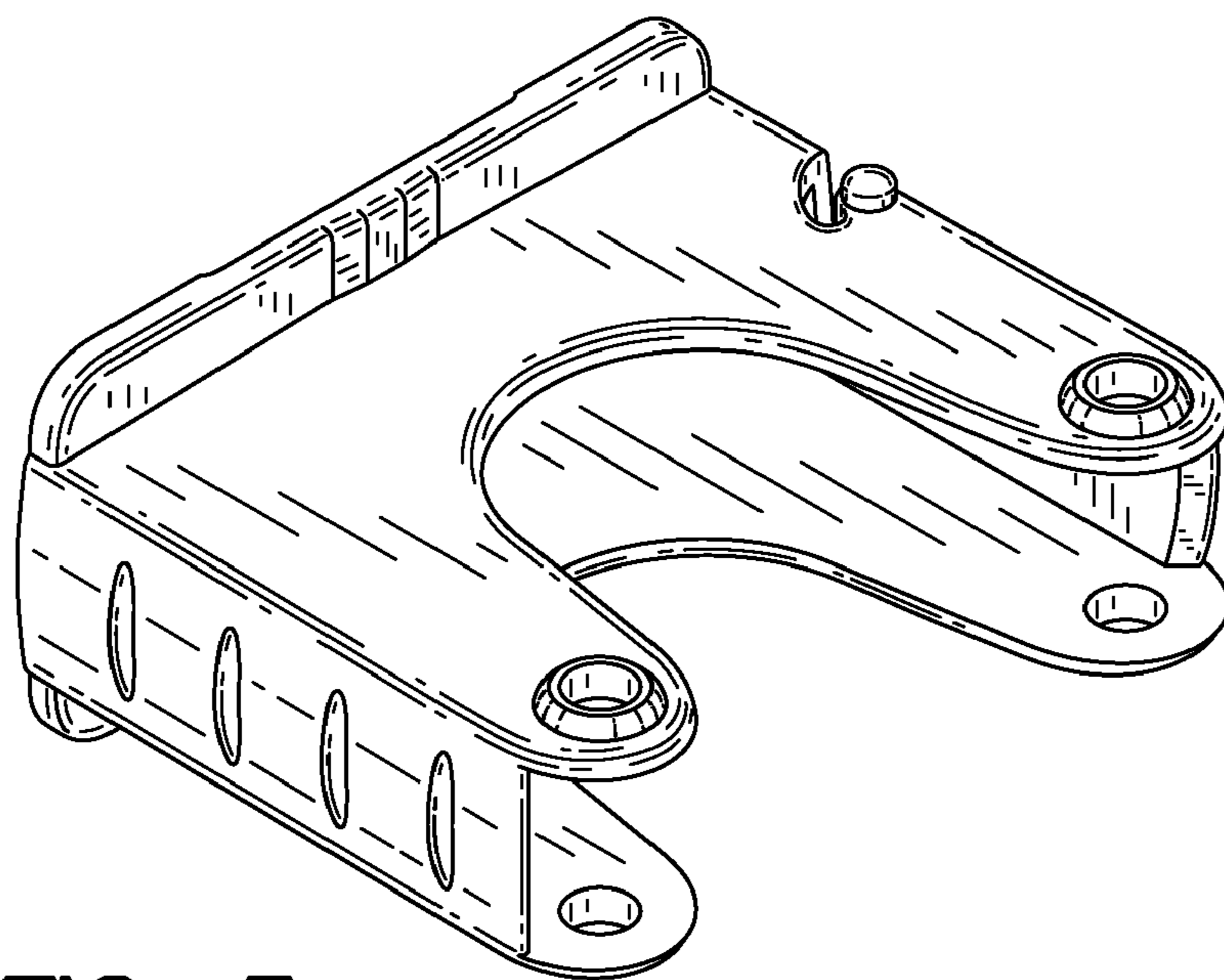


FIG. 3

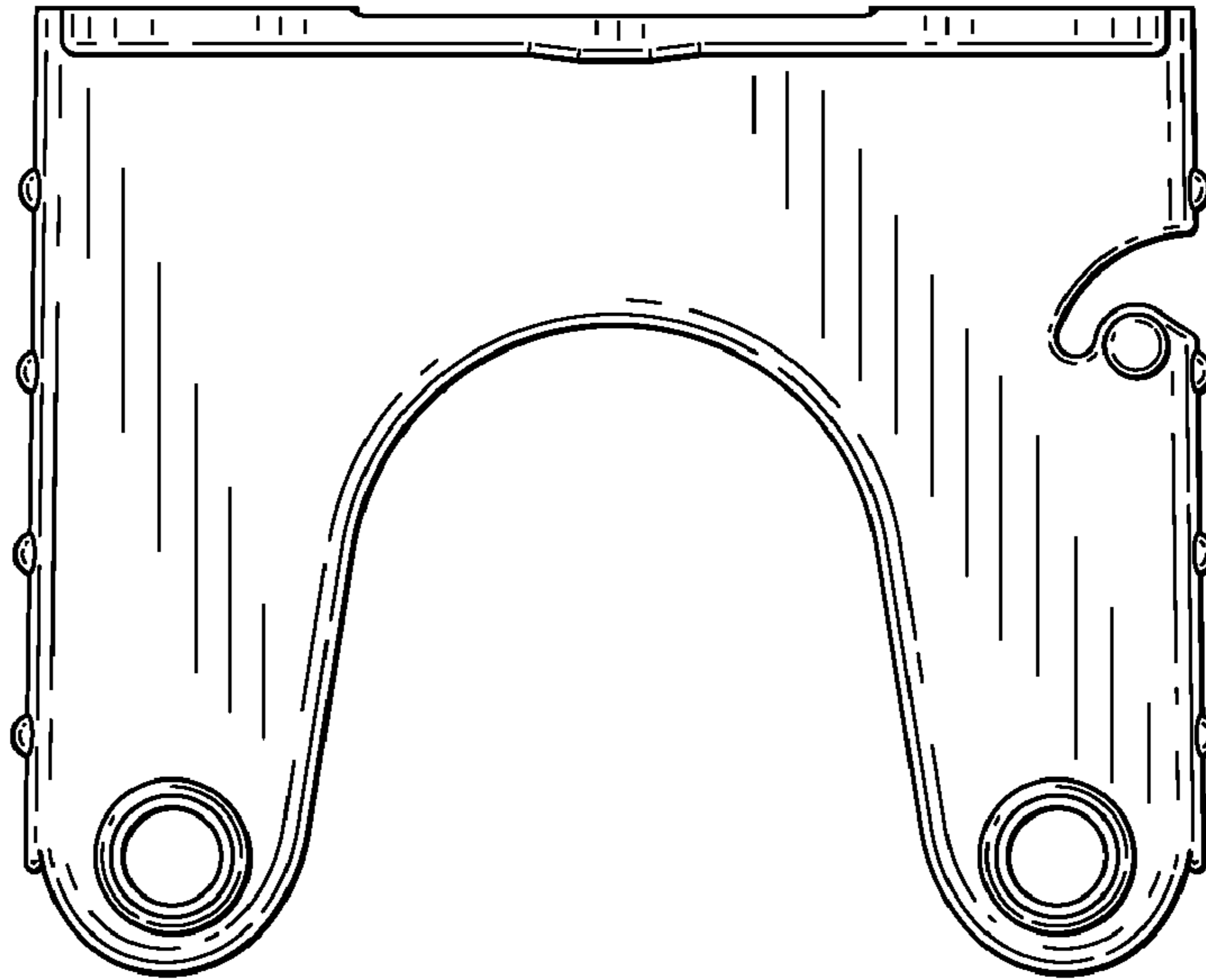


FIG. 4

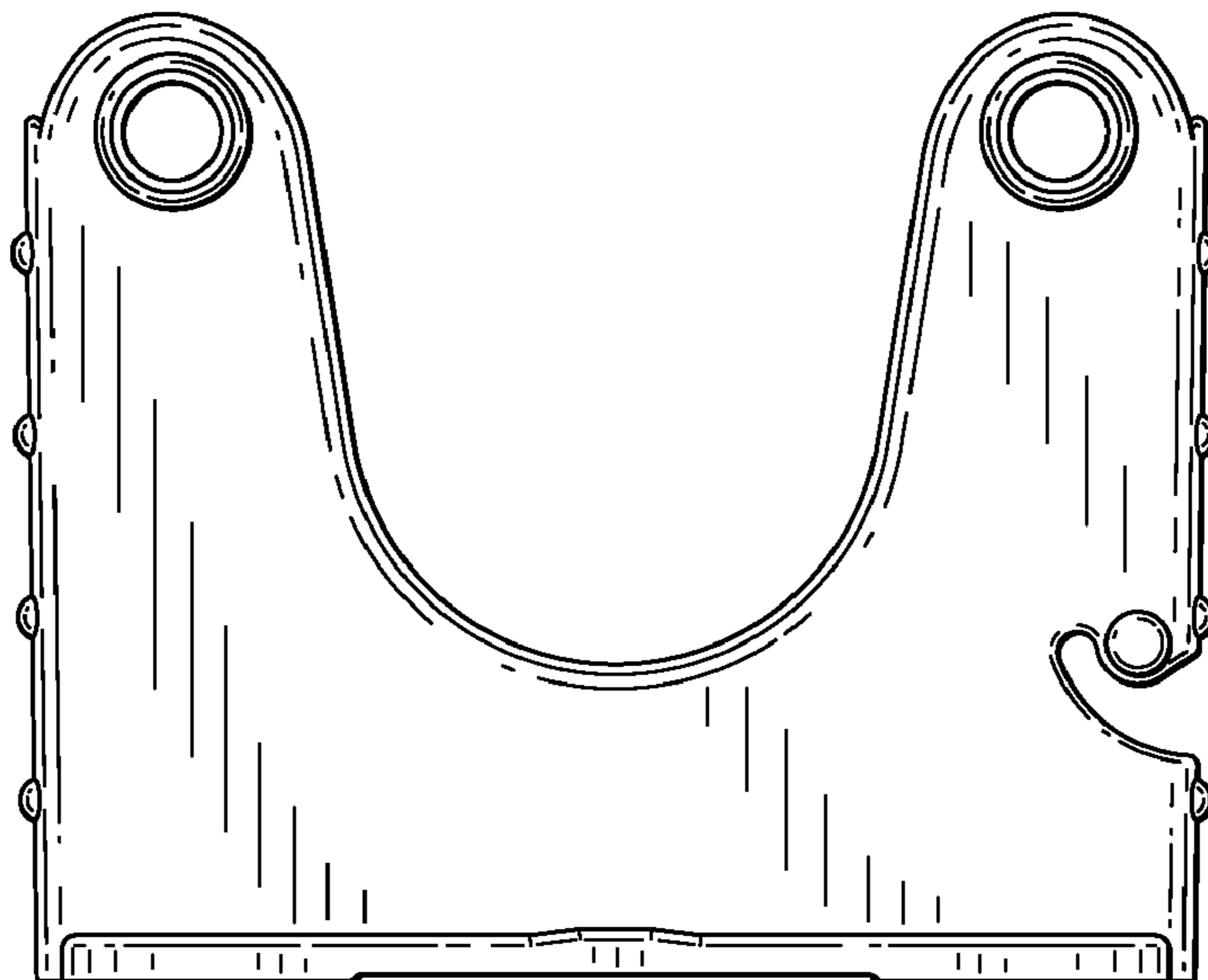


FIG. 5

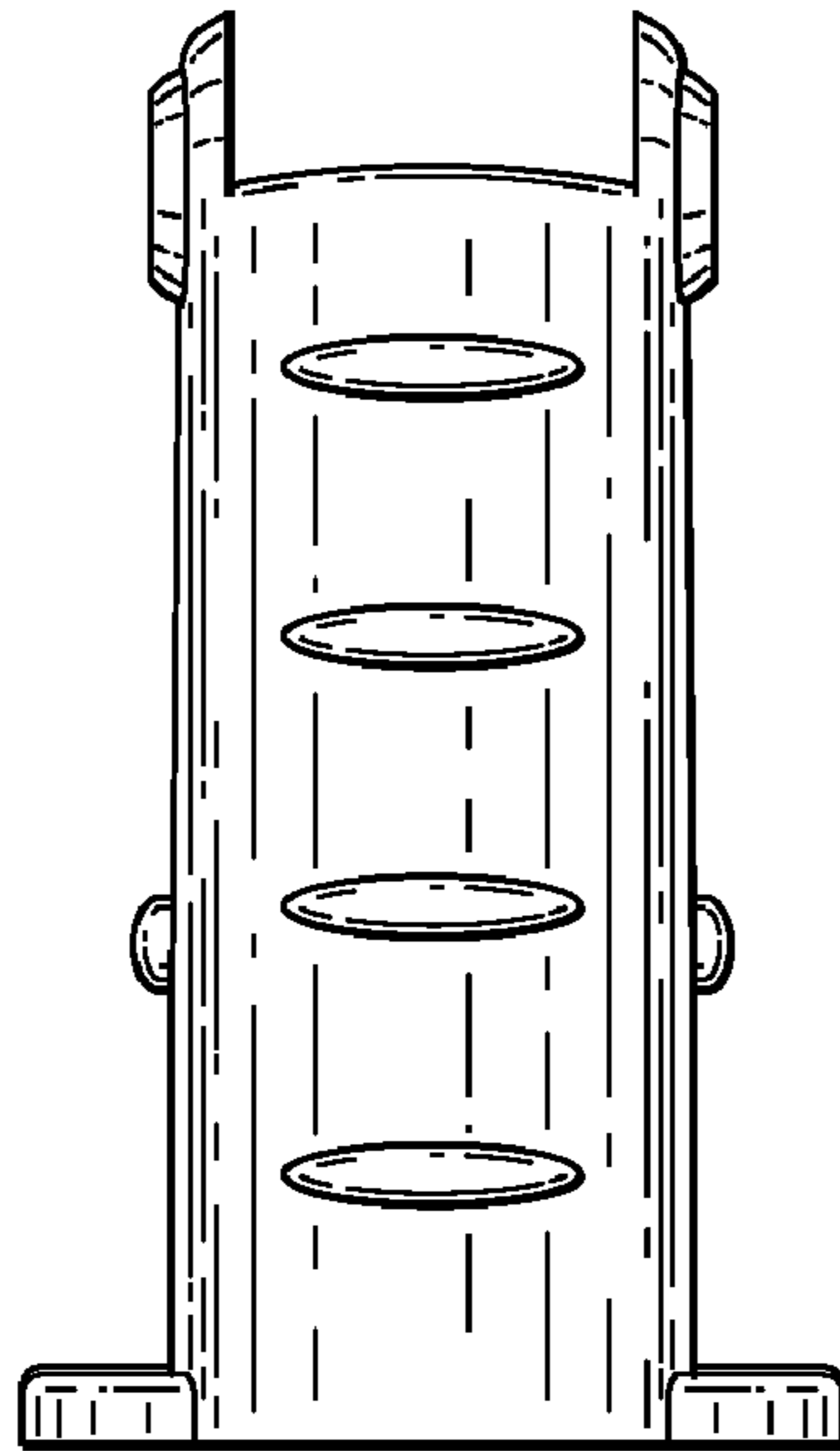


FIG. 6

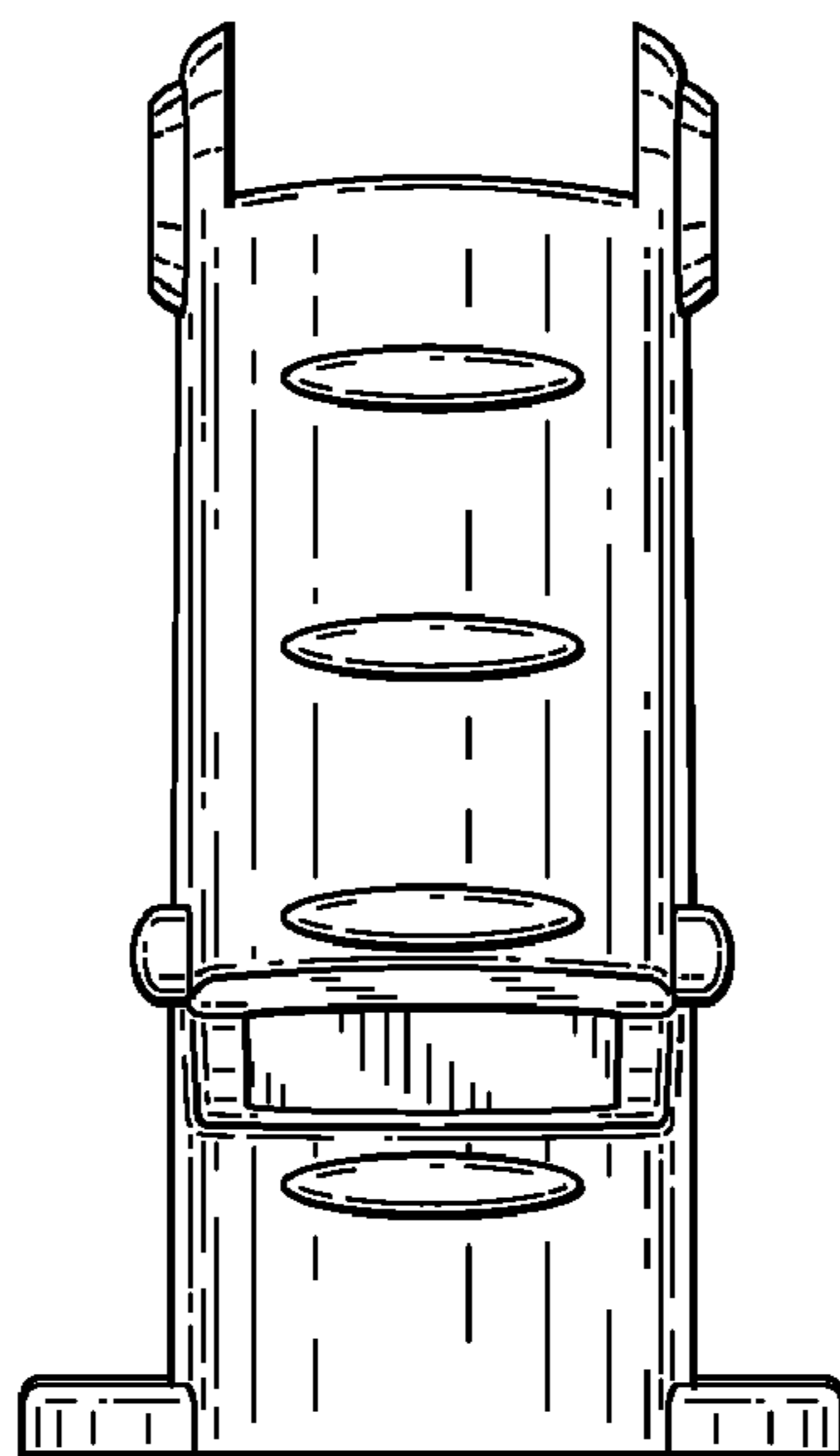


FIG. 7

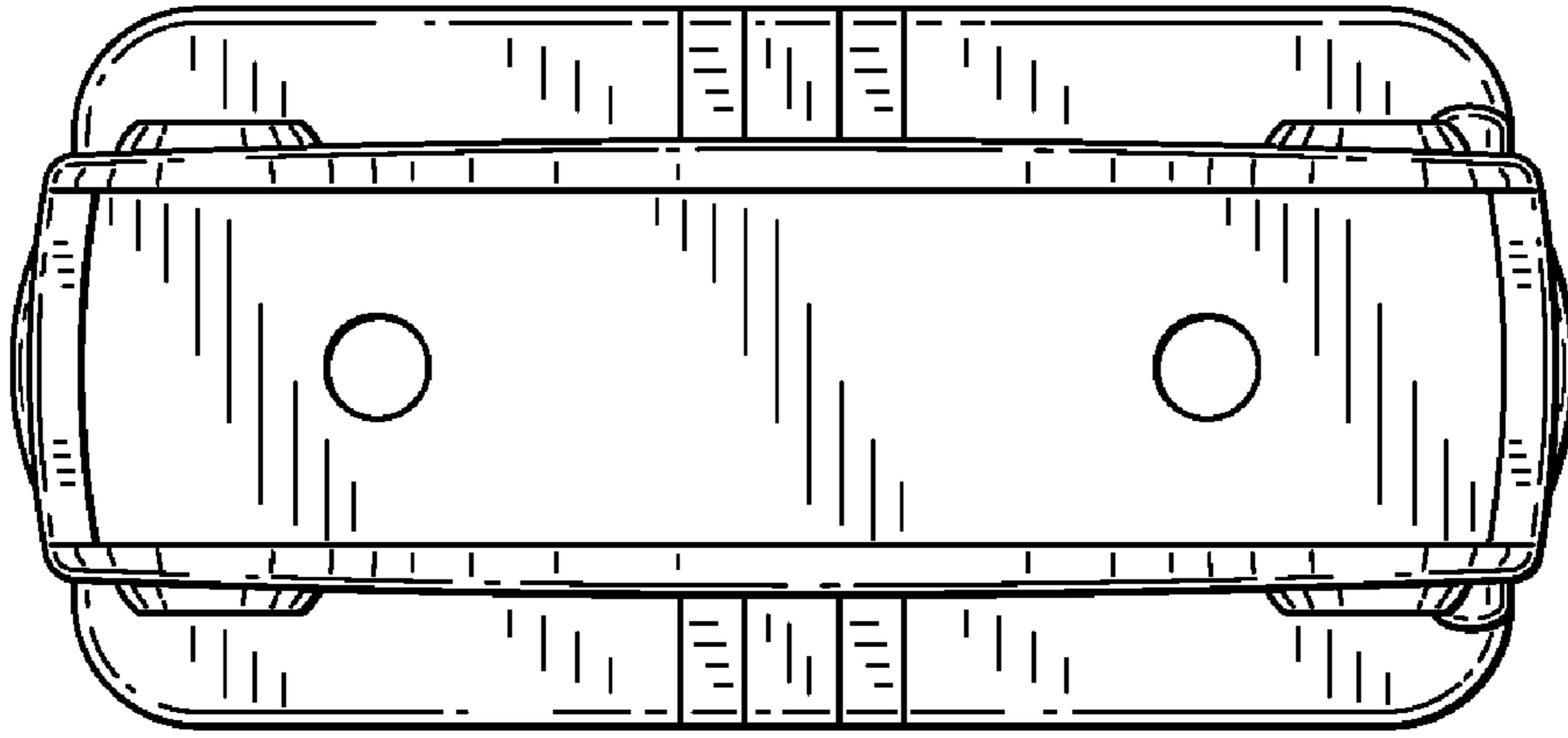


FIG. 8

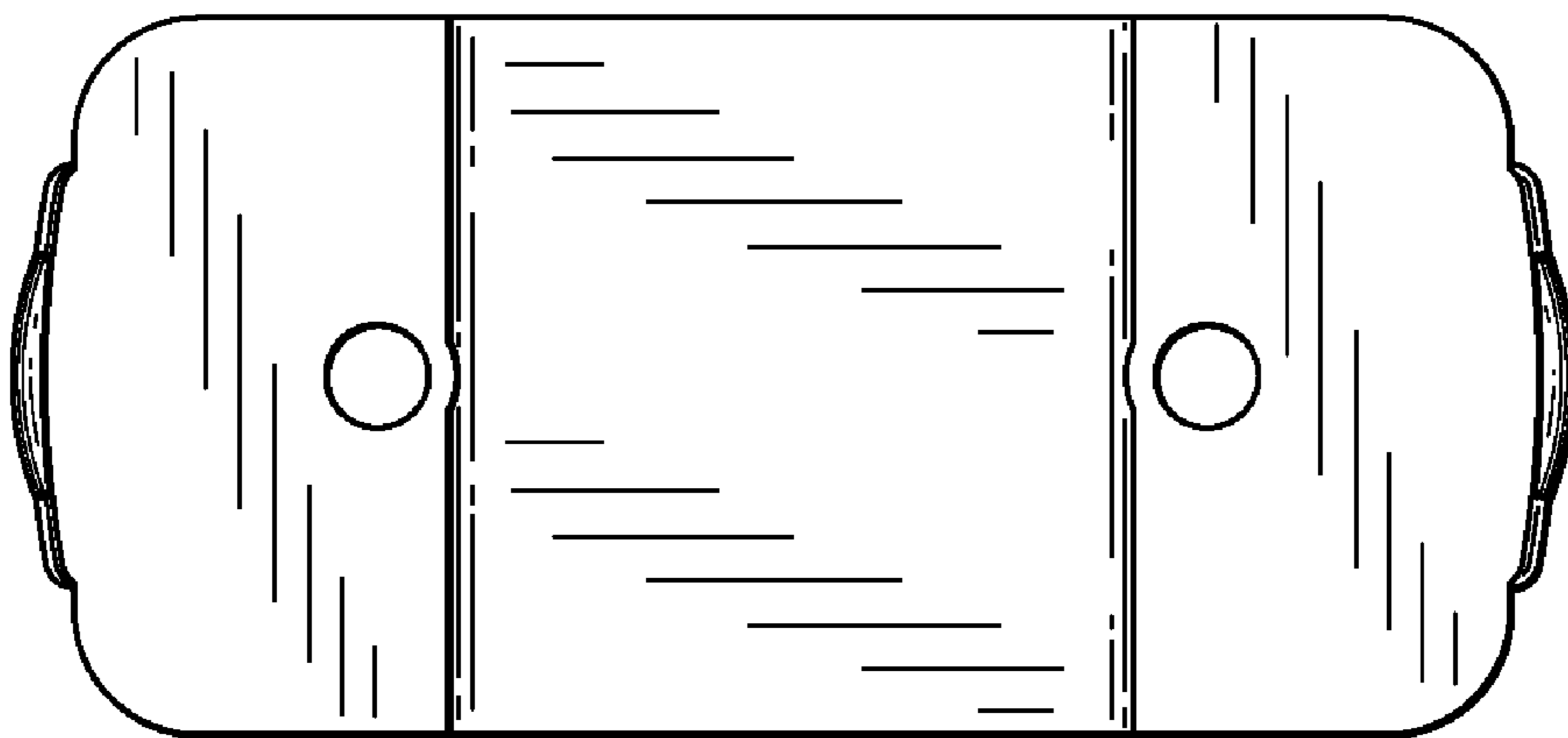


FIG. 9