



US00D636656S

(12) **United States Design Patent**
Schaefer et al.

(10) **Patent No.:** **US D636,656 S**
(45) **Date of Patent:** **** *Apr. 26, 2011**

(54) **SINGLE JAW INTERLOCKING SUPPORT POST**

5,470,139 A * 11/1995 Hsiao 312/140
5,471,809 A 12/1995 Frankel
5,647,185 A 7/1997 Forlini
5,647,650 A * 7/1997 Daugherty et al. 312/265.1

(75) Inventors: **Richard F. Schaefer**, Fort Lupton, CO (US); **David Kreutzman**, Louisville, CO (US); **Don N. Tamm**, Lafayette, CO (US)

(Continued)

FOREIGN PATENT DOCUMENTS

(73) Assignee: **D Three Enterprises, LLC**, Lafayette, CO (US)

CA 616268 3/1961

(Continued)

(**) Term: **14 Years**

OTHER PUBLICATIONS

(21) Appl. No.: **29/362,775**

U.S. Appl. No. 12/700,667 filed Feb. 4, 2010; First Named Inventor: Richard F. Schaefer. Copy not provided as application is available in IFW system per 37 CFR 1.98(a)(2)(iii).

(22) Filed: **May 29, 2010**

Primary Examiner — Doris Clark

Related U.S. Application Data

(74) *Attorney, Agent, or Firm* — Margaret Polson; Oppedahl Patent Law Firm LLC

(62) Division of application No. 29/331,174, filed on Jan. 21, 2009, now Pat. No. Des. 617,174.

(51) **LOC (9) Cl.** **08-05**

(52) **U.S. Cl.** **D8/354; D25/122**

(58) **Field of Classification Search** D8/381, D8/354; 403/173, 217; 312/265.5, 265.1, 312/265.2, 108; D25/122
See application file for complete search history.

(57) **CLAIM**

The ornamental design for a single jaw interlocking support post, as shown and described.

(56) **References Cited**

DESCRIPTION

U.S. PATENT DOCUMENTS

626,607 A 6/1899 Gentner
1,517,199 A 11/1924 Luhring
2,605,074 A 7/1952 Buckso et al.
D207,665 S 5/1967 Deskey
4,021,977 A 5/1977 Deike
4,320,608 A 3/1982 Deike
4,322,572 A * 3/1982 Snyder 174/368
4,553,358 A 11/1985 Deike
5,176,348 A 1/1993 Gale
5,201,159 A 4/1993 Goranson et al.
5,395,081 A 3/1995 Vollink
5,404,682 A 4/1995 West
5,438,782 A 8/1995 Belobraydich et al.

FIG. 1 is a top plan view of the single jaw interlocking support post, the bottom plan view being identical thereto.

FIG. 2 is a front elevation view thereof.

FIG. 3 is a right side elevation view the left side being identical thereto.

FIG. 4 is a rear elevation view thereof.

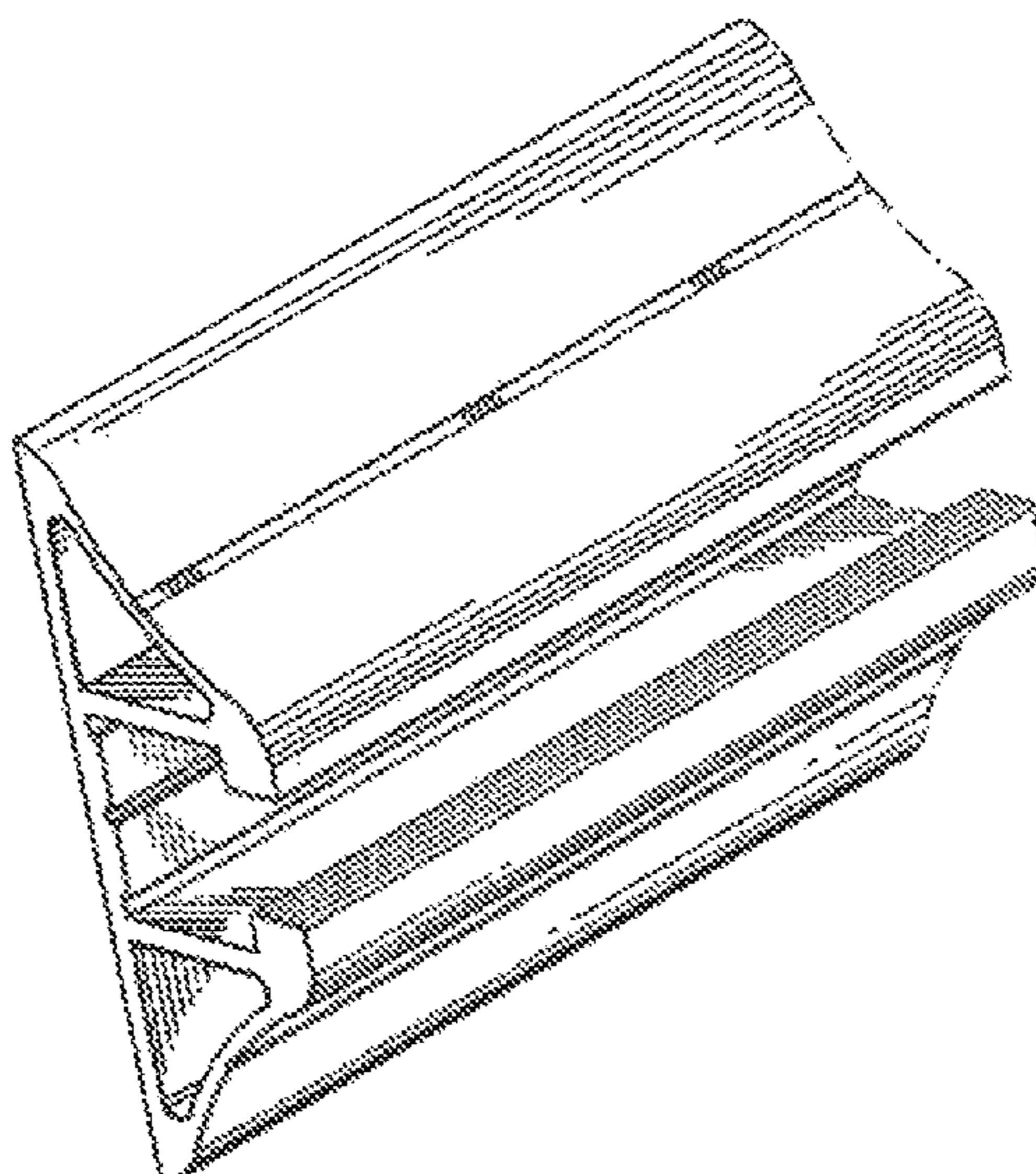
FIG. 5 is a bottom plan view of a second embodiment of the single jaw interlocking support post, the top plan view being identical thereof. The only difference being the addition of threads for screws to the facing surfaces.

FIG. 6 is a top, front perspective view of the single jaw interlocking support post in FIG. 1; and,

FIG. 7 is a top, front perspective view of the second embodiment.

The broken lines indicate indeterminate length.

1 Claim, 1 Drawing Sheet



US D636,656 S

Page 2

U.S. PATENT DOCUMENTS

5,695,263 A * 12/1997 Simon et al. 312/265.4
5,715,760 A * 2/1998 Frascaroli et al. 108/50.02
5,848,502 A 12/1998 Schaefer
5,894,702 A 4/1999 Stenekes
D415,847 S 10/1999 Schaefer
D459,975 S * 7/2002 Dinh et al. D8/354
6,658,808 B1 12/2003 Doherty et al.
6,840,372 B2 3/2005 Giles et al.
6,862,857 B2 3/2005 Tychsen
6,907,703 B2 6/2005 Gonzalez

D547,637 S 7/2007 Blacker
D617,174 S 6/2010 Schaefer et al.
2006/0261063 A1 11/2006 Dyehouse
2007/0151191 A1 7/2007 August
2007/0204548 A1 9/2007 Gagne
2008/0299868 A1 12/2008 Chungpaiboon

FOREIGN PATENT DOCUMENTS

CA 1005987 3/1977

* cited by examiner

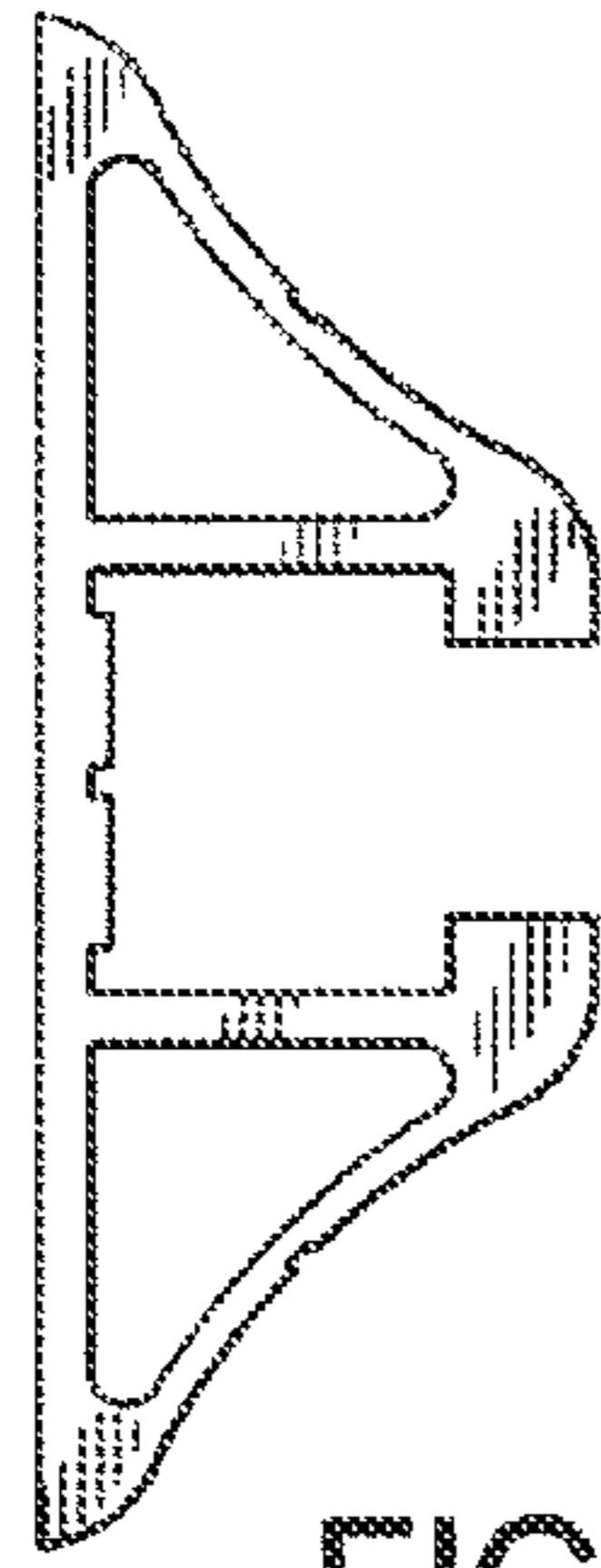


FIG. 1

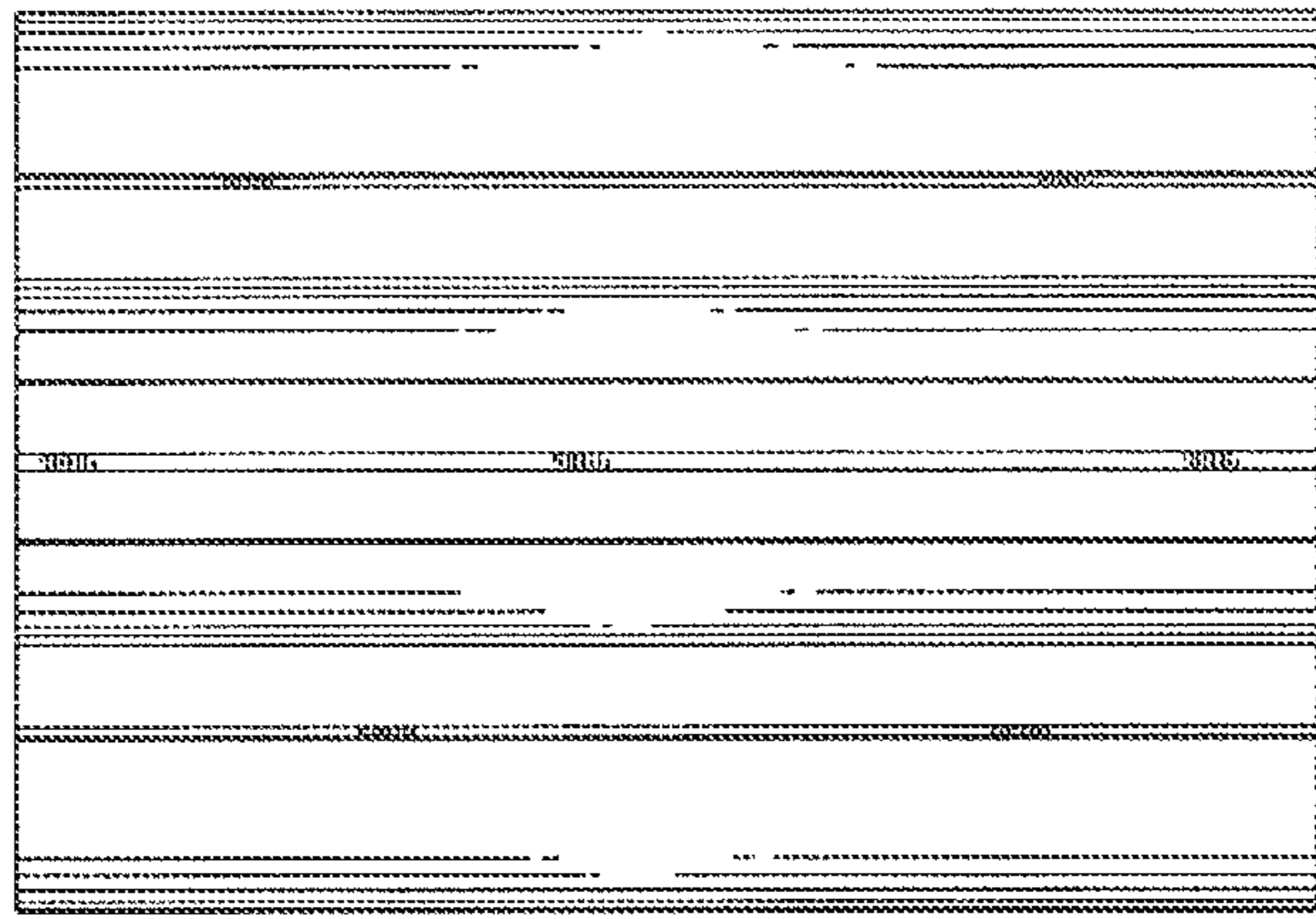


FIG. 2

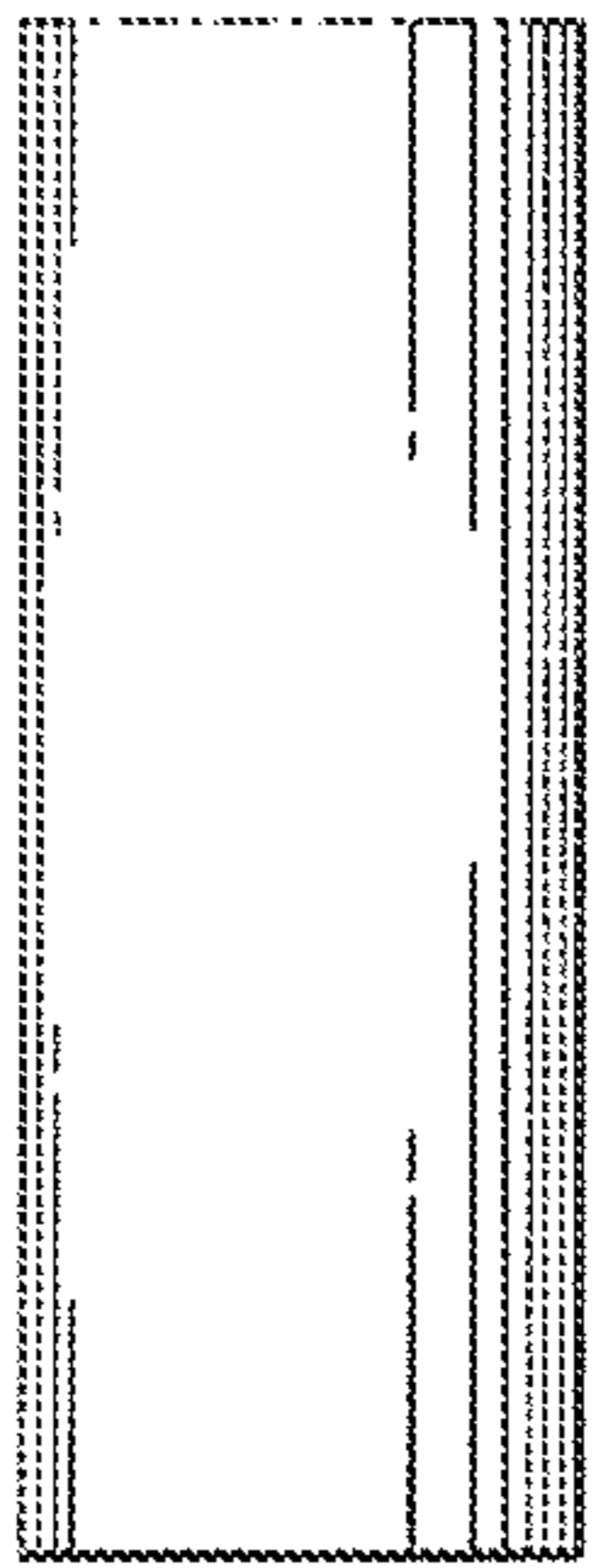


FIG. 3

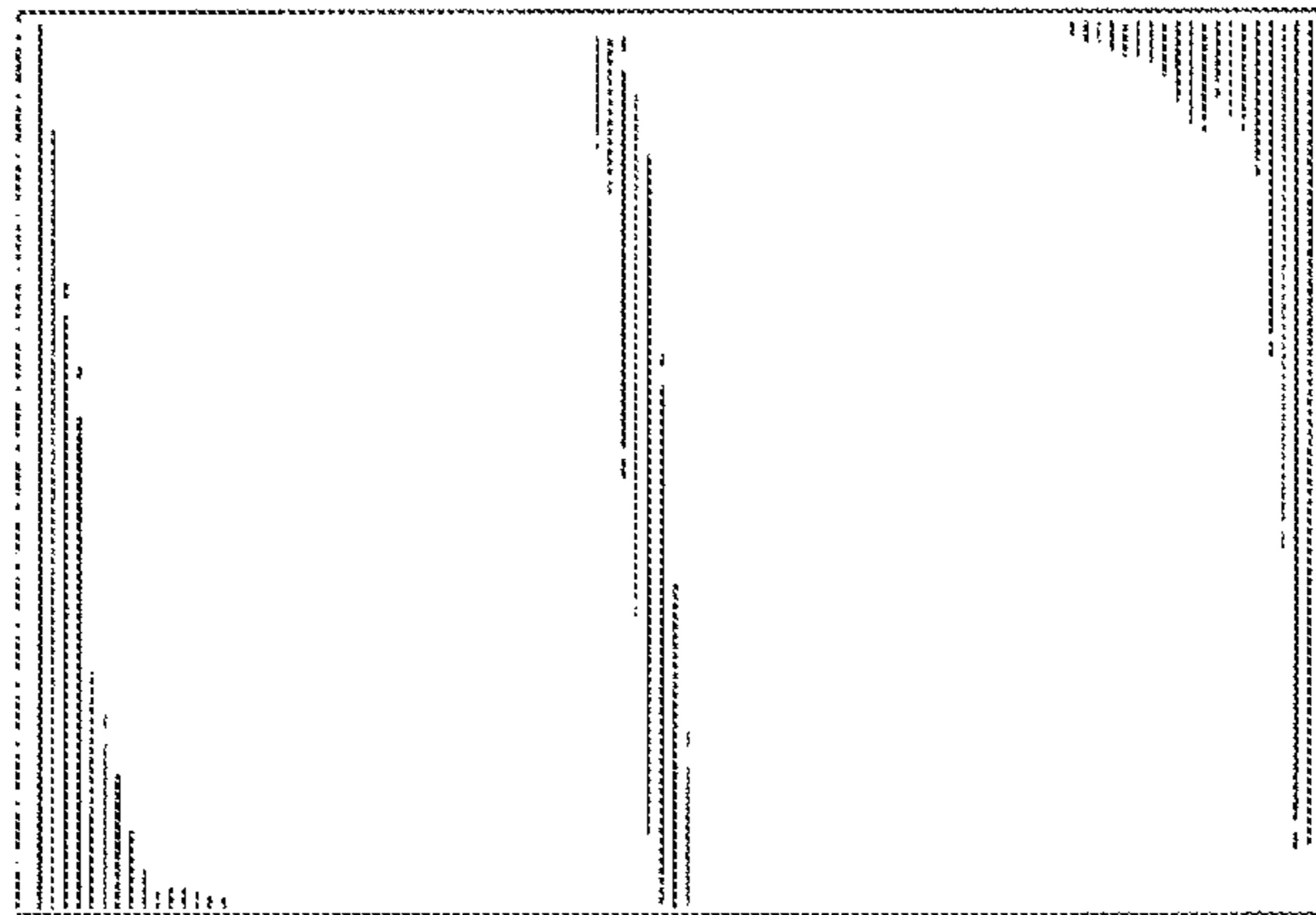


FIG. 4

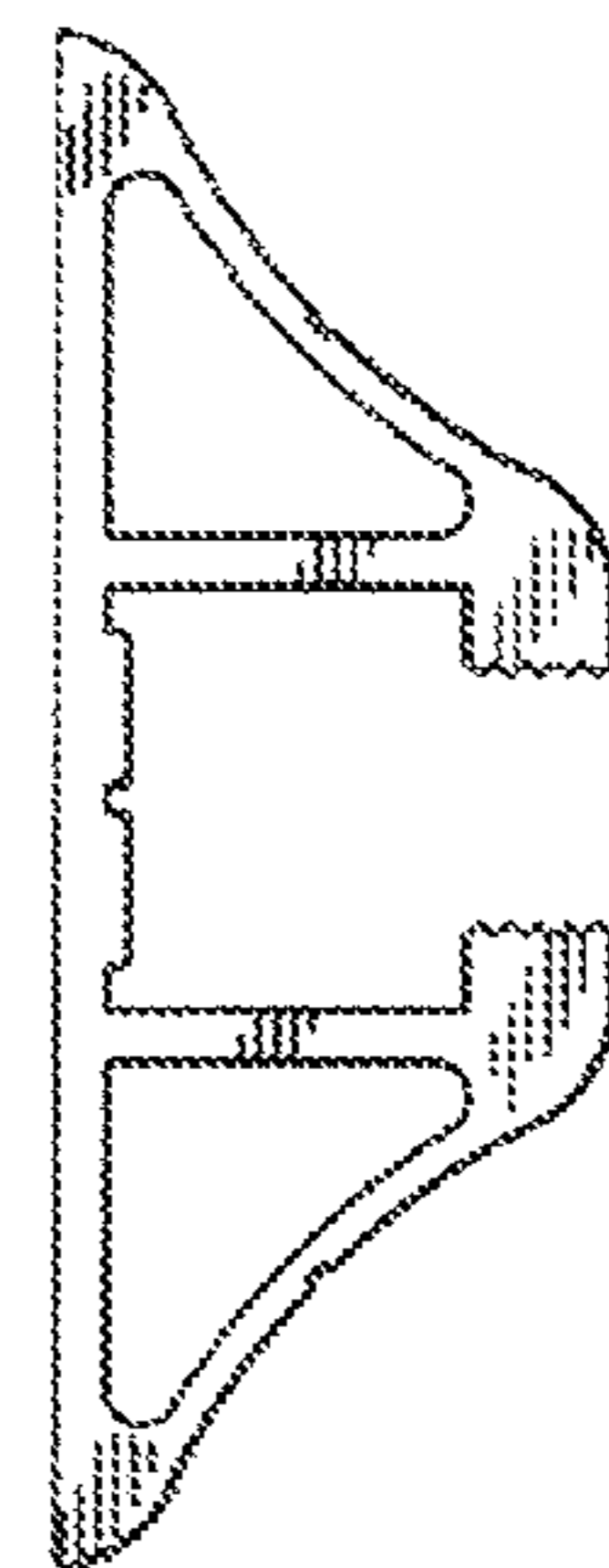


FIG. 5

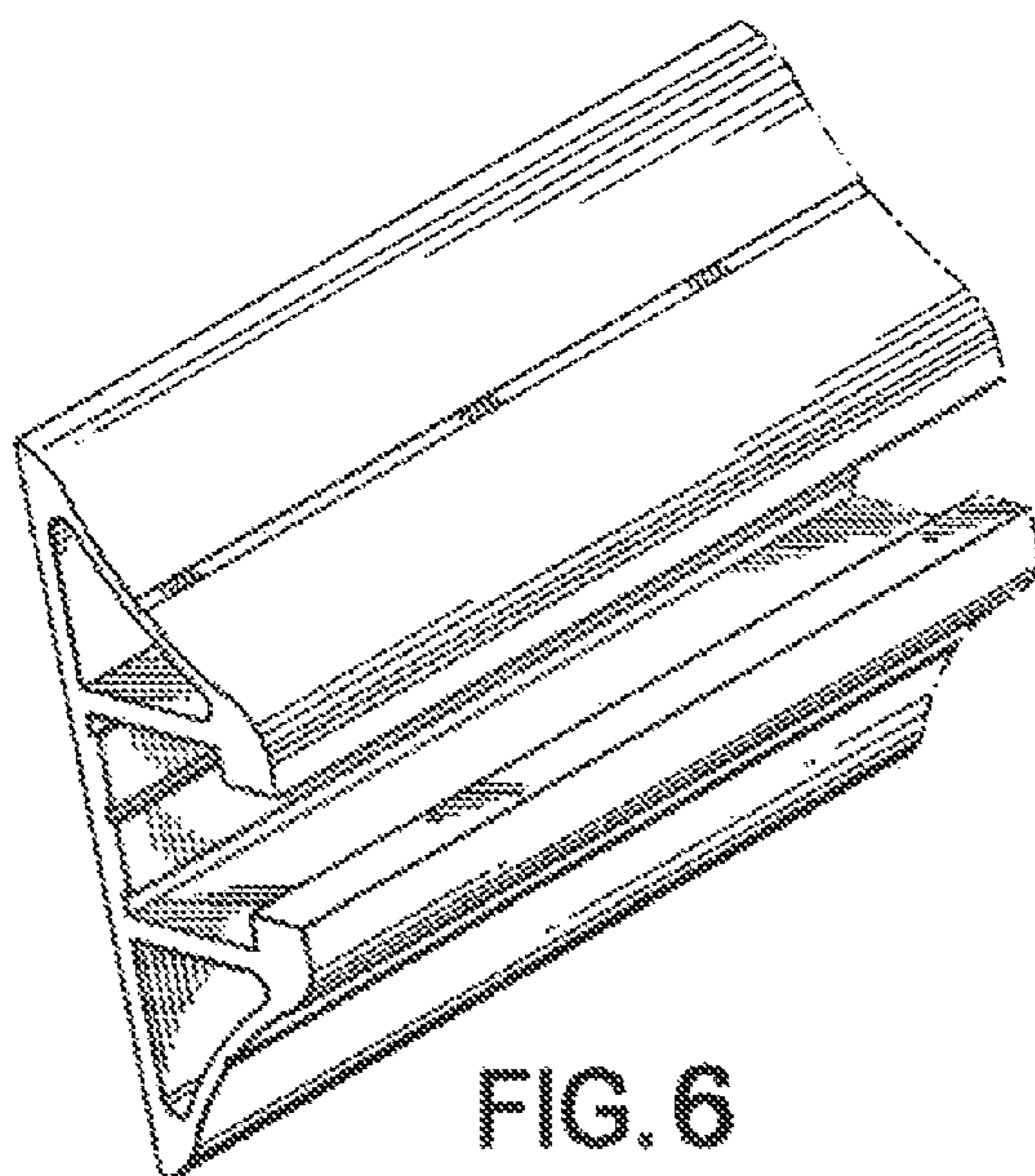


FIG. 6

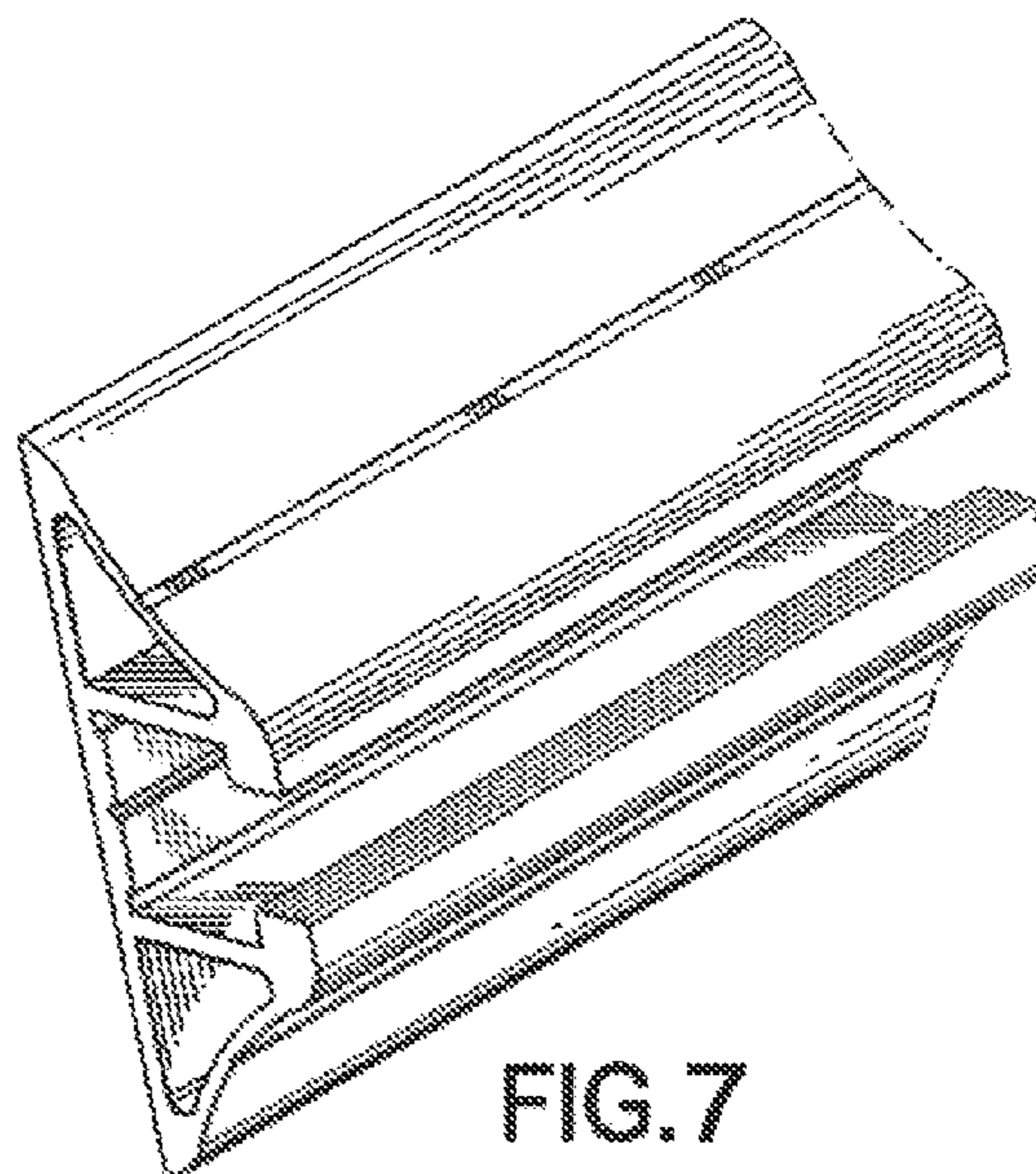


FIG. 7