

US00D636654S

(12) **United States Design Patent**
Robinson et al.

(10) **Patent No.:** **US D636,654 S**

(45) **Date of Patent:** **** *Apr. 26, 2011**

(54) **SCREWDRIVER HANDLE**

(75) Inventors: **Glenn Robinson**, Coral Springs, FL
(US); **Michael Garcia**, Oakland Park,
FL (US)

(73) Assignee: **IBT Holdings, LLC**, Deerfield Beach,
FL (US)

(*) Notice: This patent is subject to a terminal dis-
claimer.

(**) Term: **14 Years**

(21) Appl. No.: **29/301,624**

(22) Filed: **Mar. 11, 2008**

(51) **LOC (9) Cl.** **08-04**

(52) **U.S. Cl.** **D8/83**

(58) **Field of Classification Search** D8/82,
D8/83, 84, 85, 86, 87, 107; 81/177.1, 436,
81/437, 438, 439, 489; 16/433, 110.1
See application file for complete search history.

(56) **References Cited**

U.S. PATENT DOCUMENTS

4,951,533	A	*	8/1990	Hillinger	81/177.1
D384,263	S	*	9/1997	Lin	D8/83
D419,846	S	*	2/2000	Hasan	D8/83
D424,904	S	*	5/2000	Hasan	D8/83

D454,477	S	*	3/2002	Lin	D8/83
D487,690	S	*	3/2004	Hu	D8/83
D513,378	S	*	1/2006	Lin	D8/83
D516,893	S	*	3/2006	Kuo	D8/83
D531,005	S	*	10/2006	Chang	D8/107
D531,006	S	*	10/2006	Tsai	D8/107

* cited by examiner

Primary Examiner — Phillip S Hyder

Assistant Examiner — Roselynn Cody

(74) *Attorney, Agent, or Firm* — Dan DeLaRosa

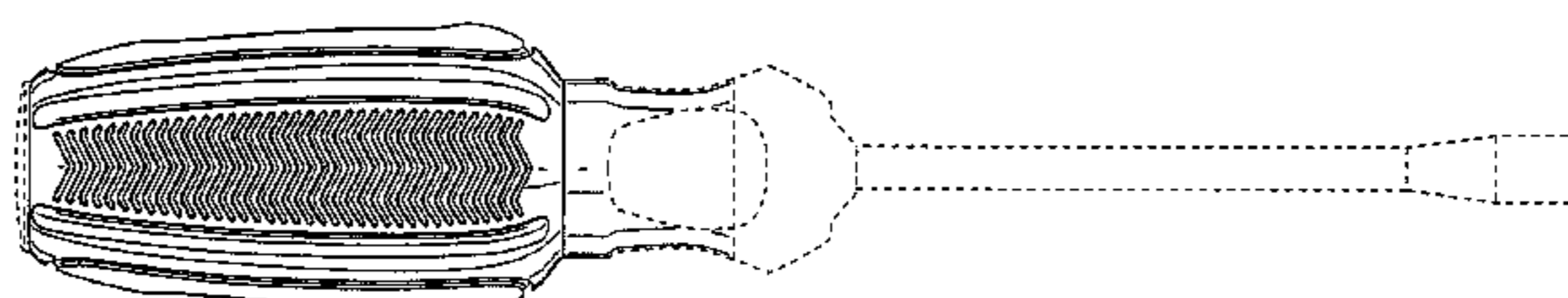
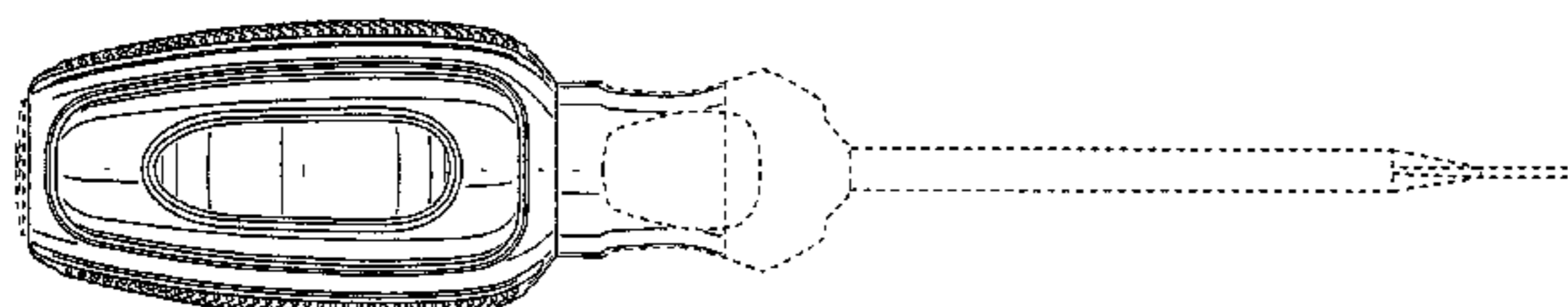
(57) **CLAIM**

The ornamental design for a screwdriver handle, as shown
and described.

DESCRIPTION

FIG. 1 is a front perspective view of the screwdriver handle of
the present invention showing my new design;
FIG. 2 is a front side elevational view thereof;
FIG. 3 is a top plan view thereof;
FIG. 4 is a side elevational view thereof;
FIG. 5 is a back side elevational view thereof;
FIG. 6 is another side elevational view thereof;
FIG. 7 is a bottom plan view thereof; and,
FIG. 8 is a rear perspective view of the screwdriver handle.
The features shown in broken lines are for illustrative pur-
poses and form no part of the claimed design.

1 Claim, 8 Drawing Sheets



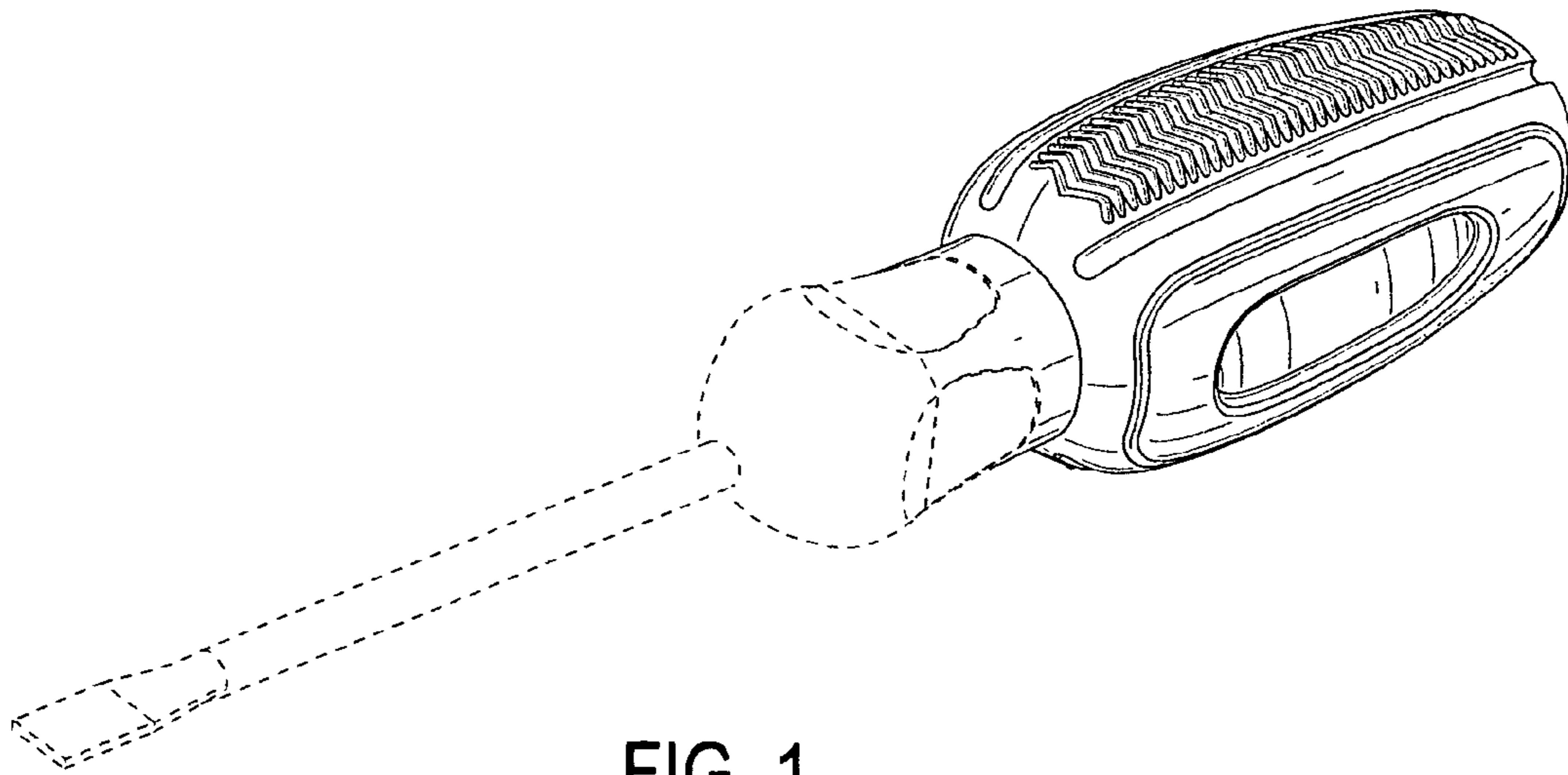


FIG. 1

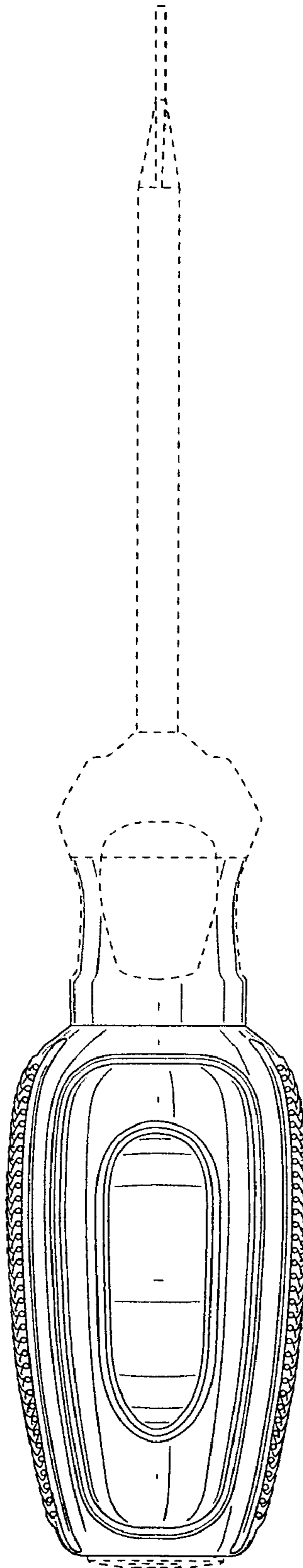


FIG. 2

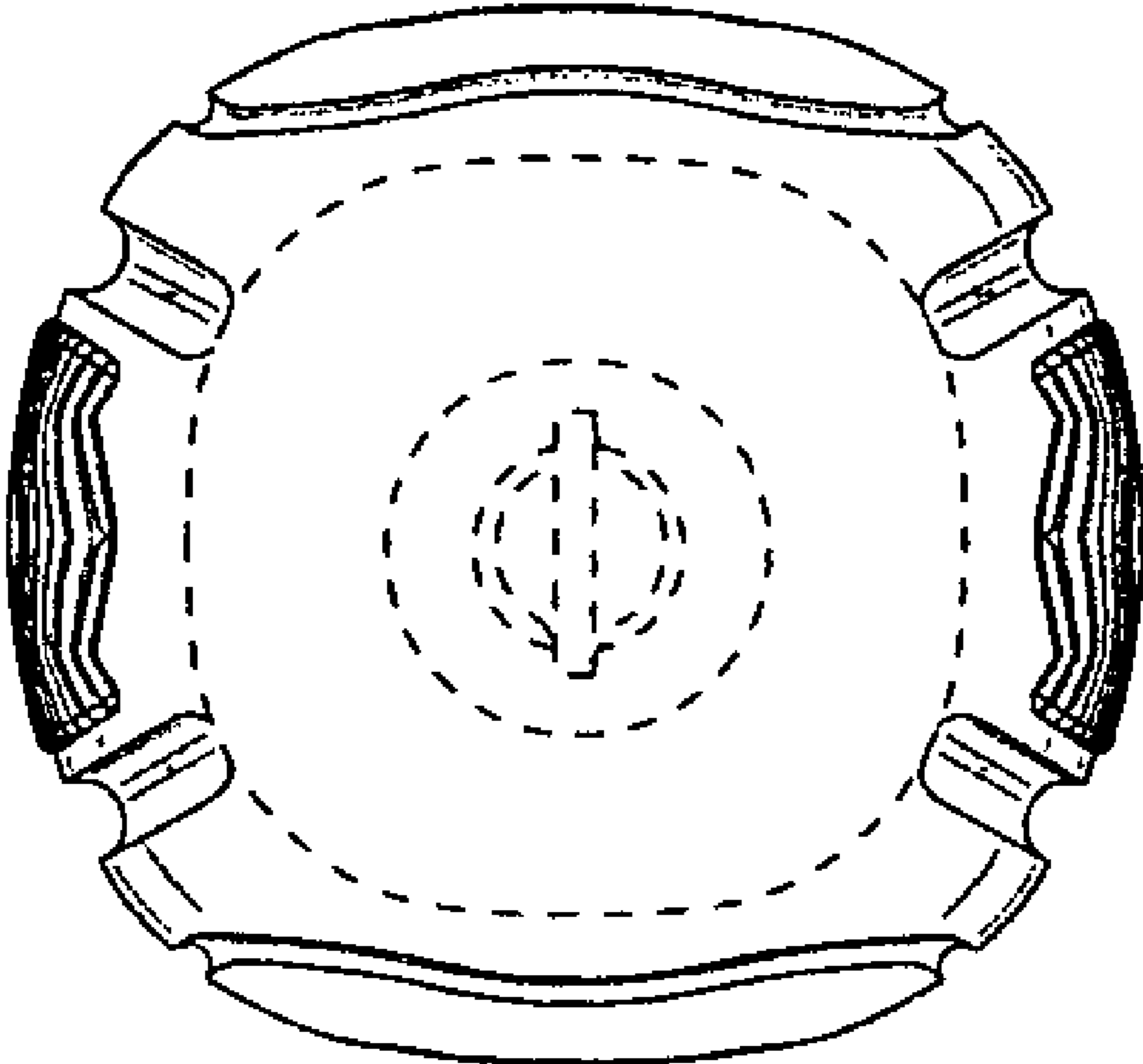


FIG. 3

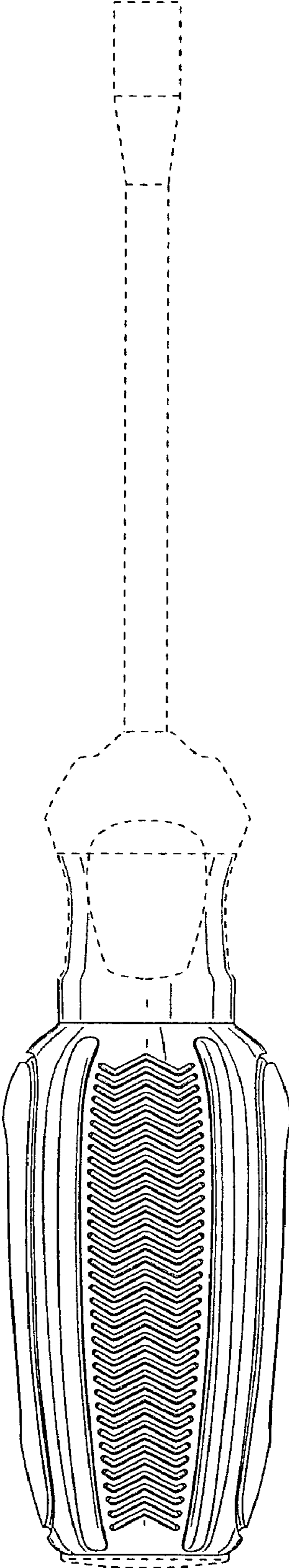


FIG. 4

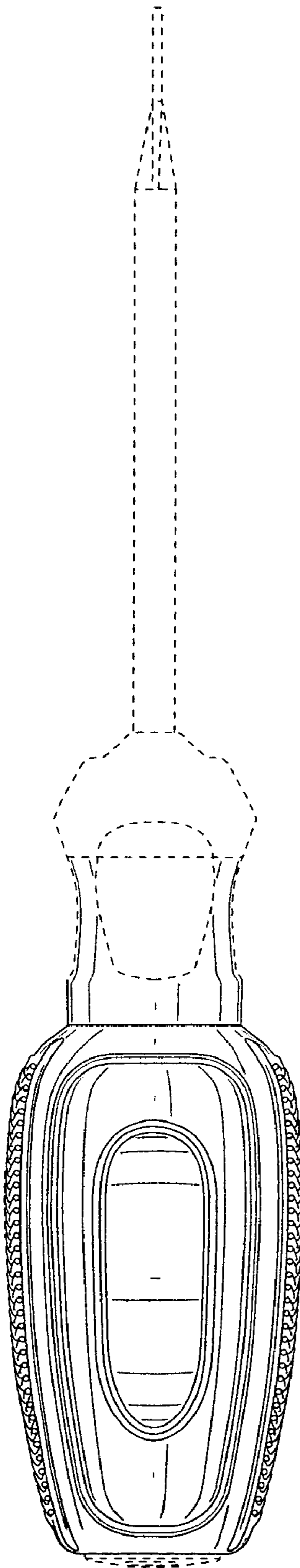


FIG. 5

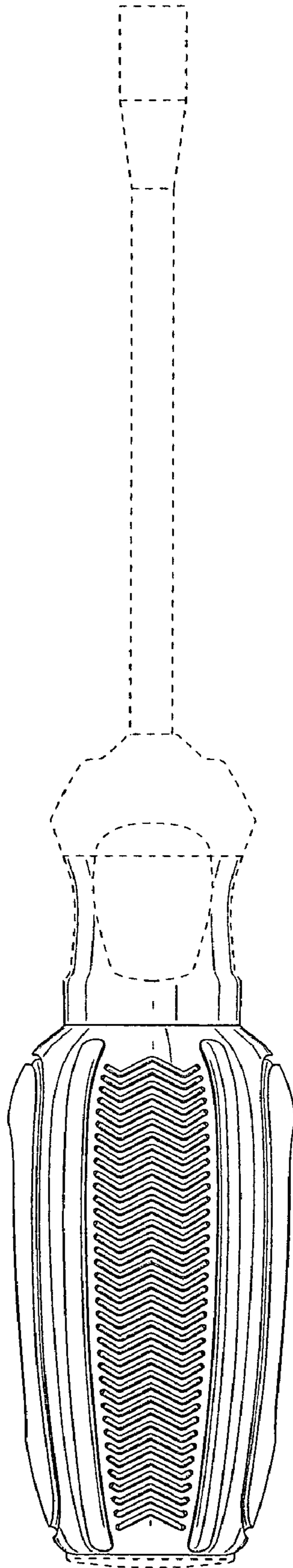


FIG. 6

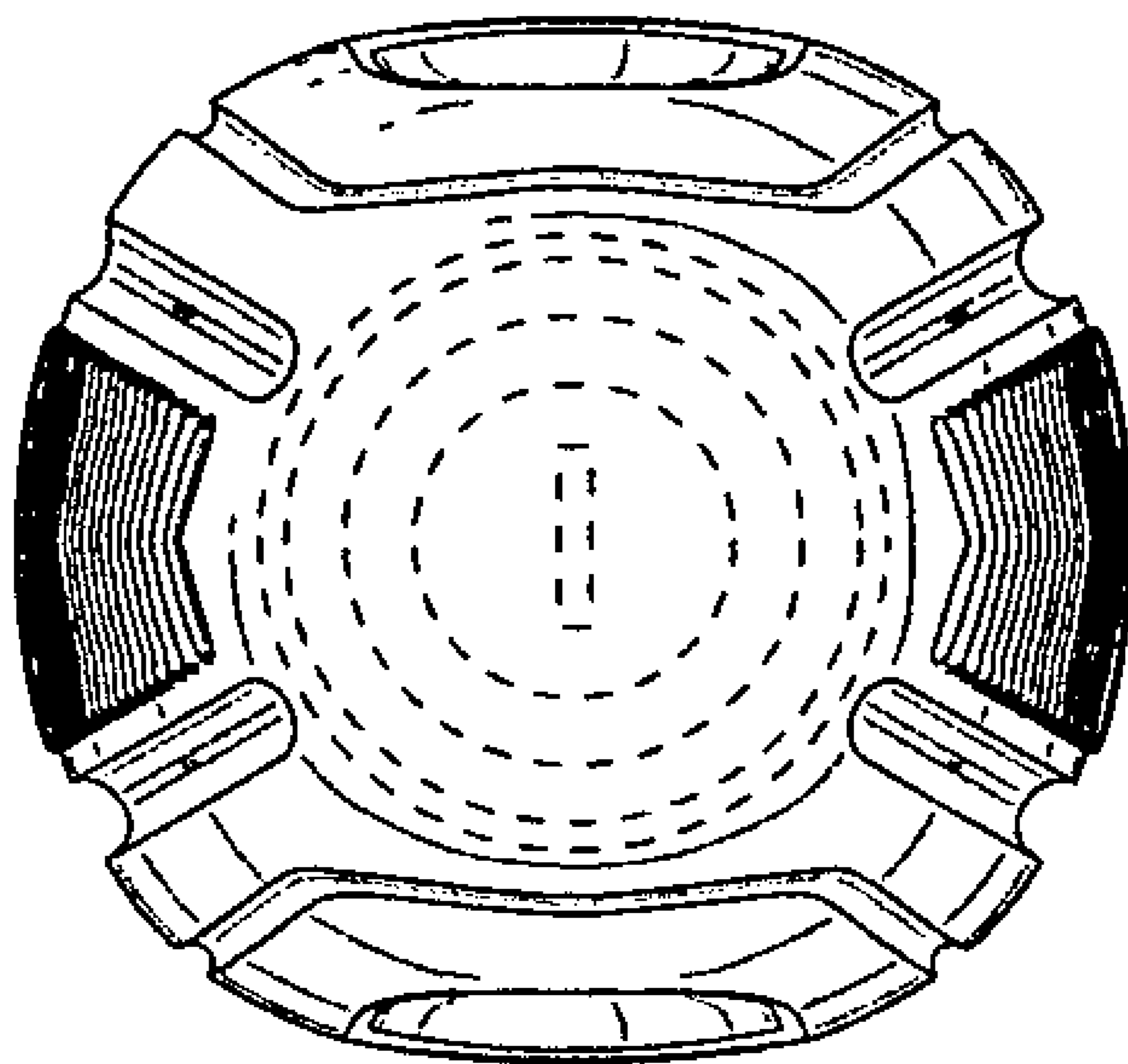


FIG. 7

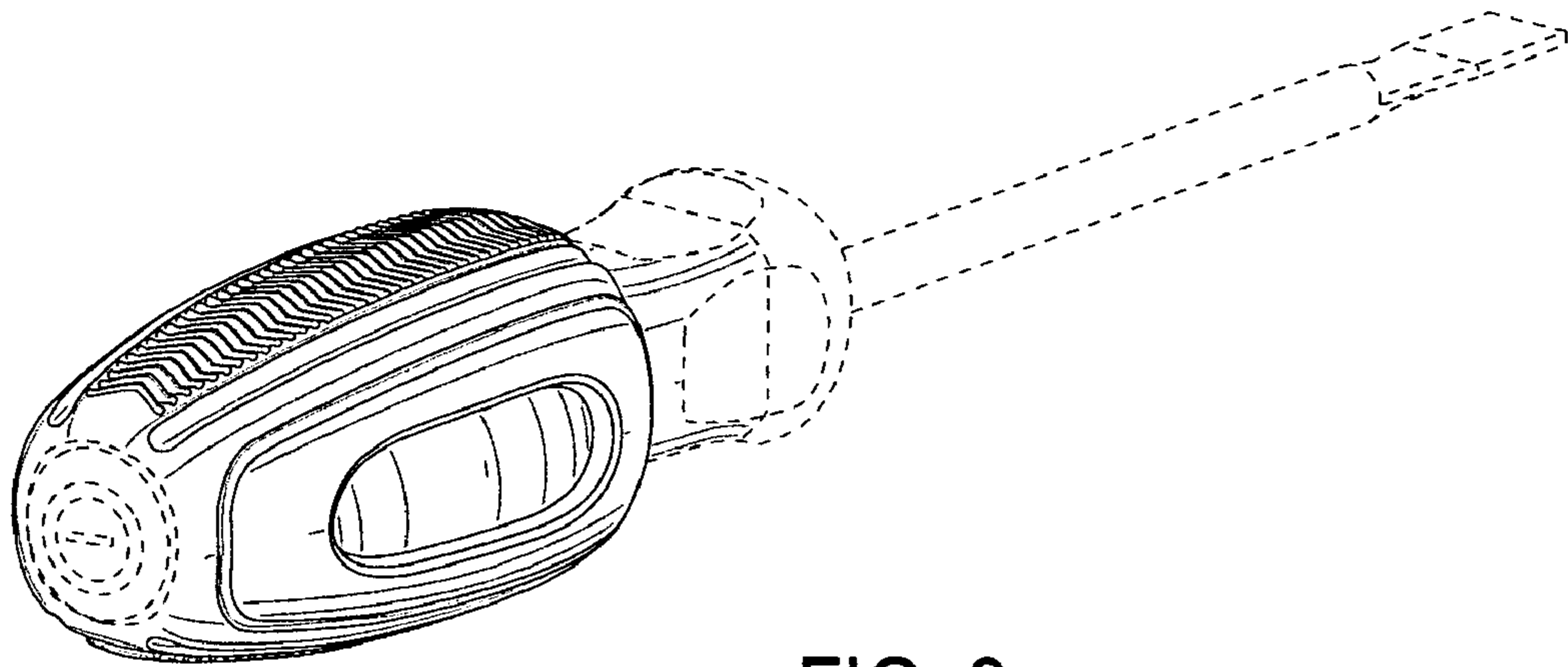


FIG. 8