



US00D636651S

(12) **United States Design Patent**  
**Wang et al.**

(10) **Patent No.:** **US D636,651 S**  
(45) **Date of Patent:** **\*\* Apr. 26, 2011**

(54) **SOCKET FOR A SOCKET WRENCH**

(75) Inventors: **Qiang Wang**, Shanghai (CN); **Hua An Xu**, Shanghai (CN)

(73) Assignee: **Meridian International Co., Ltd.** (CN)

(\*\*) Term: **14 Years**

(21) Appl. No.: **29/379,727**

(22) Filed: **Nov. 23, 2010**

(30) **Foreign Application Priority Data**

Aug. 17, 2010 (CN) ..... 2010 2 0293908

(51) **LOC (9) Cl.** ..... **08-05**

(52) **U.S. Cl.** ..... **D8/29**

(58) **Field of Classification Search** ..... D8/17,  
D8/21-29, 354, 107; 81/60, 177.1, 177.85,  
81/121.1, 124.3, 165-170, 110.1, 176.2,  
81/124.6, 176.1, 176.15, 177.2, 186; 16/110.1;  
D15/144.1, 143; 219/75, 227, 229, 121.16,  
219/121.18

See application file for complete search history.

(56) **References Cited**

**U.S. PATENT DOCUMENTS**

|               |         |               |         |
|---------------|---------|---------------|---------|
| 4,259,883 A   | 4/1981  | Carlson       |         |
| 4,901,608 A   | 2/1990  | Shieh         |         |
| 5,076,121 A   | 12/1991 | Fosella       |         |
| 5,115,699 A * | 5/1992  | Mertens       | 81/59.1 |
| 5,178,047 A   | 1/1993  | Arnold et al. |         |
| 5,199,330 A   | 4/1993  | Arnold et al. |         |
| 5,199,335 A   | 4/1993  | Arnold et al. |         |
| 5,636,557 A   | 6/1997  | Ma            |         |
| 5,848,561 A   | 12/1998 | Hsieh         |         |
| 5,857,390 A   | 1/1999  | Whiteford     |         |
| 5,901,620 A   | 5/1999  | Arnold        |         |
| 6,000,302 A   | 12/1999 | Chiang        |         |
| 6,134,990 A   | 10/2000 | Ling et al.   |         |

|              |         |               |
|--------------|---------|---------------|
| 6,148,695 A  | 11/2000 | Hu            |
| 6,263,767 B1 | 7/2001  | Hu            |
| 6,282,991 B1 | 9/2001  | Hu            |
| 6,295,898 B1 | 10/2001 | Hsieh         |
| 6,301,998 B1 | 10/2001 | Hu            |
| 6,305,246 B1 | 10/2001 | Horvath       |
| 6,405,621 B1 | 6/2002  | Krivec et al. |
| 6,450,068 B1 | 9/2002  | Hu            |
| 6,453,779 B2 | 9/2002  | Hu            |
| 6,457,387 B1 | 10/2002 | Hu            |
| 6,481,315 B1 | 11/2002 | Chang et al.  |
| 6,568,299 B2 | 5/2003  | Hu            |
| 6,644,148 B2 | 11/2003 | Hu            |

(Continued)

**OTHER PUBLICATIONS**

Facom 464.JIPB Socket Set—Promotional piece of literature dated Sep. 2009.

(Continued)

*Primary Examiner* — Raphael Barkai

*Assistant Examiner* — Randall Gholson

(74) *Attorney, Agent, or Firm* — Jason R. Sytsma; Shuttleworth & Ingersoll, PLC

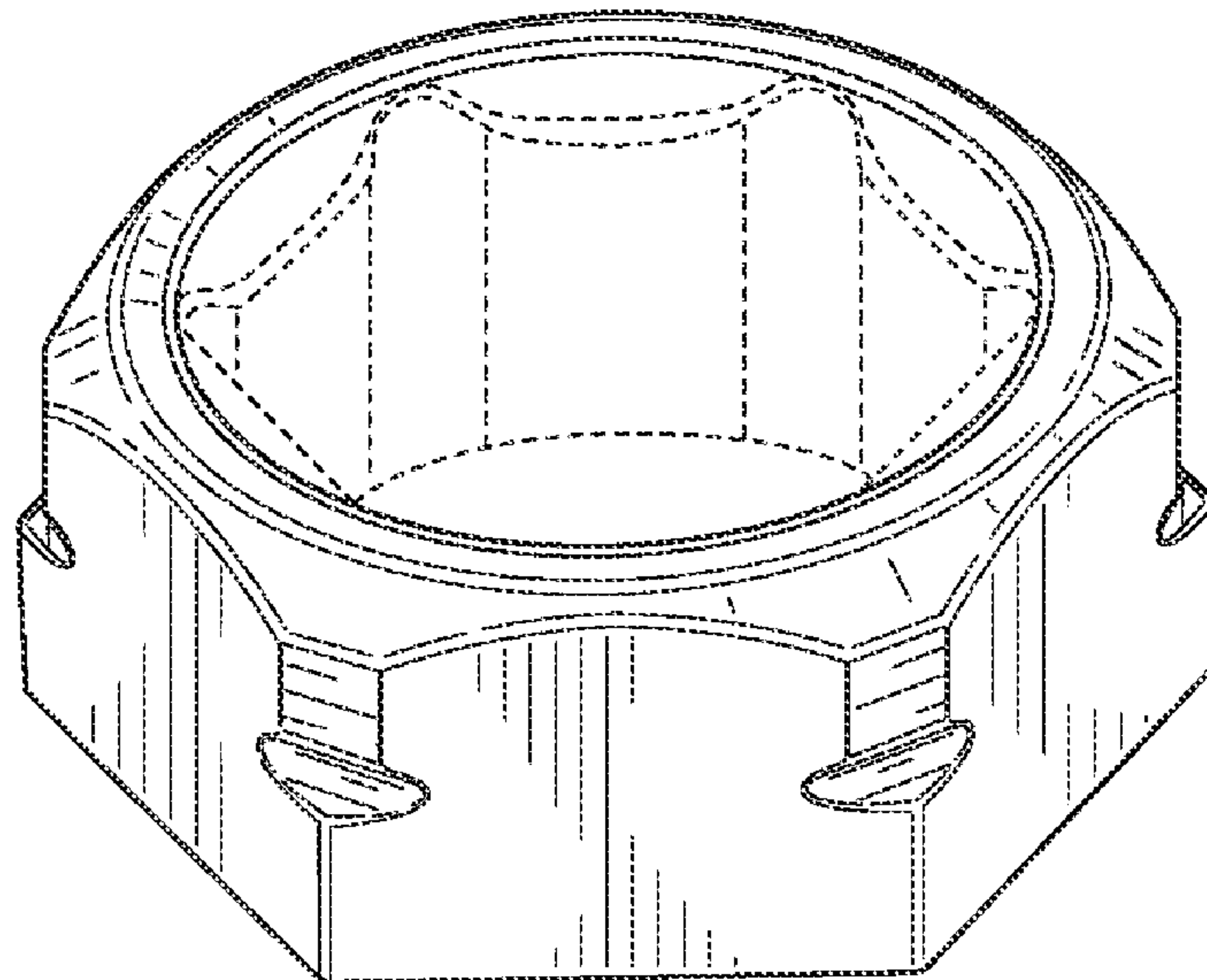
(57) **CLAIM**

The ornamental design for a socket for a socket wrench, as shown.

**DESCRIPTION**

FIG. 1 is a perspective view of a socket according to the invention illustrating the top and front side of the invention; FIG. 2 is a front elevation view of socket of FIG. 1; FIG. 3 is a back side elevation view of the socket of FIG. 1; FIG. 4 is a top elevation view of the socket of FIG. 1; and, FIG. 5 is a bottom elevation view of the socket of FIG. 1. Petitioner disclaims the shape and configuration of the features of those portions shown in broken lines.

**1 Claim, 2 Drawing Sheets**



# US D636,651 S

Page 2

## U.S. PATENT DOCUMENTS

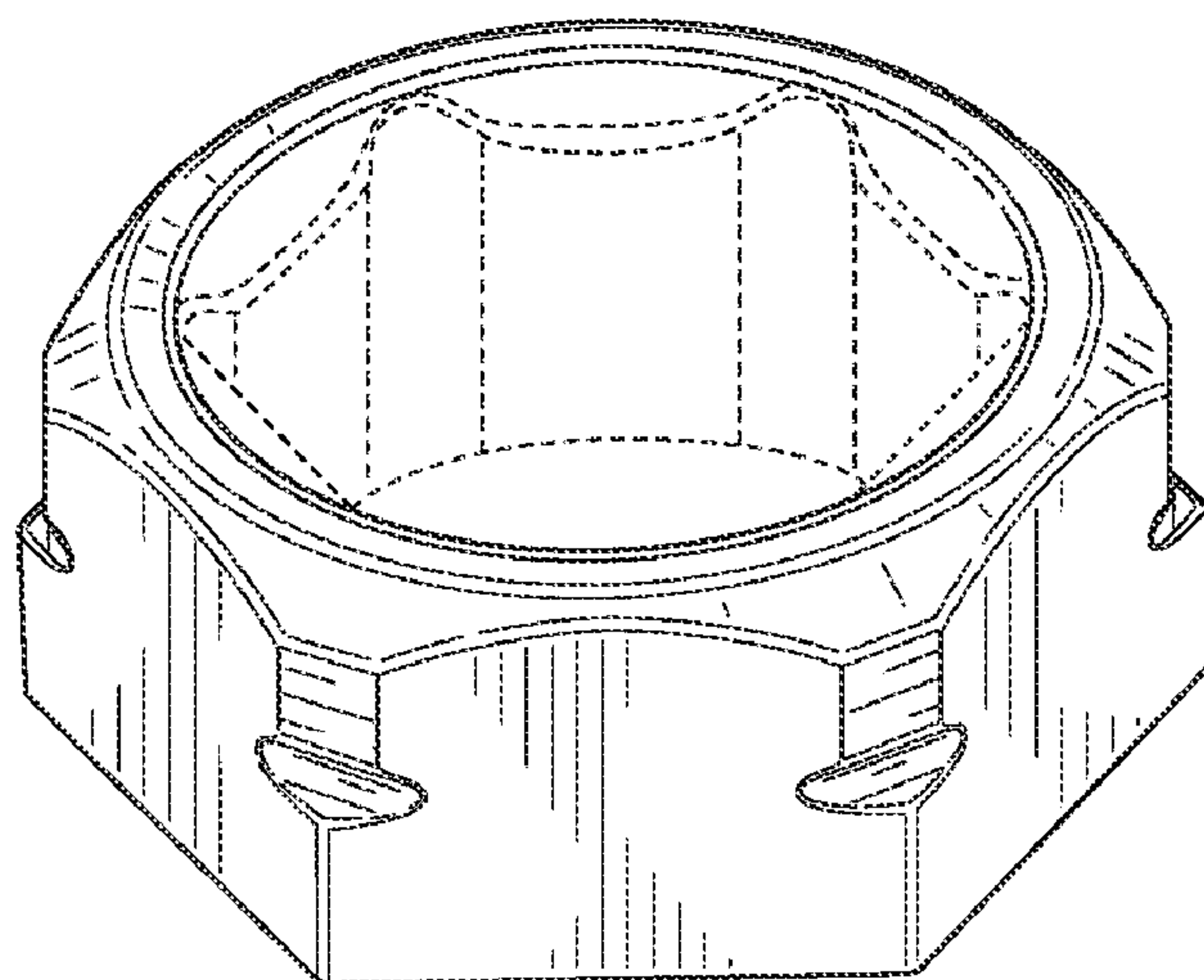
6,647,832 B2 11/2003 Hu  
6,722,234 B2 4/2004 Hu  
6,732,614 B2 5/2004 Hu  
6,769,328 B1 \* 8/2004 Patel et al. .... 81/59.1  
6,860,175 B2 3/2005 Hu  
6,918,323 B2 7/2005 Arnold et al.  
6,971,286 B2 12/2005 Hu  
7,051,623 B2 5/2006 Chaconas  
7,073,412 B1 7/2006 Arnold  
7,178,429 B2 \* 2/2007 Lin ..... 81/60  
7,185,566 B2 3/2007 Arnold et al.  
7,222,557 B2 5/2007 Li et al.  
7,231,851 B2 6/2007 Tuan-Mu  
7,311,019 B2 12/2007 Arnold et al.

7,318,366 B2 1/2008 Lee et al.  
7,478,577 B1 1/2009 Wheeler  
2003/0196522 A1 \* 10/2003 Hu ..... 81/63.2  
2005/0178247 A1 8/2005 Arnold et al.  
2005/0247167 A1 11/2005 Chaconas et al.  
2008/0092696 A1 4/2008 Arnold et al.

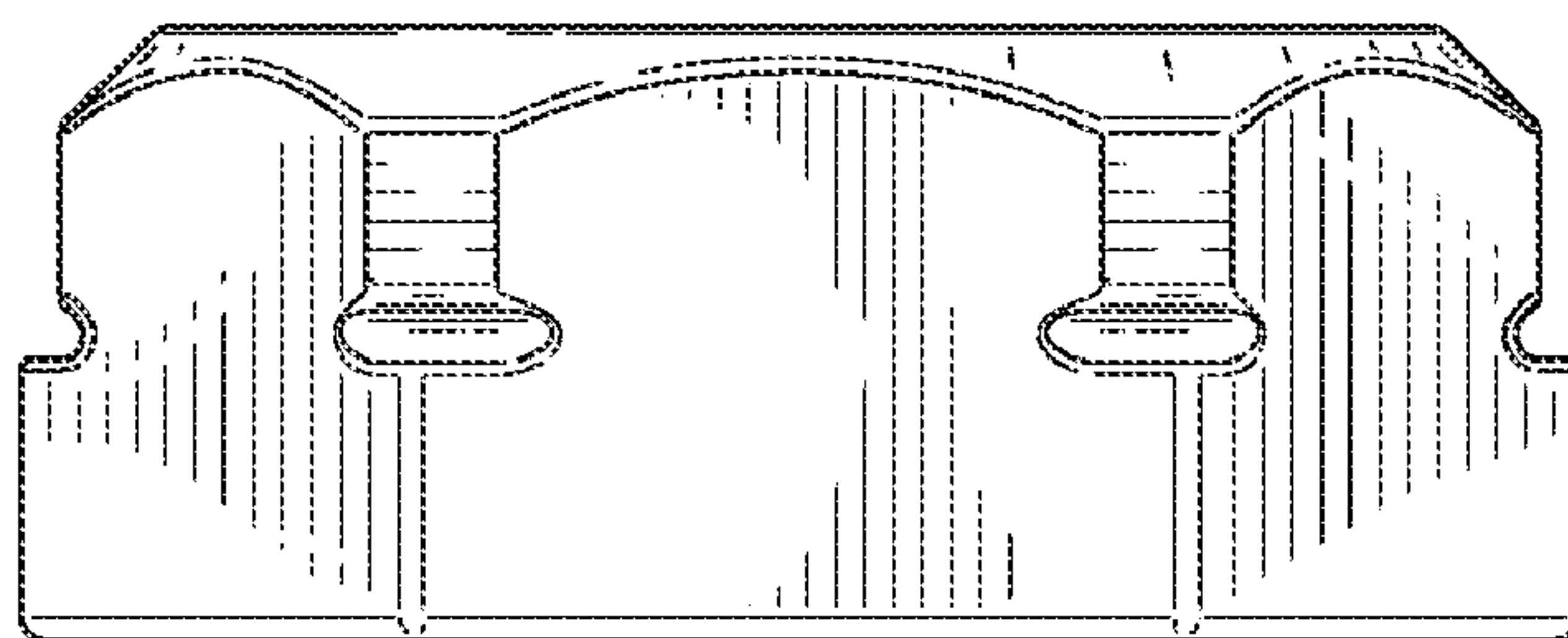
## OTHER PUBLICATIONS

Gearwrench—Magnetic Oil Drain Plug Sockets—Screen print from  
webpage [http://www.gearwrench.com/catalog/specialty\\_tools/  
magnetic\\_oil\\_drain\\_plug\\_sockets/](http://www.gearwrench.com/catalog/specialty_tools/magnetic_oil_drain_plug_sockets/).  
Smoos Tool Co., Ltd. Interchangeable Ratchet-Teeth Sockets—Pro-  
motional piece of literature.

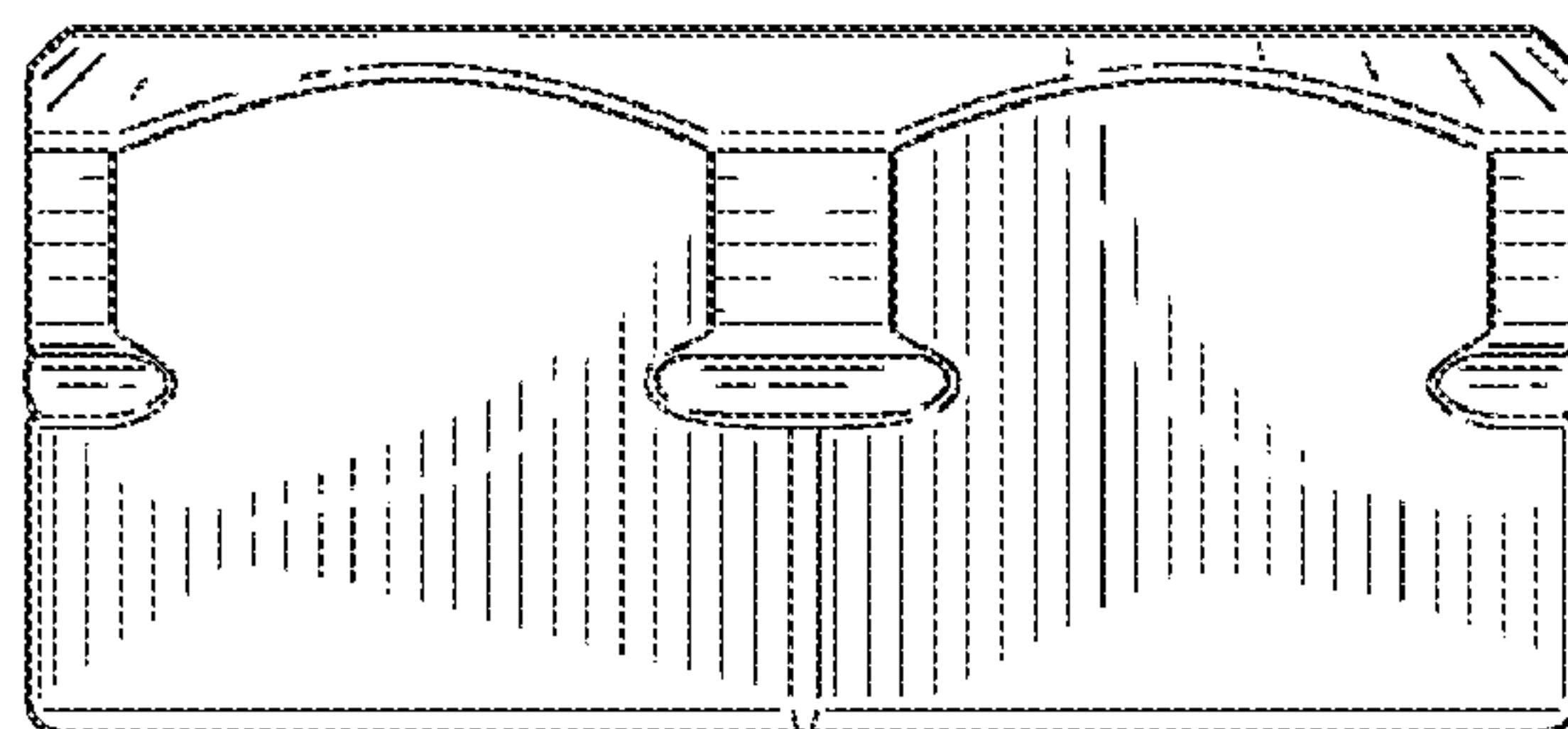
\* cited by examiner



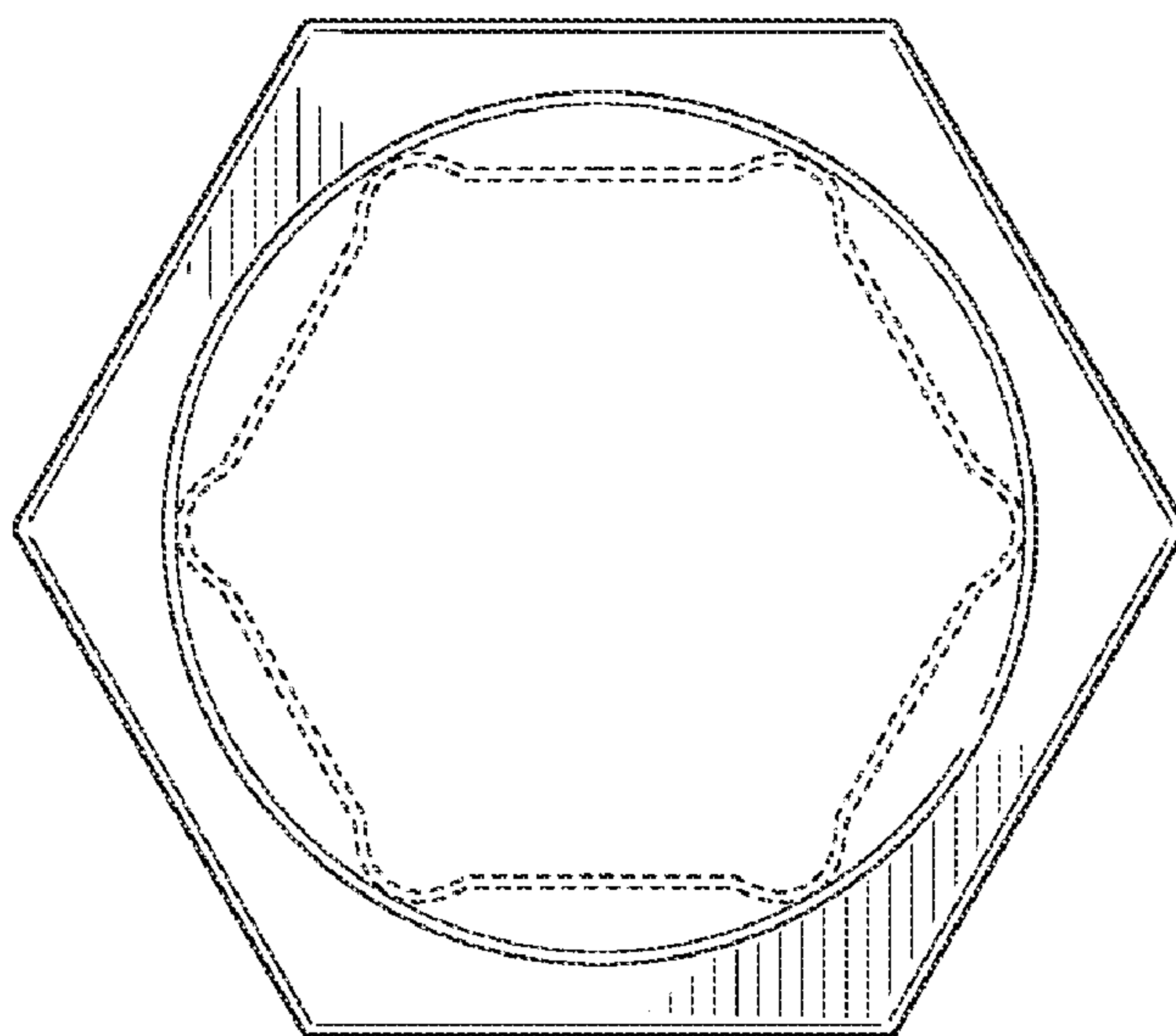
**FIG. 1**



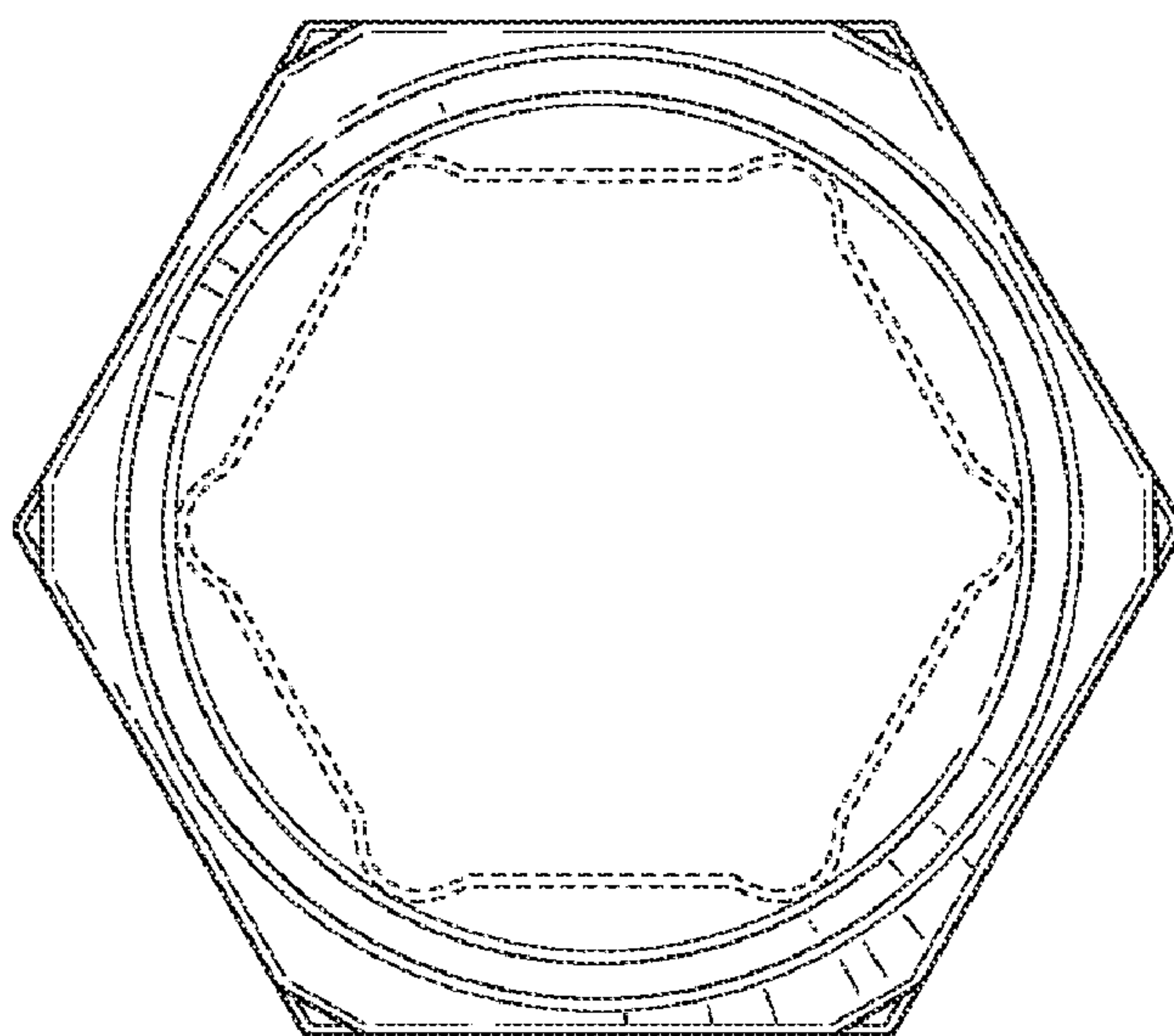
**FIG. 2**



**FIG. 3**



**FIG. 4**



**FIG. 5**