



US00D636650S

(12) **United States Design Patent**  
**Laurie**

(10) **Patent No.:** **US D636,650 S**

(45) **Date of Patent:** **\*\* Apr. 26, 2011**

(54) **LOW PROFILE SOCKET**

(76) Inventor: **Mark Laurie**, Palm Beach Gardens, FL  
(US)

(\*\*) Term: **14 Years**

(21) Appl. No.: **29/378,798**

(22) Filed: **Nov. 9, 2010**

**Related U.S. Application Data**

(60) Continuation-in-part of application No. 12/332,328, filed on Dec. 10, 2008, and a division of application No. 29/364,821, filed on Jun. 29, 2010, now Pat. No. Des. 628,868.

(51) **LOC (9) Cl.** ..... **08-05**

(52) **U.S. Cl.** ..... **D8/29**

(58) **Field of Classification Search** ..... D8/21-29;  
81/58.3-59.16, 177.1, 177.85, 121.1, 124.3,  
81/165-170, 110.1, 176.2, 124.6, 176.1,  
81/176.15, 177.2; 16/110.1; D15/144.1;  
219/75, 227, 229, 121.16, 121.18

See application file for complete search history.

(56) **References Cited**

**U.S. PATENT DOCUMENTS**

4,408,504	A *	10/1983	Dobosh	81/59.1
4,616,535	A *	10/1986	Chiavon	81/121.1
4,671,141	A *	6/1987	Hanson	81/53.2
4,939,961	A *	7/1990	Lee	81/60
5,140,875	A *	8/1992	Kim	81/63.1
5,313,860	A *	5/1994	Liou	81/437

5,970,825	A *	10/1999	Barnett et al.	81/60
6,595,088	B2 *	7/2003	Kuo et al.	81/58.5
7,010,998	B2 *	3/2006	Ying-Hao	81/121.1
D570,169	S *	6/2008	Lin	D8/29
2008/0236343	A1 *	10/2008	Chen	81/58.4

\* cited by examiner

*Primary Examiner* — Raphael Barkai

*Assistant Examiner* — Randall Gholson

(74) *Attorney, Agent, or Firm* — Gold & Rizvi, P.A.; Glenn E. Gold; H. John Rizvi

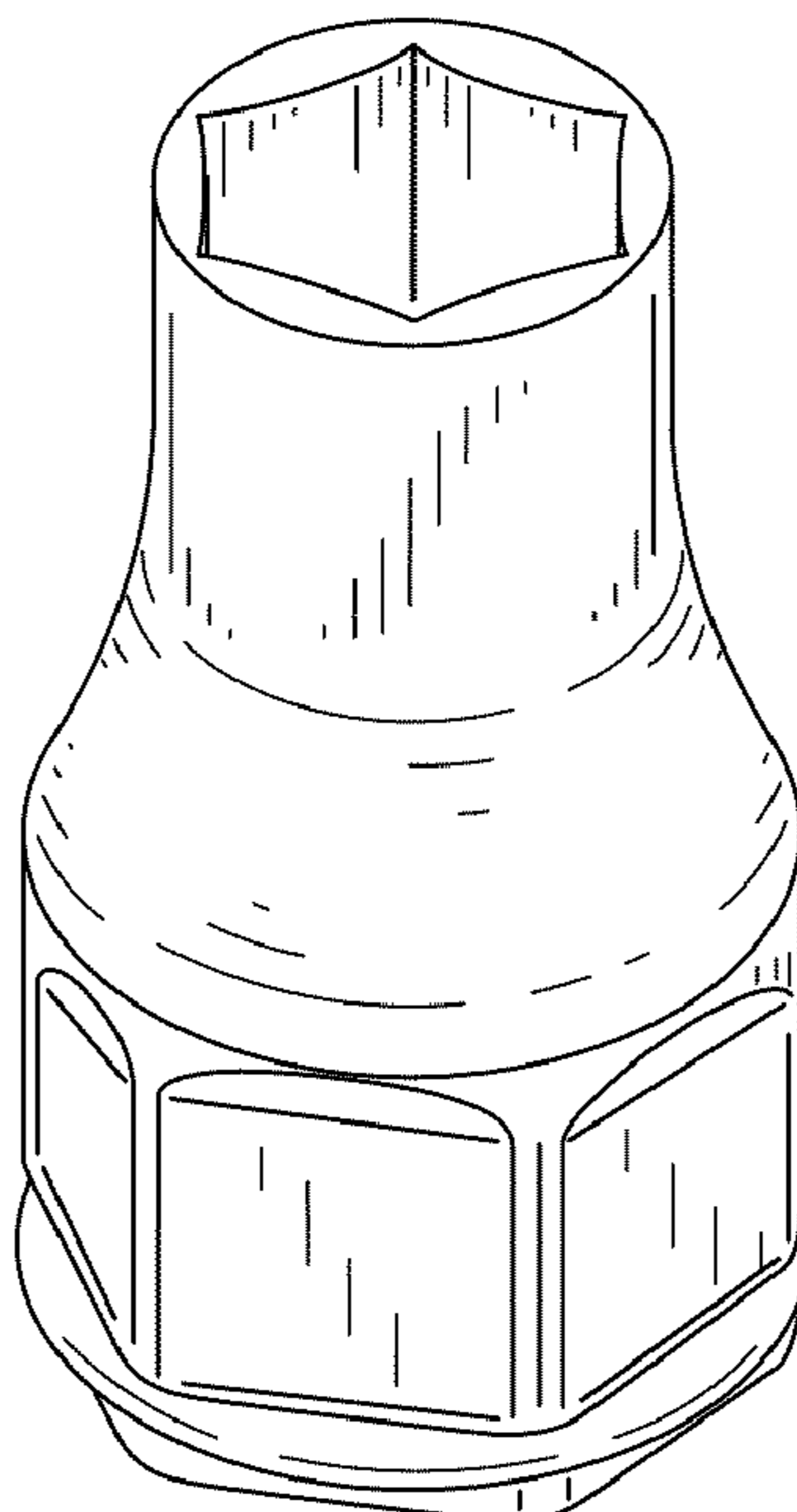
(57) **CLAIM**

I claim the ornamental design for low profile socket, as shown and described.

**DESCRIPTION**

FIG. 1 is an isometric top view of a low profile socket showing my new design;  
FIG. 2 is an isometric bottom view thereof;  
FIG. 3 is an elevation first side view thereof;  
FIG. 4 is an elevation second side view rotating 90 degrees thereof;  
FIG. 5 is an elevation third side view rotating 180 degrees thereof;  
FIG. 6 is an elevation fourth side view rotating 270 degrees thereof;  
FIG. 7 is a plan top view thereof; and,  
FIG. 8 is a plan bottom view thereof.

**1 Claim, 4 Drawing Sheets**



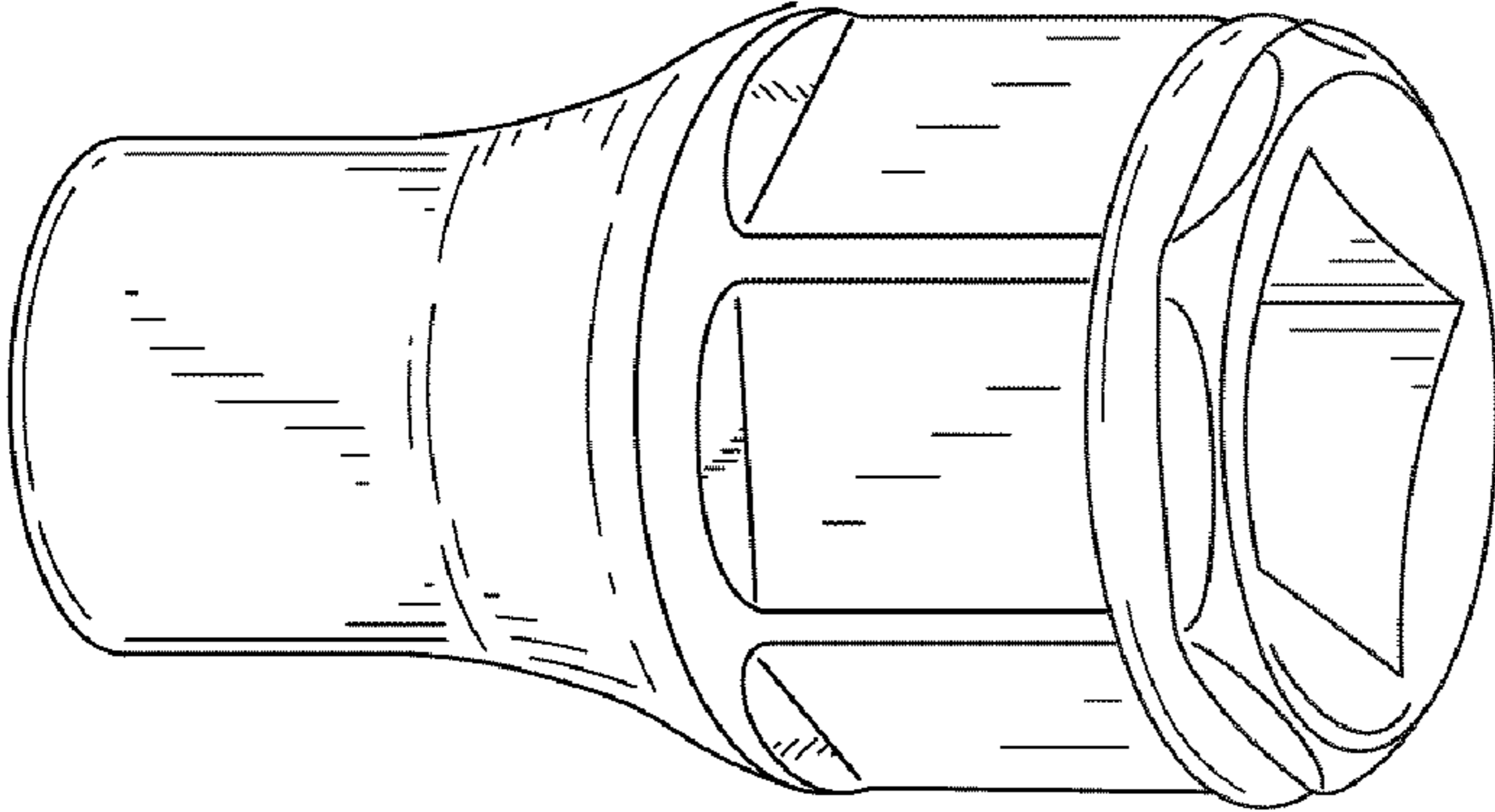


FIG. 1

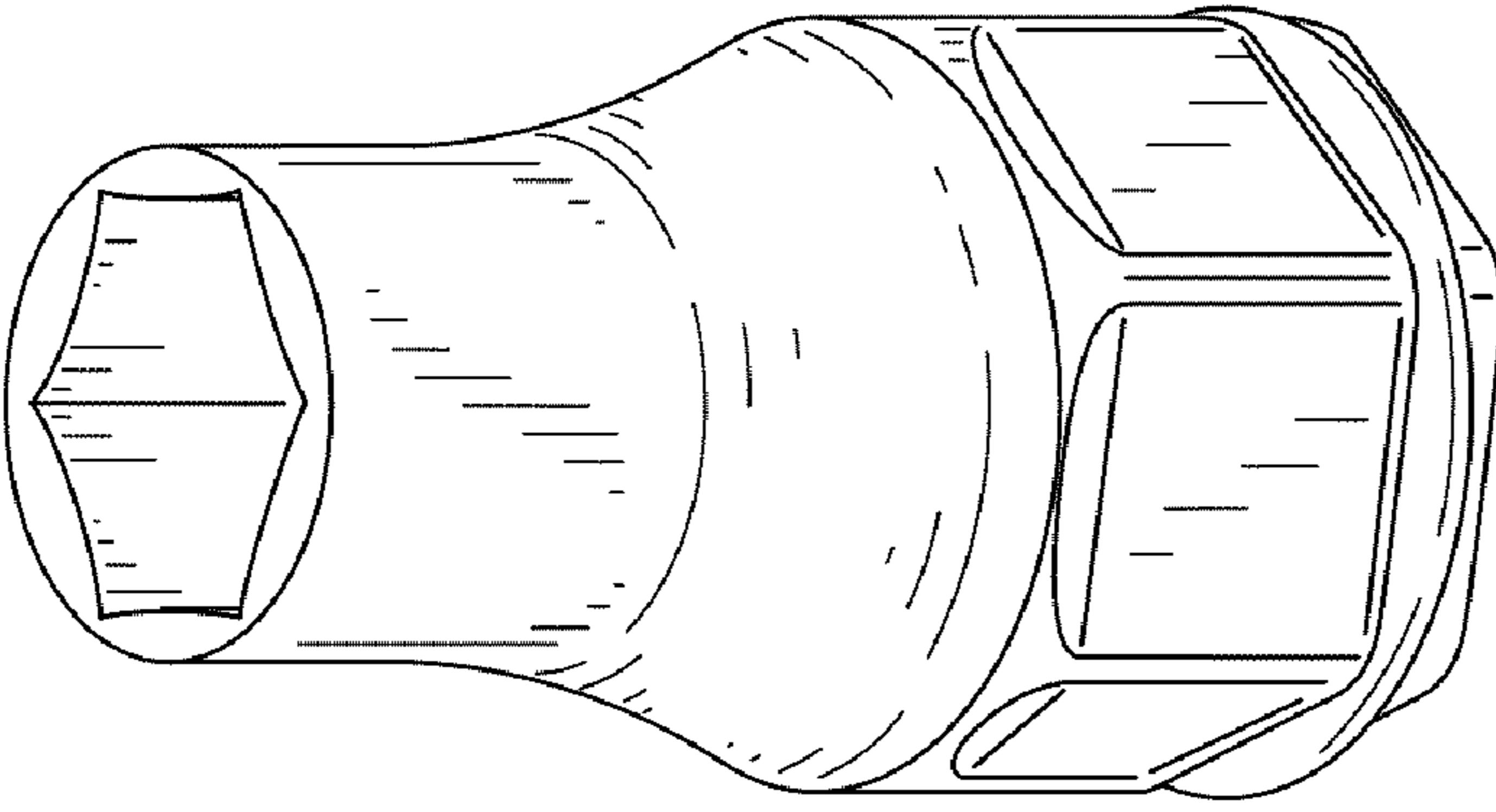


FIG. 2

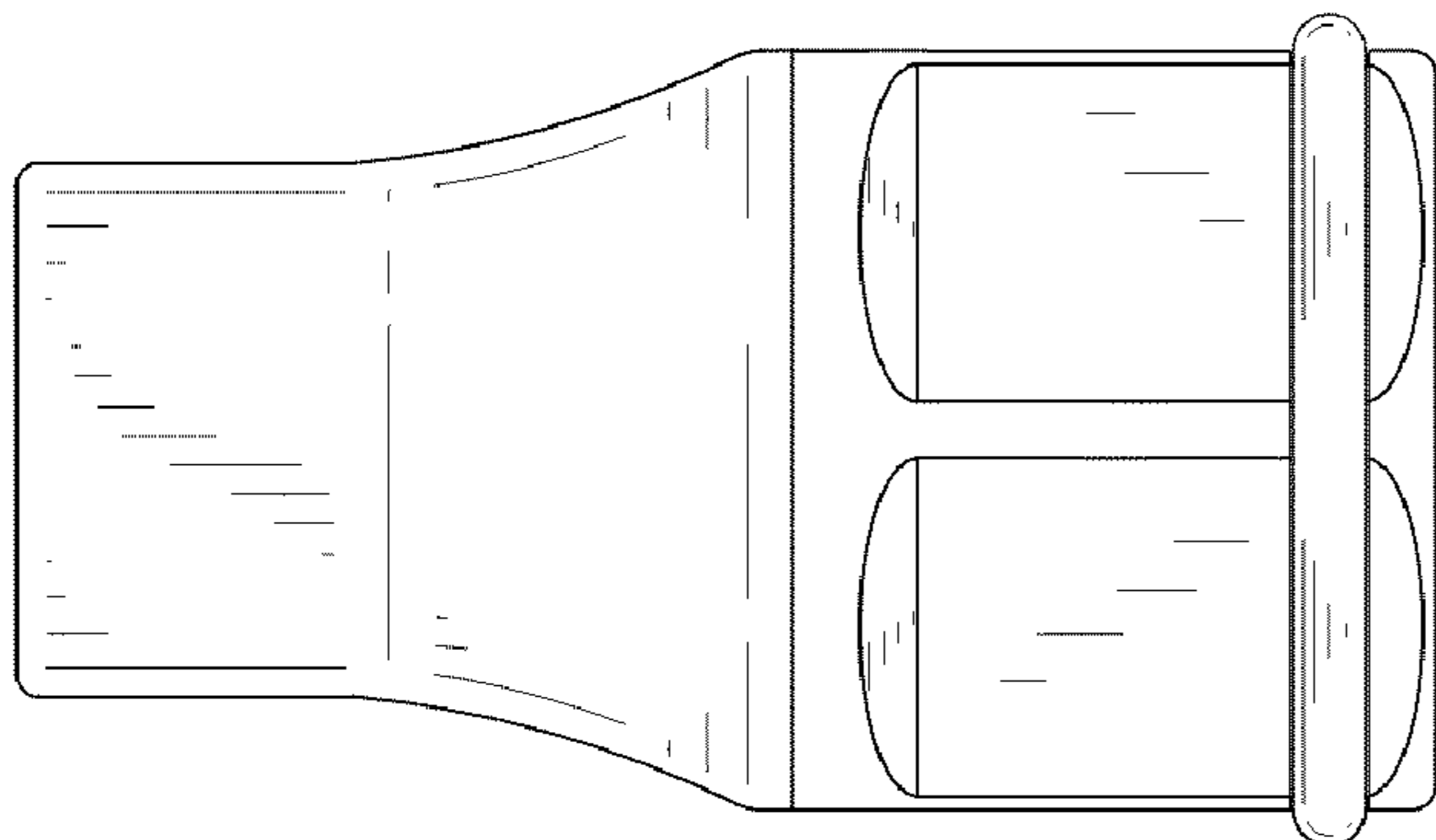


FIG. 3

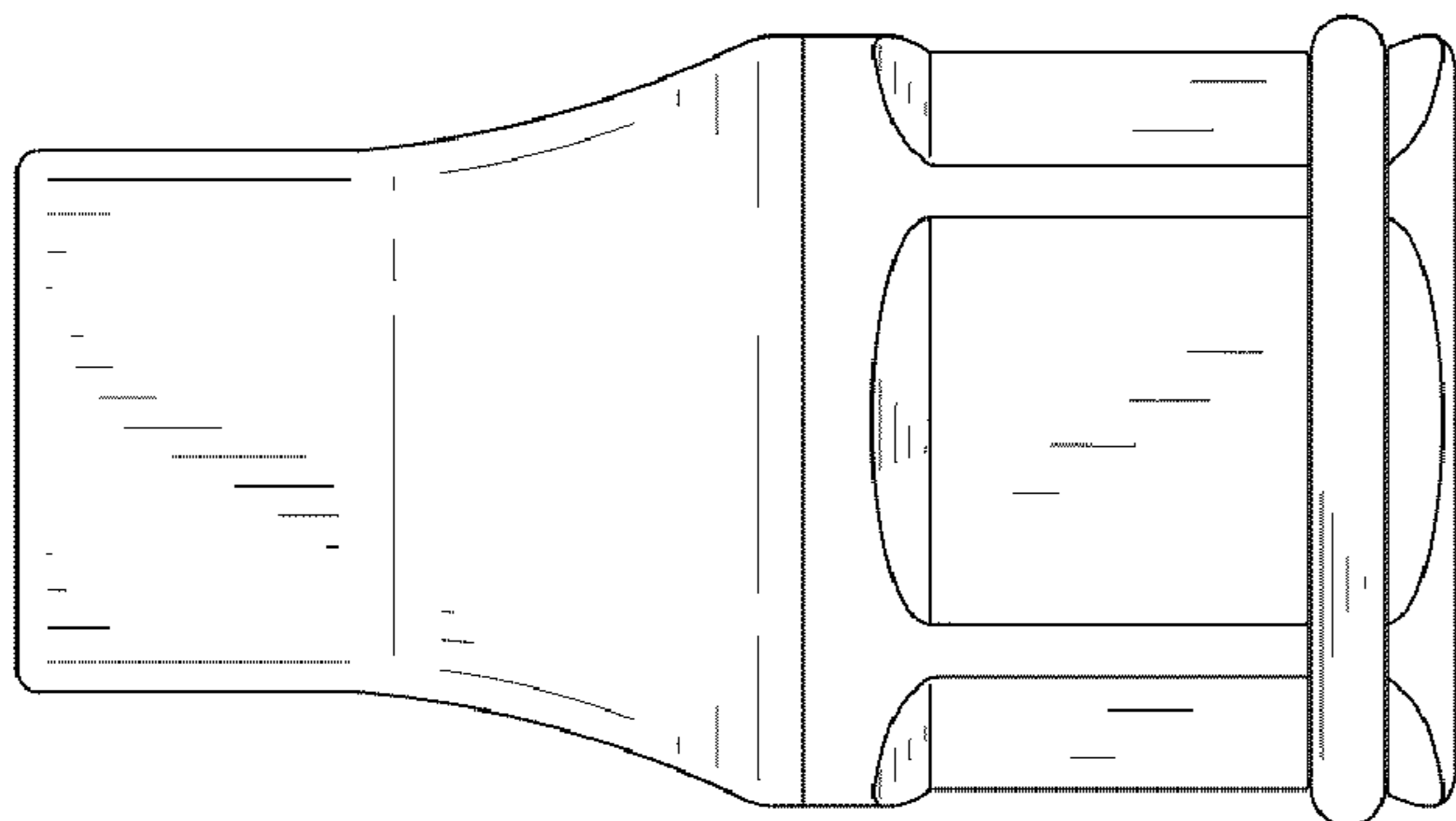


FIG. 4

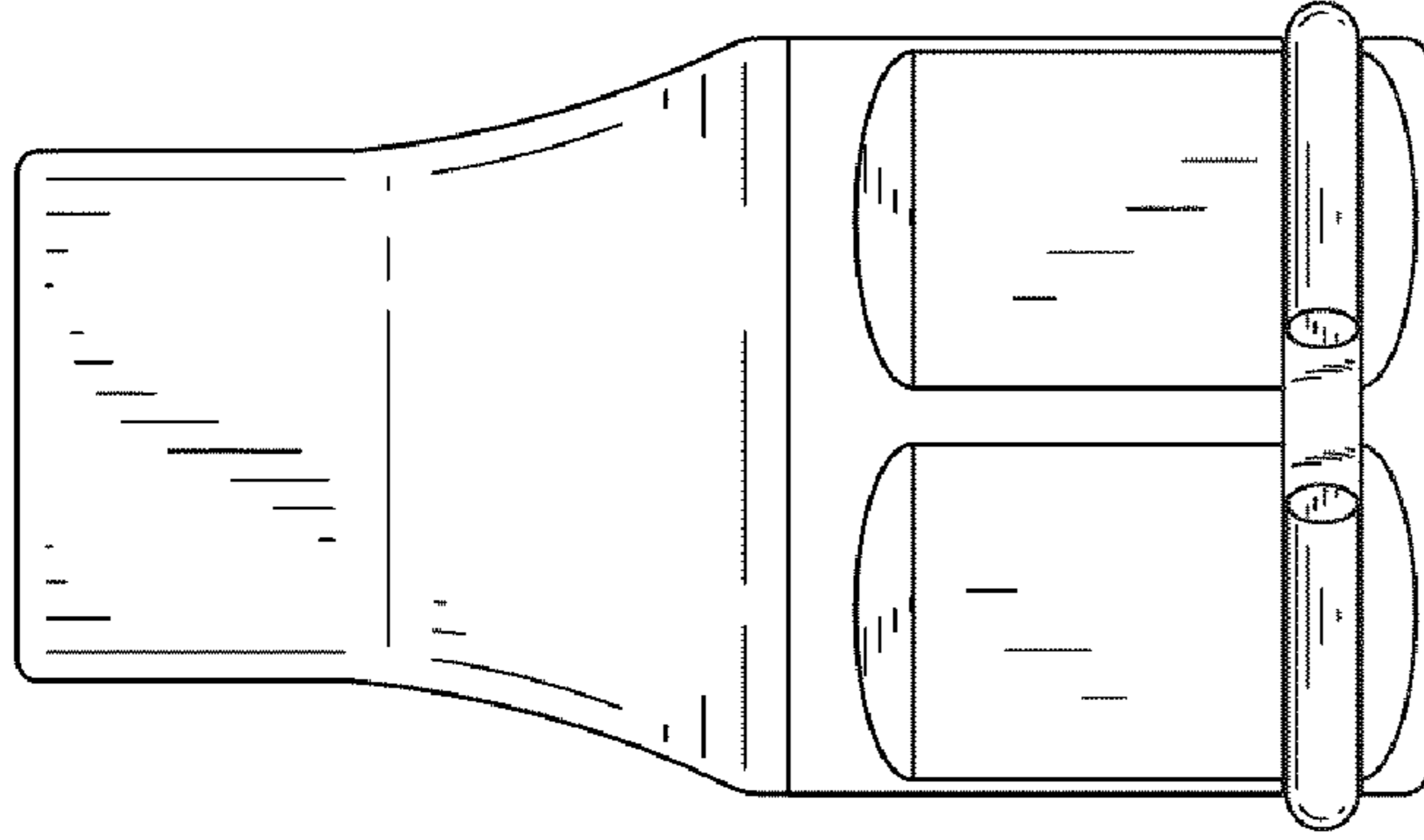


FIG. 5

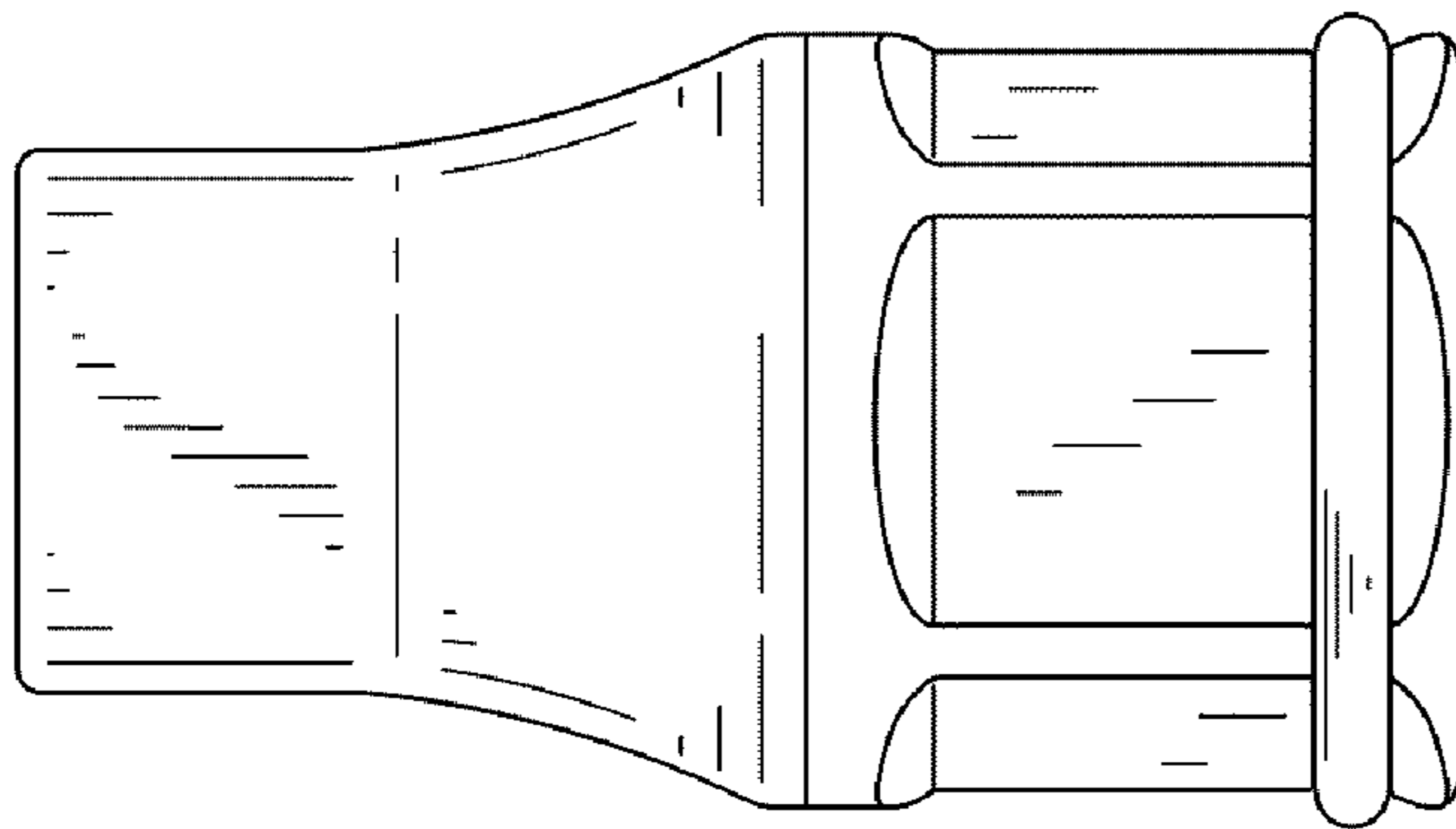


FIG. 6

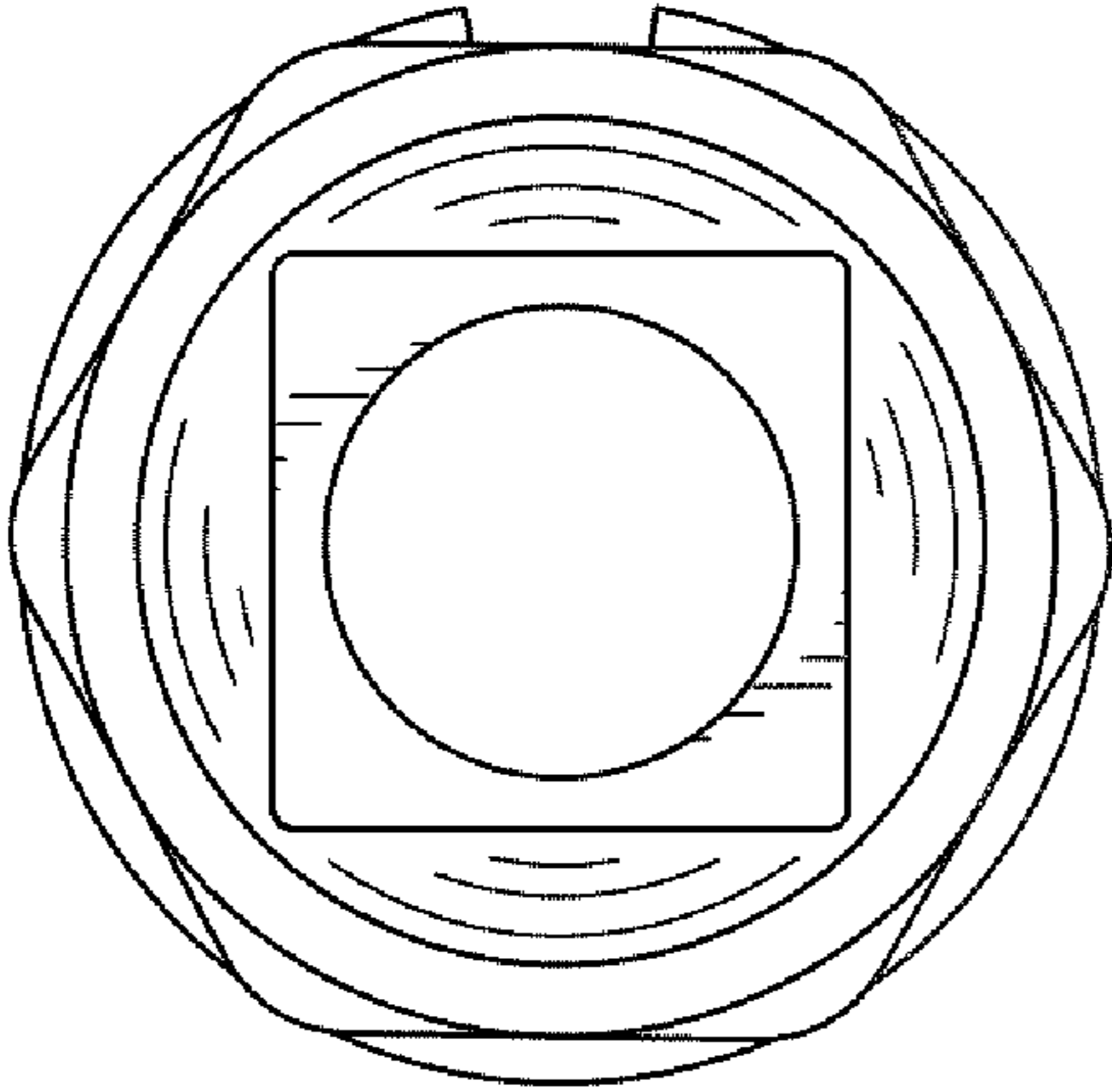


FIG. 8

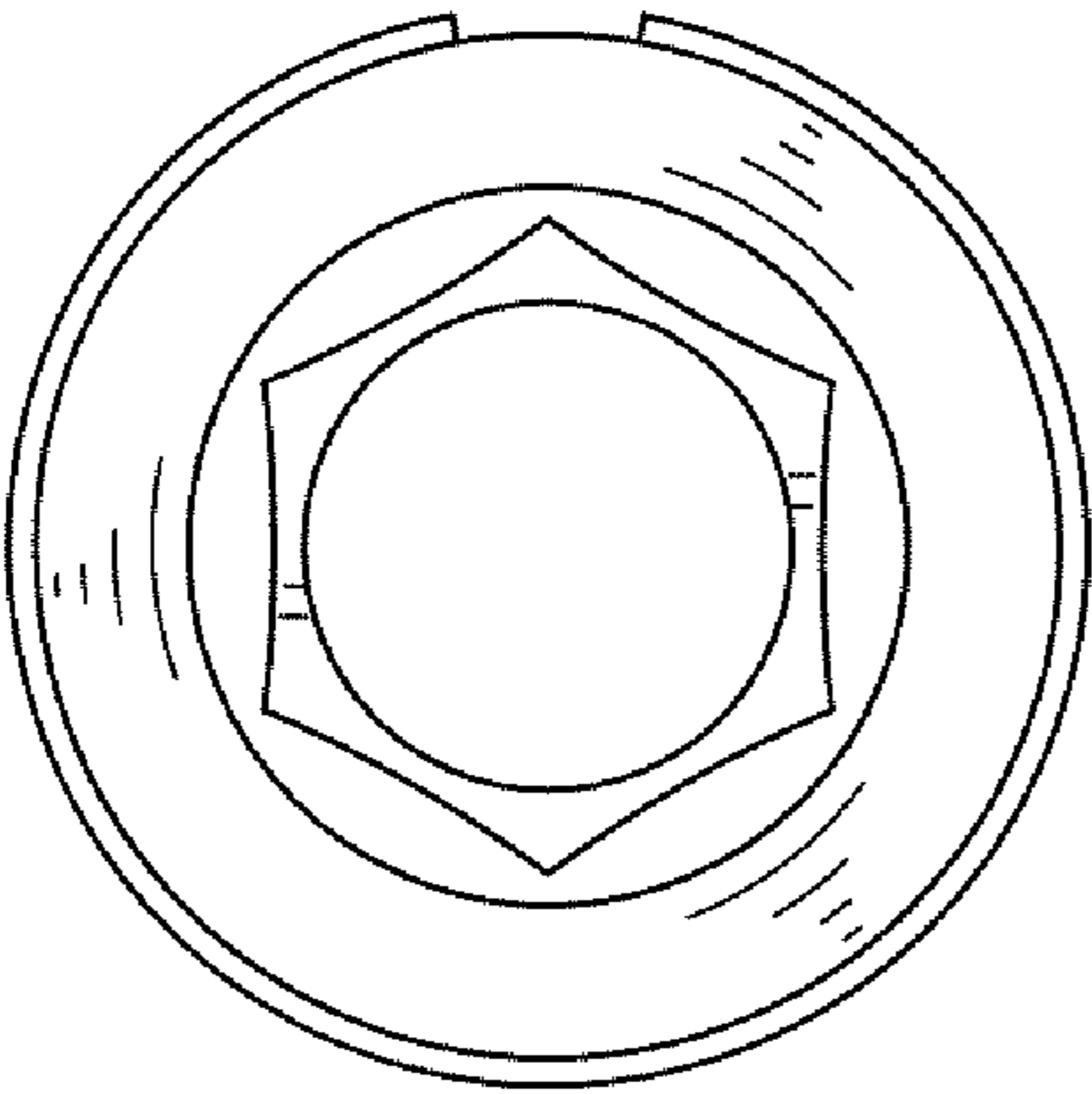


FIG. 7