



US00D636647S

(12) **United States Design Patent**
Hu

(10) **Patent No.:** **US D636,647 S**

(45) **Date of Patent:** **** Apr. 26, 2011**

(54) **WRENCH DRIVING END**

(76) Inventor: **Bobby Hu**, Taichung (TW)

(**) Term: **14 Years**

(21) Appl. No.: **29/376,357**

(22) Filed: **Oct. 6, 2010**

(51) **LOC (9) Cl.** **08-05**

(52) **U.S. Cl.** **D8/28**

(58) **Field of Classification Search** D8/17,
D8/21-29, 354, 107; 81/60, 177.1, 177.85,
81/121.1, 124.3, 165-170, 110.1, 176.2,
81/124.6, 176.1, 176.15, 177.2, 186; 16/110.1;
D15/144.1, 143; 219/75, 227, 229, 121.16,
219/121.18

See application file for complete search history.

(56) **References Cited**

U.S. PATENT DOCUMENTS

4,100,824	A *	7/1978	Marschke	81/124.6
4,111,077	A *	9/1978	Cummings et al.	81/63
4,328,720	A *	5/1982	Shiel	81/63
D429,979	S *	8/2000	Chiang	D8/25
6,845,691	B2 *	1/2005	Hsien	81/60
D504,057	S *	4/2005	Tuanmu	D8/25
6,928,904	B2 *	8/2005	Hsien	81/60
6,971,286	B2 *	12/2005	Hu	81/63.2
7,237,460	B2 *	7/2007	Hu	81/63.2
D551,042	S *	9/2007	Tuan Mu	D8/28
D559,054	S *	1/2008	Tuan Mu	D8/25
7,331,851	B2 *	2/2008	Koukouravas	454/160
2005/0241443	A1 *	11/2005	Chen	81/60

* cited by examiner

Primary Examiner — Raphael Barkai
Assistant Examiner — Randall Gholson

(74) *Attorney, Agent, or Firm* — Alan Kamrath; Kamrath & Associates PA

(57) **CLAIM**

The ornamental design for wrench driving end, as shown and described.

DESCRIPTION

FIG. 1 is a perspective view of a wrench driving end showing my new design in which the broken line is for illustrative purposes only and forms no part of the claimed design;

FIG. 2 is a front view thereof in which the broken line is for illustrative purposes only and forms no part of the claimed design;

FIG. 3 is a rear view thereof in which the broken line is for illustrative purposes only and forms no part of the claimed design;

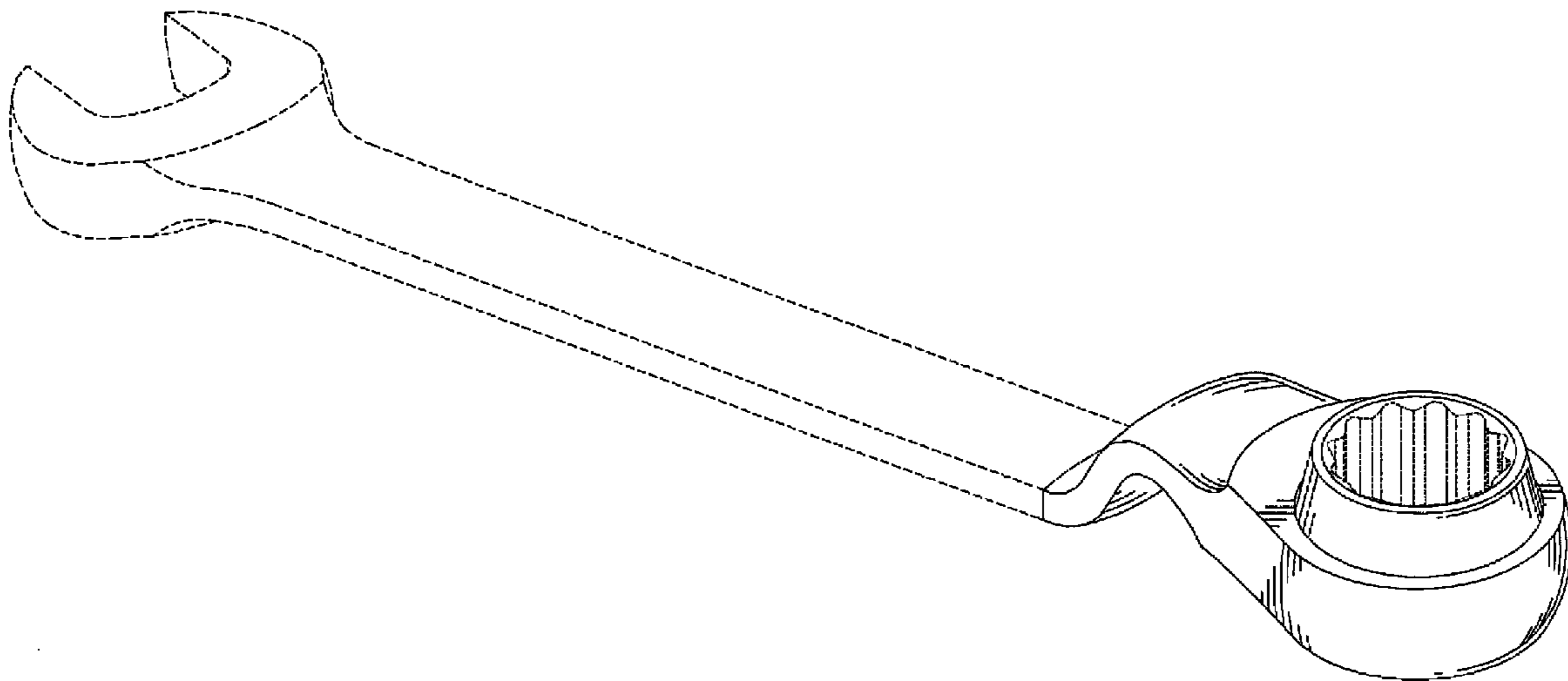
FIG. 4 is a left view thereof in which the broken line is for illustrative purposes only and forms no part of the claimed design;

FIG. 5 is a right view thereof in which the broken line is for illustrative purposes only and forms no part of the claimed design;

FIG. 6 is a top view thereof in which the broken line is for illustrative purposes only and forms no part of the claimed design; and,

FIG. 7 is a bottom view thereof in which the broken line is for illustrative purposes only and forms no part of the claimed design.

1 Claim, 5 Drawing Sheets



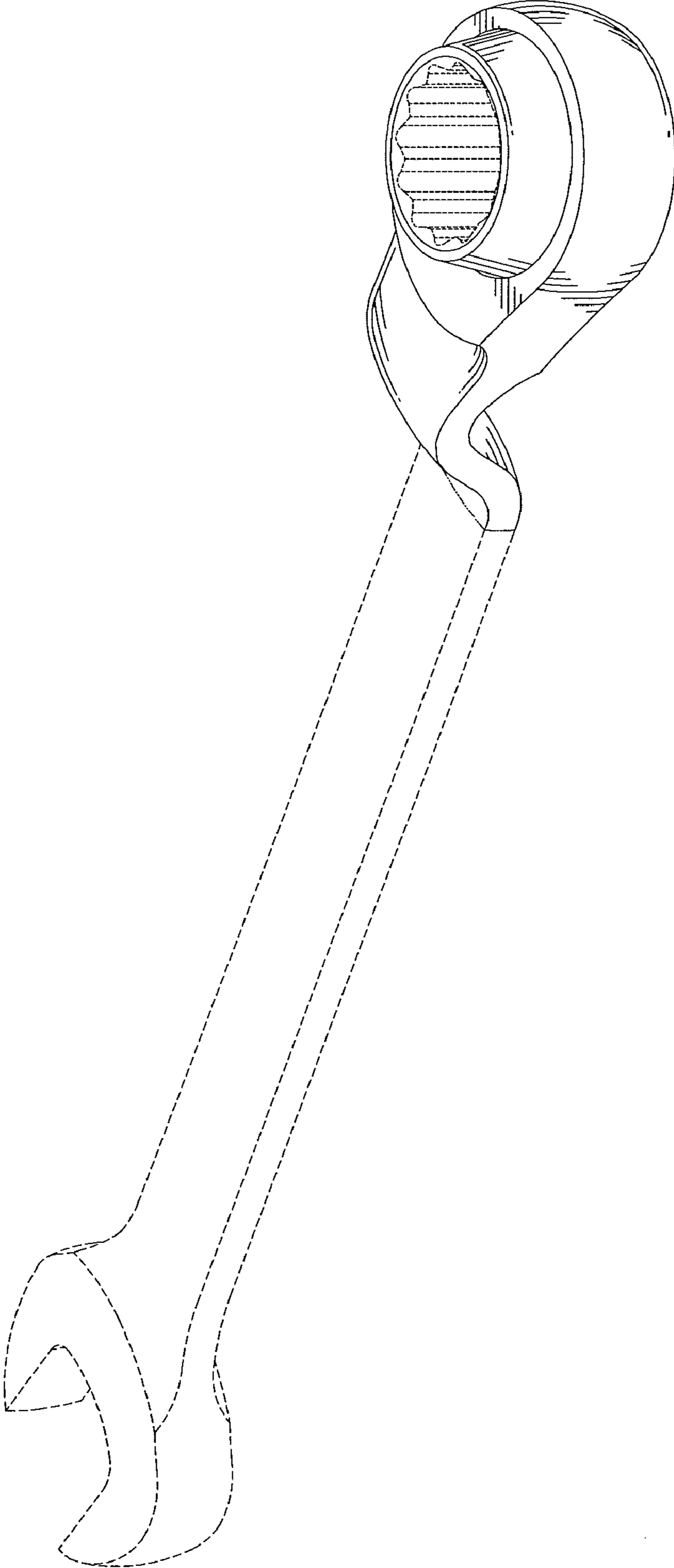


FIG.1

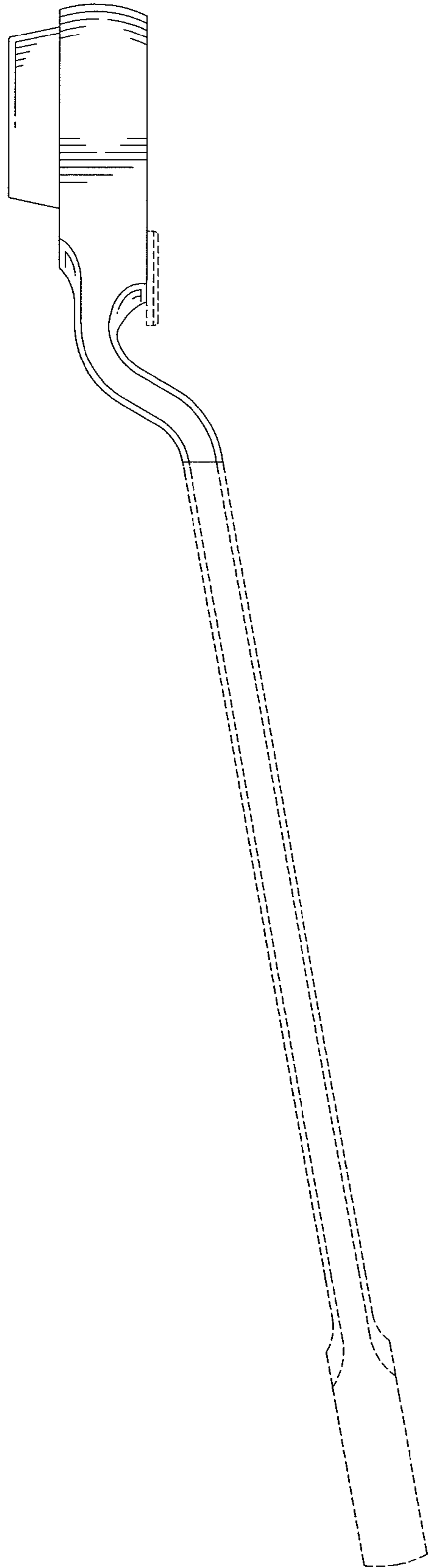


FIG.2

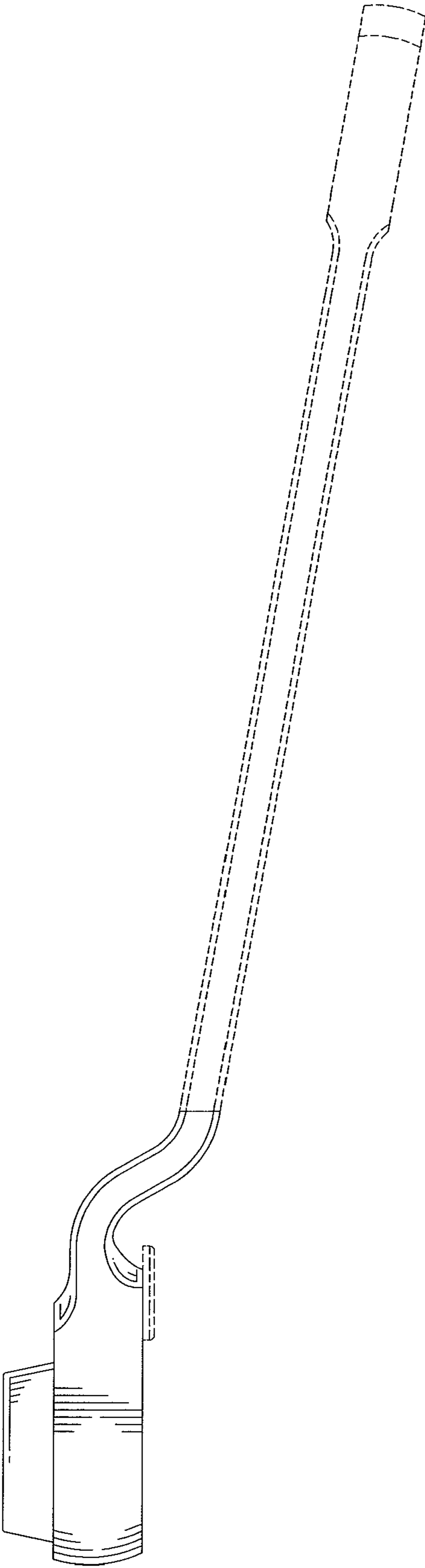


FIG.3

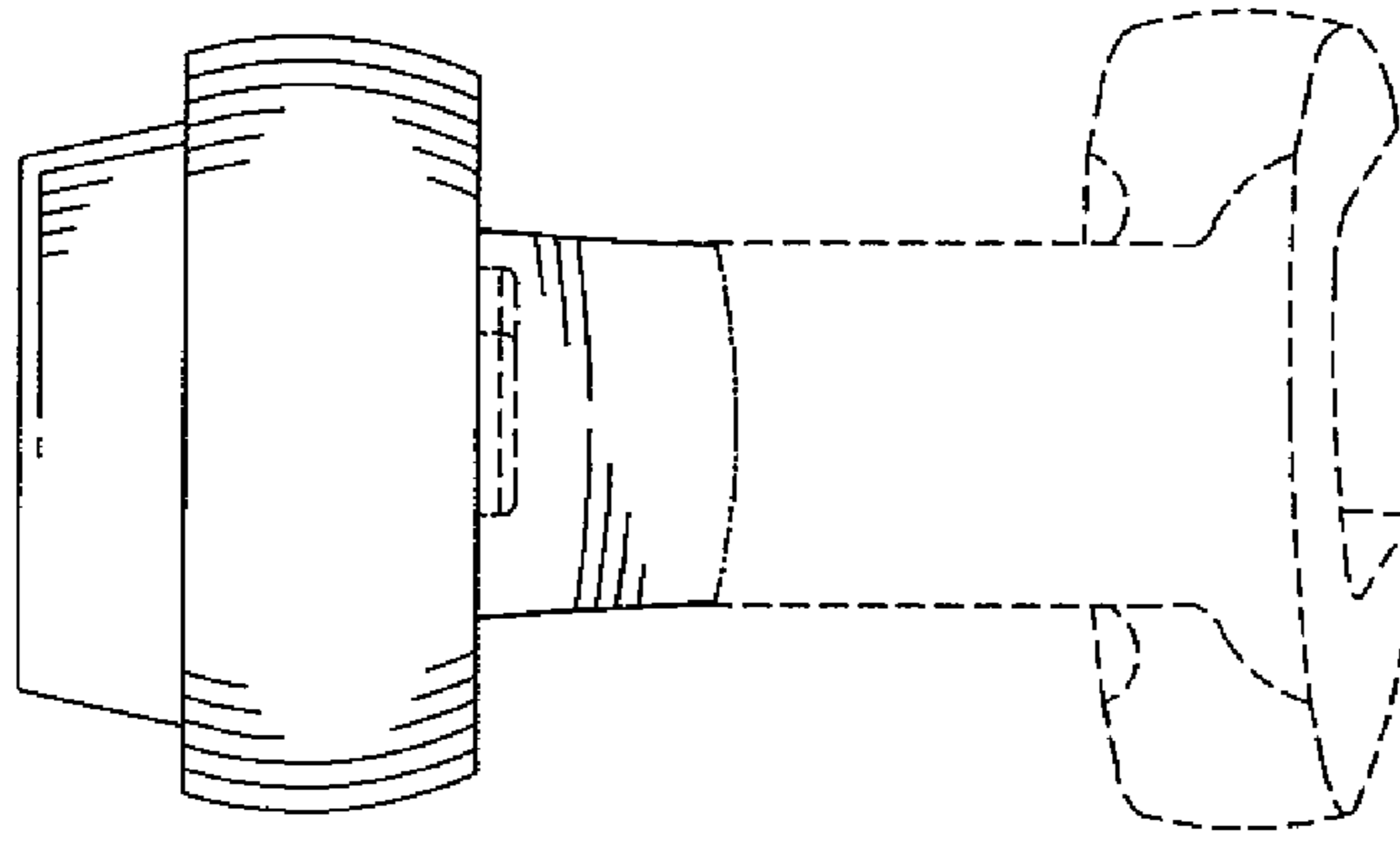


FIG. 5

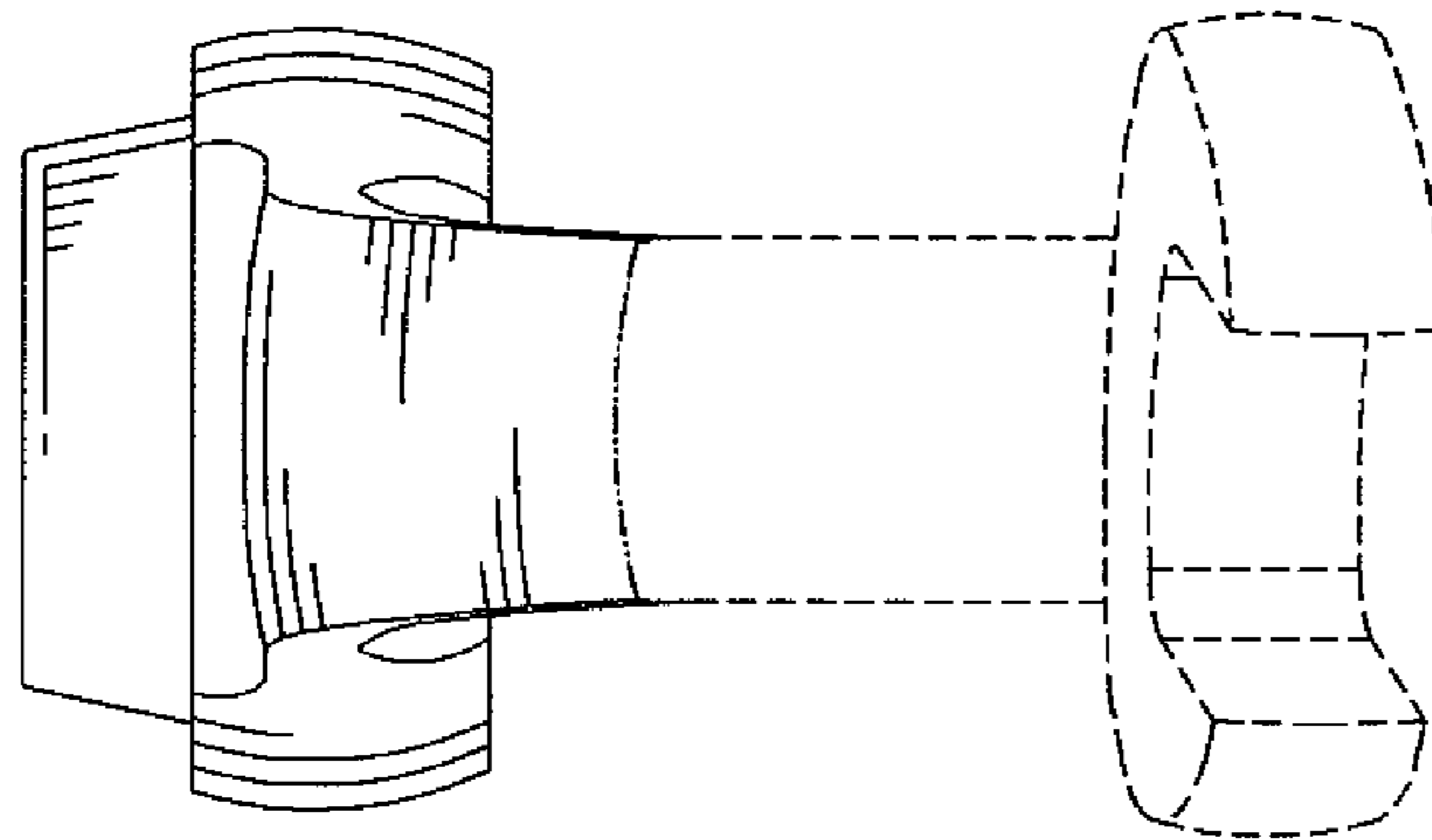


FIG. 4

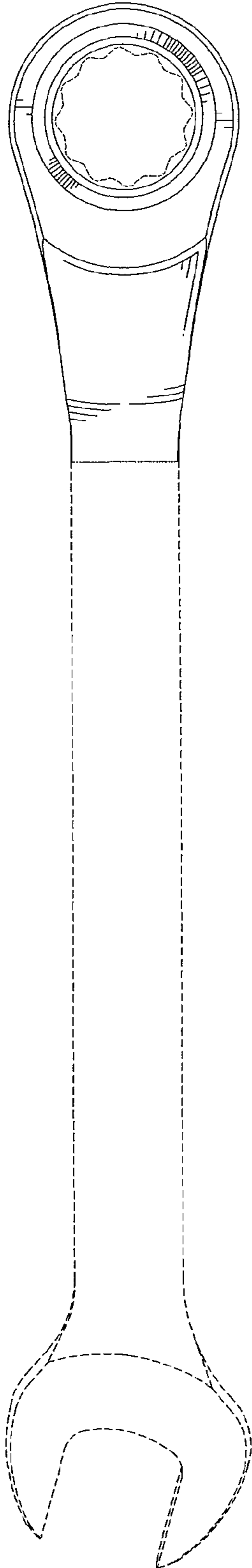


FIG. 6

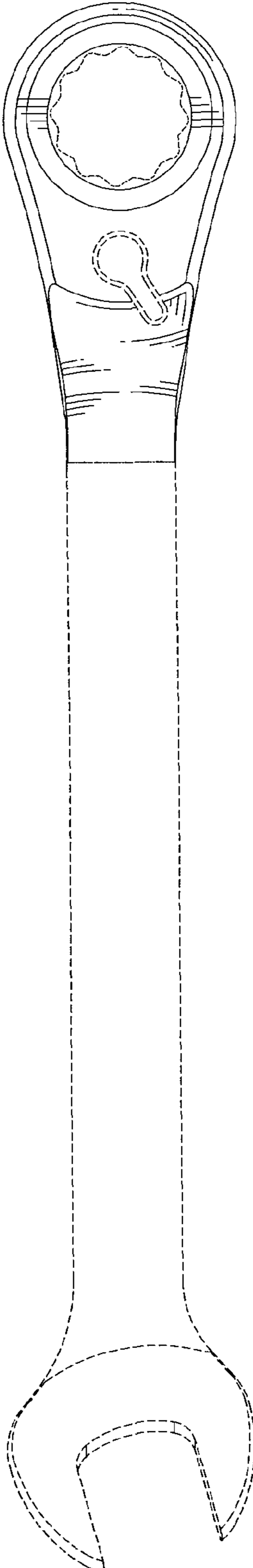


FIG. 7