



US00D636646S

(12) **United States Design Patent**
Muccino et al.

(10) **Patent No.:** **US D636,646 S**

(45) **Date of Patent:** **** Apr. 26, 2011**

(54) **UTILITY BLADE**

(75) Inventors: **Alfredo Muccino**, San Jose, CA (US);
Scot Herbst, San Jose, CA (US); **Alan Regala**, Seattle, WA (US)

(73) Assignee: **Slice, Inc.**, Campbell, CA (US)

(**) Term: **14 Years**

(21) Appl. No.: **29/377,308**

(22) Filed: **Oct. 20, 2010**

(51) **LOC (9) Cl.** **08-03**

(52) **U.S. Cl.** **D8/20**

(58) **Field of Classification Search** D8/16,
D8/18-20, 64, 95-104; D22/117, 118; D24/146;
7/118, 148; 30/142, 144, 165, 166.3, 272.1,
30/314, 320, 346, 346.5, 346.55, 346.56,
30/349, 351, 355-357

See application file for complete search history.

(56) **References Cited**

U.S. PATENT DOCUMENTS

D344,155 S * 2/1994 Ueno et al. D8/98
D379,256 S * 5/1997 Tipp D8/16

D404,621 S * 1/1999 Liese D8/16
D602,752 S * 10/2009 Luciano et al. D8/20

* cited by examiner

Primary Examiner — Garth Rademaker

(74) *Attorney, Agent, or Firm* — The Sigma Law Group;
Attorney James M. Smedley LLC; James Michael Smedley,
Esq.

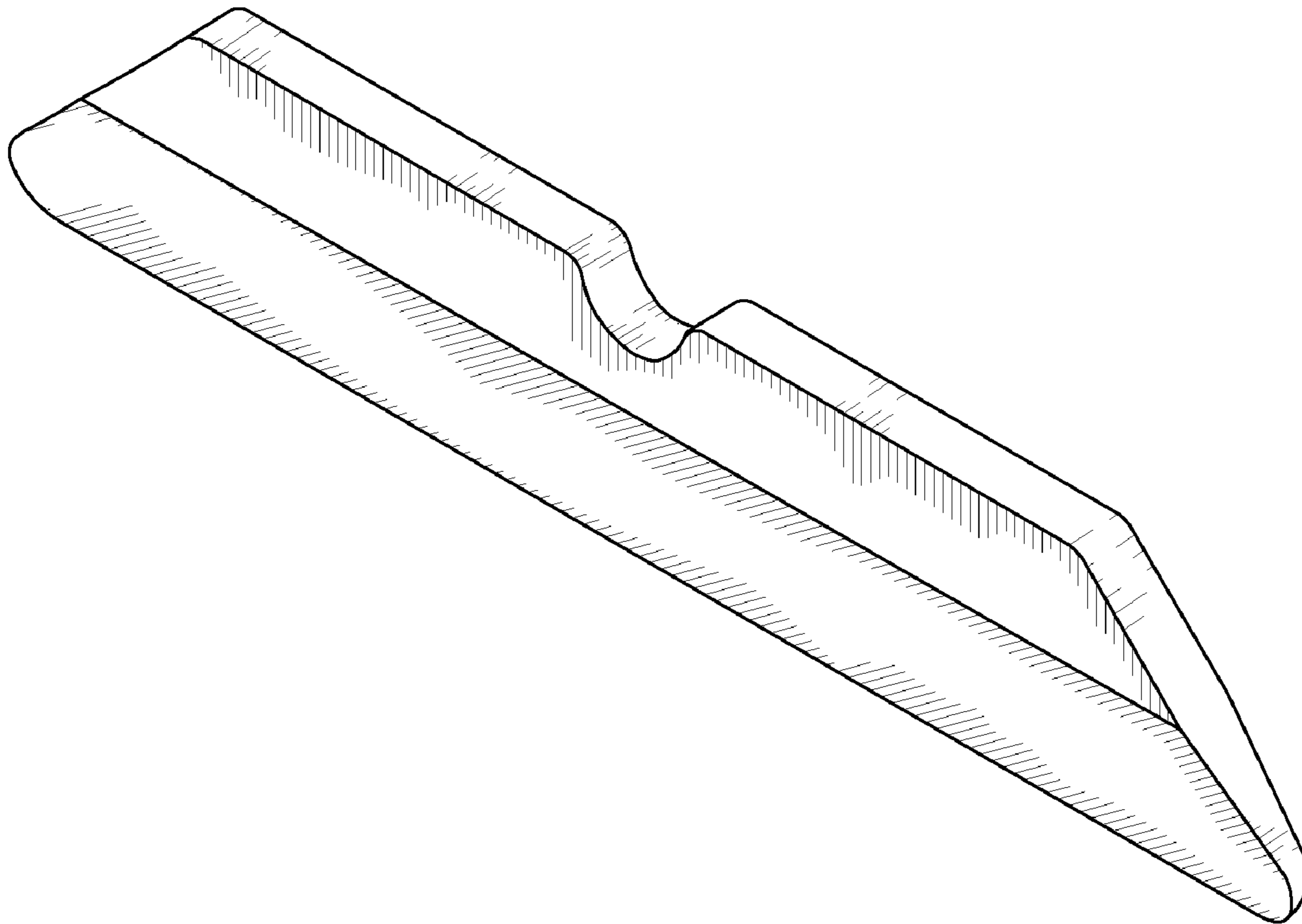
(57) **CLAIM**

We claim the ornamental design for a utility blade, as shown and described.

DESCRIPTION

FIG. 1 is a perspective view of a utility blade showing the new design;
FIG. 2 is a bottom view showing the new design.
FIG. 3 is a side view showing the new design.
FIG. 4 is a top view showing the new design; and,
FIG. 5 is a front view showing the new design.

1 Claim, 2 Drawing Sheets



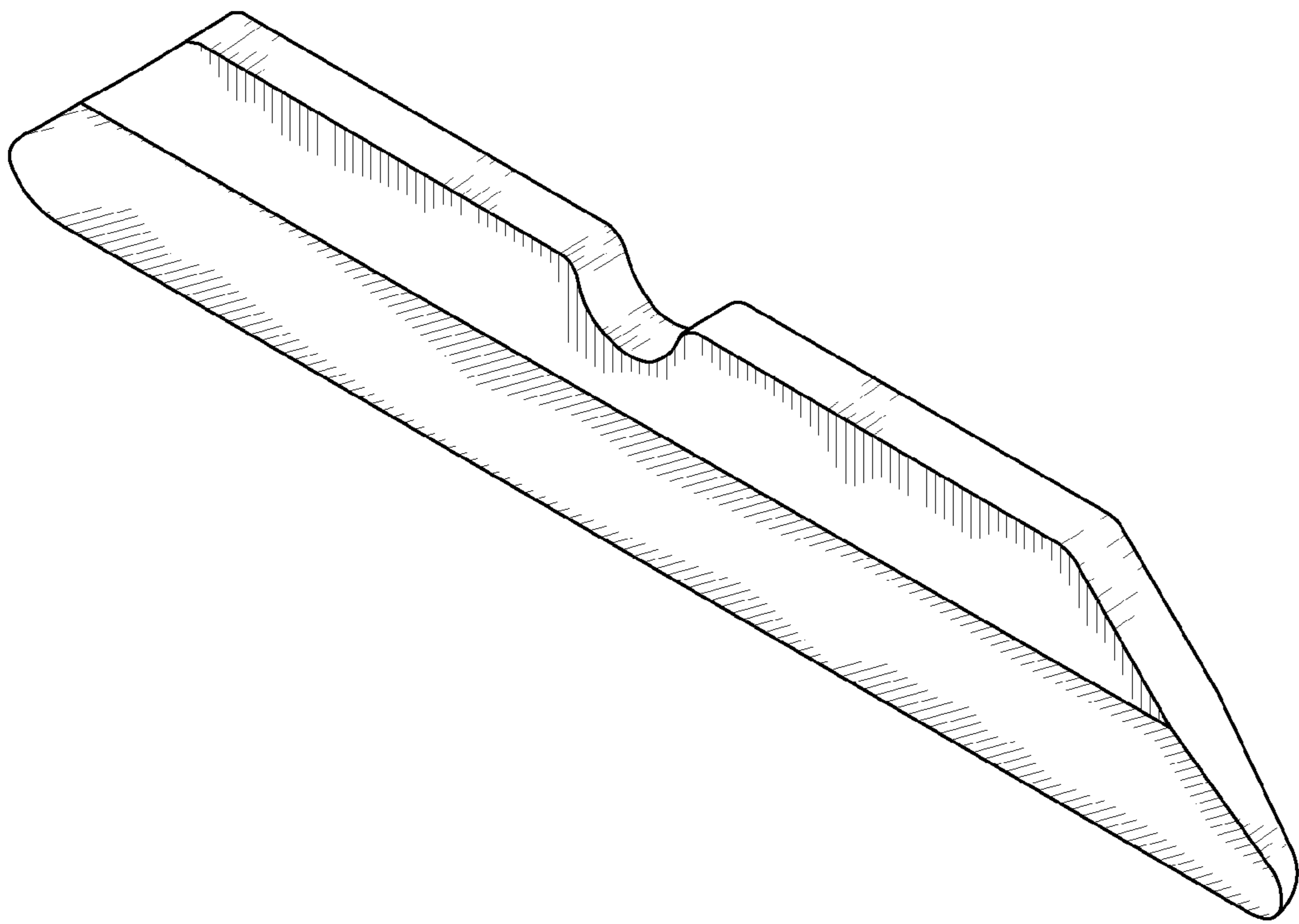


FIG. 1

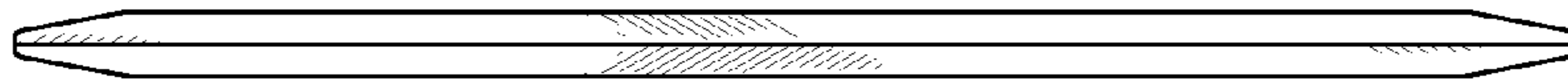


FIG. 2

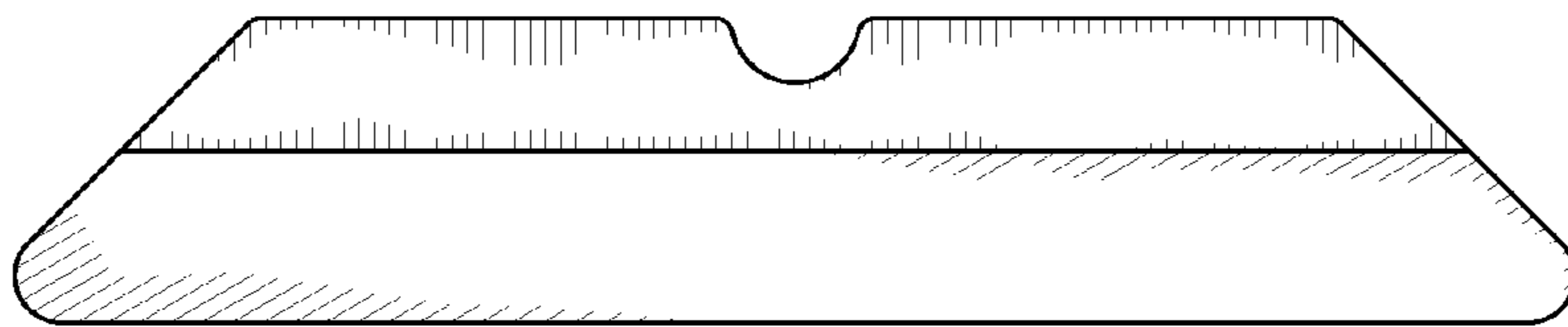


FIG. 3



FIG. 5



FIG. 4