



US00D636644S

(12) **United States Design Patent**
Madill, Jr.

(10) **Patent No.:** **US D636,644 S**

(45) **Date of Patent:** **** Apr. 26, 2011**

(54) **COLLECTION SHOVEL**

(76) Inventor: **William J. Madill, Jr.**, Riverview, FL
(US)

(**) Term: **14 Years**

(21) Appl. No.: **29/360,047**

(22) Filed: **Apr. 20, 2010**

(51) **LOC (9) Cl.** **08-01**

(52) **U.S. Cl.** **D8/10**

(58) **Field of Classification Search** D8/1, 10,
D8/107; 15/236.07; 34/265; 294/49, 54.5,
294/51, 53.5, 55; 172/371-373
See application file for complete search history.

(56) **References Cited**

U.S. PATENT DOCUMENTS

1,713,529	A	*	5/1929	Grant	294/51
D516,881	S	*	3/2006	Conaway et al.	D8/10
D517,875	S	*	3/2006	Conaway et al.	D8/10
D534,045	S	*	12/2006	Fortier	D8/10

D563,181	S	*	3/2008	Gailey	D8/10
D596,470	S	*	7/2009	Greenly	D8/10
2008/0143127	A1	*	6/2008	Klangos	294/49

* cited by examiner

Primary Examiner — Holly H Baynham

Assistant Examiner — Sheryl Lane

(74) *Attorney, Agent, or Firm* — Thomas Frost

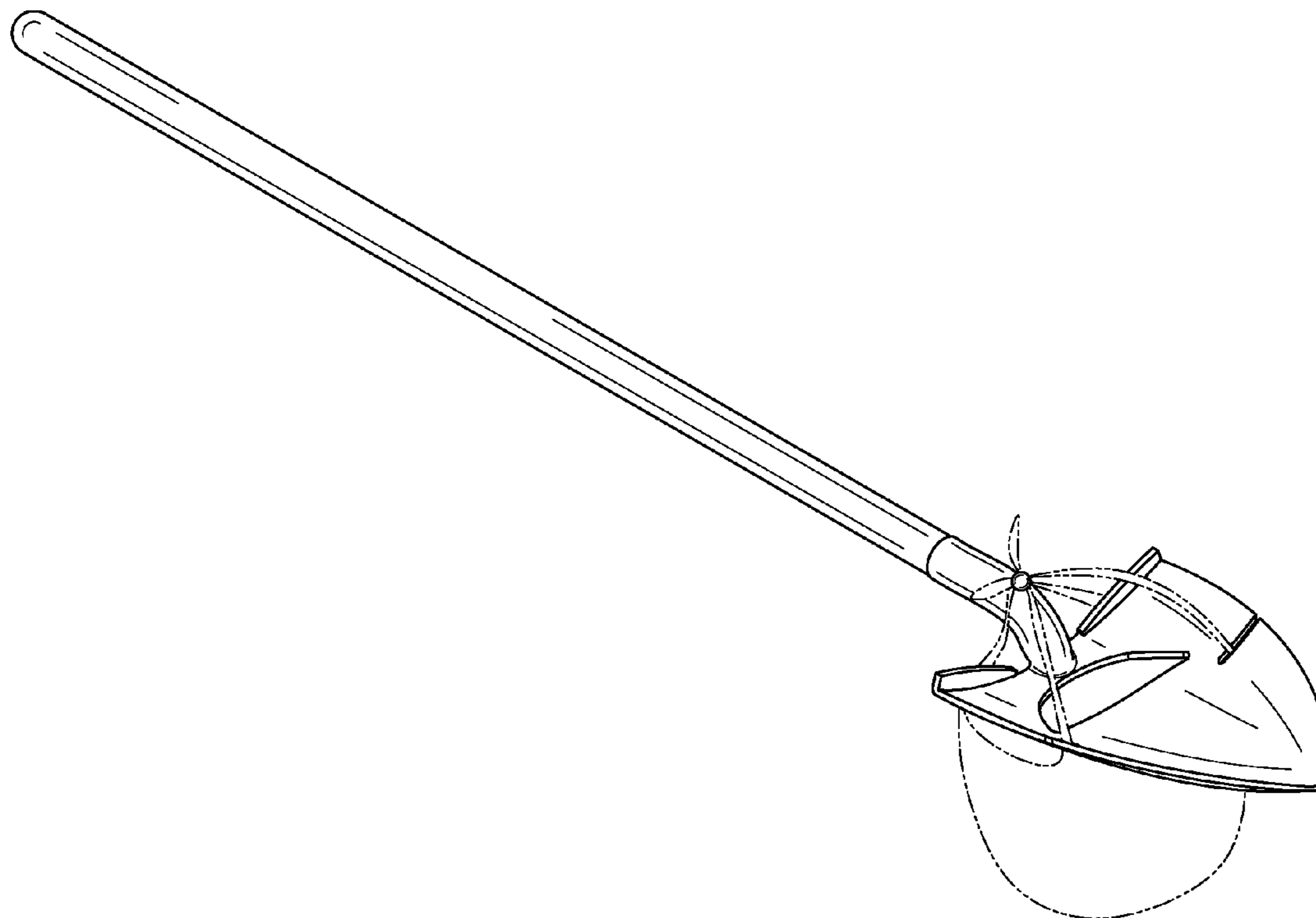
(57) **CLAIM**

The ornamental design for a collection shovel, as shown and described.

DESCRIPTION

FIG. 1 is a perspective view of a collection shovel showing my new design;
FIG. 2 is a bottom plan view thereof;
FIG. 3 is a top plan view thereof.
FIG. 4 is a right side elevational view with the left side being a mirror image thereof;
FIG. 5 is a front elevational view thereof; and,
FIG. 6 is a rear elevational view thereof.
The broken line showing of an attached bag in FIG. 1 is for illustrative purpose only and forms no part of the claimed design.

1 Claim, 3 Drawing Sheets



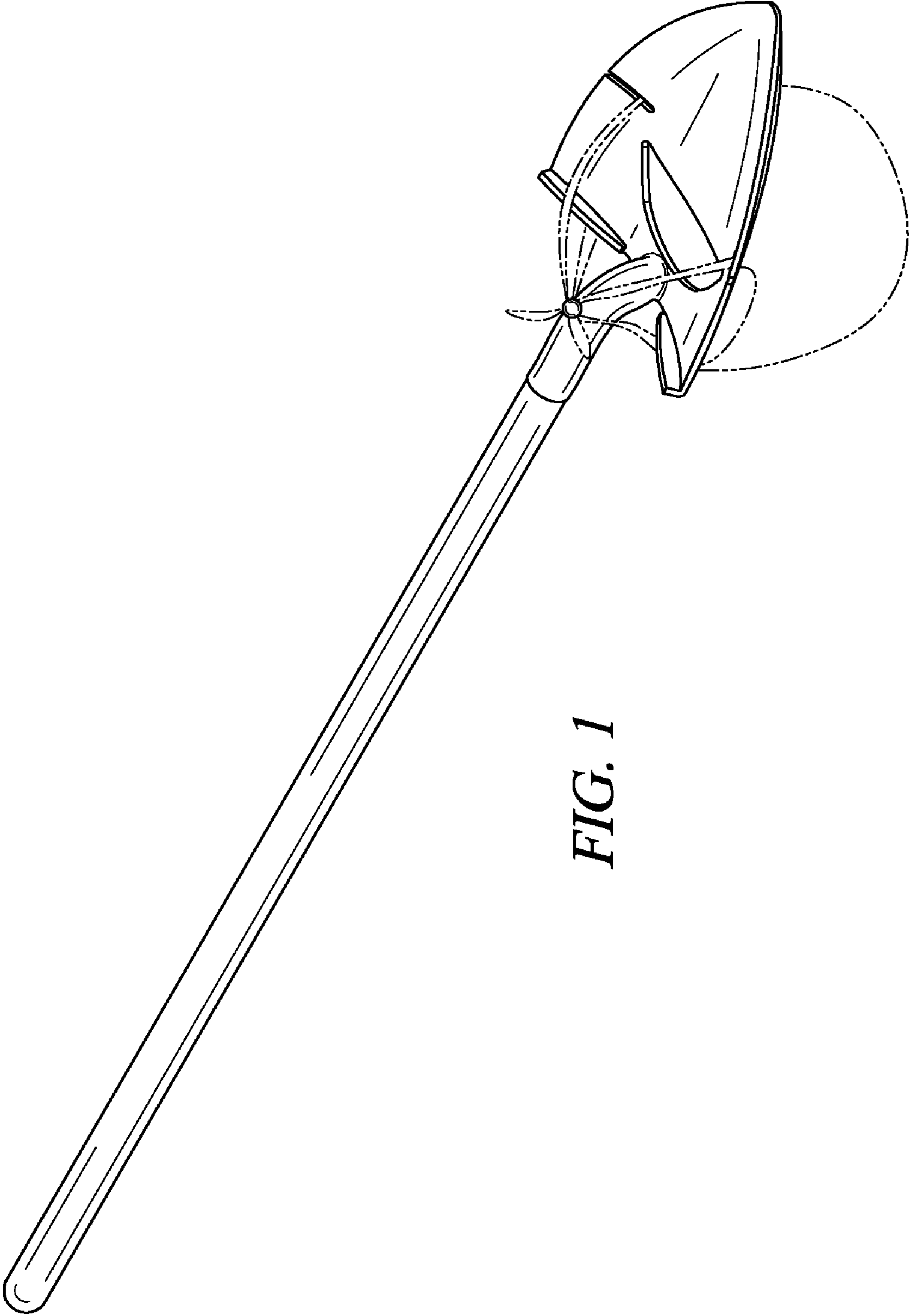


FIG. 1

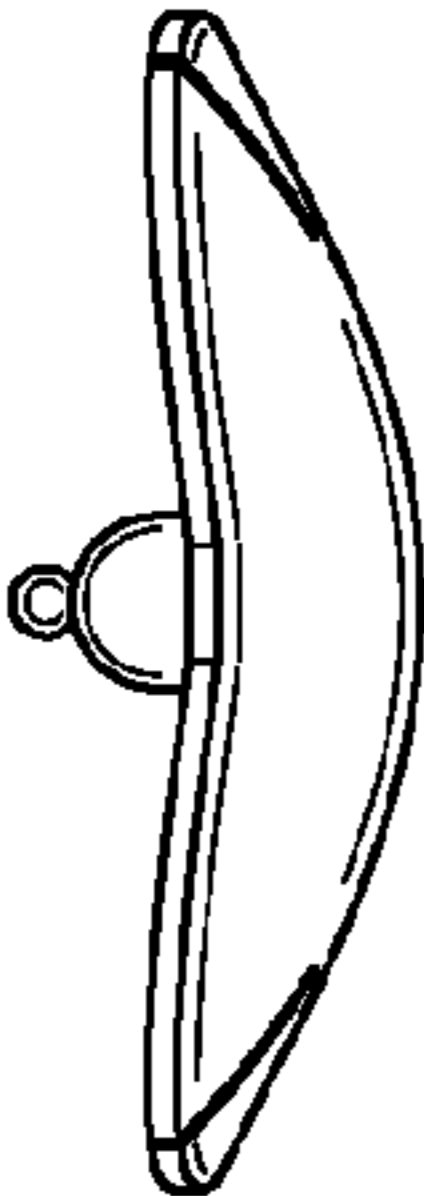


FIG. 2

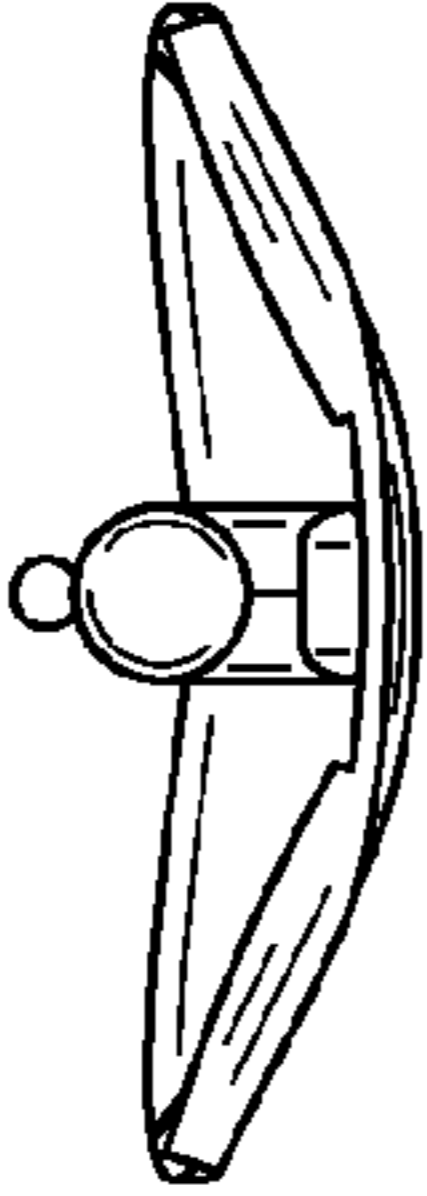


FIG. 3

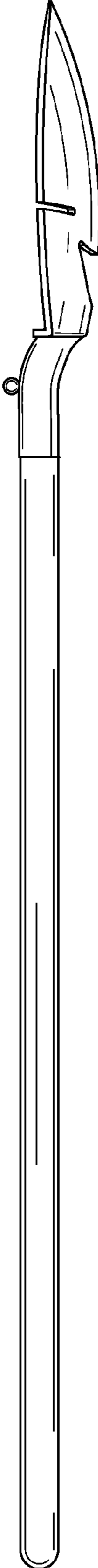


FIG. 4

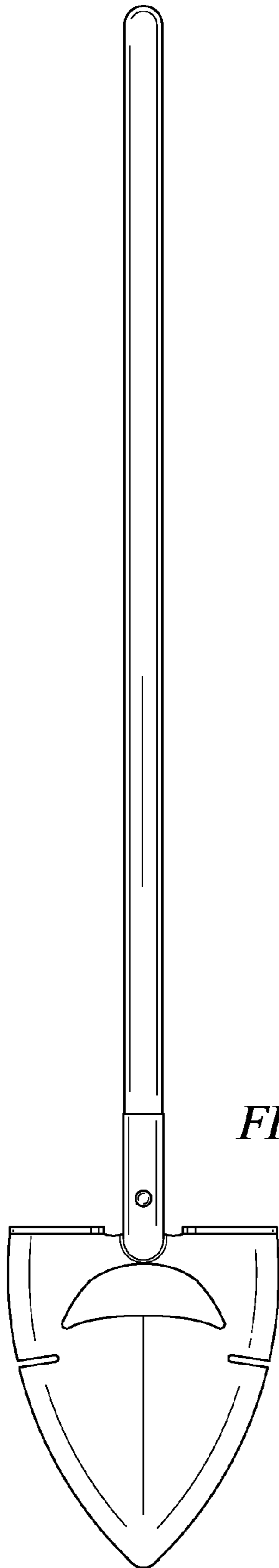


FIG. 5

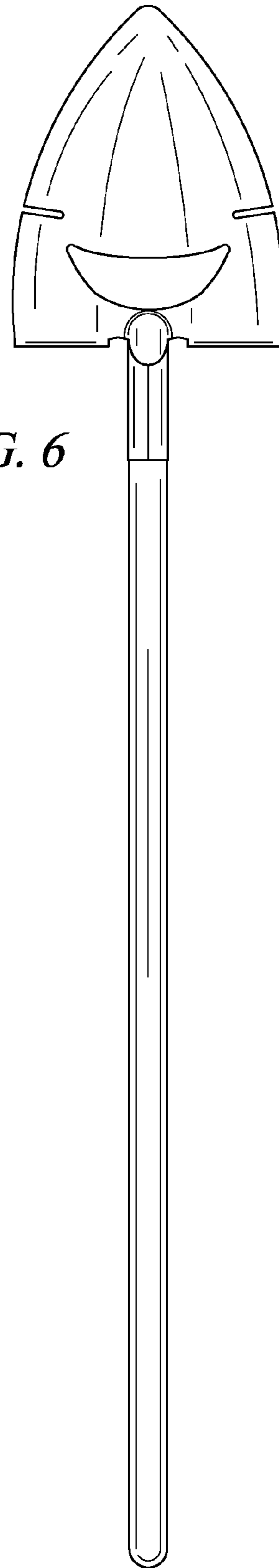


FIG. 6