



US00D636642S

(12) **United States Design Patent**
Dulin

(10) **Patent No.:** **US D636,642 S**

(45) **Date of Patent:** **** Apr. 26, 2011**

(54) **WINE STOPPER RACK**

(76) Inventor: **Kelli Sanborn Dulin**, Easley, SC (US)

(**) Term: **14 Years**

(21) Appl. No.: **29/361,594**

(22) Filed: **May 13, 2010**

(51) **LOC (9) Cl.** **07-06**

(52) **U.S. Cl.** **D7/701**

(58) **Field of Classification Search** D7/600.1-600.4,
D7/701-708, 619.1, 637-642; D6/514, 569,
D6/469; 211/74, 71.01, 70.6, 70.7; 248/311.2,
248/311.3

See application file for complete search history.

(56) **References Cited**

U.S. PATENT DOCUMENTS

| | | | | |
|--------------|--------|-------------|-------|--------|
| D198,098 S * | 4/1964 | Kaneko | | D6/569 |
| D201,695 S * | 7/1965 | Bieger | | D7/705 |
| D247,533 S * | 3/1978 | Noyes | | D6/514 |
| D300,290 S * | 3/1989 | Moberg | | D7/701 |
| D323,447 S * | 1/1992 | Booz | | D7/705 |
| D381,515 S * | 7/1997 | Haynes | | D3/313 |
| D526,169 S * | 8/2006 | Zafropoulos | | D7/705 |
| D551,036 S * | 9/2007 | Tomaszewski | | D7/701 |

| | | | | |
|-------------------|---------|--------------------|-------|--------|
| D594,293 S * | 6/2009 | Hassold | | D7/701 |
| D601,865 S * | 10/2009 | Castellucci et al. | | D7/701 |
| 2004/0089621 A1 * | 5/2004 | Gangloff | | 211/74 |

OTHER PUBLICATIONS

“Wooden Holder Set of Four Wine Stoppers.” www.goldia.com/proddetail.asp?prod=JGP3430.

“Set of Four Fleur De Lis Wine Stopper Corks with Rack.” www.centralchef.com/storefrontprofiles/processfeed.aspx?sfid=123094&i=242594741&mpid=7714&dfid=1.

“Wooden Holder Set of Four Wine Stoppers.” www.goldia.com/proddetail.asp?prod=JGP3429.

* cited by examiner

Primary Examiner — Terry A Wallace

(74) *Attorney, Agent, or Firm* — Thomas L. Moses; Monahan & Moses, LLC

(57) **CLAIM**

The ornamental design for the wine stopper rack, as shown and described.

DESCRIPTION

FIG. 1 is a front perspective view of my design for a wine stopper rack showing the characteristic feature of the design.

FIG. 2 is a top view thereof.

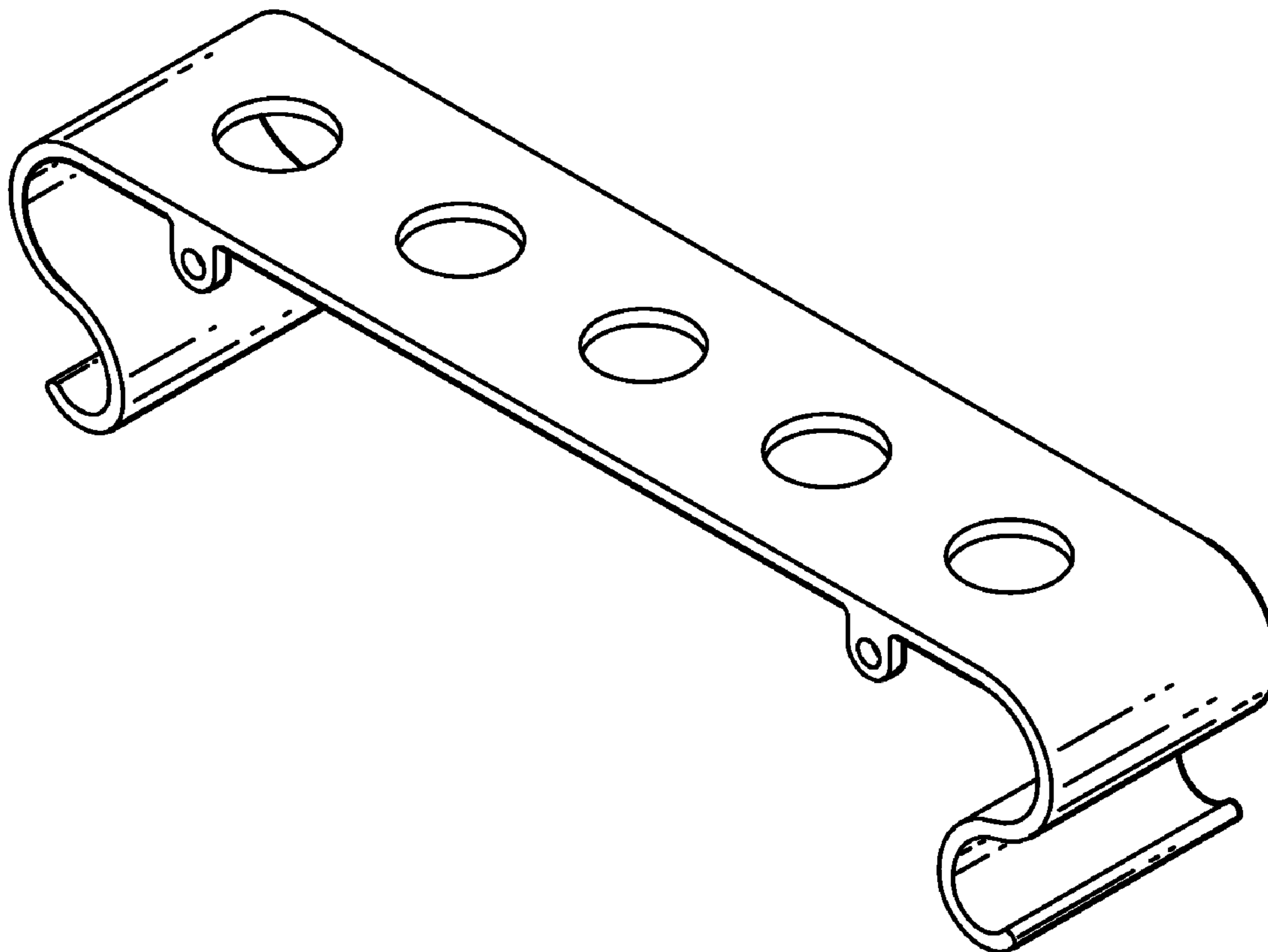
FIG. 3 is a front view thereof.

FIG. 4 is a left side view thereof.

FIG. 5 is a bottom view thereof; and,

FIG. 6 is a right side view thereof.

1 Claim, 3 Drawing Sheets



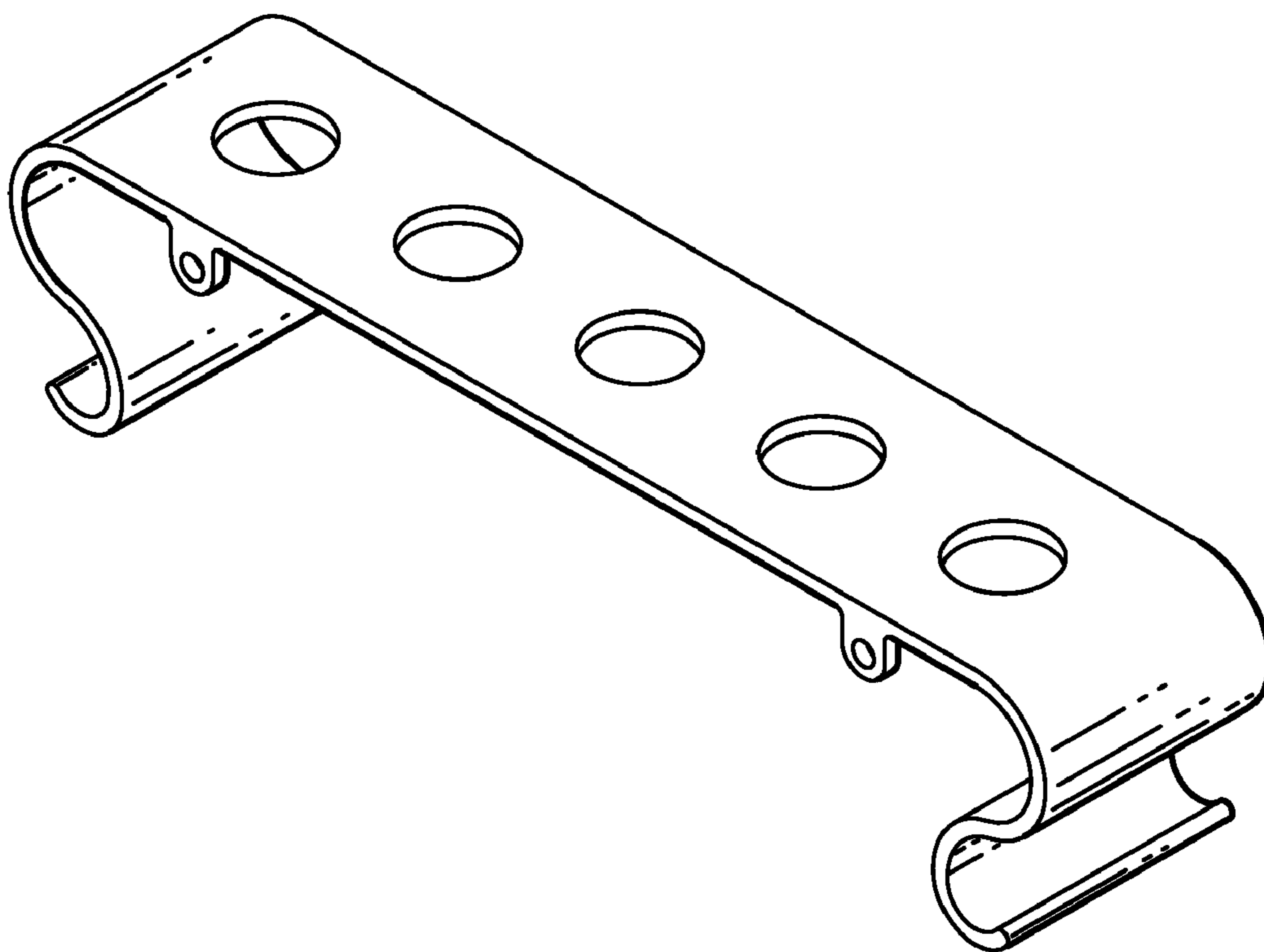


FIG. -1-

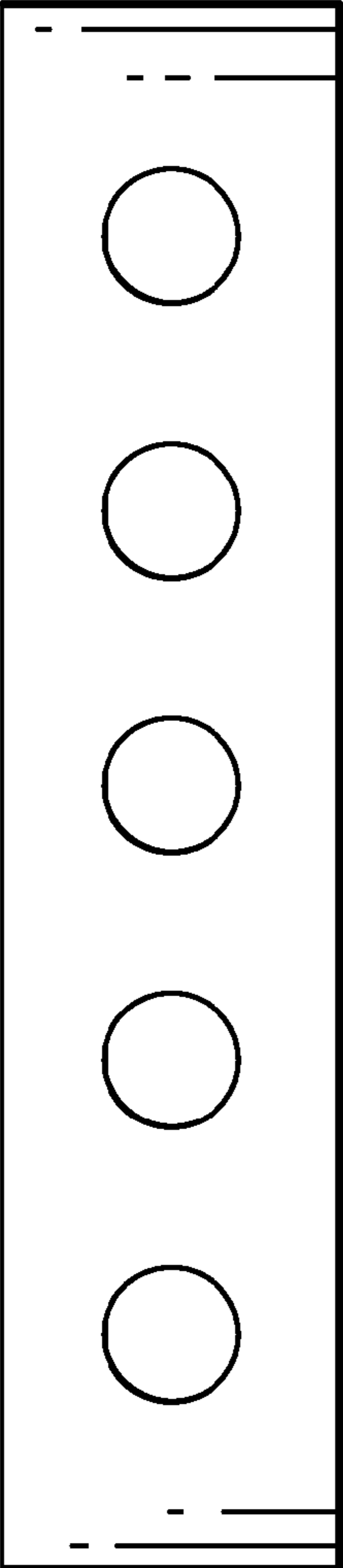


FIG. 2

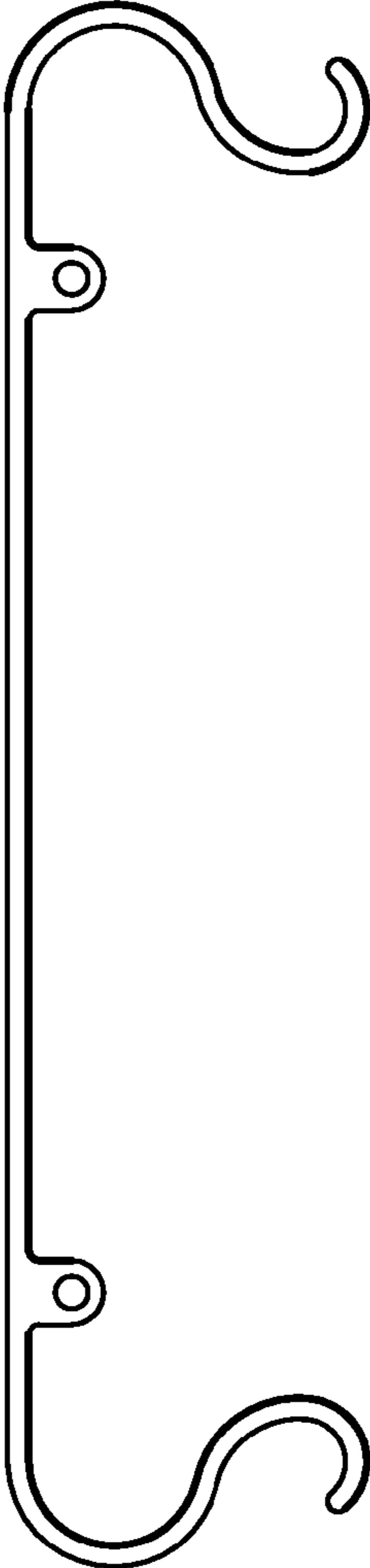


FIG. 3

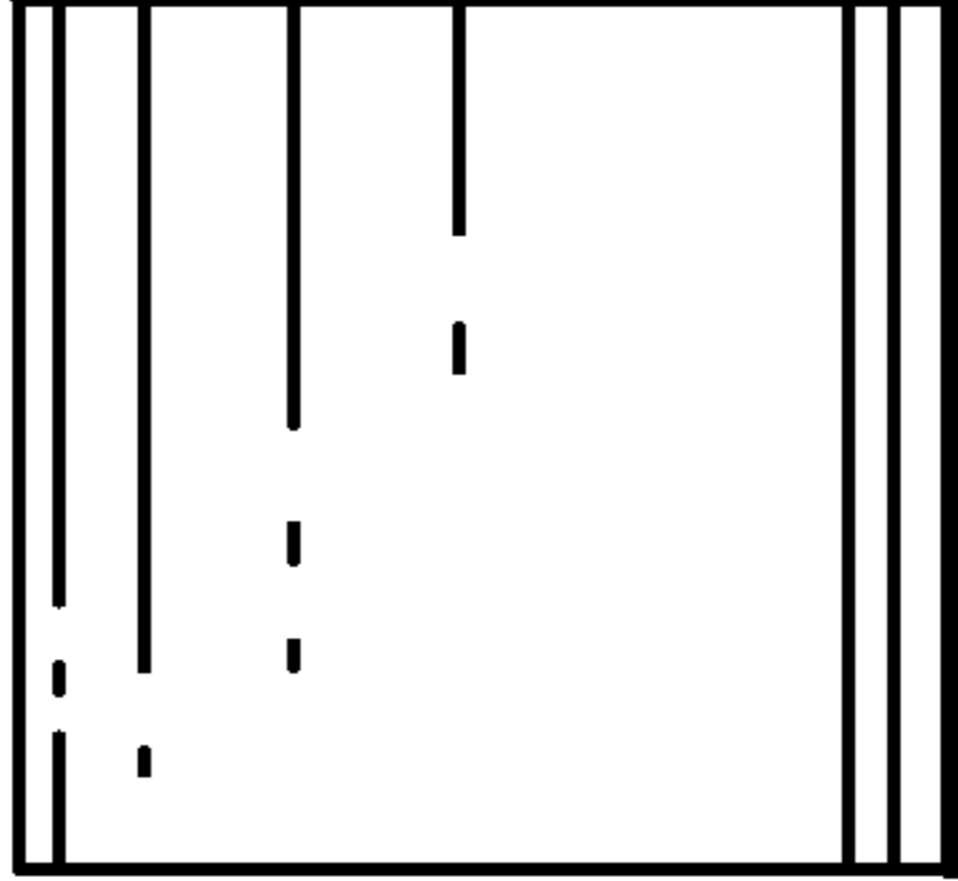


FIG. 4

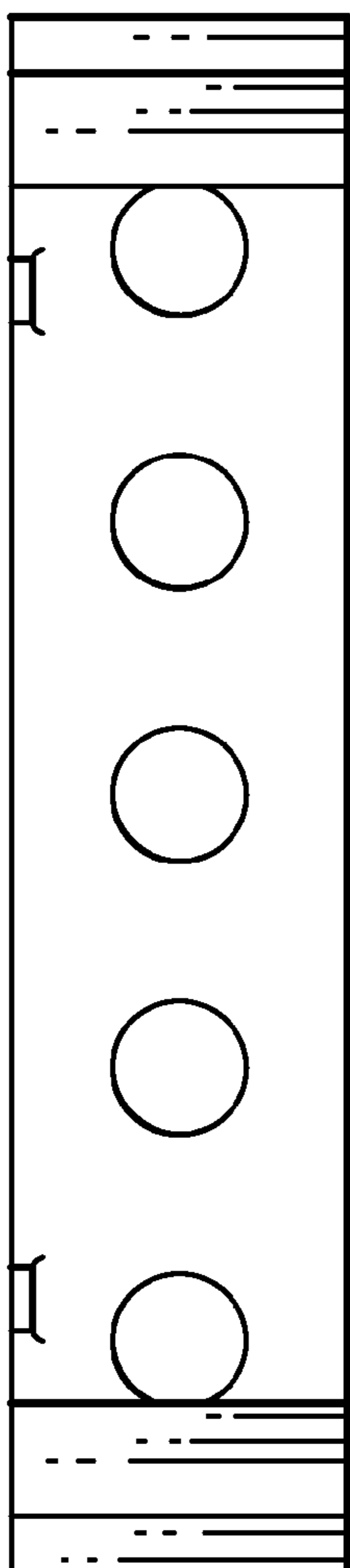


FIG. 5-

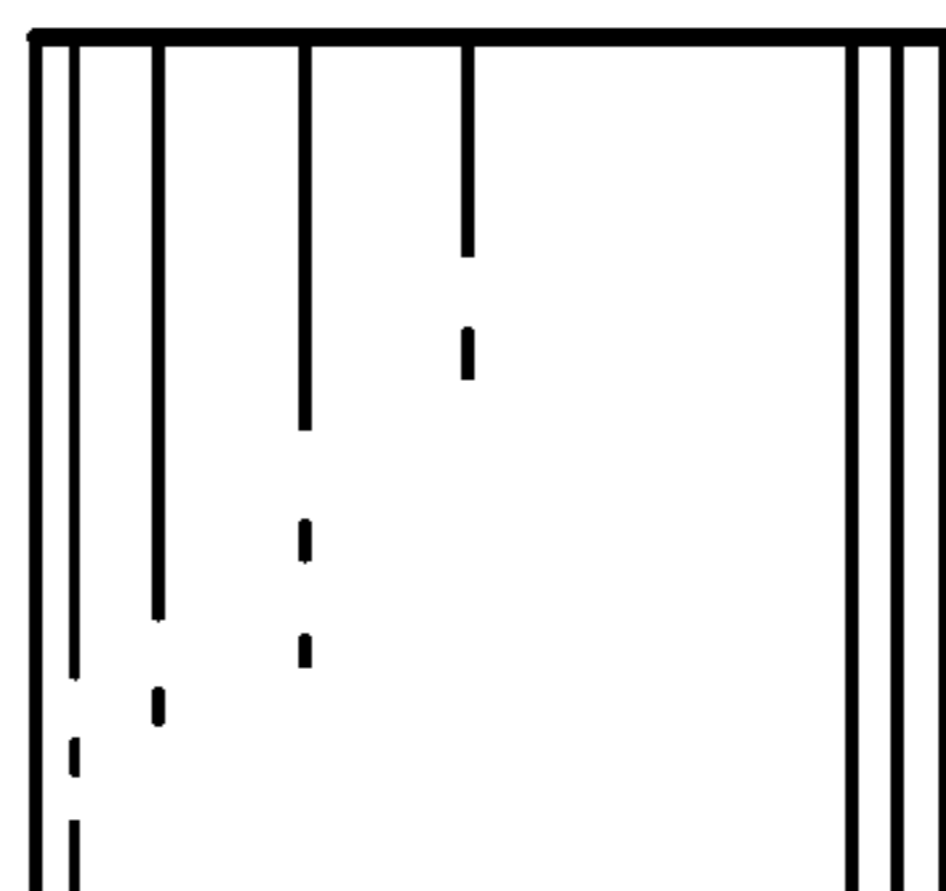


FIG. 6-