



US00D636641S

(12) **United States Design Patent**
Smyers

(10) **Patent No.:** **US D636,641 S**
(45) **Date of Patent:** **** Apr. 26, 2011**

(54) **BOWL AND LID**

(75) Inventor: **Justin Smyers**, Newport Beach, CA
(US)

(73) Assignee: **Snapware Corporation**, Mira Loma,
CA (US)

(**) Term: **14 Years**

(21) Appl. No.: **29/358,174**

(22) Filed: **Mar. 23, 2010**

(51) **LOC (9) Cl.** **07-01**

(52) **U.S. Cl.** **D7/629**

(58) **Field of Classification Search** D7/500,
D7/538, 542-543, 545, 586-587, 601-603,
D7/612, 615, 629-630; D3/273, 302; 220/573.1,
220/660, 669-673, 675, 912, 915.1; D9/500,
D9/502-503, 424-425, 428-429
See application file for complete search history.

(56) **References Cited**

U.S. PATENT DOCUMENTS

2,816,589	A *	12/1957	Tupper	220/305
D272,213	S *	1/1984	Daenen	D7/523
D332,897	S *	2/1993	Bucher et al.	D7/629
D383,646	S *	9/1997	Jeppesen et al.	D7/584
D394,189	S *	5/1998	Reynaert et al.	D7/584
D488,031	S *	4/2004	Kim	D7/629
D523,296	S *	6/2006	Kim	D7/629

D565,907	S *	4/2008	de Groote et al.	D7/601
D575,115	S *	8/2008	Zimmerman	D7/629
D604,119	S *	11/2009	Kim	D7/629
D606,813	S *	12/2009	Kim	D7/629

* cited by examiner

Primary Examiner — Charles A Rademaker

Assistant Examiner — Dana L Sipos

(74) *Attorney, Agent, or Firm* — Larry K. Roberts

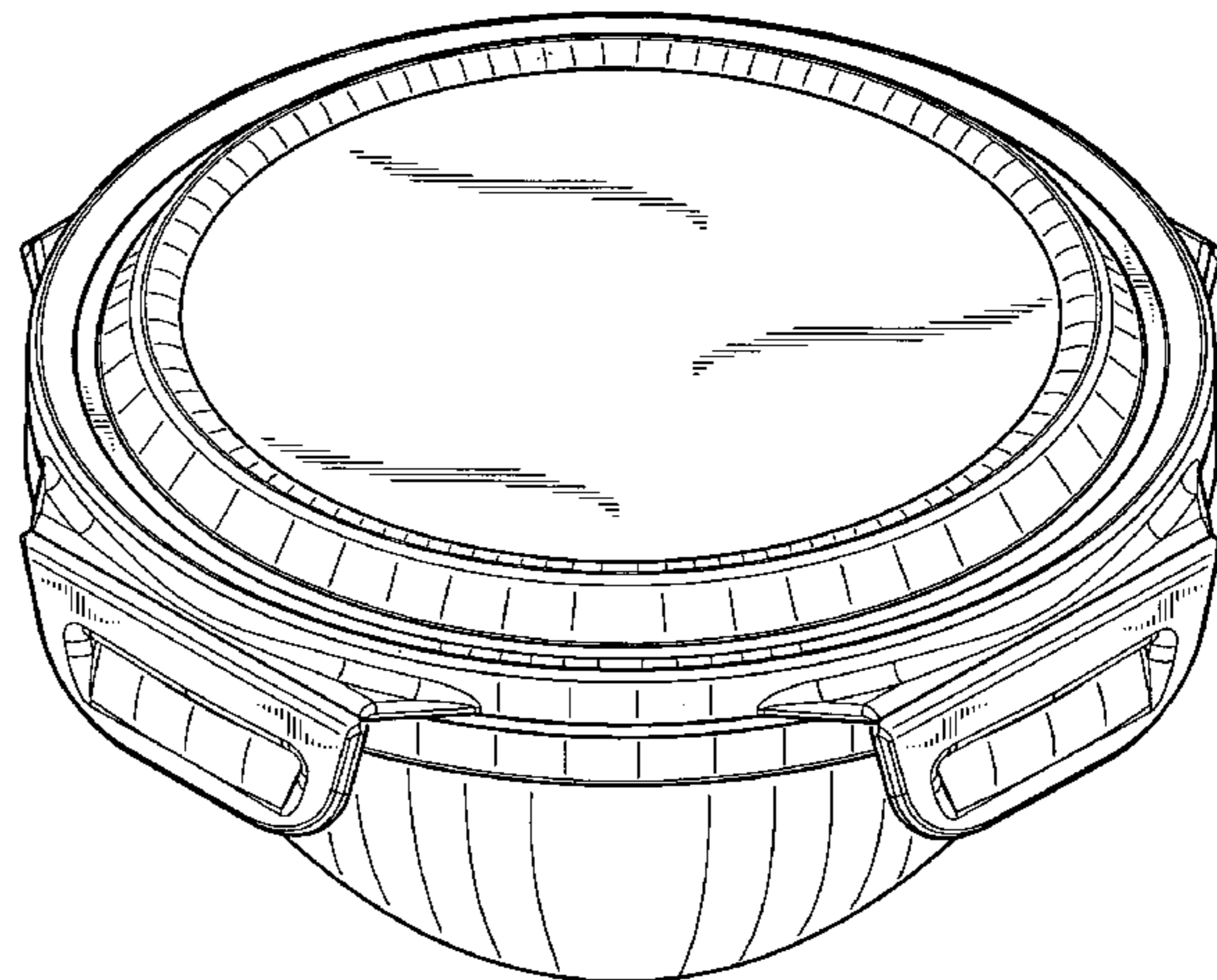
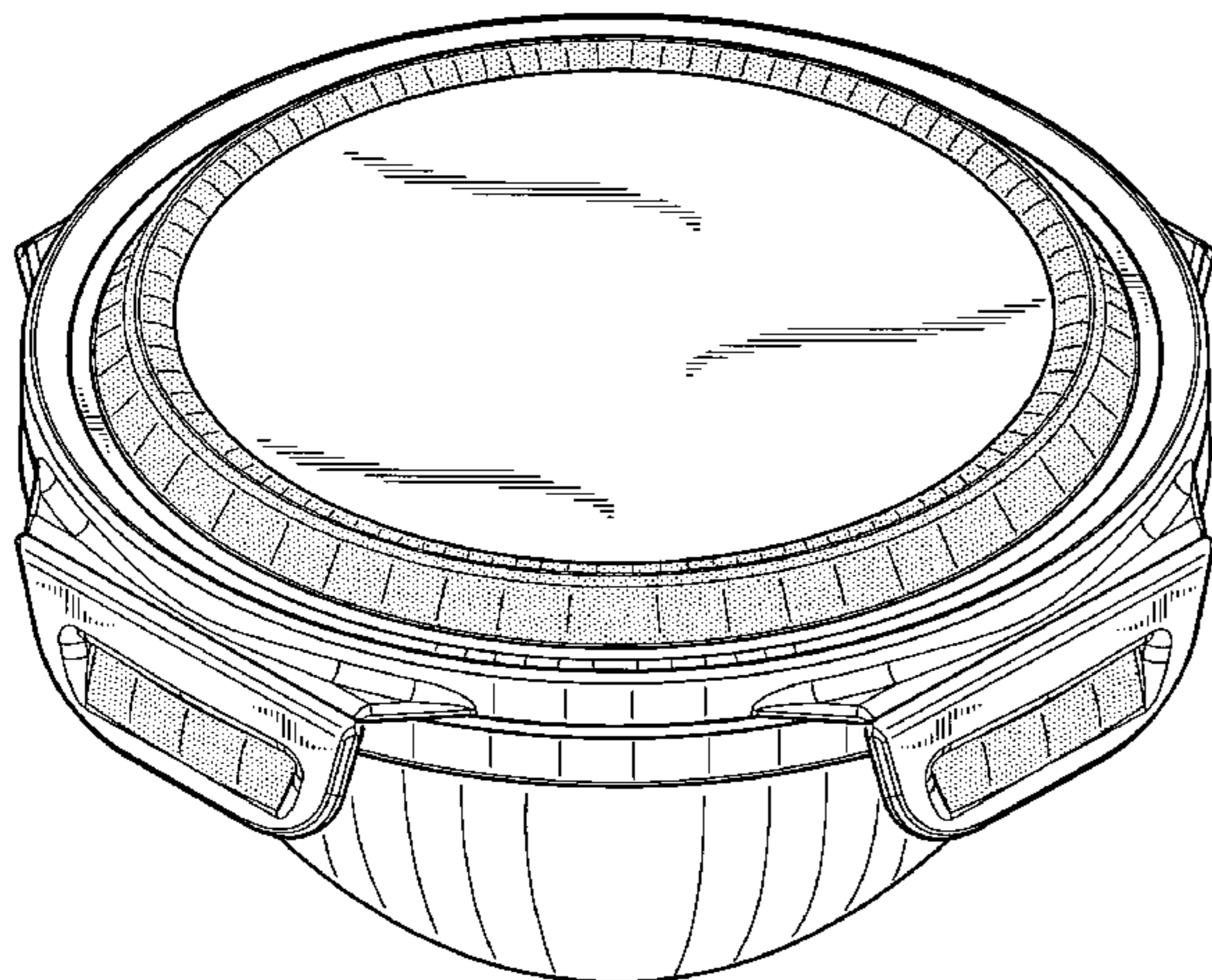
(57) **CLAIM**

The ornamental design for a bowl and lid, as shown and described.

DESCRIPTION

FIG. 1 is a perspective view of a bowl and lid showing my new design;
FIG. 2 is a top plan view thereof;
FIG. 3 is a bottom plan view thereof;
FIG. 4 is a front elevation view thereof, the left side, right side and rear elevation views being identical;
FIG. 5 is a perspective view of a modified embodiment of the design shown in FIGS. 1 through 4;
FIG. 6 is a top plan view thereof;
FIG. 7 is a bottom plan view thereof; and,
FIG. 8 is a front elevation view thereof, the left side, right side and rear elevation views being identical.

1 Claim, 8 Drawing Sheets



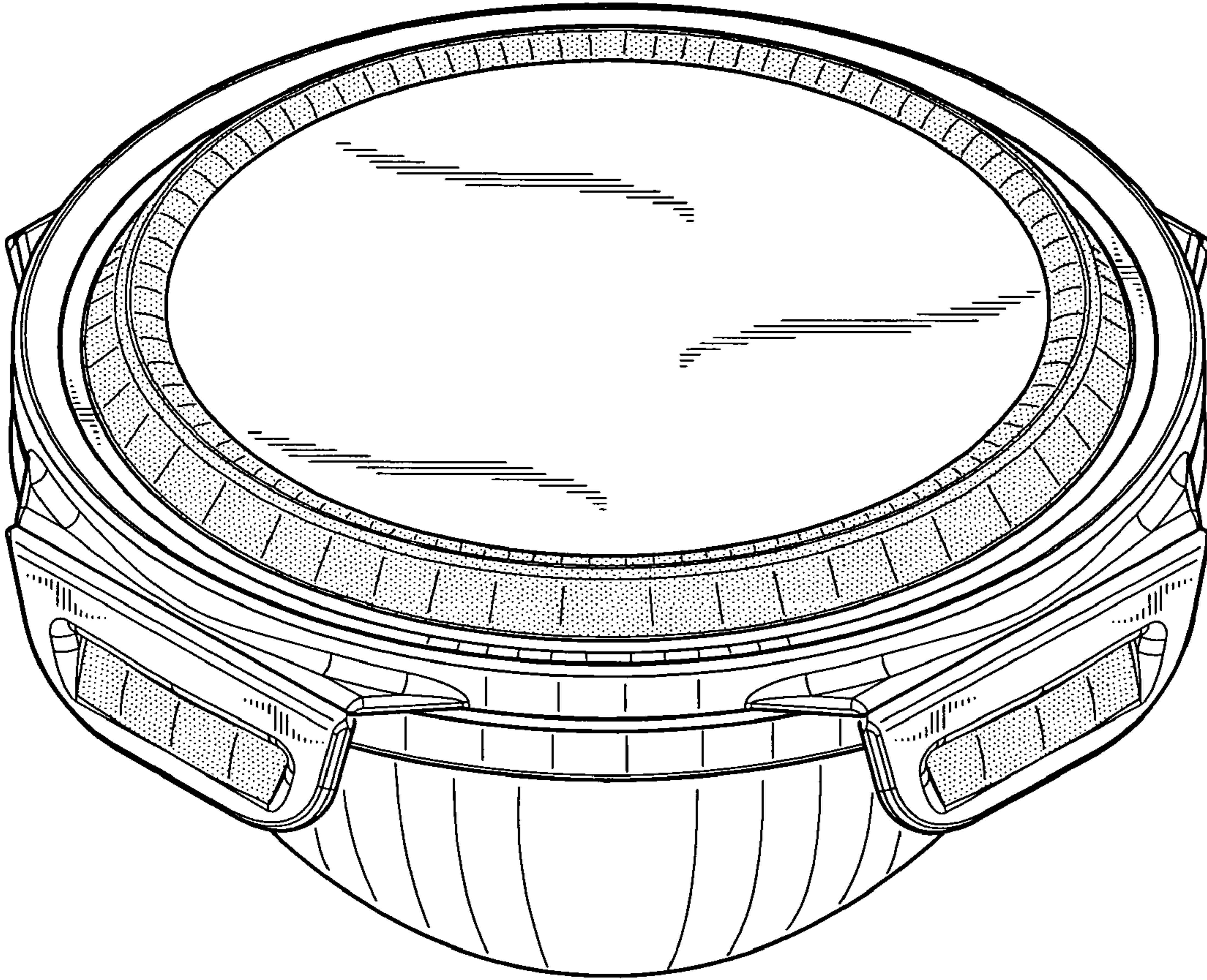


FIG. 1

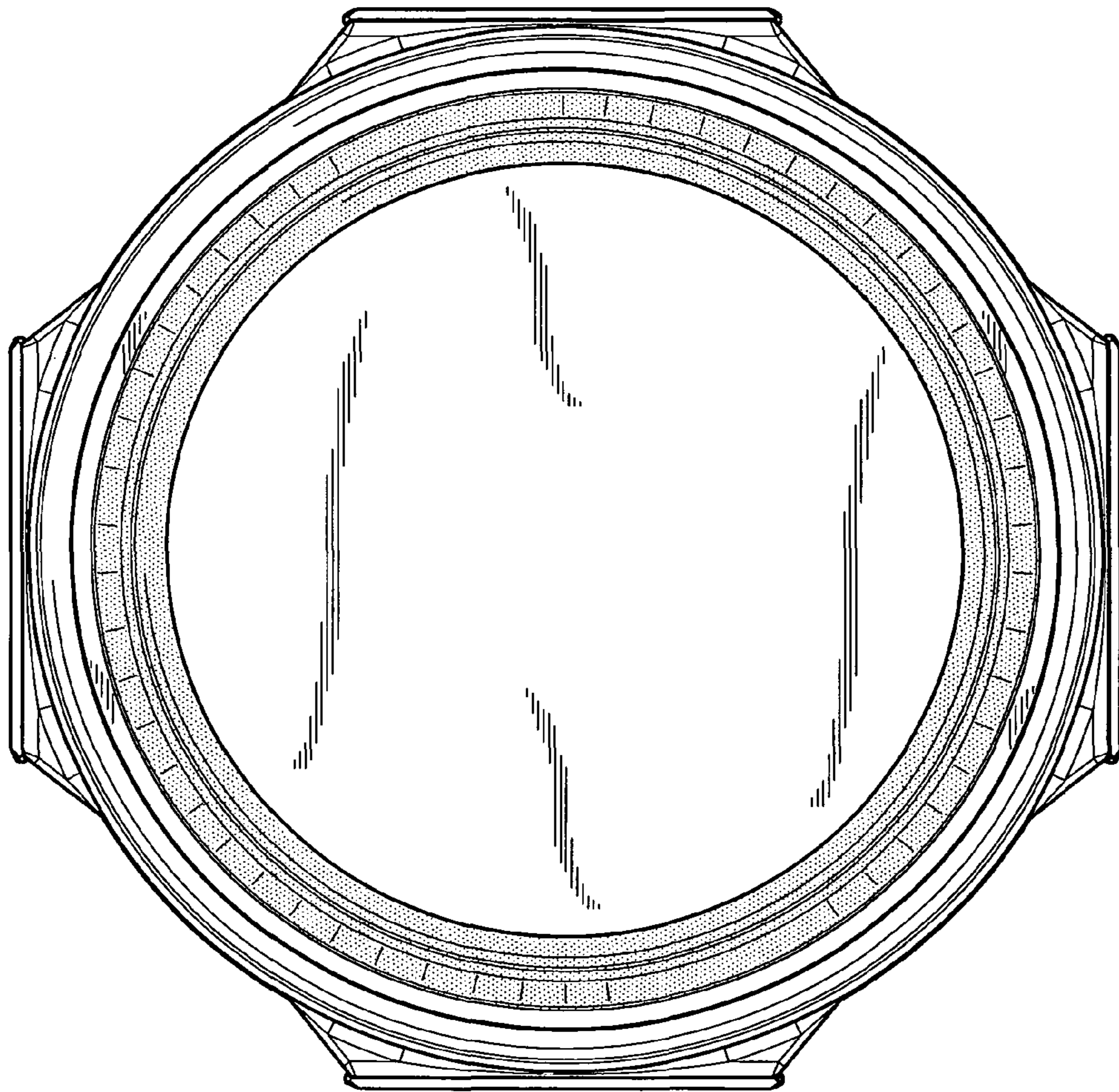


FIG. 2

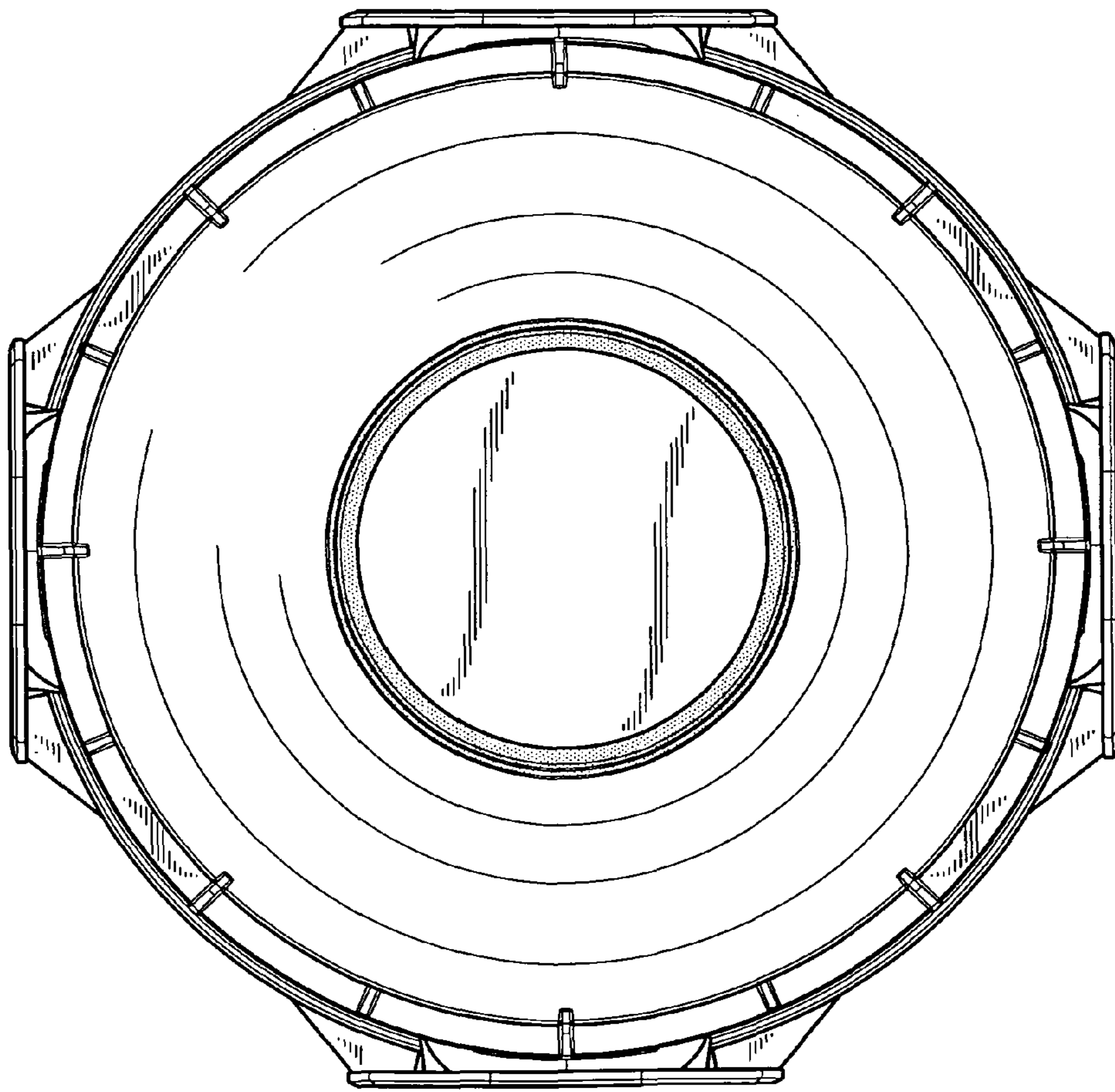


FIG. 3

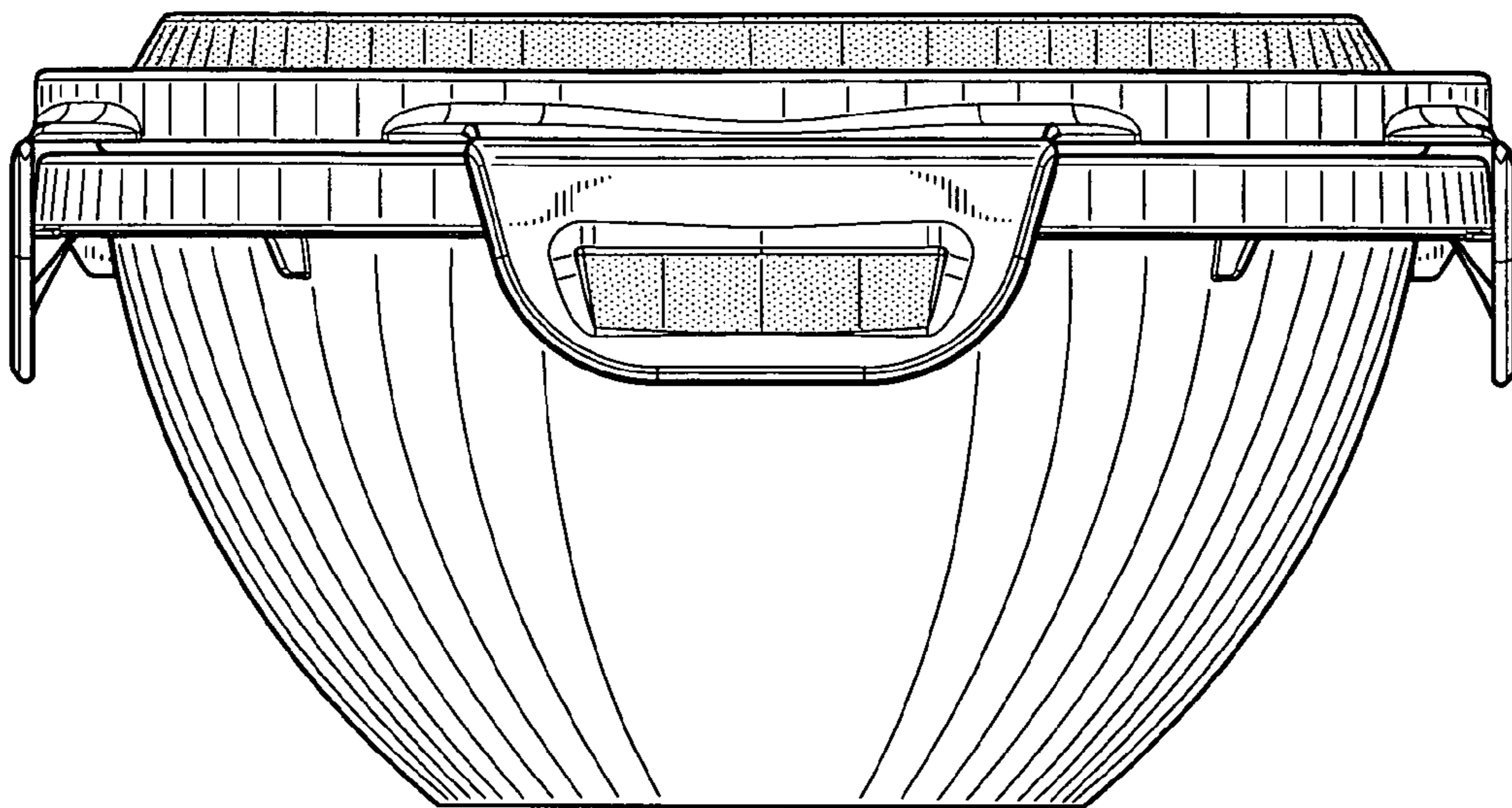


FIG. 4

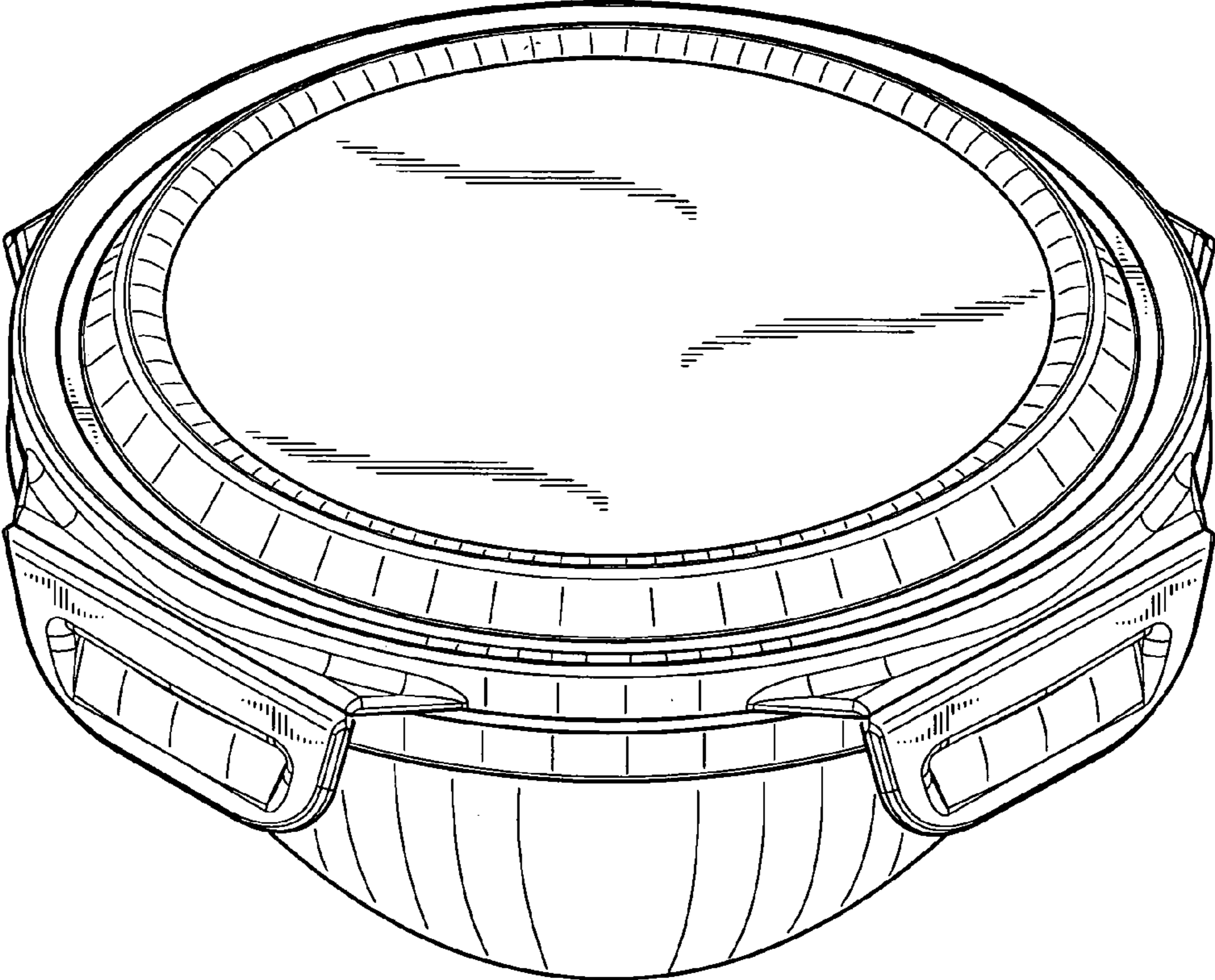


FIG. 5

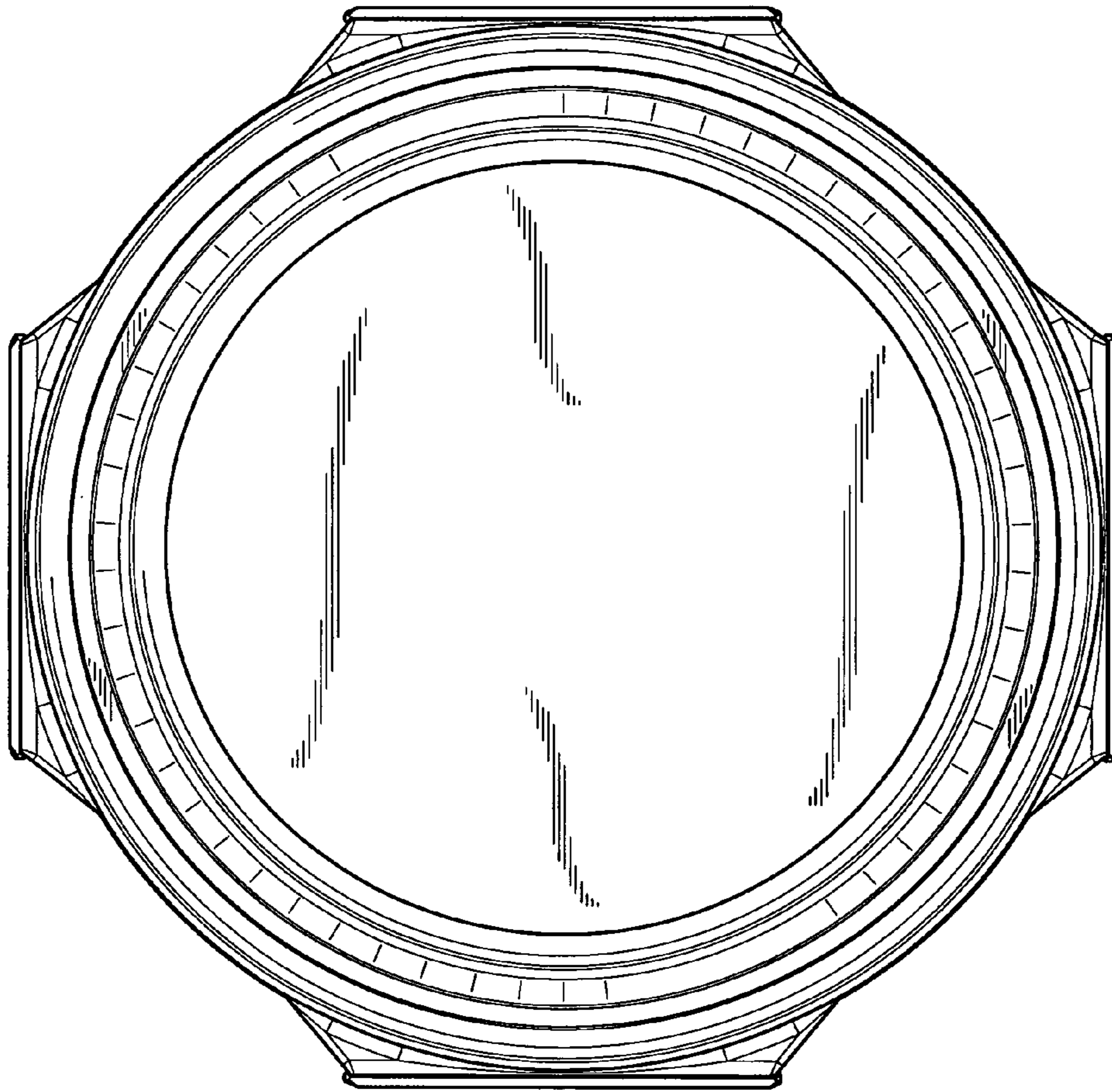


FIG. 6

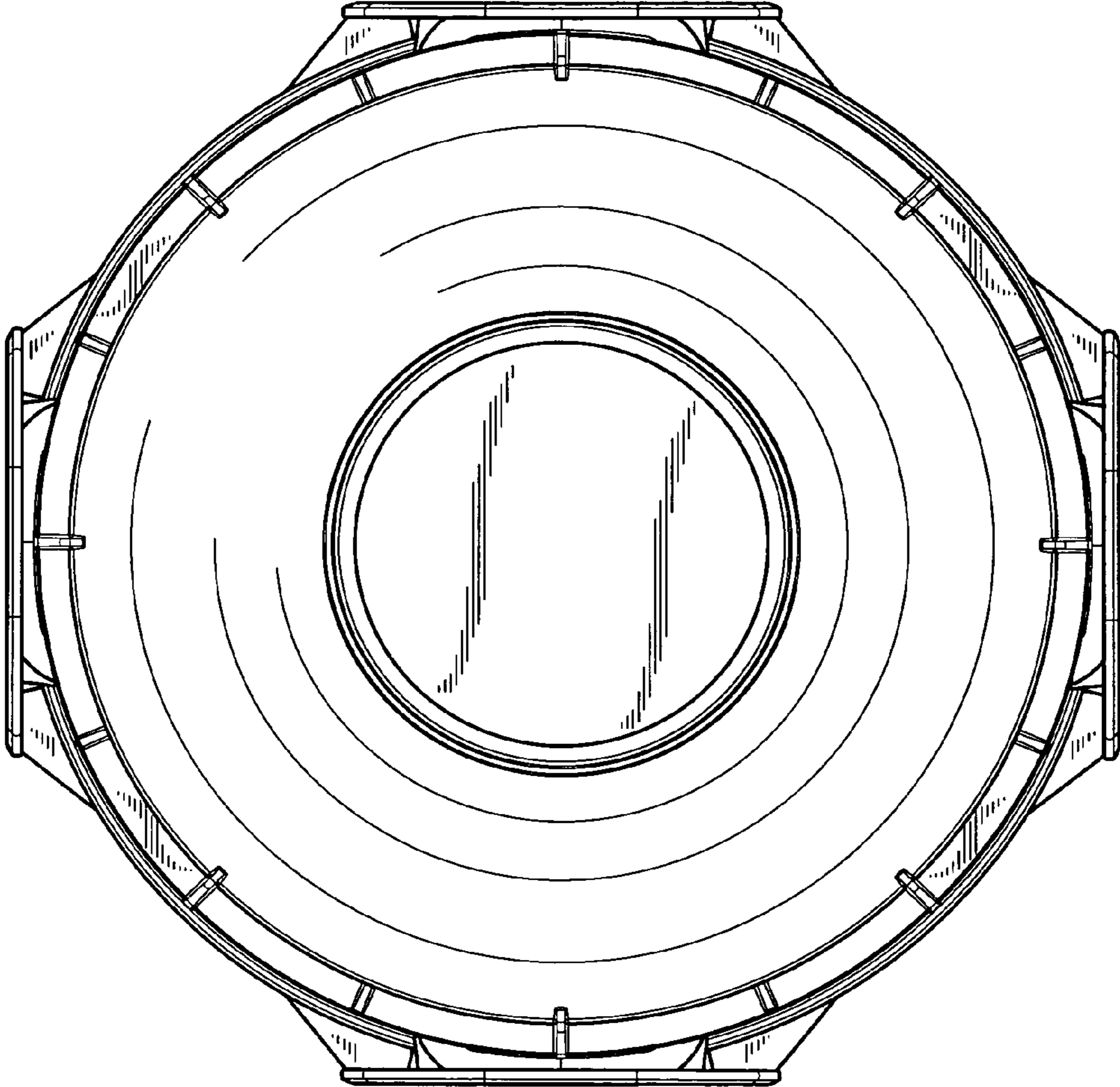


FIG. 7

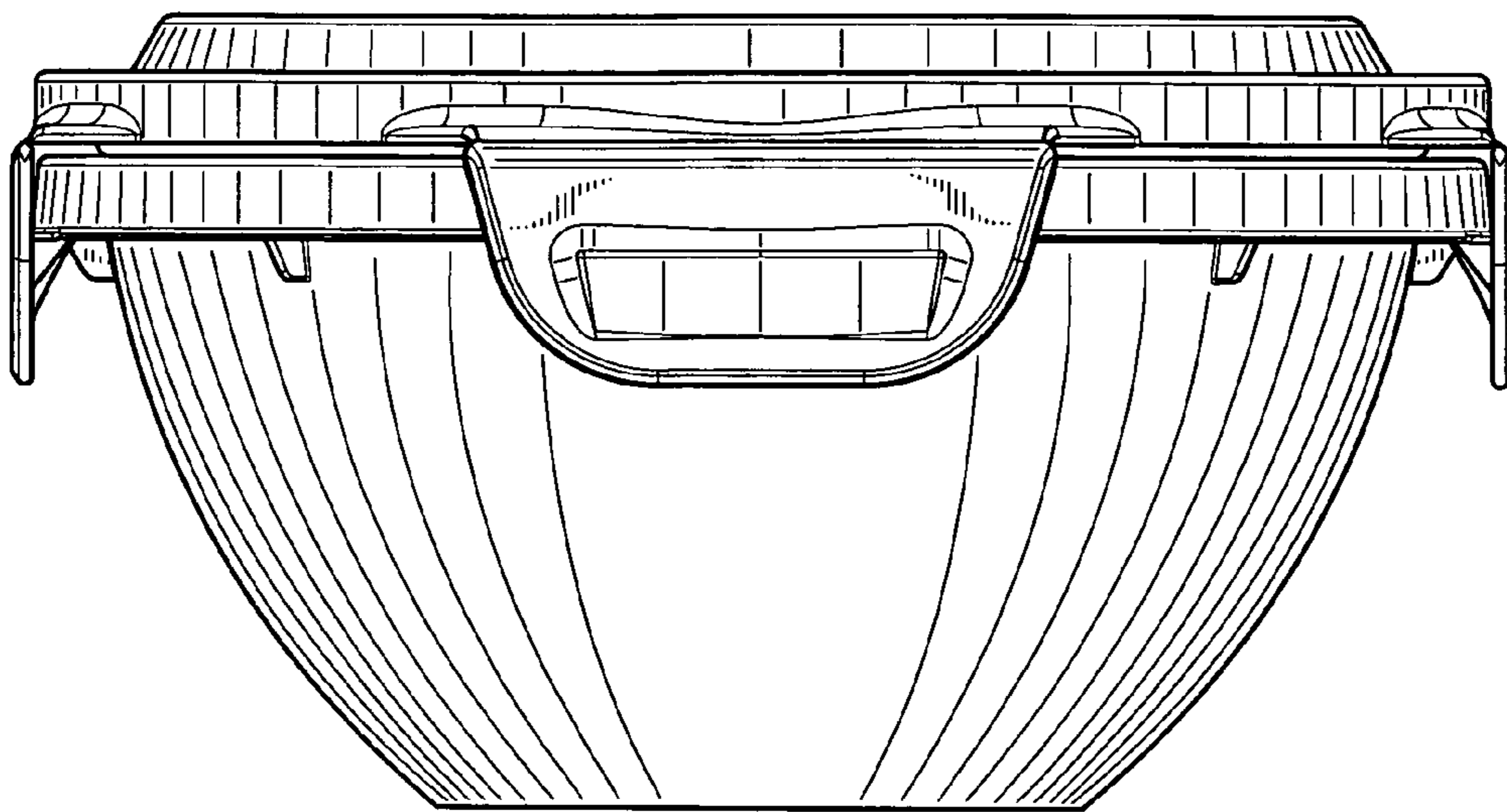


FIG. 8